

## CODE 15 - TINEL-LOCK BACKSHELL

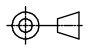


**TXR15AB00-1608AI-**

SERIES \_\_\_\_\_  
 TXR: RING INCLUDED  
 (SEE RING OPTION)  
 TX: RING NOT INCLUDED  
 CONNECTOR INTERFACE \_\_\_\_\_  
 MATERIAL \_\_\_\_\_  
 REFER TO CH00-0250-008  
 FINISH \_\_\_\_\_  
 REFER TO CH00-0250-008  
 ANGLE \_\_\_\_\_  
 DASH NUMBER (TABLE 1) \_\_\_\_\_  
 ENTRY SIZE (TABLE 2) \_\_\_\_\_  
 RING OPTION \_\_\_\_\_  
 AI - TO SUIT SINGLE BRAID  
 BI - TO SUIT DOUBLE BRAID  
 FOR TX, LEAVE BLANK  
 MODIFICATION CODE \_\_\_\_\_  
 REFER TO CH00-0250-008 (2)

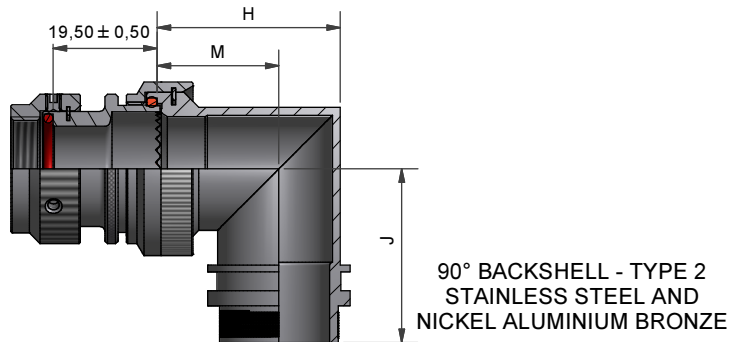
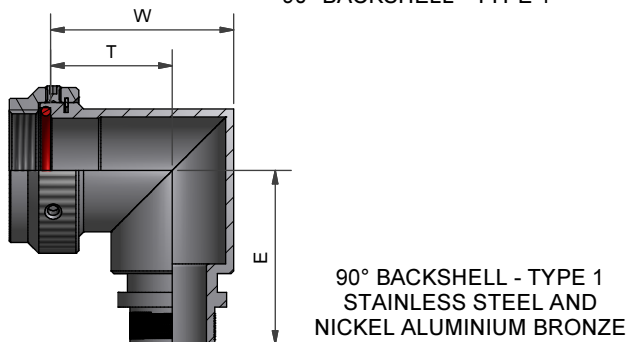
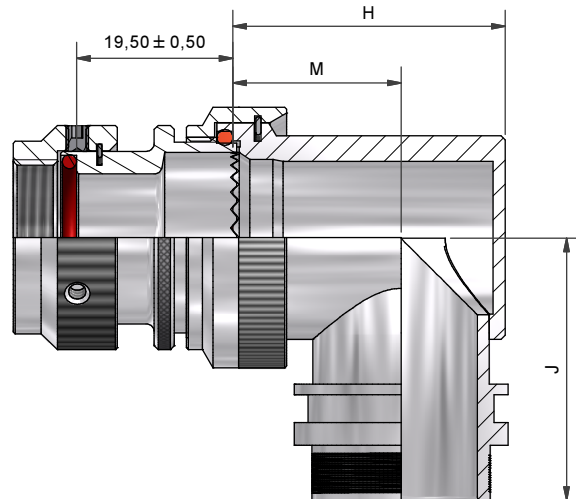
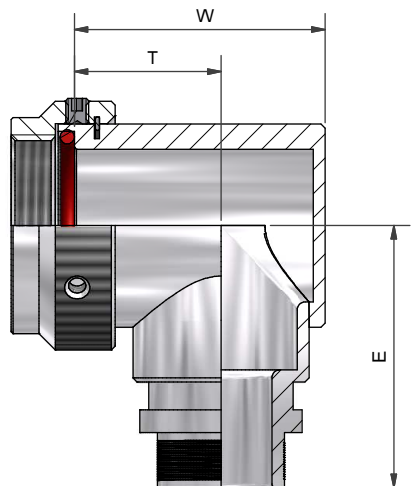
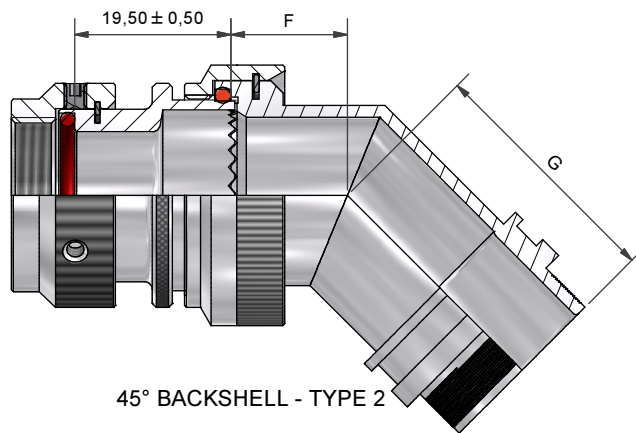
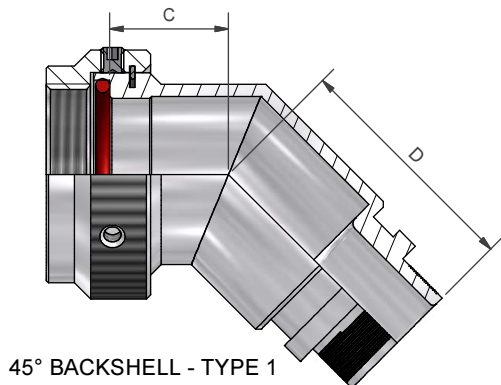
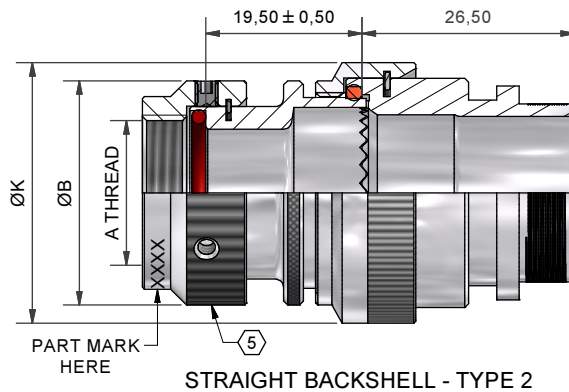
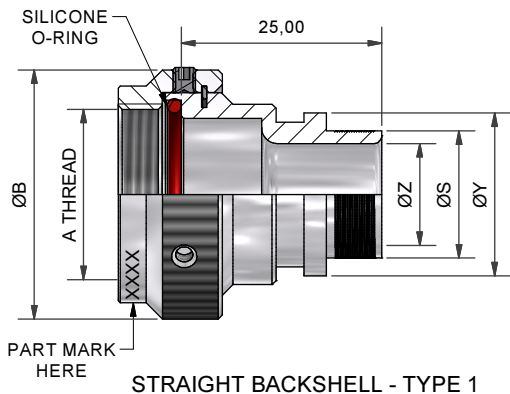
### NOTES:

1. THIS PRODUCT IS DESIGNED TO TERMINATE A BRAIDED CABLE SHIELD AND A HEAT SHRINKABLE LIPPED BOOT TO A CONNECTOR.
- (2) FOR ADDITIONAL DIMENSIONS, ORDERING INFORMATION AND MODIFICATIONS, SEE CH00-0250-008.
- (3) SEE DRAWING TR FOR DETAIL ON TINEL-LOCK RING, RINGS ARE DESIGNED TO BE HEATED ELECTRICALLY, ALL RINGS ARE MARKED WITH THERMOCHROMIC PAINT WHICH CHANGES COLOUR WHEN INSTALLATION TEMPERATURE IS REACHED.
4. BACKSHELL TO BE PERMANENTLY MARKED/BAGGED AND LABELLED WITH CODE IDENTIFICATION NUMBER AND PART NUMBER LESS RING DESIGNATOR. (e.g. 06090-TXR15AB00-1206). RING SHALL BEAR NO MARKING.
- (5) IF MAX ENTRY IS EXCEEDED, A 2 PIECE BACKSHELL ASSEMBLY (TYPE 2) IS SUPPLIED.
6. BACKSHELL MATES TO MIL-C-5015, SOLDER CONTACT, MS3100, MS3101, MS3106, MS3107 AND MS3108 WITH ENDBELL.
- (7) ANTI-ROTATIONAL SET SCREW, THREE THREADED HOLES  $120^\circ \pm 5^\circ$  APART, SINGLE MATING SET SCREW SUPPLIED.

If this document is printed it becomes uncontrolled. Check for the latest revision

DRAWN	K.WINCZURA	DATE	04/12/2014	 3RD ANGLE PROJECTION NOT TO SCALE UNLESS OTHERWISE SPECIFIED ALL DIMENSIONS IN MILLIMETRES GENERAL TOL LINEAR +/-0.25MM ANGULAR +/- 1°	TITLE:	 <b>TINEL-LOCK BACKSHELL</b>		
CHECKED		DATE	04/12/2014					
APPROVED	K.SHEPPARD	DATE	11/12/2014					
APPROVED	H.SMITH	DATE	07/07/2015					
REVISIONS					ASSY USED ON:	 <b>MIL-C-5015 MS "V" THREAD END BELLS</b>		
LTR	DESCRIPTION	DATE	APPROVED					
D	REVISED PER ECO-15-002398	17/02/2015	H.SMITH					
E	REVISED PER ECO-15-009981	07/07/2015	H.SMITH					
TE CAGE CODE: 06090 POLAMCO/TE CAGE CODE: U5792					TE CONNECTIVITY - POLAMCO LTD RESERVES THE RIGHT TO AMEND THIS DRAWING AND THE INFORMATION SET FORTH HEREON AT ANY TIME. USERS SHOULD INDEPENDENTLY EVALUATE THE SUITABILITY OF THE PRODUCT FOR THEIR APPLICATION.	DRAWING NO: <b>TXR15</b>	DRAWING REV: <b>E</b>	SHT <b>1</b>

IF MAX ENTRY IS EXCEEDED BACKSHELL WILL BE SUPPLIED AS TYPE 2



DRAWN	K.WINCZURA	DATE	04/12/2014
CHECKED		DATE	04/12/2014
APPROVED	K.SHEPPARD	DATE	11/12/2014
APPROVED	H.SMITH	DATE	07/07/2015
REVISIONS			
LTR	DESCRIPTION	DATE	APPROVED
D	REVISED PER ECO-15-002398	17/02/2015	H.SMITH
E	REVISED PER ECO-15-009981	07/07/2015	H.SMITH

TITLE: TINEL-LOCK BACKSHELL

ASSY USED ON: MIL-C-5015 MS "V" THREAD END BELLS



TE CAGE CODE: 06090  
POLAMCO/TE CAGE CODE: U5792

TE CONNECTIVITY - POLAMCO LTD RESERVES THE RIGHT TO AMEND THIS DRAWING AND THE INFORMATION SET FORTH HEREON AT ANY TIME. USERS SHOULD INDEPENDENTLY EVALUATE THE SUITABILITY OF THE PRODUCT FOR THEIR APPLICATION.

DRAWING NO:	DRAWING REV:	SHT
TXR15	E	2

THESE DIMENSIONS APPLY IF  
BACKSHELL IS STAINLESS STEEL  
OR NICKEL ALUMINIUM BRONZE

TABLE 1

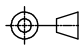


ORDER NUMBER	SHELL SIZE	A THREAD	ØB MAX	MAX ENTRY	C ±0,5	D ±0,5	W ±0,5	T ±0,5	E ±0,5	W ±0,5	T ±0,5	E ±0,5
03	8S & 10S	1/2-28UNEF	21,5	05	12,6	27,5	21,7	13,0	28,0	22,2	13,0	28,2
04	10SL, 12 & 12S	5/8-24UNEF	25,0	07	14,0	28,0	24,9	14,4	29,5	25,4	14,4	29,7
06	14 & 14S	3/4-20UNEF	28,0	08	15,0	29,0	27,9	15,9	31,0	28,4	15,9	31,2
08	16 & 16S	7/8-20UNEF	31,1	10	15,6	29,7	31,3	18,3	32,7	31,8	18,3	32,9
10	18	1-20UNEF	35,0	12	16,3	30,5	34,3	19,3	34,3	34,8	19,3	34,3
12	20 & 22	1 3/16-18UNEF	39,0	16	17,2	30,9	40,4	22,9	35,8	40,9	22,9	36,1
16	24 & 28	1 7/16-18UNEF	45,2	20	17,9	32,1	44,0	24,0	38,9	44,5	24,0	39,1
20	32	1 3/4-18UNS	54,9	24	24,3	32,1	50,3	27,3	42,8	50,8	27,3	42,8
24	36	2-18UNS	62,0	24	26,9	29,3	57,8	31,1	46,8	58,3	31,1	46,8
28	40	2 1/4-16UN	68,6	24	31,8	30,7	64,4	34,5	51,0	64,9	34,5	51,0

THESE DIMENSIONS APPLY IF  
BACKSHELL IS STAINLESS STEEL  
OR NICKEL ALUMINIUM BRONZE

TABLE 2

ENTRY SIZE	ØZ MIN	ØS	ØY ±0,3	ØK MAX	F ±0,5	G ±0,5	H ±0,5	M ±0,5	J ±0,5	H ±0,5	M ±0,5	J ±0,5
04	6,35	9,49 +/-0,04	14,00	NA	NA	NA	NA	NA	NA	NA	NA	NA
05	7,92	11,06 +/-0,04	15,50	NA	NA	NA	NA	NA	NA	NA	NA	NA
06	9,53	12,66 +/-0,04	17,10	21,0	12,5	27,5	24,0	15,5	27,95	24,3	17,2	28,2
07	11,10	14,21 +/-0,07	18,70	21,0	12,5	27,5	24,0	15,5	27,95	24,3	17,2	28,2
08	12,70	15,81 +/-0,07	20,30	24,5	13,1	28,0	27,0	17,0	29,45	28,3	19,4	29,7
10	15,88	18,96 +/-0,08	23,50	29,0	13,5	29,0	31,0	19,5	31,00	31,1	21,0	31,2
12	19,05	22,14 +/-0,08	26,70	32,5	14,5	29,7	34,0	21,0	32,70	34,2	22,8	32,9
14	22,23	25,30 +/-0,08	29,80	35,5	15,5	30,5	35,0	20,0	34,25	38,5	25,3	34,5
16	25,40	28,48 +/-0,08	33,00	37,0	16,1	30,9	38,0	21,5	35,80	40,7	26,1	36,1
18	28,58	31,65 +/-0,08	36,20	40,0	16,5	31,1	42,0	24,0	37,40	43,7	27,6	37,6
20	31,75	34,83 +/-0,08	39,40	43,5	17,0	32,1	45,0	25,5	38,90	46,4	29,1	39,1
22	34,93	37,98 +/-0,08	42,50	48,5	18,5	35,3	54,5	31,0	42,00	50,0	31,0	42,0
24	38,10	41,15 +/-0,08	45,70	52,1	21,9	38,1	58,0	33,0	46,00	53,5	33,0	46,0

If this document is printed it becomes uncontrolled. Check for the latest revision

DRAWN	K.WINCZURA	DATE	04/12/2014	 3RD ANGLE PROJECTION NOT TO SCALE	<b>TITLE:</b>  <b>TINEL-LOCK BACKSHELL</b>	 Polamco		
CHECKED		04/12/2014						
APPROVED	K.SHEPPARD	11/12/2014	UNLESS OTHERWISE SPECIFIED ALL DIMENSIONS IN MILLIMETRES GENERAL TOL LINEAR +/-0,25MM ANGULAR +/- 1°					
APPROVED	H.SMITH	07/07/2015						
<b>REVISIONS</b>					<b>ASSY USED ON:</b>  <b>MIL-C-5015 MS "V" THREAD END BELLS</b>	 TE connectivity		
LTR	DESCRIPTION	DATE	APPROVED					
D	REVISED PER ECO-15-002398	17/02/2015	H.SMITH					
E	REVISED PER ECO-15-009981	07/07/2015	H.SMITH					
TE CAGE CODE: 06090 POLAMCO/TE CAGE CODE: U5792					TE CONNECTIVITY - POLAMCO LTD RESERVES THE RIGHT TO AMEND THIS DRAWING AND THE INFORMATION SET FORTH HEREON AT ANY TIME. USERS SHOULD INDEPENDENTLY EVALUATE THE SUITABILITY OF THE PRODUCT FOR THEIR APPLICATION.	DRAWING NO: <b>TXR15</b>	DRAWING REV: <b>E</b>	SHT <b>3</b>