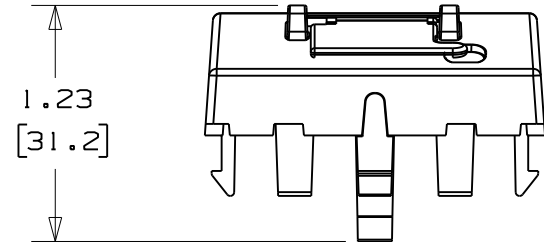
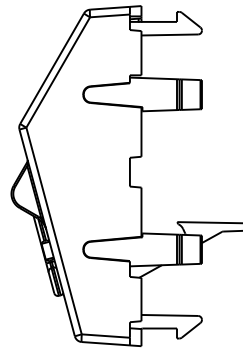
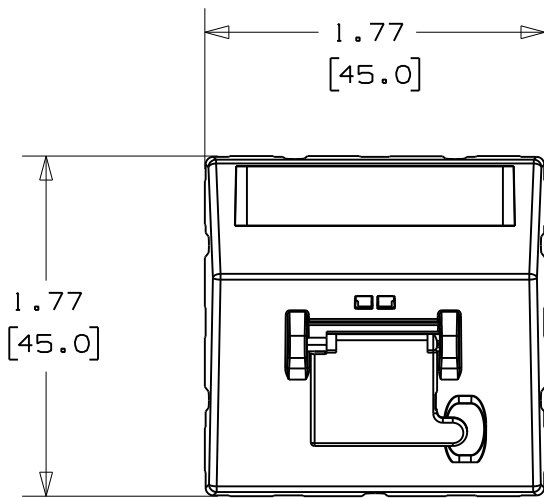


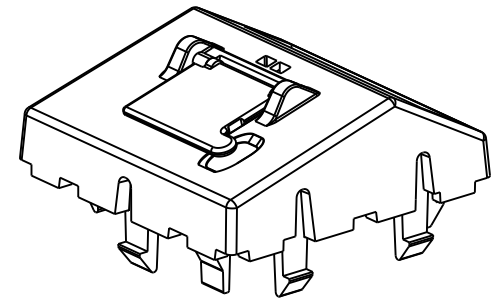
THIS COPY IS PROVIDED ON A RESTRICTED BASIS AND IS NOT TO BE USED IN ANY WAY DETRIMENTAL TO THE INTERESTS OF PANDUIT CORP.



PANDUIT P/N	WEIGHT
CFPFLSIS**	.19LB /10 PCS (87.1g /10 PCS)

NOTES:

1. SEE CURRENT CATALOG FOR ADDITIONAL PART NUMBER SUFFIXES TO INDICATE COLOR AND/OR PACKAGE QUANTITY.
2. SEE CATALOG FOR COMPLETE LIST OF PARTS APPLICABLE FOR USE WITH THIS PART.
3. DIMENSIONS IN () ARE IN METRIC.
4. PART INCLUDES:
1- LABEL
1- LABEL COVER



MODEL FILENAME	M02615AB/03	SIZE	A
DRAWING FILENAME	M02615AB_DC/03A		

MINI-COM 1 POSITION 45 X 45mm
SLOPED SHUTTERED FRENCH ADAPTER
WITH LABEL AND ICON SLOTS
CUSTOMER DRAWING

<p>PANDUITTM CORP. TINLEY PARK, ILL 60477</p>	I.I. NUMBER	N/A
	PRODUCT SPEC/ PKG SPEC	N/A
<p>THIRD ANGLE PROJECTION</p>	ASSY METHOD/ TEST METHOD	N/A
	SCALE	NONE
<p>ALL DIMENSIONS ARE GIVEN IN INCHES, UNLESS OTHERWISE SPECIFIED.</p> <p>DIMENSIONAL TOLERANCES ARE: (.X) ±.03 (.XXX) ±.005 (.XX) ±.01 ANGLES ± 1°</p>	PART NO.	CFPFLSIS**
<p>DRAWN BY: JsP</p> <p>DATE: 4-30-07</p> <p>CHK'D: TCK</p>	MATERIAL	ABS
	DRAWING NO.	02615-06

REV	DATE	BY	CHK	DESCRIPTION	ECN	R	CUST	SUP	OTH
I	7-16-07	JsP	TCK	A. REVISED ADAPTER, ADDED SMALL SLOT RELIEFS ON BOTTOM OF PART	02615-06	TCK	TCK		TCK
R	4-30-07	JsP	TCK	RELEASED TO PRODUCTION	02615-06	TCK	TCK		TCK

Mouser Electronics

Authorized Distributor

Click to View Pricing, Inventory, Delivery & Lifecycle Information:

Panduit:

[CFPFLS1SAW](#)