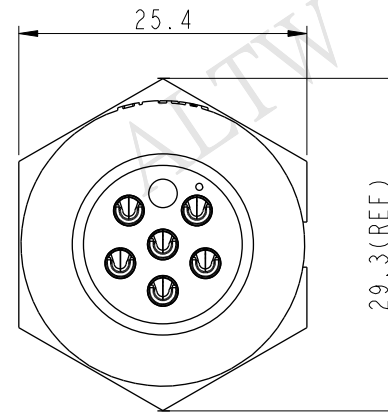
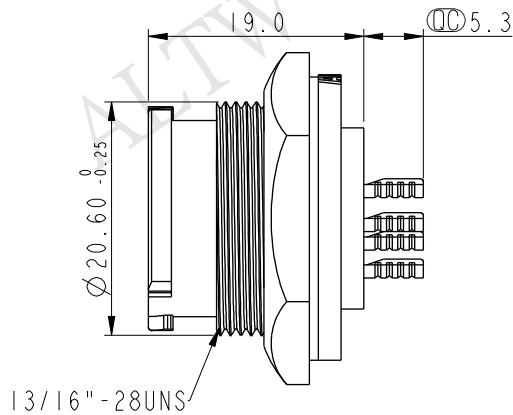
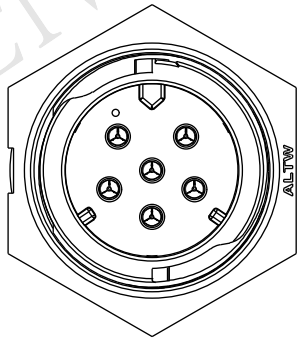
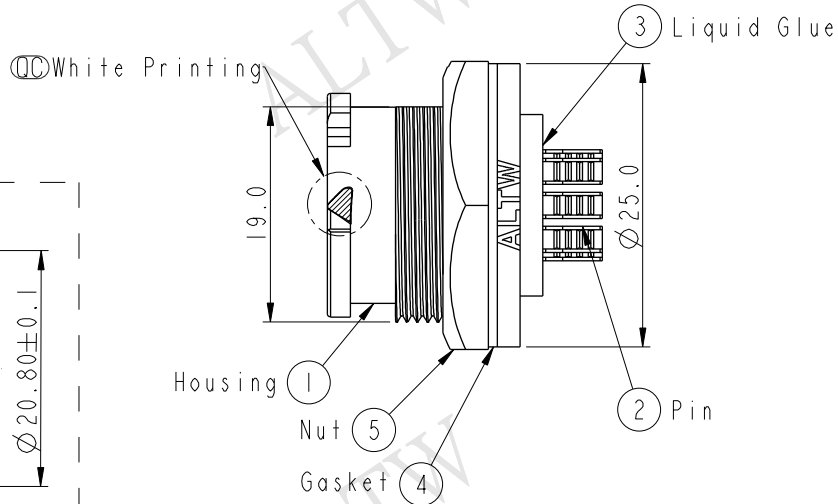


REV.	ECN NO.	DATE	SIGN	DESCRIPTION

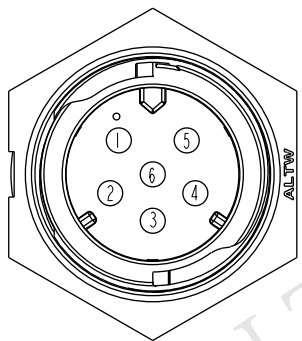
ALTW
CONFIDENTIAL
2014-11-05
R&D DEPT.



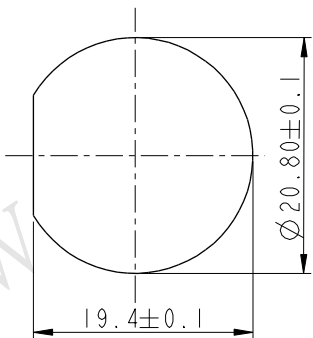
ALTW
DCC. DEPT.
CONFIDENTIAL
2015.03.23
ISSUED



- Note:
- * \varnothing Important Dimension To Check.
 - * Waterproof Rate: IP68
 - * Working Voltage Rating: AC 300V
 - * Working Current: 10A
 - * Housing: Nylon+GF, Black
 - * Pin: Copper Alloy, Gold Plated
 - * Liquid Glue: Black
 - * Nut: Nylon+GF, Black
 - * Gasket: Silicone, Gray
 - * Use Without Waterproof Cap
Panel Thickness Max: 4.2mm
 - * Use With Waterproof Cap
Panel Thickness Max: 3.0mm



Pin Assignments
Front View



Recommender Panel Cut-Out

UNIT: mm	TITLE X-Lok C Size Receptacle Front 6Pin M Conn. M Pin			Amphenol LTW 安費諾亮泰企業股份有限公司	ITEM NO. CB-06PMMS-QC8001	DRAWN BY Micky	DATE 2014-11-05		
	TOLERANCE .X ±0.25 .XX ±0.1 .XXX ±0.05 ANGLES ±1°	SCALE 3:2	SIZE A4		SHEET 1	OF 1	DWG NO. CB-06PMMS-QC8001	CHECKED BY Spring	DATE 2014-11-05
	REV. A	WC-REV. A.2	\varnothing Inspection item		CUSTOMER ALTW	APPROVED BY Kevin	DATE 2014-11-05		
	FMM10702-01-02A1								

THIS DOCUMENT IS SUBJECT TO CHANGE WITHOUT NOTICE. IT IS CONFIDENTIAL AND A PROPERTY OF Amphenol LTW. DISCLOSURE TO THIRD PARTY HAS TO BE AUTHORIZED BY Amphenol LTW.