

HINGED COVER, POLYCARBONATE, TYPE 4X

INDUSTRY STANDARDS

UL 508A Listed; Type 4X; File No. E343339
 cUL Listed per CSA C22.2 No 94; Type 4X; File No E343339
 Enclosure flammability evaluated per UL 508A
 Gray 94 V-0, Transparent 94-HB

NEMA/EEMAC Type 4X
 IEC 60529, IP66

APPLICATION

These attractive and robust polycarbonate enclosures provide protection for sensitive electrical components. Choose from solid or transparent cover options with rugged molded-in hinges, stainless steel hinge pins and stainless steel quick-release latches. Molded-in drip shields above and below the door effectively divert liquids in left- or right-hand hinged applications. These enclosures provide exceptional long-life component protection and performance in wet, dry or corrosive environments.

FEATURES

- IP 66 and UL Type 4X certifications
- Molded-in lockout hasp with cover lift tab
- Stainless steel mounting brackets provided
- Body and cover are molded, impact-resistant polycarbonate
- Transparent cover models provide 100% visibility
- Molded-in, overlapping drip shields on top and bottom of body
- Cover includes continuous foam-in-place gasket in tongue-and-groove channel
- Enclosure body and cover offer robust, molded-in hinges with stainless steel hinge pins
- Stainless steel, quick-release latches secure cover

FINISH

Attractive, light gray, glossy finish

ACCESSORIES

- Conductive mounting panels
- Mounting brackets
- Locking quick-release latches
- Quick-release draw latches
- H2OMIT™ vent drains
- HOL-SEALERS™ non-metallic hole seals

MODIFICATION AND CUSTOMIZATION

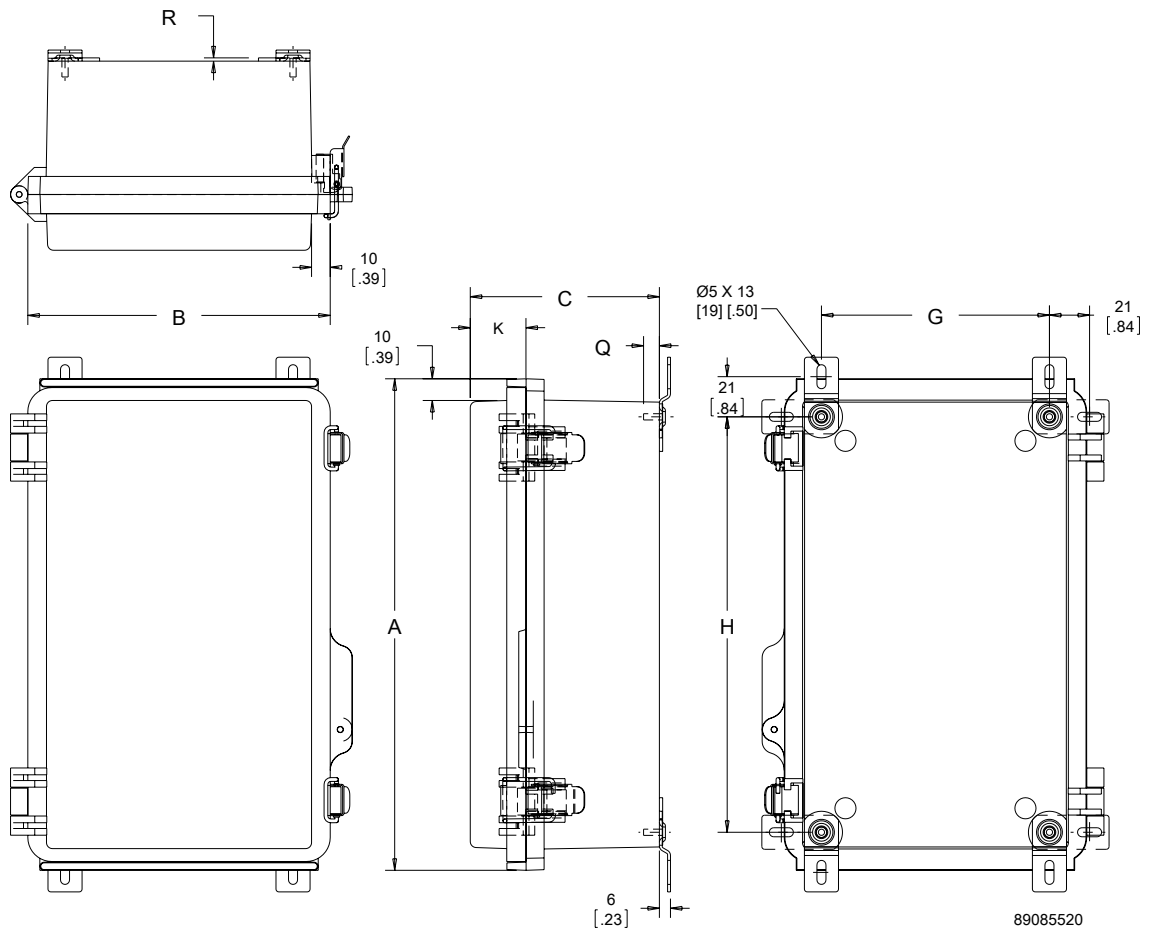
Hoffman excels at modifying and customizing products to your specifications. Volume minimums apply. Contact your local Hoffman sales office or distributor for complete information.

BULLETIN: EL

Standard Product

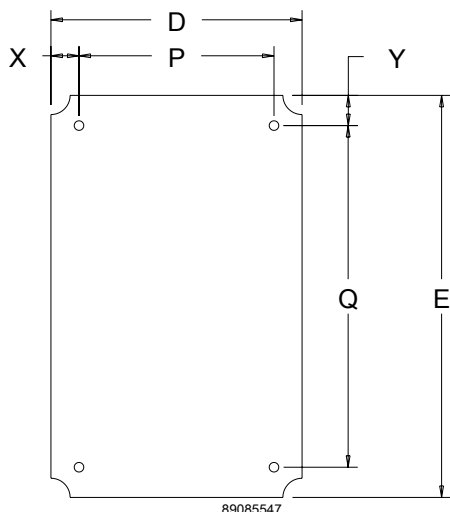
Catalog Number	AxBxC in./mm	Cover Style	G mm/in.	H mm/in.	K mm/in.	Q mm/in.	R mm/in.	Optional Panel
E151509PPG	5.91 x 5.91 x 3.54	Solid	120	120	20	8	1	P1515S
	150 x 150 x 90		4.73	4.73	.78	.33	.03	
E151509PPT	5.91 x 5.91 x 3.54	Clear	120	120	20	8	1	P1515S
	150 x 150 x 90		4.73	4.73	.78	.33	.03	
E211610PPG	8.27 x 6.30 x 3.94	Solid	120	170	25	8	2	P2116S
	210 x 160 x 100		4.73	6.69	.98	.38	.07	
E211610PPT	8.27 x 6.30 x 3.94	Clear	120	170	25	8	2	P2116S
	210 x 160 x 100		4.73	6.69	.98	.38	.07	
E212113PPG	8.27 x 8.27 x 5.12	Solid	170	170	25	8	2	P2121S
	210 x 210 x 130		6.69	6.69	.98	.38	.07	
E212113PPT	8.27 x 8.27 x 5.12	Clear	170	170	25	8	2	P2121S
	210 x 210 x 130		6.69	6.69	.98	.38	.07	
E221711PPG	8.66 x 6.69 x 4.33	Solid	132	182	30	8	2	P2217S
	220 x 170 x 110		5.2	7.16	1.18	.38	.07	
E221711PPT	8.66 x 6.69 x 4.33	Clear	132	182	30	8	2	P2217S
	220 x 170 x 110		5.2	7.16	1.18	.38	.07	
E261610PPG	10.24 x 6.30 x 3.94	Solid	120	220	25	8	2	P2616S
	260 x 160 x 100		4.73	8.66	1.18	.38	.07	
E261610PPT	10.24 x 6.30 x 3.94	Clear	120	220	25	8	2	P2616S
	260 x 160 x 100		4.73	8.66	1.18	.38	.07	
E282813PPG	11.02 x 11.02 x 5.12	Solid	237	237	30	10	2	P2828S
	280 x 280 x 130		9.33	9.33	1.18	.39	.07	
E282813PPT	11.02 x 11.02 x 5.12	Clear	237	237	30	10	2	P2828S
	280 x 280 x 130		9.33	9.33	1.18	.39	.07	
E302018PPG	11.81 x 7.87 x 7.09	Solid	120	252	30	10	2	P3020S
	300 x 200 x 180		5.98	9.92	1.18	.39	.07	
E302018PPT	11.81 x 7.87 x 7.09	Clear	120	252	30	10	2	P3020S
	300 x 200 x 180		5.98	9.92	1.18	.39	.07	
E303015PPG	11.81 x 11.81 x 5.91	Solid	256	256	30	10	2	P3030S
	300 x 300 x 150		10.08	10.08	1.18	.39	.07	
E303015PPT	11.81 x 11.81 x 5.91	Clear	256	256	30	10	2	P3030S
	300 x 300 x 150		10.08	10.08	1.18	.39	.07	
E352515PPG	13.78 x 9.84 x 5.91	Solid	206	306	30	10	2	P3525S
	350 x 250 x 150		8.11	12.04	1.18	.39	.07	
E352515PPT	13.78 x 9.84 x 5.91	Clear	206	306	30	10	2	P3525S
	350 x 250 x 150		8.11	12.04	1.18	.39	.07	
E353515PPG	13.78 x 13.78 x 5.91	Solid	302	302	30	10	2	P3535S
	350 x 350 x 150		11.88	11.88	1.18	.39	.07	
E353515PPT	13.78 x 13.78 x 5.91	Clear	302	302	30	10	2	P3535S
	350 x 350 x 150		11.88	11.88	1.18	.39	.07	
E403015PPG	15.75 x 11.81 x 5.91	Solid	252	352	30	10	2	P4030S
	400 x 300 x 150		9.92	13.85	1.18	.39	.07	
E403015PPT	15.75 x 11.81 x 5.91	Clear	252	352	30	10	2	P4030S
	400 x 300 x 150		9.92	13.85	1.18	.39	.07	
E453520PPG	17.72 x 13.78 x 7.87	Solid	302	402	30	10	2	P4535S
	450 x 350 x 200		11.88	15.82	1.18	.39	.07	
E453520PPT	17.72 x 13.78 x 7.87	Clear	302	402	30	10	2	P4535S
	450 x 350 x 200		11.88	15.82	1.18	.39	.07	
E504020PPG	19.68 x 15.75 x 7.87	Solid	352	452	30	10	2	P5040S
	500 x 400 x 200		13.85	17.79	1.18	.39	.07	
E504020PPT	19.68 x 15.75 x 7.87	Clear	352	452	30	10	2	P5040S
	500 x 400 x 200		13.85	17.79	1.18	.39	.07	

Note: Actual inside A and B dimensions are approximately 20 mm less than outside stated dimensions.



CONDUCTIVE PANEL

BULLETIN: ELP



89085547

Catalog Number	D mm/in.	E mm/in.	P mm/in.	Q mm/in.	X mm/in.	Y mm/in.
P1515S	123 4.84	123 4.84	110 4.33	---	7 .28	62 2.42
P2116S	129 5.08	179 7.05	---	160 6.29	65 2.54	10 .37
P2121S	179 7.05	179 7.05	120 4.72	150 5.90	30 1.16	15 .57
P2217S	129 5.08	179 7.05	---	160 6.29	65 2.54	10 .37
P2616S	128 5.08	224 8.82	---	210 8.26	112 4.41	7 .28
P2828S	248 9.76	248 9.76	210 8.26	210 8.26	19 .75	19 .75
P3020S	166 6.54	266 10.47	129 5.07	226 8.89	19 .75	20 .79
P3030S	161 10.31	262 10.31	219 8.62	230 9.05	21 .84	16 .62
P3525S	216 8.50	316 12.44	180 7.08	271 10.66	18 .71	22 .89
P3535S	320 12.60	320 12.60	270 10.62	270 10.62	25 .98	25 .98
P4030S	265 10.43	365 14.37	228 8.97	325 12.79	18 .73	20 .79
P4535S	306 12.05	407 16.02	274 10.78	365 14.37	16 .63	21 .82
P5040S	358 14.09	458 18.03	328 12.91	428 16.85	15 .59	15 .59

STEEL MOUNTING BRACKETS



BULLETIN: ELY

Catalog Number	Description	Pkg. Qty.	Fits Enclosure
AB40	Steel Mounting Bracket, Small	4	Up to 210 mm x 160 mm
AB50	Steel Mounting Bracket, Large	4	from 280 mm x 280 mm to 500 mm x 400 mm

REPLACEMENT QUICK-RELEASE LATCH



BULLETIN: ELY

Catalog Number	Description	Pkg. Qty.	Fits Enclosure
ADL55	Draw Latch, small	2	Up to 210 mm x 160 mm
ADL65	Draw Latch, medium	2	From 210 mm x 210 mm to 400 mm x 300 mm
ADL75	Draw Latch, large	2	From 450 mm x 350 mm to 500 mm x 400 mm

KEY-LOCKING QUICK-RELEASE LATCH



BULLETIN: ELY

Catalog Number	Description	Pkg. Qty.	Fits Enclosure
APSKM	Metal Latch Locker, Small	1	Up to 210 mm x 160 mm
APSKMD	Metal Latch Locker, Medium	1	From 210 mm x 210 mm to 400 mm x 300 mm
APSK	Metal Latch Locker, Large	1	from 450 mm x 350 mm to 500 mm x 400 mm