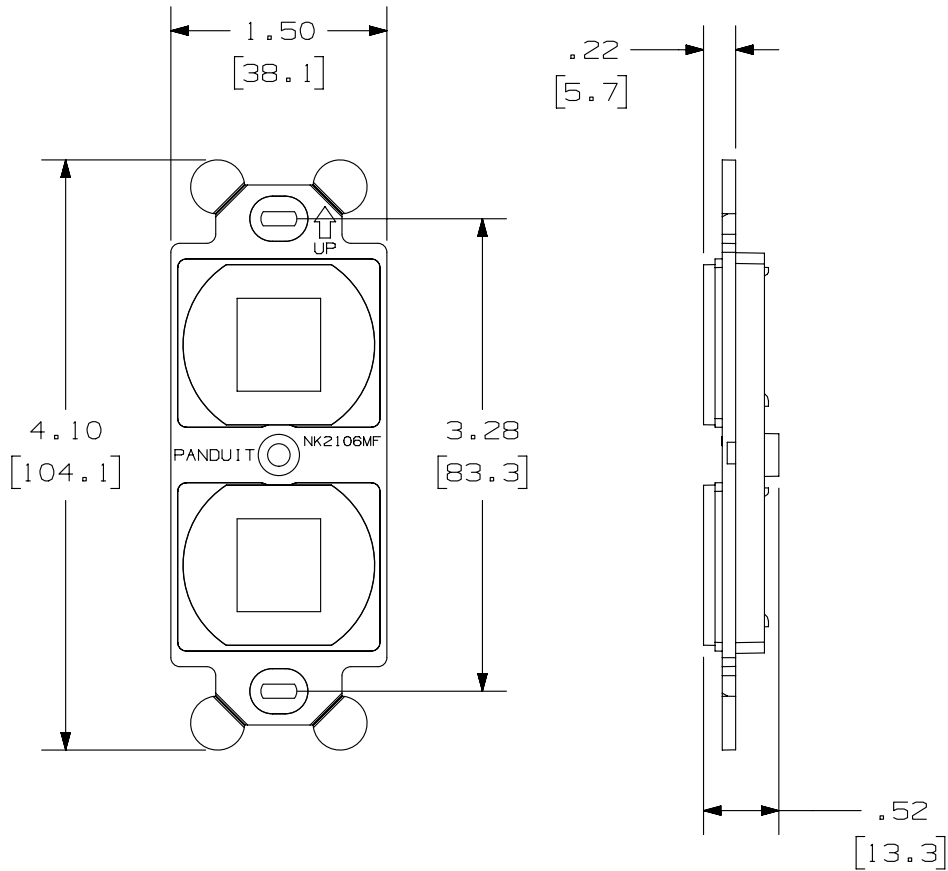


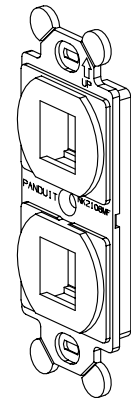
THIS COPY IS PROVIDED ON A RESTRICTED BASIS AND IS NOT TO BE USED IN ANY WAY DETRIMENTAL TO THE INTERESTS OF PANDUIT CORP.



PANDUIT P/N	WEIGHT
NK2106MF**	.28 LB/10 PCS (126.5 g/10 PCS)

NOTES:

- SEE CURRENT CATALOG FOR ADDITIONAL PART NUMBER SUFFIXES TO INDICATE COLOR AND OR PACKAGE QUANTITY.
- SEE CATALOG FOR COMPLETE LIST OF PARTS APPLICABLE FOR USE WITH THIS PART.
- DIMENSIONS IN PARENTHESES ARE IN METRIC.
- PART INCLUDES:
 - 1- 106 FRAME
 - 2- #6-32 X 1.00" MOUNTING SCREW



PART NUMBER		NK2106MF**	
TITLE		NETKEY 2 POSITION 106 FRAME	
		CUSTOMER DRAWING	
ITEM REVISION NAME		M02070BA/04	
DATASET FILE NAME		M02070BA_DC02/04B	
UNLESS OTHERWISE SPECIFIED, DIMENSIONAL TOLERANCES ARE: IN [mm]		MATERIAL:	
.x ± .xxx ± .010 [.3]		ABS	
.xx ± .03 [.8] ANGLES ±		DRAWING NUMBER:	
THIRD ANGLE PROJECTION		02070-02	
DRAWN BY	DATE	CHK	SCALE
JSP	9-13-04	EB	NONE
REV	DATE	BY	CHK
1	5-08-14	MDJR	REFR
R	9-13-04	JSP	EB
APR	DESCRIPTION		ECN
	A. UPDATED TITLE BLOCK.		02070-02
	RELEASED TO PRODUCTION		02070-02
SHT 1 OF 1		A	

D101000DA/14

2

1

2

1

Mouser Electronics

Authorized Distributor

Click to View Pricing, Inventory, Delivery & Lifecycle Information:

Panduit:

[NK2106MFIW](#) [NK2106MFIG](#)