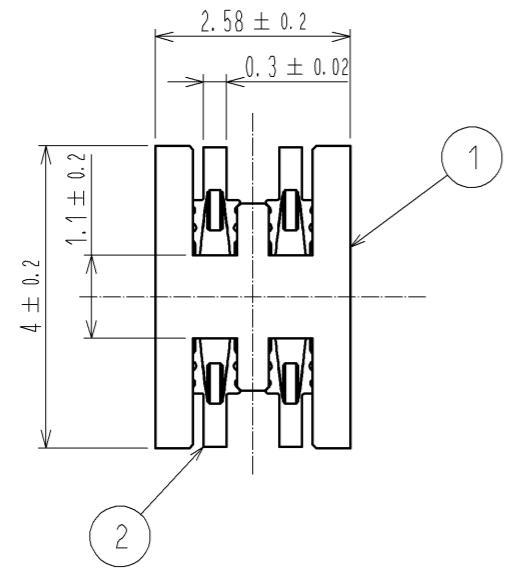
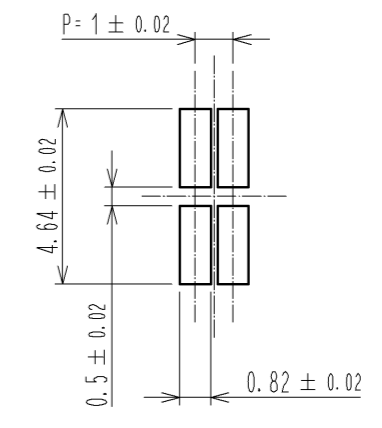
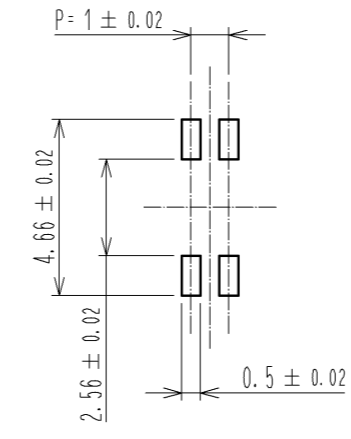


Mar.1.2017 Copyright 2017 HIROSE ELECTRIC CO., LTD. All Rights Reserved.

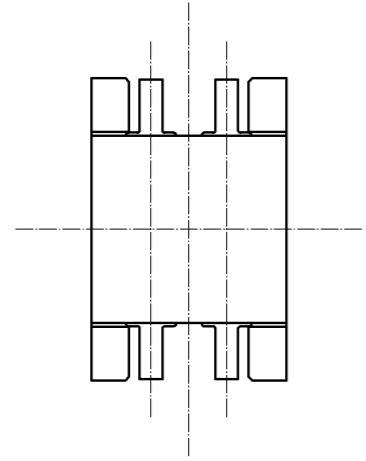
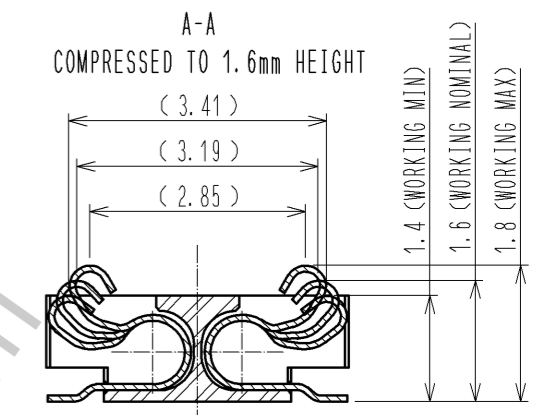
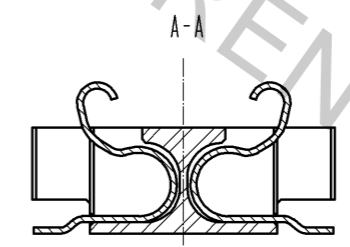
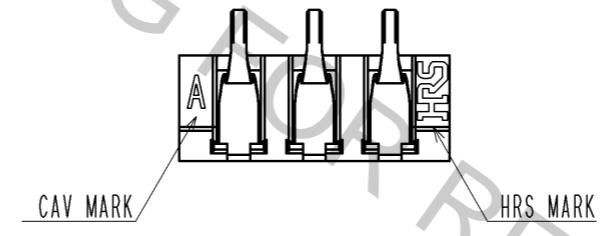
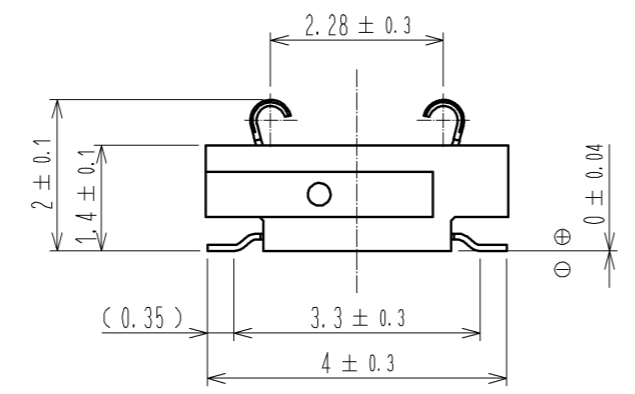
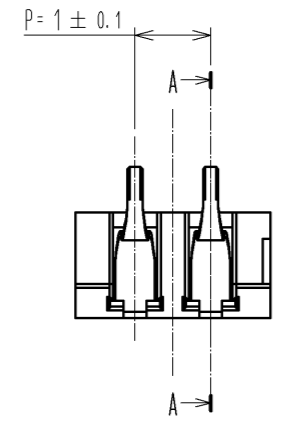


RECOMMENDED PATTERN FOR MOUNTING (5:1) RECOMMENDED PATTERN FOR MATING (5:1)



RECOMMENDED SOLDER PASTE: THICKNESS 100 μm

RECOMMENDED PLATING SPECIFICATION
GOLD 0.2 μm MIN OVER NICKEL 1 μm ~ 5 μm.

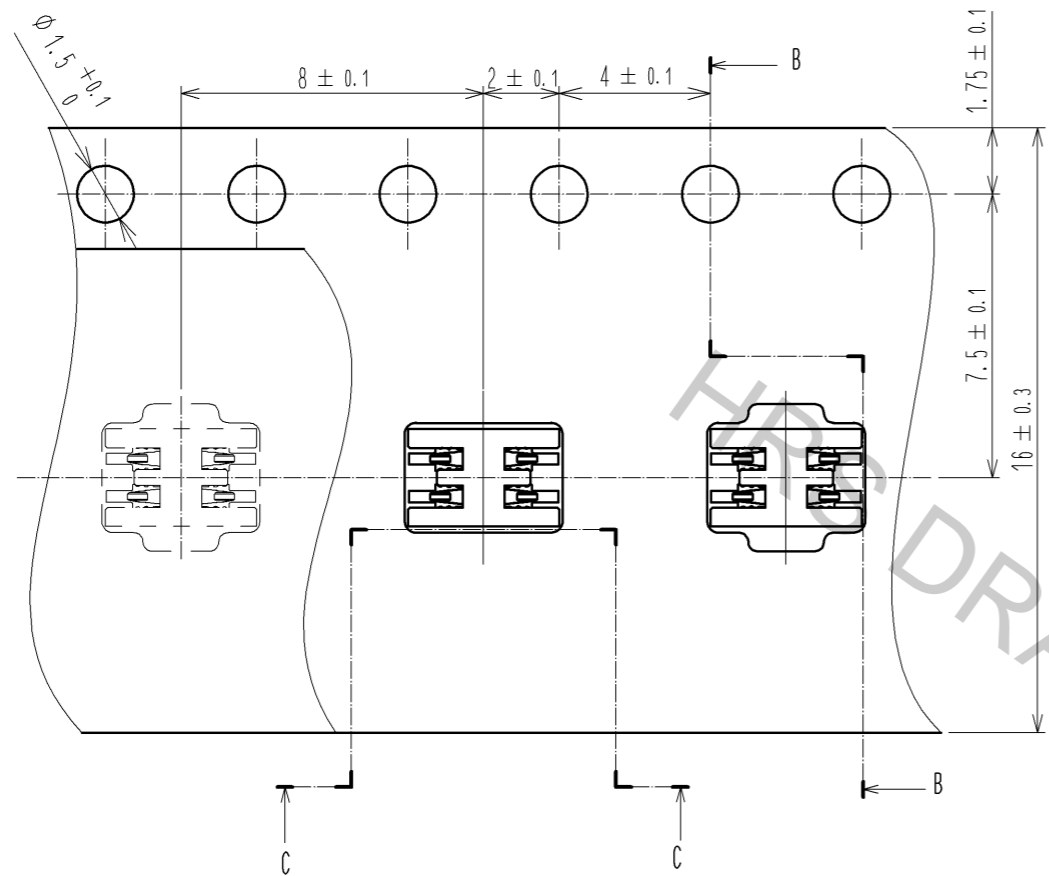


NOTE 1. LEAD CO-PLANARITY SHALL BE 0.1mm MAX.
 2. THIS PRODUCT TO BE SHIPPED BY TAPE AND REEL PACKAGE.
 REFER TO NEXT SHEET FOR DETAILS PACKAGING SPECIFICATIONS.
 [3] PLATING SPECIFICATION
 CONTACT AREA : GOLD 0.1 μm MIN.
 LEAD : GOLD 0.05 μm MIN.
 OTHERS(UNDER PLATING) : NICKEL 1 μm MIN.
 GOLD PLATING IS ALLOWED TO THE OTHER SURFACE
 THAN LEAD AREA AND CONTACT AREA.

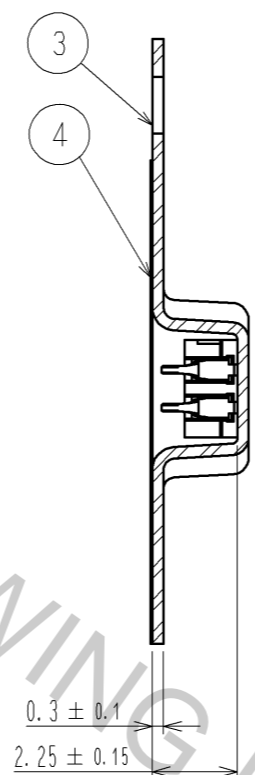
3	PS	CLEAR(EMBOSSED CARRIER TAPE)	6	PS	CLEAR(REINFORCING COLLAR)
2	PHOSPHOR BRONZE	[3]	5	PS	BLACK(PLASTIC REEL)
1	LCP	UL94V-0, BLACK	4	POLYESTER	CLEAR(COVER TAPE)
NO.	MATERIAL	FINISH, REMARKS	NO.	MATERIAL	FINISH, REMARKS
UNITS mm		SCALE 10:1	COUNT	DESCRIPTION OF REVISIONS	
DESIGNED		CHECKED		DATE	
APPROVED : KH. IKEDA			12.02.28		
CHECKED : TS. MIYAZAKI			12.02.28		
DESIGNED : TY. YAMASAKI			12.02.28		
DRAWN : TY. YAMASAKI			12.02.28		
DRAWING NO.				EDC3-337230-01	
PART NO.				BM26YC1.4-4DCP-1.0V(63)	
CODE NO.				CL661-2022-3-63	

Mar.1.2017 Copyright 2017 HIROSE ELECTRIC CO., LTD. All Rights Reserved.

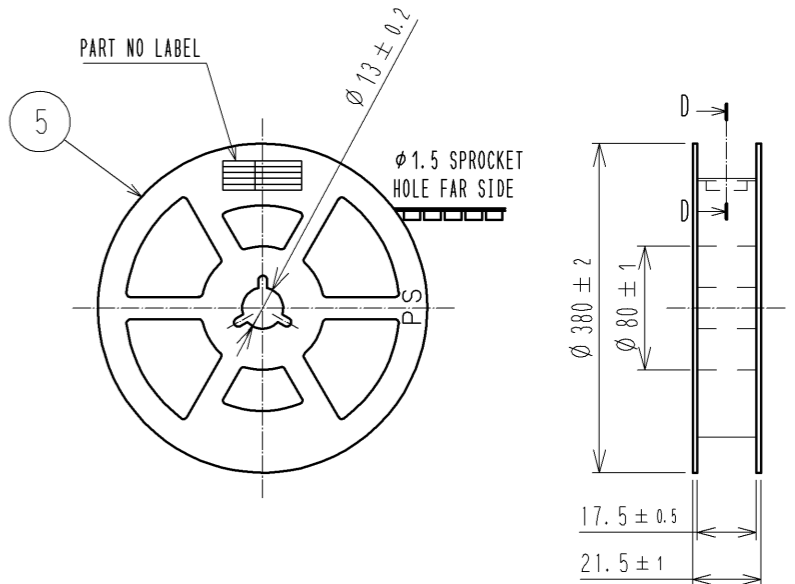
EMBOSSED CARRIER TAPE PACKAGING(5:1)



B-B (5:1)



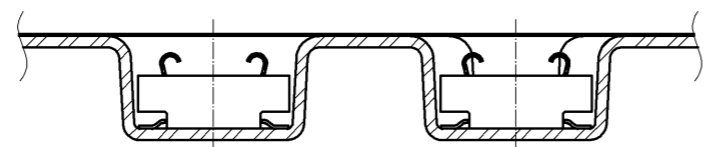
STYLE AND DIMENSION OF REEL(FREE SIZE)



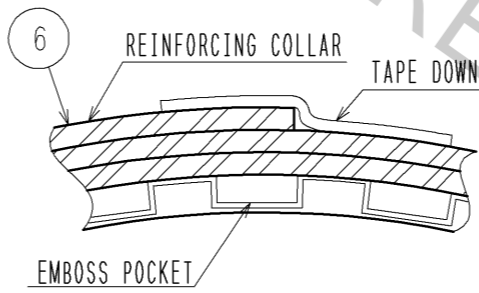
7 DETAIL OF PART NO. LABEL

SUPPLIER	
QUANTITY	
PART NO.	
CODE NO.	
DATE OF MANUFACTURED	
製造年月日	年 月 日
製品コード	** ** *
製品名	BM26YC1.4-4DCP-1.0V(63)
数量	4000個
納入者	ヒロセ電機(株)

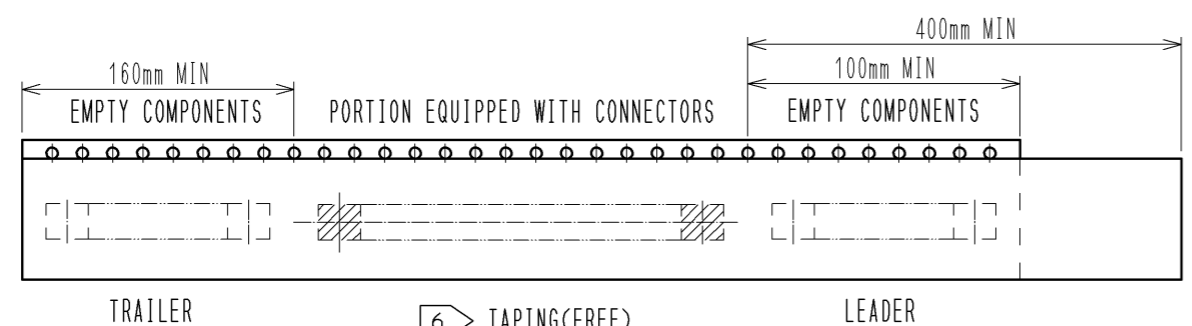
C-C (5:1)



8 D-D (FREE SIZE)



DIRECTION OF UNREELING



- NOTE
- 4. PER REEL 4000 CONNECTORS.
 - 5. THE DIMENSIONS IN PARENTHESES ARE FOR REFERENCE.
 - 6. REFER TO JIS C 0806(IEC 60286-3)(PACKING OF COMPONENTS FOR AUTOMATIC HANDLING)
 - 7. DETAIL OF PART NO. LABEL IS WRITTEN IN JAPANESE.
 - 8. AFTER PACKING, WRAP AROUND THE REELED POCKET WITH 2m LENGTH REINFORCING COLLAR AND TAPE DOWN AT THE END.

HRS	DRAWING NO.	EDC3-337230-01
	PART NO.	BM26YC1.4-4DCP-1.0V(63)
	CODE NO.	CL661-2022-3-63
		\triangle 2/2

Mouser Electronics

Authorized Distributor

Click to View Pricing, Inventory, Delivery & Lifecycle Information:

[Hirose Electric:](#)

[BM26YC1.4-4DCP-1.0V\(63\)](#)