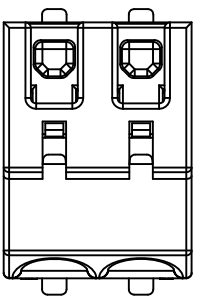
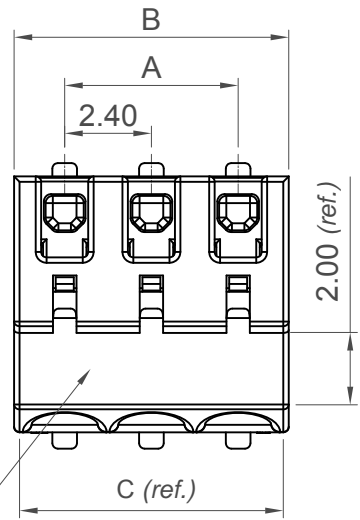


1 Contact

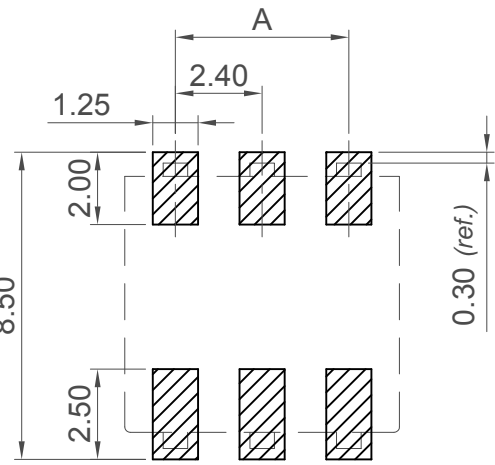


2 Contacts



3 Contacts

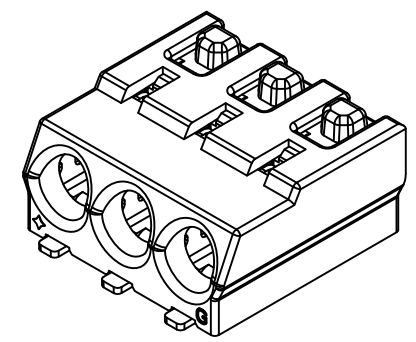
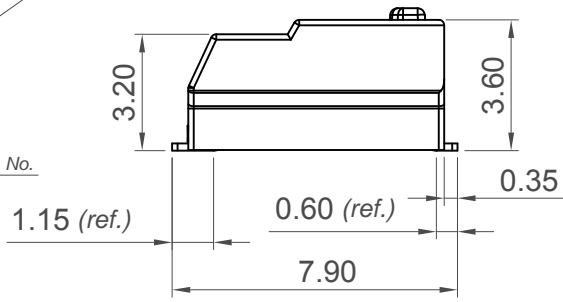
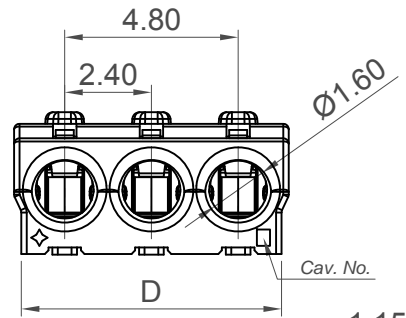
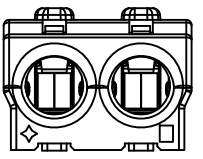
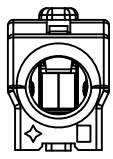
Pick & Place Area



**Recommended PCB Layout**

General Tolerance:  $\pm 0.05$   
as viewed from component side

▨ Solder Area    □ Component Outline



**Specifications 规格**

**Material 物料**  
 Insulator 绝缘体: LCP, UL 94V-0 (Cream)  
 Plastic Cover 塑胶外壳: LCP, UL 94V-0 (Cream)  
 Contact Terminal 接触端子: Copper Alloy T=0.20mm

**Plating 电镀**  
 Contact 接触: Tin over Nickel

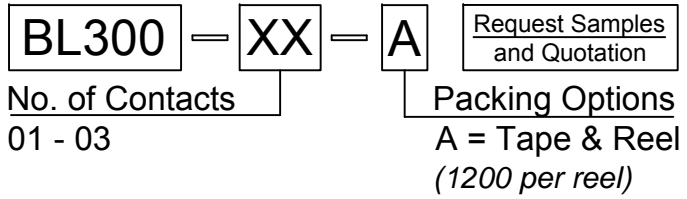
**Electrical 电气**  
 Voltage Rating 电压额定值: 300V max.  
 Current Rating 电流额定值: 4 Amp max.  
 Contact Resistance 接触电阻值: 20 mΩ max.  
 Insulation Resistance 绝缘电阻值: 1000 MΩ min.  
 Dielectric Withstand Voltage 耐电压: 1500 V AC

**Mechanical & Environmental 机械 & 环境**  
 Operating Temperature 工作温度: -25°C to +105°C

**Applicable Wire Range 适用线径规格:**  
 Stranded Wire 多股线: #24AWG, #22AWG  
 Max. Insulation OD 最大线径: Ø1.50mm

Note: Please see Product Specification document for more detailed information.

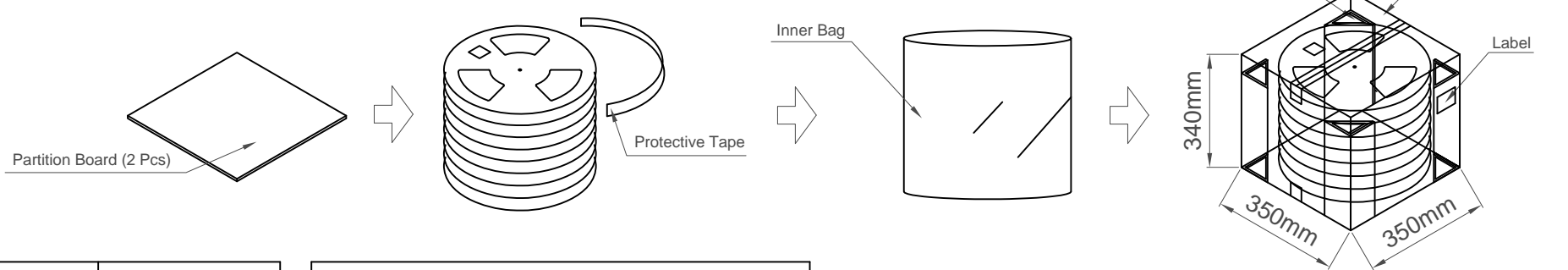
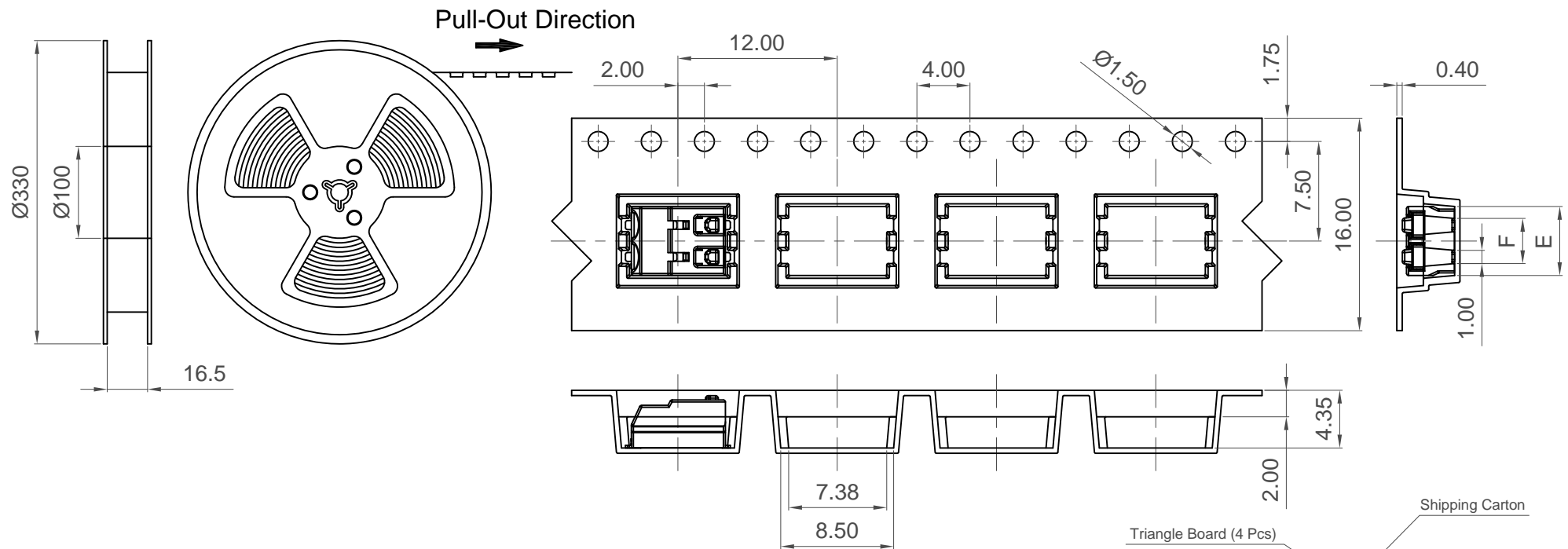
**Ordering Grid**



Number of Contacts	Dimensions			
	A	B	C	D
1	n/a	2.80	2.50	2.40
2	2.40	5.20	4.90	4.80
3	4.80	7.60	7.30	7.20

Part Number BL300		Product Description 2.40mm Pitch, Surface Mount Wire Trap Connector	
Drawing Date 18th January 2016			
By CC	Detail Drawing Release	Tolerances (Except as Noted) Length X.X ± 0.35 X.XX ± 0.25	Units: Metric (mm)
Revision A2	Date 30/11/16	Angle ± 3°	3rd Angle Projection
		This drawing is confidential and copyright of Global Connector Technology, Ltd (GCT). This drawing must not be copied or disclosed without written consent. E & OE	
Not to Scale	Drawn By AJO	Sheet No. 1/2	

**GCT**  
Global Connector Technology  
www.gct.co



Number of Contacts	Dimension	
	E	F
BL300-01-A	2.80	n/a
BL300-02-A	5.20	3.40
BL300-03-A	7.60	5.80

Packing Quantity			
Part No.	Pcs/Reel	Reel/Carton	Pcs/Carton
BL300	1200	14	16,800

Part Number BL300		Product Description 2.40mm Pitch, Surface Mount Wire Trap Connector	
Drawing Date 18th January 2016			
By CC	Release Drawing	Tolerances (Except as Noted)	Units: Metric (mm)
Detail	A2	Length X.X ± 0.35	Angle ± 3°
Revision Date	30/11/16	X.XX ± 0.25	3rd Angle Projection

This drawing is confidential and copyright of Global Connector Technology, Ltd (GCT). This drawing must not be copied or disclosed without written consent. E & OE

www.gct.co

Not to Scale	Drawn By AJO	Sheet No. 2/2
--------------	-----------------	------------------

H  
G  
F  
E  
D  
C  
B  
A

1 2 3 4 5 6 7 8