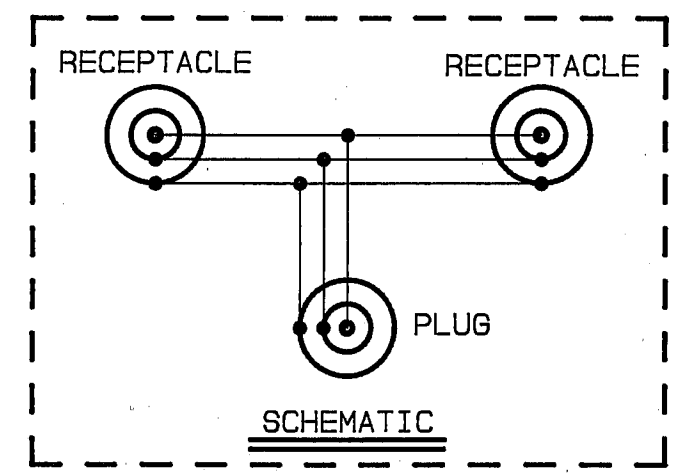
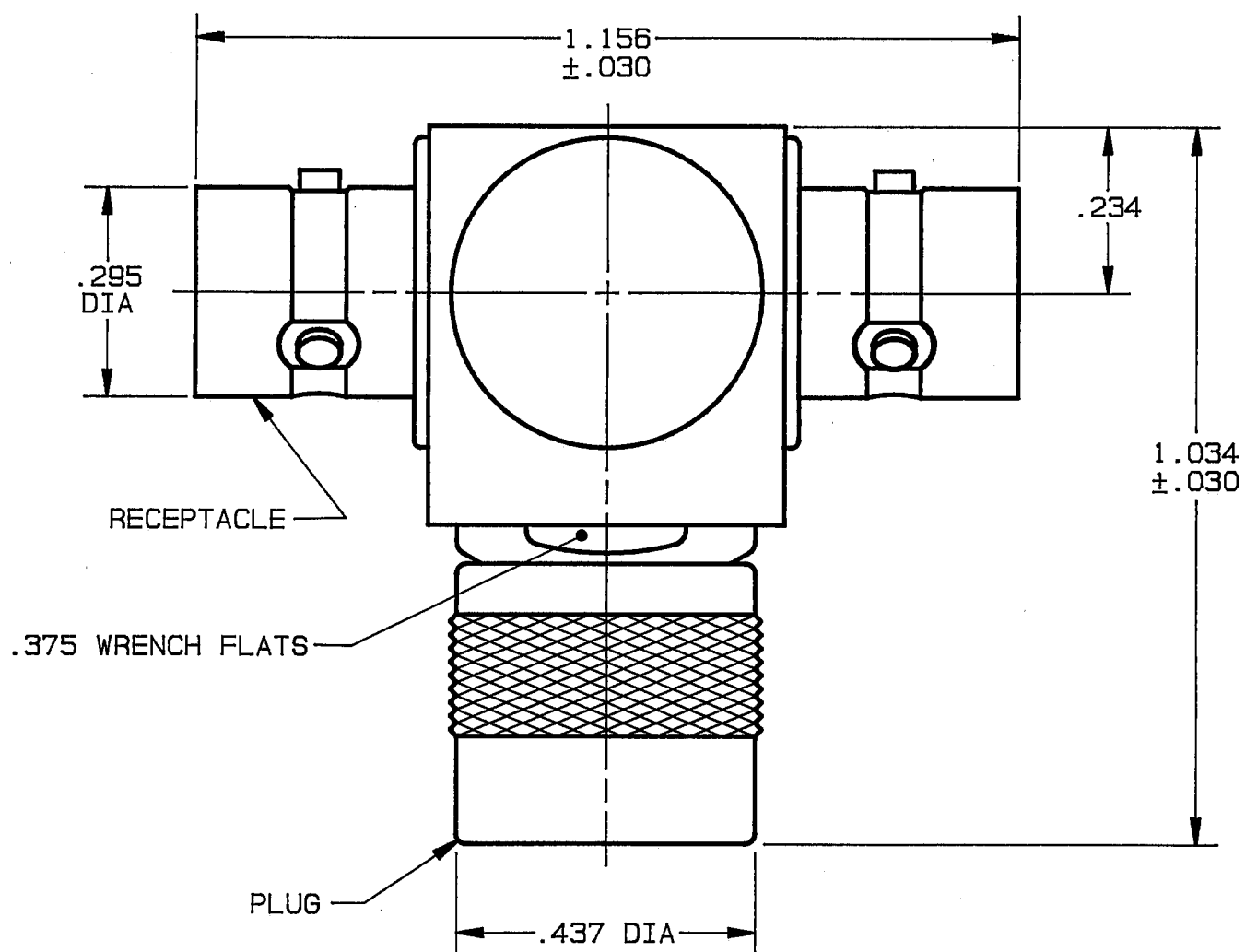
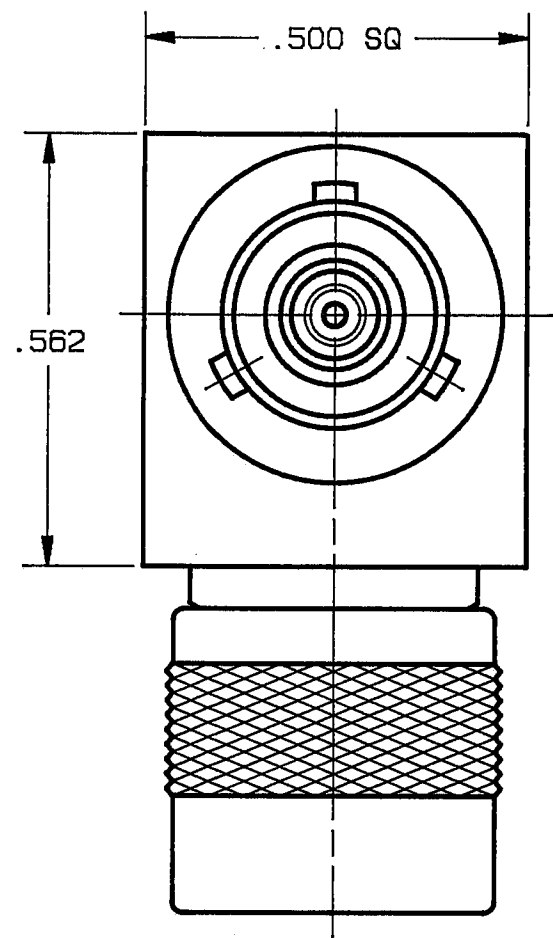


DISK # H13 DWG SIZE B
 DATA CONTAINED IN THIS DOCUMENT IS PROPRIETARY TO TROMPETER ELECTRONICS INC. AND SHALL NOT BE DISCLOSED, COPIED OR USED FOR PROCUREMENT OR MANUFACTURE WITHOUT EXPRESS WRITTEN PERMISSION.

REVISIONS			3-0031		SH
REV	ECO	DESCRIPTION	DWN	APPROVED	DATE
C	9874	1.156 ±.030, 1.034 ±.030 WERE 1.156, 1.034; ADDED .XXX ±.005; .375 3/8; DWG NO WAS 3000-0031 REDRAWN	DKC	<i>BM; KJ</i>	9/16/92

DASH NO	MODEL NO	DESCRIPTION
-1	BN153	3-LUG
-2	BN153FL	4-LUG



-1 SHOWN

INCH	MM
.005	0.13
.030	0.76
.234	5.94
.295	7.49
.375	4.53
.437	11.10
.500	12.70
.562	14.27
1.034	26.26
1.156	29.36

3. CONCENTRIC SUBMINIATURE TWINAX/ TRIAX 3 & 4-LUG BAYONET TEE
2. FINISH: TFS-1A (NICKEL)
1. ALL DIM ARE IN INCHES

QTY	DESCRIPTION		PART NUMBER	ITEM		
TOL UNLESS SPECIFIED		TROMPETER ELECTRONICS, INC.	BN153/BN153FL			
.XX ±						
.XXX ±.005						
.XXXX±						
ANGLES±						
DWN	DKC	8-20-21	MATERIAL	CODE IDENT	DRAWING NO.	REV
CHK	<i>BM</i>	9-11-92	—	14949	3-0031	C
ENGR						
NEXT ASSY	APPR	<i>KJ</i>	9-15-92	SCALE 4/1	DATE 1-17-77	SHEET 1 OF 2