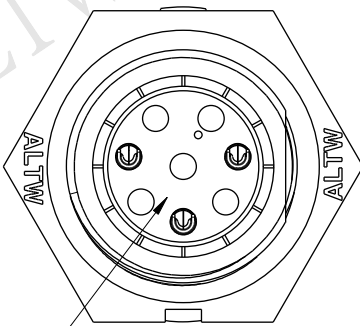
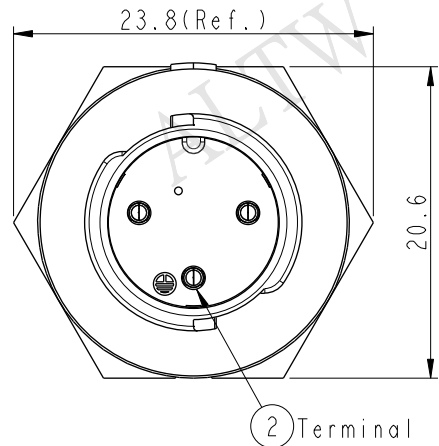
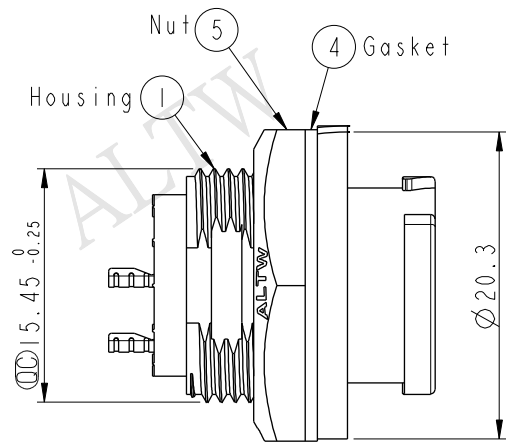


| REV. | ECN NO. | DATE | SIGN | DESCRIPTION |
|------|---------|------|------|-------------|
| | | | | |

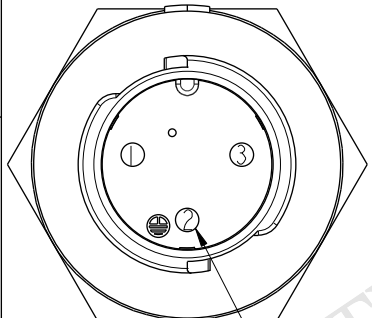
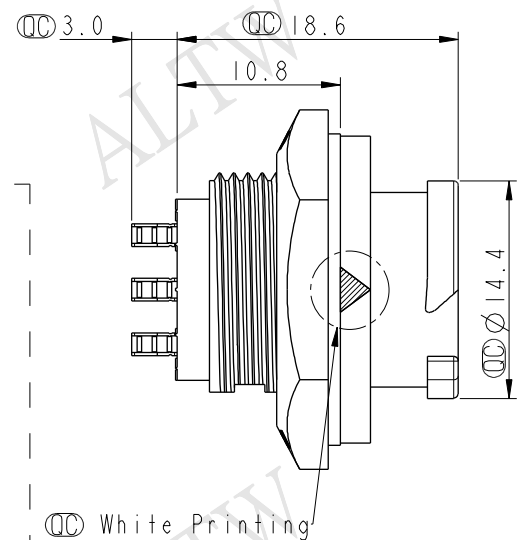
ALTW
CONFIDENTIAL
2016-07-11
R&D DEPT.



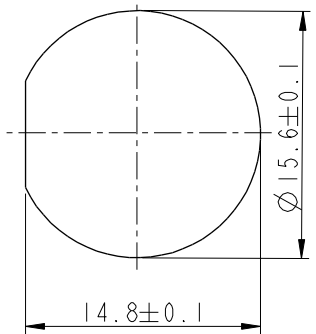
With Liquid Glue



ALTW
DCC. DEPT.
CONFIDENTIAL
2016.07.18
ISSUED



Ground Pin
Pin Assignments
Front View



Recommended Panel Cut-out

- Note:
- * \varnothing Important Dimension To Check.
 - * Waterproof Rate: IP68(Unmated)
In 1 meter water within 24 hours
 - * Working Voltage Rating: AC 300 V
 - * Working Current Rating: 5A
 - * Housing: Nylon+GF, Black
 - * Male Pin: Copper Alloy, Gold Plated
 - * Nut: Nylon+GF, Black
 - * Gasket: Silicone, Gray
 - * Panel Thickness Max: 4.5mm

| | | | | | |
|-----------------------|--|-------|---|---------|---------------------------------|
| UNIT:mm | | TITLE | X Lok B-Size Receptacle Rear Fastened M Conn M 3 Pin | | |
| TOLERANCE .X ±0.25 | | SCALE | 2:1 | SIZE | A4 |
| | | REV. | A | WC-REV. | A.4 |
| | | | | | \varnothing : Inspection item |

Amphenol LTW
安費諾亮泰企業股份有限公司

| | | | | | |
|----------|------------------|-------------|------------|------|------------|
| ITEM NO | BD-03RMMS-QC800P | DRAWN BY | Wes Fan | DATE | 2016-07-11 |
| DWG NO | BD-03RMMS-QC800P | CHECKED BY | Spring Liu | DATE | 2016-07-11 |
| CUSTOMER | ALTW | APPROVED BY | Kevin Hu | DATE | 2016-07-11 |

THIS DOCUMENT IS SUBJECT TO CHANGE WITHOUT NOTICE. IT IS CONFIDENTIAL AND A PROPERTY OF Amphenol LTW. DISCLOSURE TO THIRD PARTY HAS TO BE AUTHORIZED BY Amphenol LTW.