

Customer Information Sheet

DRAWING No.: S1941-XXR

SHEET 2 OF 3

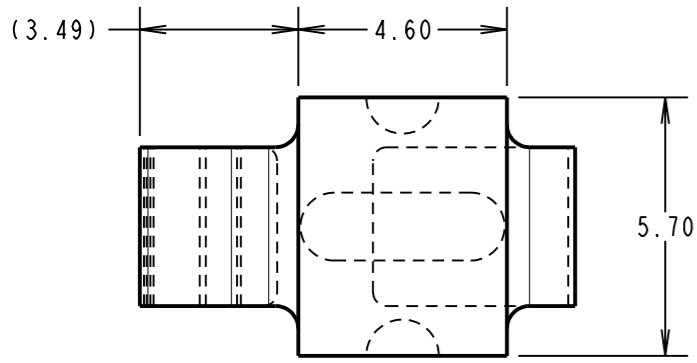
IF IN DOUBT - ASK

©

NOT TO SCALE

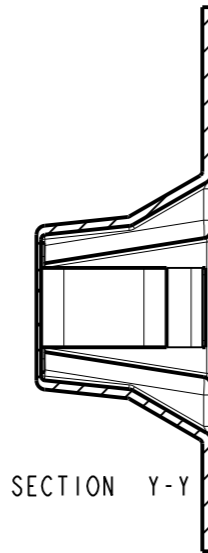
THIRD ANGLE PROJECTION

ALL DIMENSIONS IN mm

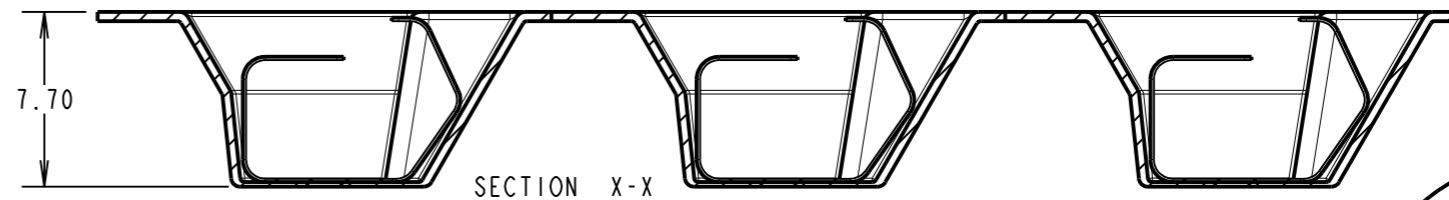
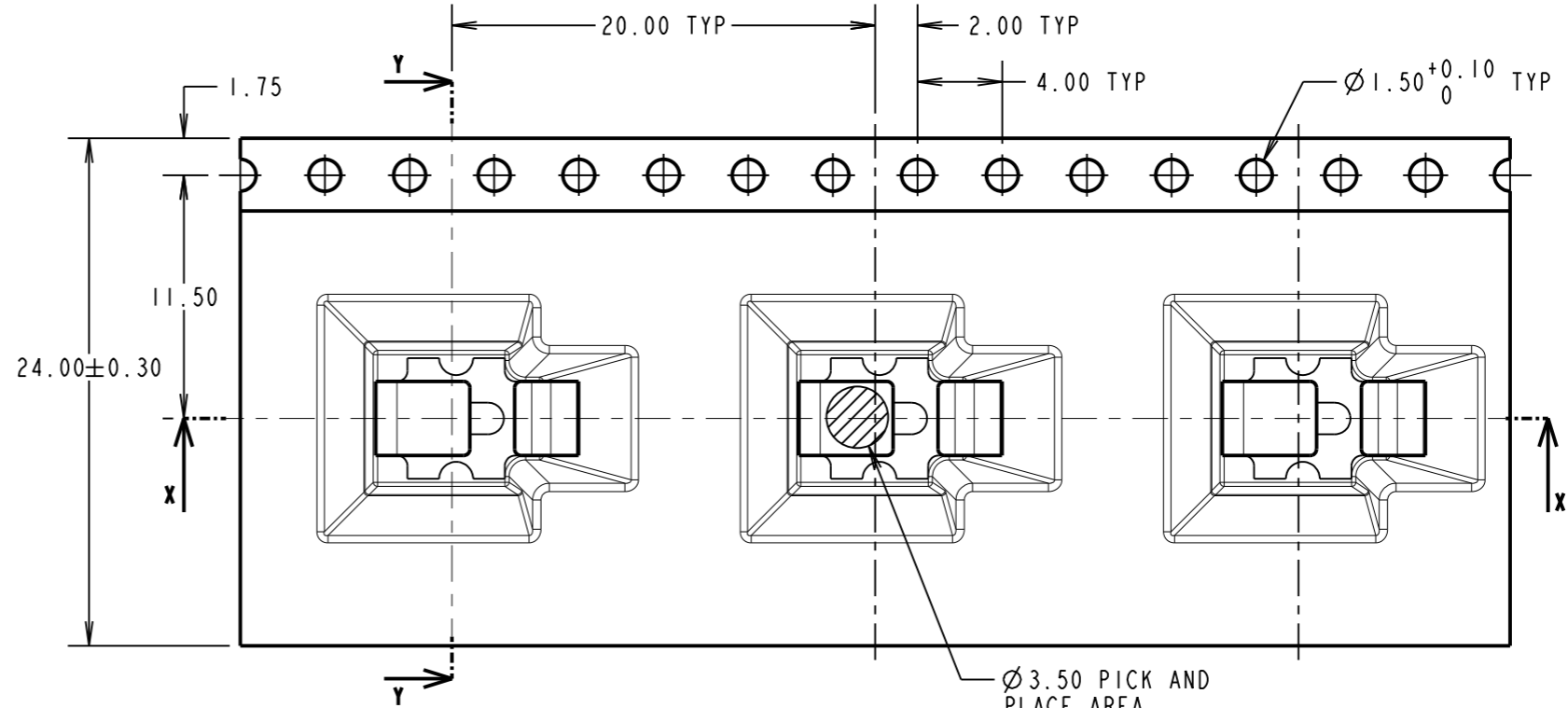


RECOMMENDED PCB PAD LAYOUT

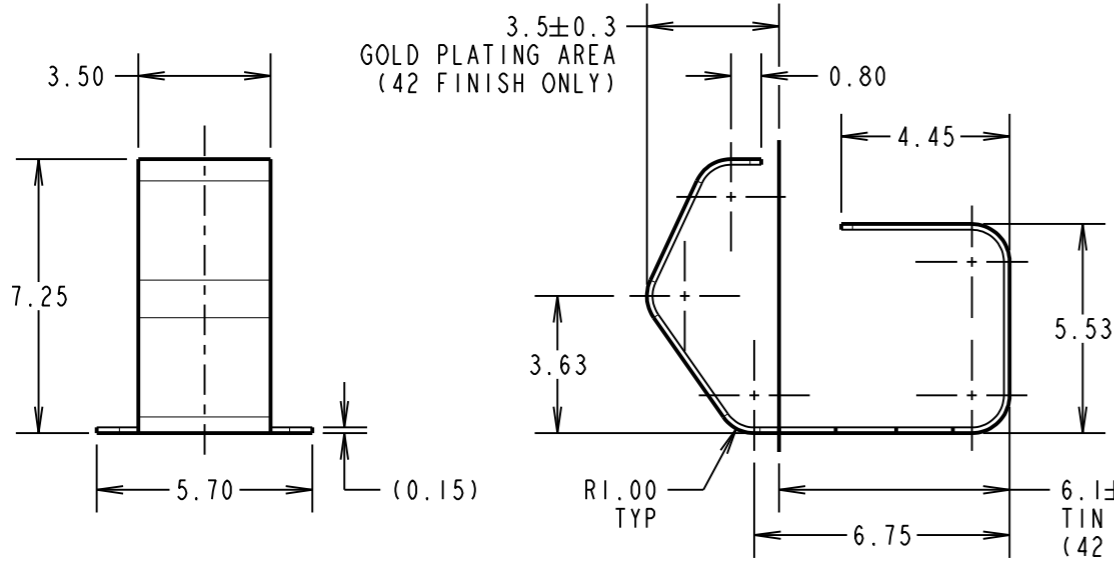
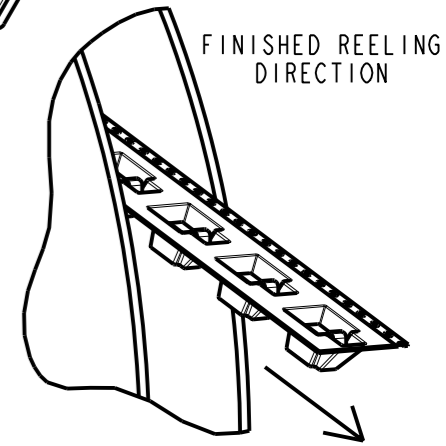
- NOTES:
 1. QUANTITY OF COMPONENTS PER REEL = 350.
 2. THIS PRODUCT IS TAPED AND REELED IN ACCORDANCE WITH EIA-481 (ELECTRONICS INDUSTRIES ASSOCIATION).



SECTION Y-Y

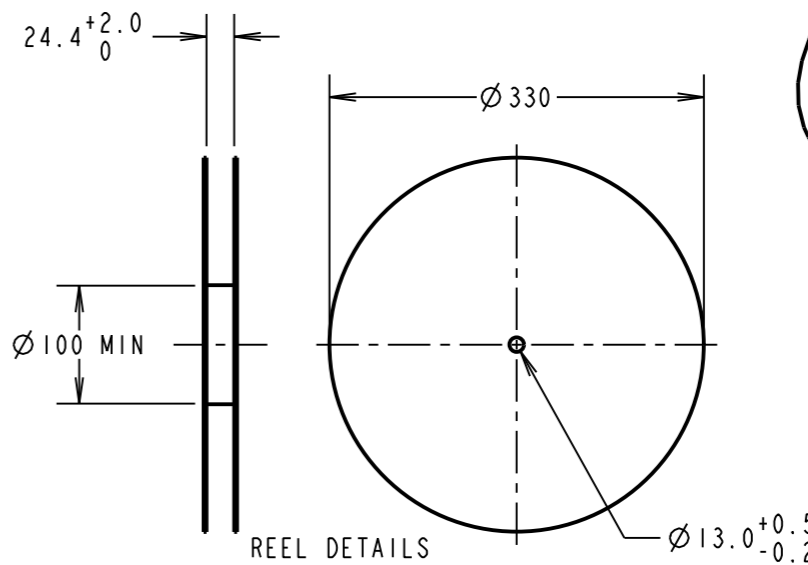
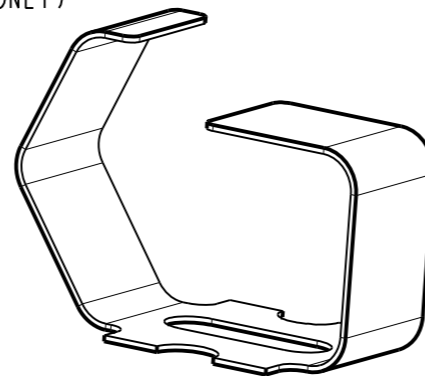


SECTION X-X

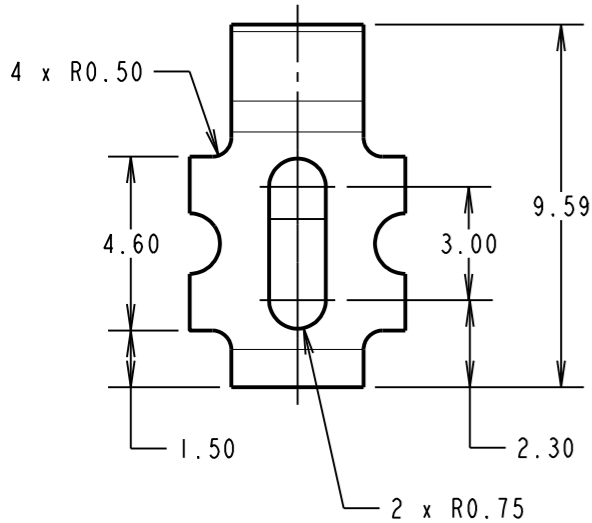


COMPONENT DETAILS

ORDER CODE:
S1941-XXR
 FINISH:
 42 - SELECTIVE GOLD & TIN
 46 - 100% TIN ALL OVER



REEL DETAILS



SB	6	29.09.16	20106
NAME	ISS.	DATE	C/NOTE
APPROVED:		S.BENNETT	
CHECKED:		M.PERREN	
DRAWN:		S.BENNETT	
CUSTOMER REF.:			
ASSEMBLY DRG:			

HARWIN

www.harwin.com
 technical@harwin.com

THIS DRAWING AND ANY INFORMATION OR DESCRIPTIVE MATTER SET OUT HEREON ARE CONFIDENTIAL AND COPYRIGHT PROPERTY OF THE HARWIN GROUP AND MUST NOT BE DISCLOSED, LOANED, COPIED OR USED FOR MANUFACTURING, TENDERING OR FOR ANY OTHER PURPOSE WITHOUT THEIR WRITTEN PERMISSION.

TOLERANCES
 X. = ±1mm
 X.X = ±0.25mm
 X.XX = ±0.10mm
 X.XXX = ±0.01mm
 ANGLES = ±5°
 UNLESS STATED

MATERIAL: SEE ABOVE
 FINISH: SEE ABOVE
 S/AREA: mm²

TITLE:
 MULTI-DIRECTIONAL SHIELD FINGER
 IN TAPE AND REEL

DRAWING NUMBER:
S1941-XXR

Customer Information Sheet

DRAWING No.: S1941-XXR

SHEET 3 OF 3

IF IN DOUBT - ASK

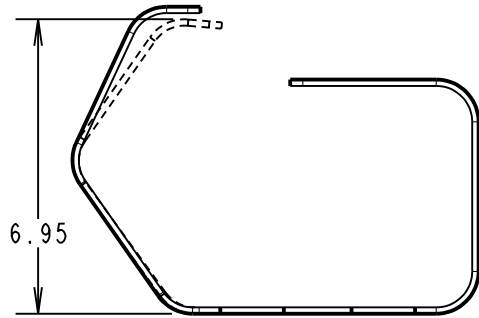


NOT TO SCALE

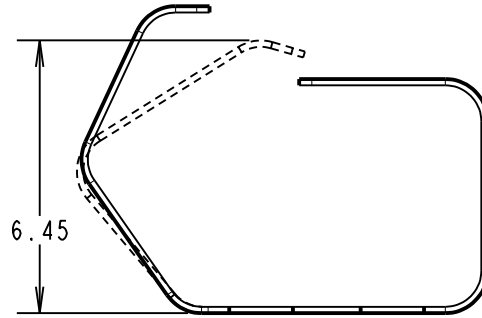
THIRD ANGLE PROJECTION

ALL DIMENSIONS IN mm

**S1941-46R
DEFLECTION FROM ABOVE**

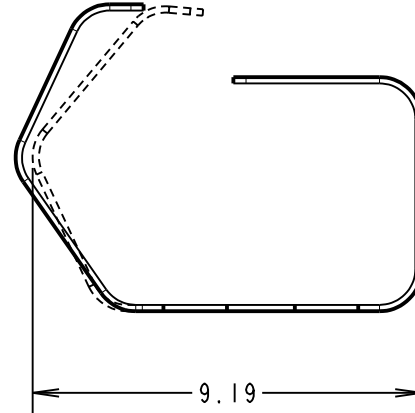


RECOMMENDED WORKING HEIGHT
OF 6.95mm = 0.30mm DEFLECTION,
MINIMUM FORCE OF 1.2N

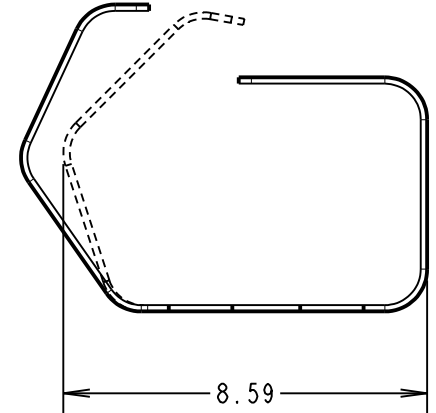


MINIMUM RECOMMENDED HEIGHT
OF 6.45mm = 0.80mm DEFLECTION

**S1941-46R
DEFLECTION FROM FRONT**



RECOMMENDED WORKING LENGTH
OF 9.19mm = 0.40mm DEFLECTION,
MINIMUM FORCE OF 1.2N



MINIMUM RECOMMENDED LENGTH
OF 8.59mm = 1.00mm DEFLECTION

COMPONENT SPECIFICATION:

MATERIAL = BERYLLIUM COPPER

FINISH:

42 = 2 μ NICKEL ALL OVER,
0.15 μ GOLD ON CONTACT AREA,
3 μ 100% TIN ON BASE

46 = 3 μ 100% TIN OVER 2 μ NICKEL

ELECTRICAL:

CURRENT RATING = 9A MAX

CONTACT RESISTANCE = 20m Ω MAX

MECHANICAL:

DURABILITY = 5000 CYCLES

SB	6	29.09.16	20106
NAME	ISS.	DATE	C/NOTE
APPROVED:		S.BENNETT	
CHECKED:		M.PERREN	
DRAWN:		S.BENNETT	
CUSTOMER REF.:			
ASSEMBLY DRG:			

HARWIN

www.harwin.com
technical@harwin.com

THIS DRAWING AND ANY
INFORMATION OR DESCRIPTIVE
MATTER SET OUT HEREON ARE
CONFIDENTIAL AND COPYRIGHT
PROPERTY OF THE HARWIN
GROUP AND MUST NOT BE
DISCLOSED, LOANED, COPIED
OR USED FOR MANUFACTURING,
TENDERING OR FOR ANY
OTHER PURPOSE WITHOUT
THEIR WRITTEN PERMISSION.

TOLERANCES

X. = ± 1 mm
X.X = ± 0.50 mm
X.XX = ± 0.10 mm
X.XXX = ± 0.01 mm

ANGLES = $\pm 5^\circ$
UNLESS STATED

MATERIAL:

SEE ABOVE

FINISH:

SEE ABOVE

S/AREA:

mm²

TITLE:

MULTI-DIRECTIONAL SHIELD FINGER
IN TAPE AND REEL

DRAWING NUMBER:

S1941-XXR

SHT
3
OF
3

Mouser Electronics

Authorized Distributor

Click to View Pricing, Inventory, Delivery & Lifecycle Information:

[Harwin:](#)

[S1941-46R](#) [S1941-42R](#)