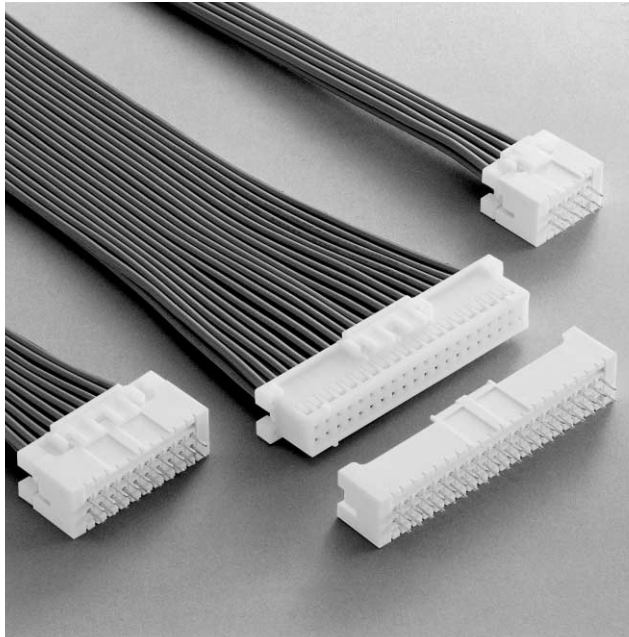
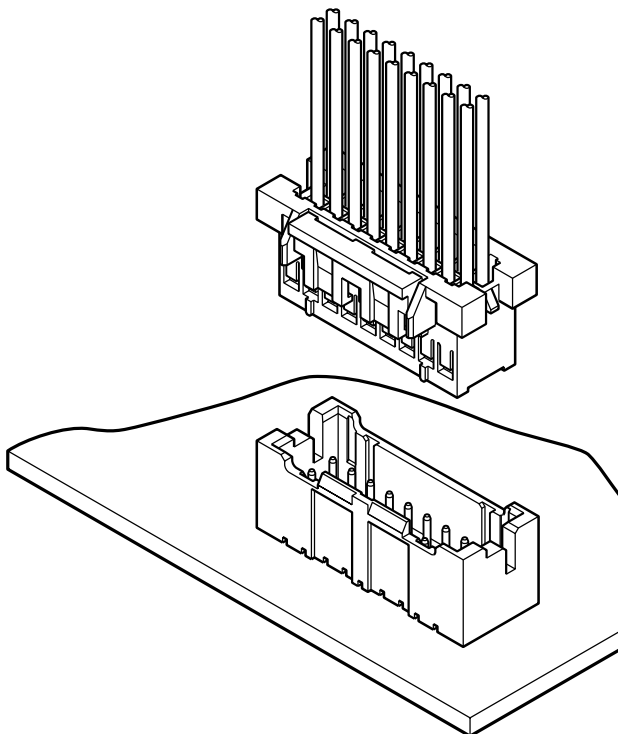


# XAD CONNECTOR

*Disconnectable Crimp style connectors*



**Double-row construction connector with secure locking device.**



## Features

### • Locking device

The housing has a locking device which securely mates with the header, preventing accidental disconnection resulting from external forces such as the routing of wires during assembly process or vibration.

### • Solder crack preventive material

Header wafer is made of glass-filled PA66 nylon thus effective against solder cracking.

### • Polarizing boss

Headers with polarizing bosses are also available.

### • Mis-insertion preventive design

Housing ribs prevent mis-insertion of the housing into the header.

## Specifications

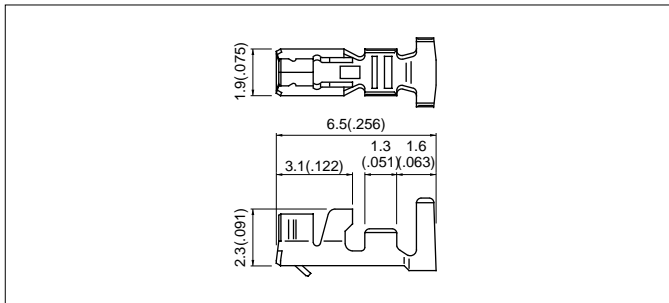
- Current rating: 3A AC,DC (AWG#20)
- Voltage rating: 250V AC,DC
- Temperature range: -25°C to +85°C  
(including temperature rise in applying electrical current)
- Contact resistance: Initial value/10m Ω max.  
After environmental testing/20m Ω max.
- Insulation resistance: 1,000M Ω min.
- Withstanding voltage: 1,000V AC/minute
- Applicable wire: AWG #28 to #20
- Applicable PC board thickness: 1.6mm (.063")
- \* Contact JST if Lead-Free product is required.
- \* Refer to "General Instruction and Notice when using Terminals and Connectors" at the end of this catalog.
- \* Contact JST for details.

## Standards

- Ⓜ Recognized E60389
- Ⓢ Certified LR20812
- Ⓢ R9851219

# XAD CONNECTOR

## Contact



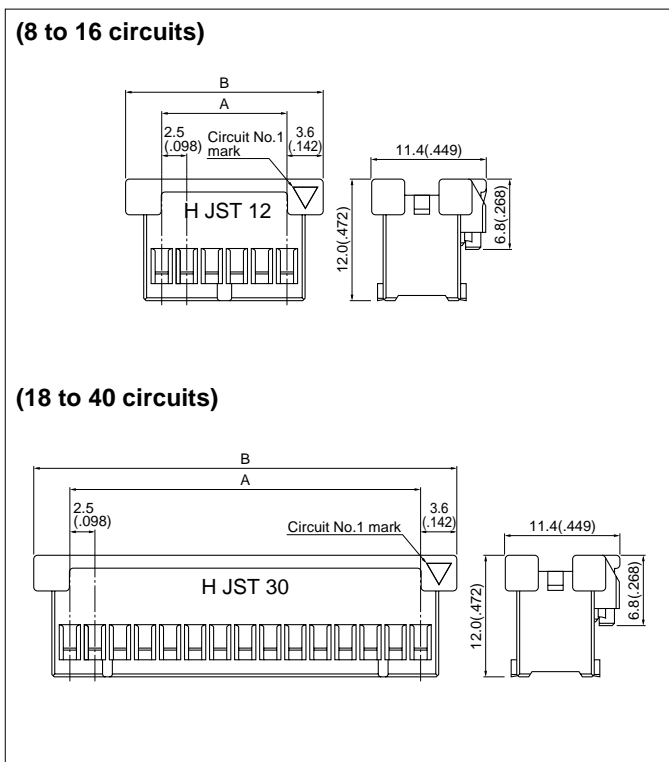
Model No.	Applicable wire			Q'ty / reel
	mm <sup>2</sup>	AWG#	Insulation O.D. mm(in.)	
<b>SXA- 01T-P0.6</b>	0.22 to 0.5	24 to 20	1.5 to 1.9(.059 to .075)	8,000
<b>SXA-001T-P0.6</b>	0.08 to 0.33	28 to 22	1.2 to 1.9(.047 to .075)	8,000
<b>SXA-001T-P0.6L</b>	0.13 to 0.33	26 to 22	1.3 to 1.7(.051 to .067)	8,000

### Material and Finish

Phosphor bronze, tin-plated

Note: 1. SXA-001T-P0.6L is low-insertion force type contact, for easier insertion/withdrawal, which would be less resistant to the vibration. The crimp height is different from the standard contact.  
2. Contact JST for gold-plated contacts.

## Housing



Circuits	Model No.	Dimensions mm(in.)		Q'ty / bag
		A	B	
8	<b>XADRP-08V</b>	7.5(.295)	14.7(.579)	1,000
10	<b>XADRP-10V</b>	10.0(.394)	17.2(.677)	1,000
12	<b>XADRP-12V</b>	12.5(.492)	19.7(.776)	1,000
14	<b>XADRP-14V</b>	15.0(.591)	22.2(.874)	1,000
16	<b>XADRP-16V</b>	17.5(.689)	24.7(.972)	1,000
18	<b>XADRP-18V</b>	20.0(.787)	27.2(1.071)	1,000
20	<b>XADRP-20V</b>	22.5(.886)	29.7(1.169)	500
22	<b>XADRP-22V</b>	25.0(.984)	32.2(1.268)	500
24	<b>XADRP-24V</b>	27.5(1.083)	34.7(1.366)	500
26	<b>XADRP-26V</b>	30.0(1.181)	37.2(1.465)	500
28	<b>XADRP-28V</b>	32.5(1.280)	39.7(1.563)	500
30	<b>XADRP-30V</b>	35.0(1.378)	42.2(1.661)	500
32	<b>XADRP-32V</b>	37.5(1.476)	44.7(1.760)	500
34	<b>XADRP-34V</b>	40.0(1.575)	47.2(1.858)	500
36	<b>XADRP-36V</b>	42.5(1.673)	49.7(1.957)	250
40	<b>XADRP-40V</b>	47.5(1.870)	54.7(2.154)	250

### Material

Nylon 66, UL94V-0, natural (white)

Note: Contact JST if retainers are required.

<For reference> As the color identification, the following alphabet shall be put in the underlined part. For availability, delivery and minimum order quantity, contact JST.

ex. **XADRP-08V-oo**

(blank)...natural (white)

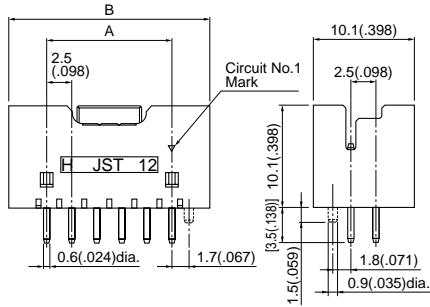
K...black R...red E...blue O...orange M...green

L...lemon yellow PK...pink

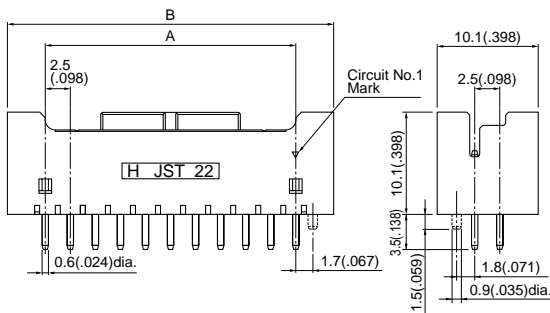
## Shrouded header

### Top entry type

(8 to 16 circuits)

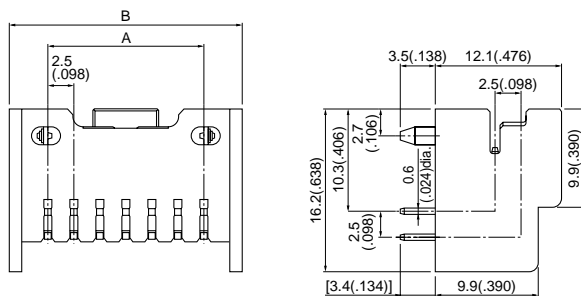


(18 to 40 circuits)

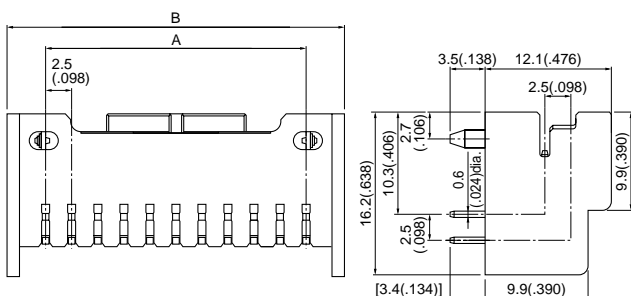


### Side entry type

(8 to 16 circuits)



(18 to 26 circuits)



Circuits	Model No.			Dimensions mm(in.)		Q'ty / box	
	Top entry type		Side entry type	A	B	Top entry type	Side entry type
	Without a boss	With a boss					
8	B08B-XADSS-N	B08B-XADSS-N-A	S08B-XADSS-N	7.5(.295)	15.0(.591)	200	270
10	B10B-XADSS-N	B10B-XADSS-N-A	S10B-XADSS-N	10.0(.394)	17.5(.689)	200	234
12	B12B-XADSS-N	B12B-XADSS-N-A	S12B-XADSS-N	12.5(.492)	20.0(.787)	200	198
14	B14B-XADSS-N	B14B-XADSS-N-A	S14B-XADSS-N	15.0(.591)	22.5(.886)	150	180
16	B16B-XADSS-N	B16B-XADSS-N-A	S16B-XADSS-N	17.5(.689)	25.0(.984)	150	162
18	B18B-XADSS-N	B18B-XADSS-N-A	S18B-XADSS-N	20.0(.787)	27.5(1.083)	150	144
20	B20B-XADSS-N	B20B-XADSS-N-A	S20B-XADSS-N	22.5(.886)	30.0(1.181)	100	126
22	B22B-XADSS-N	B22B-XADSS-N-A	—	25.0(.984)	32.5(1.280)	100	—
24	B24B-XADSS-N	B24B-XADSS-N-A	—	27.5(1.083)	35.0(1.378)	100	—
26	B26B-XADSS-N	B26B-XADSS-N-A	S26B-XADSS-N	30.0(1.181)	37.5(1.476)	100	108
28	B28B-XADSS-N	B28B-XADSS-N-A	—	32.5(1.280)	40.0(1.575)	100	—
30	B30B-XADSS-N	B30B-XADSS-N-A	—	35.0(1.378)	42.5(1.673)	50	—
32	B32B-XADSS-N	B32B-XADSS-N-A	—	37.5(1.476)	45.0(1.772)	50	—
34	B34B-XADSS-N	B34B-XADSS-N-A	—	40.0(1.575)	47.5(1.870)	50	—
36	B36B-XADSS-N	B36B-XADSS-N-A	—	42.5(1.673)	50.0(1.969)	50	—
40	B40B-XADSS-N	B40B-XADSS-N-A	—	47.5(1.870)	55.0(2.165)	50	—

### Material and Finish

Pin: Copper alloy, copper-undercoated, tin/lead-plated  
Wafer: Glass-filled nylon 66, UL94V-0, natural (white)

Note: Contact JST for the headers with gold-plated pins.

<For reference> As the color identification, the following alphabet shall be put in the underlined part.

For availability, delivery and minimum order quantity, contact JST.

ex. **B08B-XADSS-N**

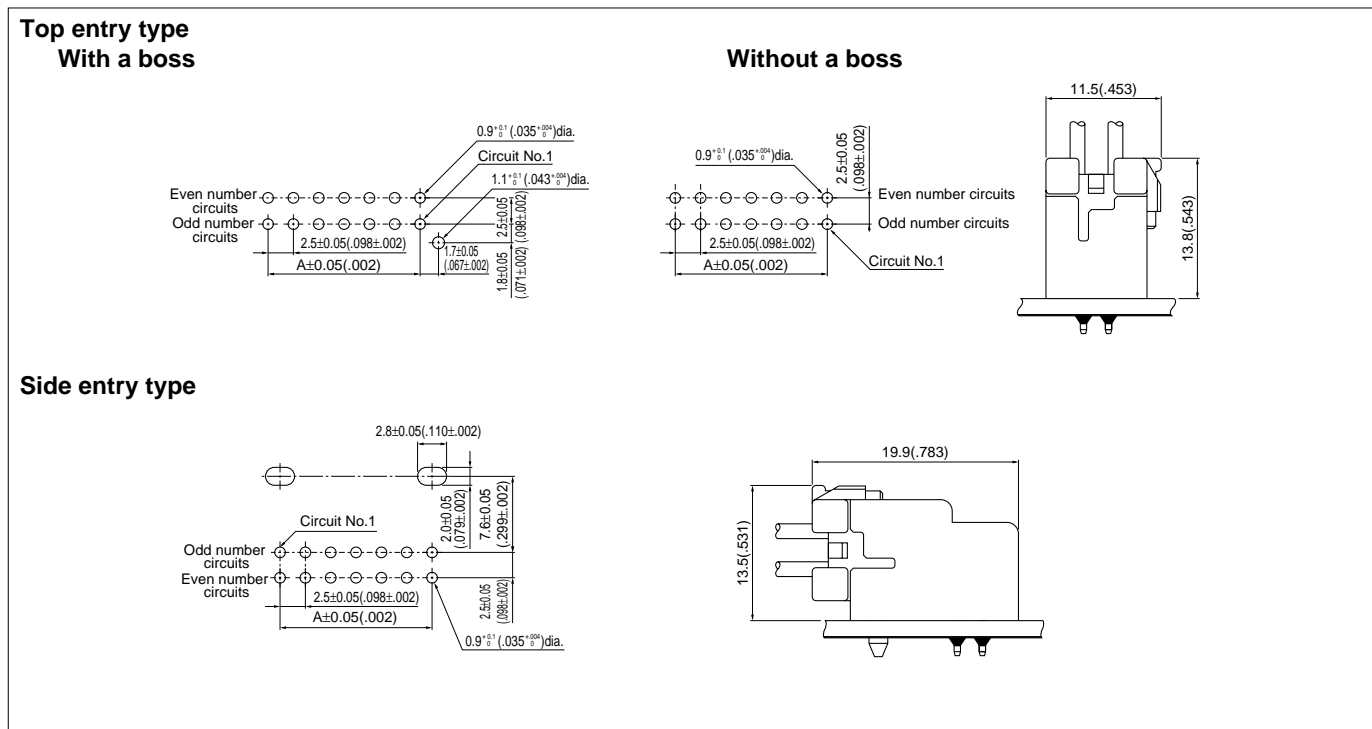
S...natural (white)

K...black R...red E...blue O...orange M...green

L...lemon yellow PK...pink

# XAD CONNECTOR

## PC board layout (viewed from component side) and Assembly layout



**Note:**

1. Tolerances are non-Cumulative: ±0.05mm(±.002") for all centers.
2. Hole dimensions differ according to the kind of PC board and piercing method.  
The dimensions above should serve as a guideline. Contact JST for details.

## Applicator for the semi-automatic press AP-K2N

Contact	Crimp applicator MKS-L		Compact crimp applicator MKS-LS		Strip-crimp applicator MKS-SC
	with safety cover	without safety cover	with safety cover	without safety cover	with safety cover
<b>SXA-001T-P0.6</b>	APLMK SXA/M001-06	APLNC SXA/M001-06	-	-	APLSC SXA/M001-06
<b>SXA-001T-P0.6L</b>	APLMK SXA/M001-06L	APLNC SXA/M001-06L	-	-	APLSC SXA/M001-06L
<b>SXA-01T-P0.6</b>	APLMK SXA01-06	APLNC SXA01-06	-	-	APLSC SXA/M01-06