

LEGEND
 ○ = CRITICAL INSPECTION DIMENSIONS.
 ◇ = KEY PRODUCT CHARACTERISTICS



REV	ZONE	DESCRIPTION	BY	APPR	DATE	ECN
1		ISSUE FOR PRODUCTION	T.N	P.M	10/10/16	9381
2		CHANGE TEXT ORIENTATION, OMIT LEADING ZEROS	T.N	P.M	11/10/16	9383

PART NUMBER BREAKDOWN

AX - MARK X - XXX

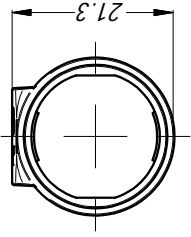
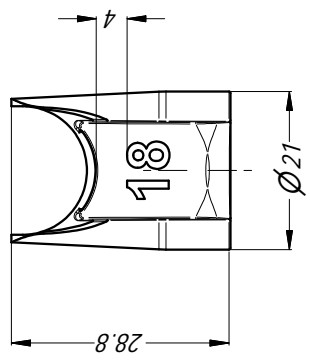
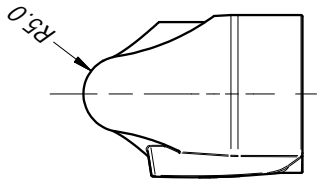
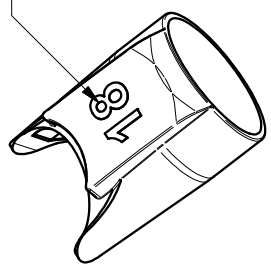
PART DESIGNATION

PRINT NUMBER:
 FROM 1 TO 48 (OMIT LEADING ZEROS)
 BLANK: NO PRINTING

COLOR CODE

- 0: BLACK
- 1: BROWN
- 2: RED
- 3: ORANGE
- 4: YELLOW
- 5: GREEN
- 6: BLUE
- 7: VIOLET
- 8: GREY
- 9: WHITE

EXAMPLE OF PRINT



NOTES:

1. SLEEVE P/No. 52520024-53x TO BE USED FOR ID PRINTING TO PRODUCE P/No. AX-MARKX-XXX. REFER TO DWG 52520024-530
2. PRINT COLOR TO BE BLACK FOR WHITE SLEEVE AND WHITE FOR ALL OF THE REST. TEXT FONT TO BE ARIAL BOLD 5.5mm HIGH.
3. NUMBER 6 AND 9 TO BE UNDERLINED.

UNLESS OTHERWISE SPECIFIED TOLERANCE TO BE		THIS DOCUMENT IS THE PROPERTY OF AMPHENOL AUSTRALIA PTY. LTD. NO PART THEREOF MAY BE REPRODUCED AND USED WITHOUT THE PRIOR WRITTEN CONSENT OF THE OWNER.	
LINEAR	ANGULAR	DRN:	T.N DATE: 14/07/16
X ±0.5	X' ±1	CKD:	P.M DATE: 14/07/16
X.X ±0.1	X.X' ± 30°	APPD:	P.M DATE: 14/07/16
X.XX ±0.05	X.XX' ± 15°	SCALE:	1:1 SIZE: A4
BREAK ALL SHARP EDGES AND REMOVE ALL BURRS		MATERIAL:	
DO NOT SCALE		FINISH:	
DIMENSIONS IN MILLIMETRES		THIRD ANGLE PROJECTION	

Amphenol Amphenol Australia Pty, Ltd, 22 Industry Blvd Carrum Downs, VIC 3201		PART No:	REV
TITLE: ID MARKED SLEEVE AX SERIES		AX-MARKX-XXX	2
DRAWING No. 52520027-000-2		SHEET 1/2	