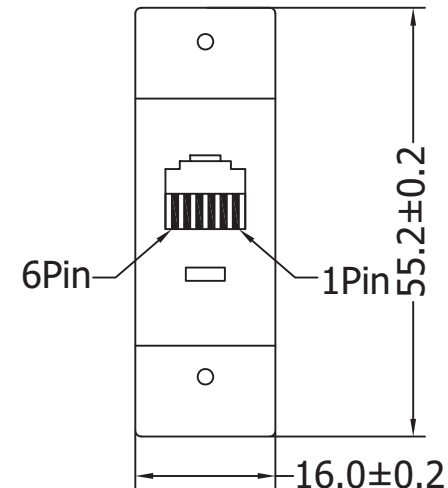
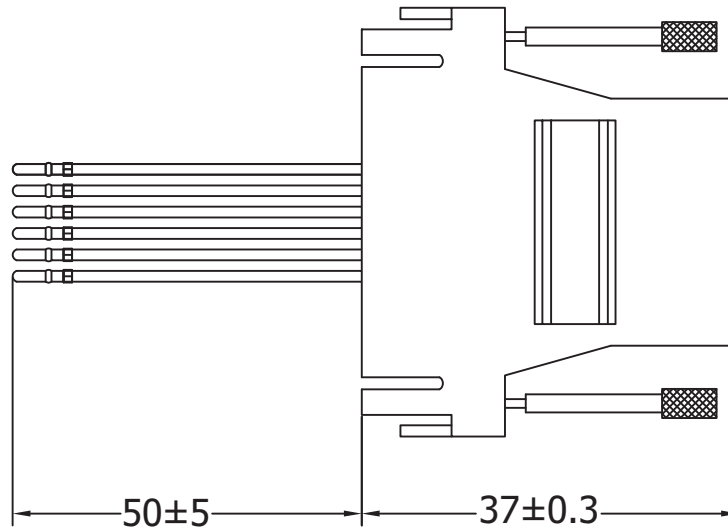
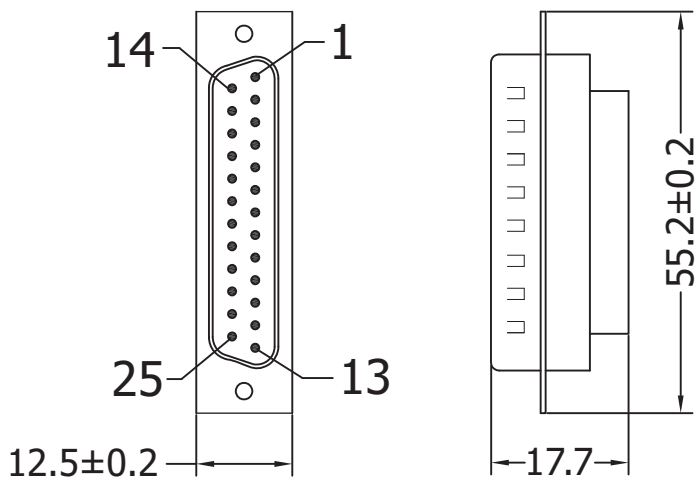
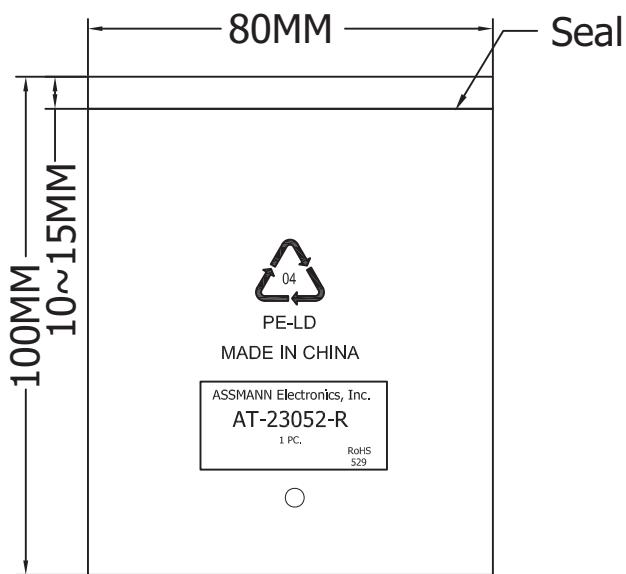


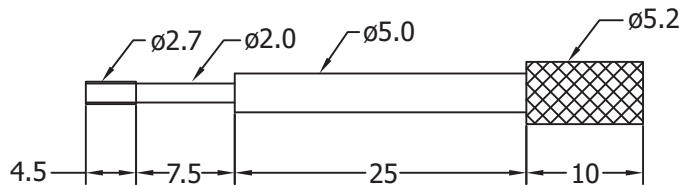
P1



P2



1PCS/PE Bag



Pin Assignment

P1	P2
White	1
Black	2
Red	3
Green	4
Yellow	5
Blue	6

Material:

- Cable: UL 26AWG, 60MM
 - Blue, Black, Red, Green, Yellow, White
- P1 Connector: D-Sub 25-Pin Male
 - Crimp Type
 - Black Insulation
- P2 Connector: RJ12 6P6C Female 3μ"
- Color: Beige
- PVC Housing
- Thumbscrew: 5*37MM

⊕ = Assmann logo



ITEM NO.

AT-23052-R

TITLE

D-Sub Modular Adapter
25-Pin Male <=> RJ12 Female, Beige

ASSMANN

Electronics, Inc.

1840 W. Drake Drive, Suite 101 • Tempe, AZ 85283
Toll Free: 1-877-277-6266 • Email: info@usa-assmann.com

THIS DRAWING IS UNPUBLISHED
©Copyright 2010 by Assmann Electronic Components
All International Rights Reserved