



FREE SAMPLES — FAST!

We'll be happy to provide you with free samples for your next project. Our samples usually ship the same day so you can evaluate our products for your next design. It's as simple as calling your sales rep today or using our convenient web sample request.

QUICK QUOTES

Our customer-driven sales team will provide quotes quickly, usually within hours of being contacted. Our aim is to provide you with pricing information fast, so you can place your order and receive it on time.

CUSTOM CONNECTORS

Whether your next design requires a unique connector or just something simple like a molded-in key, Sullins is ready to provide you with a solution to your particular design challenge. We can design a custom connector for your project with little or no additional cost. Call our sales team today and experience the Sullins Advantage. And, since we manufacture most of our connectors in California, we can usually have a custom product ready in just days.

FREE CONSULTATION

Our engineering and technical teams are experts in edgcard connector and header design. We can help with engineering consultation for a variety of connector applications and a broad range of products. Call us and utilize our technical resources on your next design.

QUICK TURNAROUND

Your project is important to us, so fast delivery is our primary goal. Our average lead times are less than five days, and many orders ship the same day. We strive to provide you with the best quality products in record time. Great products, delivered fast! Our goal is to keep your project on track.

EASY PRODUCT SEARCH

Returning customer? Quickly find a product by part number by using our index on pages 127 - 131.

CONTACT US

E-mail	Online	Phone	Fax	Mail
info@sullinscorp.com	www.sullinscorp.com	toll-free 888.774.3100 international 760.744.0125	760.744.6081	801 E. Mission Road San Marcos, CA 92069 USA



Sullins Edgecards

GENERAL SPECIFICATIONS 4
PART NUMBER OPTIONS 5
1.00 mm [.039"] Contact Centers
15.49 mm Profile, Dip Solder/Card Extender/SMT 6
21.84 mm Profile, Right Angle 8
15.49 mm PCI Express Dip Solder 10
15.49 mm PCI Express Card Extender for Straddle Mount 12
.050" [1.27 mm] Contact Centers
.610" Profile, Dip Solder/Card Extender/SMT 14
.915" Profile, Right Angle 16
.610" Profile, [MCA] Dip Solder/Card Extender/SMT 18
.915" Profile, [MCA] Right Angle 20
.610" Profile, [PCI] Dip Solder/Card Extender/SMT 22
.915" Profile, [PCI] Right Angle 24
Bi-Level, .050" [1.27 mm] / .100" [2.54 mm] Contact Centers
Bi-Level, High Density, Card Extender, Dip Solder 26
Bi-Level, High Density, Right Angle 28
Male Edgecards, .100" [2.54 mm] Contact Centers
.540" Profile, Male Edgecard, Dip Solder/Right Angle/Card Extender 30
.100" [2.54 mm] Contact Centers
.431" Profile, Dip Solder/Eyelet/Right Angle for .062"[1.57] or .031"[0.79] Mating PCB 32
.431" Profile, Dip Solder/Eyelet/Right Angle for .093"[2.36] Mating PCB 34
.550" or .610" Profile, Press Fit 36
.610" Profile, Dip Solder/Wire Wrap/Right Angle/Card Extender 38
.610" Profile, Dip Solder/Wire Wrap/Right Angle for .093"[2.36] or .125"[3.18] Mating PCB 40
.610" Profile, .400" Wide Body for .093"[2.36] Mating PCB, Dip Solder/Wire Wrap/Right Angle/Card Extender 42
.610" Profile, Dip Solder/ Wire Wrap/Right Angle [ISA] 44
.690" Profile, Make Before Break Dip Solder/Card Extender/Right Angle 46
.125" [3.18 mm] Contact Centers
.431" Profile, Dip Solder/Eyelet/Right Angle for .062"[1.57] or .031"[0.79] Mating PCB 48
.610" Profile, Dip Solder/Wire Wrap/Right Angle 50
.610" Profile, Dip Solder/Wire Wrap/Right Angle for .093"[2.36] or .125"[3.18] Mating PCB 52
.150" [3.81 mm] Contact Centers
.550" Profile, Dip Solder/Wire Wrap 54
Bi-Level, .078" [1.98 mm] / .156" [3.96 mm] Contact Centers
Bi-Level, High Density, Right Angle 56
.156" [3.96mm] Contact Centers
.431" Profile, Dip Solder/Eyelet/Right Angle 58
.431" Profile, Special Body Configuration, Dip Solder/Eyelet/Right Angle 60
.610" Profile, Dip Solder/Wire Wrap/Right Angle 62
.610" Profile, Dip Solder/Wire Wrap/Right Angle for .093"[2.36] or .125"[3.18] Mating PCB 64
.720" Profile, .045" sq./.031" x .062" Wire Wrap/Dip Solder 66
.720" Profile, .045" sq. Make Before Break Wire Wrap 68



Sullins Headers

.050" [1.27 mm] Contact Centers

.050" [1.27mm] Contact Centers, Male Header70

.050"[1.27mm] Contact Centers, Female Header72

.079" [2.00 mm] Contact Centers

.079" [2mm] Contact Centers, Male Header74

.079"[2mm] Contact Centers, Female Header76

.100" [2.54 mm] Contact Centers

.100" [2.54mm] Contact Centers, Male Breakaway Header78

.100" [2.54 mm] Contact Centers, Female Header80

Micro Plastics Edgcards

GENERAL SPECIFICATIONS82

PART NUMBER OPTIONS83

.100" [2.54 mm] Contact Centers

.431" Profile, Dip Solder84

.431" Profile, Card Extender86

.431" Profile, Eyelet88

.610" Profile, Wire Wrap & Dip Solder90

.550" Profile, .025" Square Card Extender92

.610" Profile, Right Angle94

.610" Profile, Special 18/31 with Barrier, Dip Solder/ Wire Wrap [ISA]96

.125" [3.18 mm] Contact Centers

.431" Profile, Dip Solder98

.431" Profile, Card Extender100

.431" Profile, Eyelet102

.610" Profile, Wire Wrap & Dip Solder104

.550" Profile, .025" Square Card Extender106

.610" Profile, Right Angle108

.150" [3.81 mm] Contact Centers

.550" Profile, .025" Square & .026" Round Dip Solder110

.156" [3.96 mm] Contact Centers

.431" Profile, Dip Solder112

.431" Profile, Card Extender114

.431" Profile, Eyelet116

.610" Profile, Wire Wrap & Dip Solder118

.550" Profile, .025" Square Card Extender120

.610" Profile, Right Angle122

.720" Profile, .045" Square Wire Wrap124

Polarizing Keys

Polarizing Keys, In Between Contact & In Contact126

Part Number Index127



GENERAL SPECIFICATIONS

RoHS COMPLIANT



RoHS
COMPLIANT

All parts are currently manufactured with recommended materials to meet RoHS standards. All contacts have 50u" of nickel underplating, and a large selection of plating options: Pure tin matte, overall gold, or selective gold plating. For complete part number information or operating/processing temperature parameters, visit the RoHS section of our website, or refer to page 5 of this catalog.

MATERIALS

Insulator

- PBT, Valox*, Thermoplastic Polyester
- PPS, Ryton*, Polyphenylene Sulfide
- PEEK, Polyetheretherketone
- PA9T, High Temperature Polyamide
- Other materials available. Consult Factory

Contacts

Phosphor Bronze (Standard), Beryllium Copper, Beryllium Nickel, Spinodal**, Brass

Plating

Gold and/or Tin over .000050" Nickel Underplate, Lead Free

UL/CUL File Number: E64287

Cage Code: 54453

MECHANICAL

Board Insertion Force 16 oz Maximum per contact pair using .062"[1.58mm] thick steel test blade

Board Withdrawal Force 1 oz Minimum per contact pair using .062"[1.58mm] thick steel test blade

Special Insertion/Withdrawal forces available upon request

ELECTRICAL

Insulation Resistance: 5,000 Mega Ohm

Dielectric Withstanding Voltage

Contact Centers:	.039"[1mm]	.050"[1.27mm]	.100"[2.54mm]	.125"[3.18mm]	.150"[3.81mm]	.156"[3.96mm]
Voltage:	125 VDC	250 VDC	600 VDC	800 VDC	1500 VDC	1800 VDC
	225 VAC	300 VAC	750 VAC	750 VAC	900 VAC	950 VAC

Current Rating: 1 to 5 amp per contact

Voltage Drop: 30 milli volt at rated current

Contact Resistance: 30 milli ohm maximum at rated current

ENVIRONMENTAL

Solvent resistance: Perchloroethylene, Freon 113, Freon 11, Trichloroethylene

Operating Temperature:	PBT	-65° to +130°C	Phosphor Bronze	-65° to +125°C
	PPS	-65° to +200/220°C***	Beryllium Copper	-65° to +150°C
	PEEK	-65° to +250°C***	Spinodal**	-65° to +200°C
	PA9T	-65° to +150°C	Beryllium Nickel***	-65° to +300°C

(Continuous temperatures, higher for short duration. Contact Factory for details.)

* Or equivalent.

** Consult factory for special soldering guidelines.

*** Consult factory.



PART NUMBER OPTIONS

Sullins Edgecards

E B M 43 D RT H - Sxxx

MATERIALS (Insulator/Contact)

- E = PBT & Phosphor Bronze
OPERATING TEMPERATURE: -65°C to +125°C
PROCESSING TEMP: 260°C FOR 10 sec. MAX.
(230°C, 30 sec.)
- R = PPS & Phosphor Bronze
OPERATING TEMPERATURE: -65°C to +125°C
PROCESSING TEMPERATURE: 260°C FOR 120 sec. MAX.
- G = PA9T & PHOSPHOR BRONZE
OPERATING TEMPERATURE: -65°C to +125°C
PROCESSING TEMPERATURE: 260° FOR 120 sec. MAX.
- H = PBT & Beryllium Copper
OPERATING TEMPERATURE: -65°C to +125°C
PROCESSING TEMP: 260°C FOR 10 sec. MAX.
(230°C, 30 sec.)
- A = PPS & Beryllium Copper
OPERATING TEMPERATURE: -65°C to +150°C
PROCESSING TEMPERATURE: 260°C FOR 120 sec. MAX.
- J = PA9T & Beryllium Copper
OPERATING TEMPERATURE: -65°C to +150°C
PROCESSING TEMPERATURE: 260°C FOR 120 sec. MAX.
- M = White PA9T/Beryllium Copper
OPERATING TEMPERATURE: -65°C to +150°C
- F = PPS & Spinodal (Consult Factory)
OPERATING TEMPERATURE: -65°C to +200°C
- C = PPS & Beryllium Nickel (Consult Factory)
OPERATING TEMPERATURE: -65°C to +200°C
PROCESSING TEMPERATURE: 260°C FOR 120 sec. MAX.
- W = PEEK & Beryllium Nickel (Consult Factory)
OPERATING TEMPERATURE: -65°C to +250°C
- N = Nylon 6T & Phosphor Bronze
OPERATING TEMPERATURE: -10°C to +85°C
PROCESSING TEMPERATURE: 260°C for 10 sec. MAX.

CONTACT FINISH - RoHS Compliant

All platings are Lead Free and have .000050" Nickel underplate

	Contact Surface	Termination
B =	.000010" Gold	.000100" Pure Tin, Matte
C =	.000030" Gold	.000100" Pure Tin, Matte
G =	.000010" Gold	.000005" Gold
Y =	.000030" Gold	.000005" Gold
	Contact Surface	Overall Plating
S =	.000010" Gold	.000010" Gold
M =	.000030" Gold	.000010" Gold
E =	.000100" Pure Tin, Matte	.000100" Pure Tin, Matte

CONTACT CENTERS

- E = 1.00mm [.039"]
- B = .050" [1.27 mm]
- K = .078" [1.98 mm]
- C = .100" [2.54 mm]
- A = .125" [3.18 mm]
- J = .150" [3.84 mm]
- M = .156" [3.96 mm]

NUMBER OF CONTACT POSITIONS

See applicable specification page

READOUT

- D = Dual
- D = Dual Row/ Crimp to Center for Single Readout
- H = Half Loaded
- M = Male Edgecard

Registered Trademarks

- Sabic Innovative Plastics: Valox
- Phillips 66: Ryton
- Gardner-Denver Co.: Wire Wrap
- RTP Compounder: PEEK
- Sullins Electronics: Zero Lead Time
- Sullins Electronics: Sullins
- Underwriters Labs: UL
- Ametek: Spinodal

Specifications are subject to change without notice.

MODIFICATION CODE (Consult Factory)
OMIT FOR STANDARD

MOUNTING STYLE

- H = Clearance Holes, .125" [3.18mm] Dia
- N = No Mounting
- S = Side Mounting, .125" [3.18mm] Dia
- I = #4-40 Threaded Insert
- F = Floating Bobbin
- W = .430" Ears, Flush Mounting, .125" [3.18mm] Dia
- D = .250" Ears, Flush Mounting, .125" [3.18mm] Dia
- P = Clearance Holes, .142" [3.61mm] Dia.
- B = Open Card Slot
- X = .430" Ears, Flush Mounting, #4-40 Threaded Insert
- T = .250" Ears, Flush Mounting, #4-40 Threaded Insert
- Q = Straddle Mount
- Z = .250" Ears, Flush, Side Mounting

TERMINATION TYPE

Card Extender

- HR = .050" & 1mm Contact Centers
- KR,KN = .025" [.64mm] Square Post, Cantilever

Dip Solder - High Profile

- RS = .025 [.64mm] Square Tail, Loop Bellows
- CS,SC = .025" [.64mm] Square Tail, Hairpin Bellows
- TK = .026" [.66mm] Round Tail, Loop Bellows
- CT,CW = .015" x .025" Tail, Hairpin Bellows
- CK = .026" [.66mm] Round Tail, Loop Bellows

- HH,HL,HN = 1mm [.039"] Contact Centers
- HH,HL,HN = .050" Contact Centers

- KS,KD = .025" [.64mm] Square Post, Cantilever

Dip Solder - Low Profile

- SX,SU = Crimp to Center for Single Readout
- RT,RK,RY = .140" [3.56mm] Row Spacing
- RX,RF,RU,RP = .200" [5.08mm] Row Spacing
- RJ = .250" [6.35mm] Row Spacing

Eyelet

- RE,TE,SE = Eyelet Tail

Press Fit

- .200" [5.08mm] Row Spacing
- .100" [2.54mm] Row Spacing
- JB = .025" [.64mm] Sq. Post
- JF = .025" [.64mm] Sq. Post
- JC = .025" [.64mm] Sq. Post
- JG = .025" [.64mm] Sq. Post
- JW = .025" [.64mm] Sq. Post
- JY = .025" [.64mm] Sq. Post
- JX = .025" [.64mm] Sq. Post
- JZ = .025" [.64mm] Sq. Post

Right Angle

- RA,SA = Right Angle, Full Bellows
- TA,TB,TM = Right Angle, Loop Bellows
- CA,CB,CC = Right Angle, Hairpin Bellows
- HA = Right Angle, .050" & 1mm Contact Centers
- HB = Right Angle, .050" Contact Centers
- KA,KE,KU,KJ = .025" [.64mm] Square Post, Cantilever

Surface Mount

- HF = Surface Mount, .050" & 1mm Contact Centers

Wire Wrap

- RM = .025" [.64mm] Square Post, Loop Bellows
- CM,MC = .025" [.64mm] Square Post, Hairpin Bellows
- KK = .031" [.79mm] x .062" [1.58mm] Post
- KL = .031" [.79mm] x .062" [1.58mm] Post Twisted 90°
- KM = .025" [.64mm] Square Post, Cantilever
- WW = .045" [1.14mm] Square Post

Bi-Level Terminations

- LR = Card Extender
- LT = Dip Solder
- KB = Right Angle

Male Edgecards

- MW,MS = Dip Solder
- MA,MV,MB = Right Angle
- MD,MJ,MK = Right Angle
- MR,MN = Card Extender
- MM = Wire Wrap



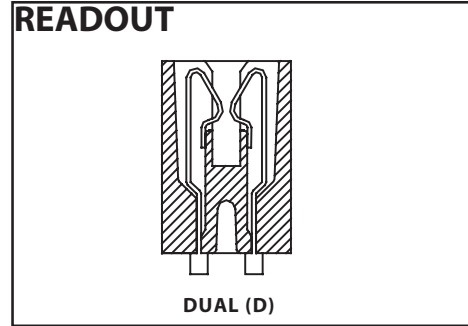
1.00 mm [.039"] Contact Centers, 15.49 mm Insulator Height Dip Solder/Card Extender/SMT

Sullins Edgecards

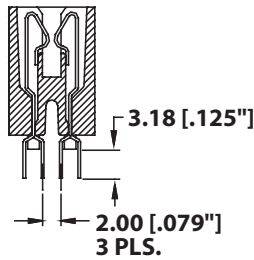
SPECIFICATIONS

- Accommodates 1.57 mm \pm .20 [.062" \pm .008"] PC board
- PPS or PA9T insulator
- Molded-in key available
- 1 amp current rating per contact
- Highly reliable high cycle hairpin bellow contacts
- 150 grams normal force minimum

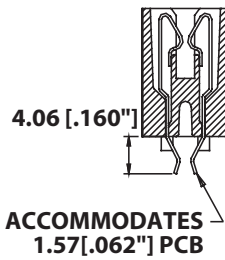
READOUT



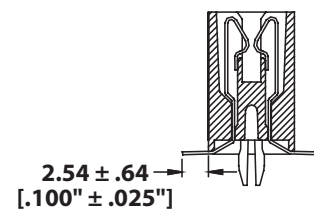
TERMINATION TYPE



STAGGERED DIP SOLDER (HH)

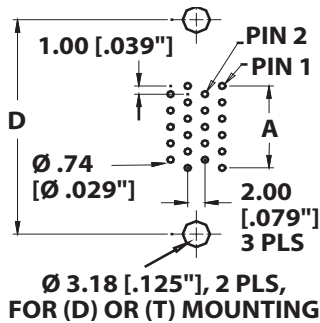


CARD EXTENDER (HR)

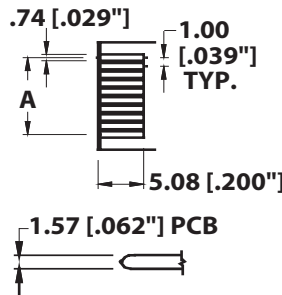


SURFACE MOUNT (HF)

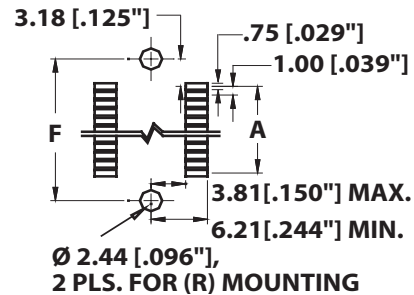
PCB LAYOUT



CONNECTOR SIDE (HH)

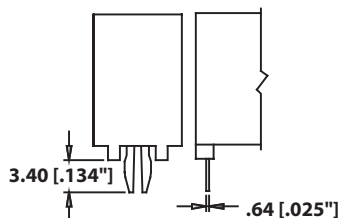


SOLDER END (HR)



CONNECTOR SIDE (HF)

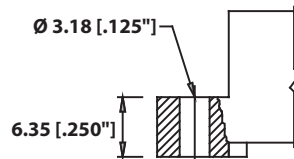
MOUNTING STYLE



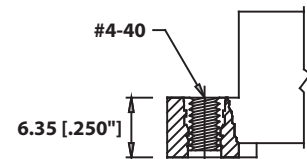
BOARD LOCK (R)



NO MOUNTING EARS (N)



FLUSH MOUNTING (D)



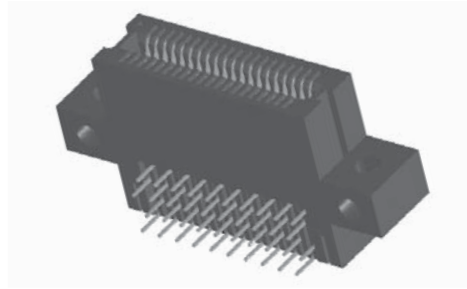
THREADED INSERT (T)



**1.00 mm [.039"] Contact Centers, 21.84 mm Insulator Height
Right Angle**

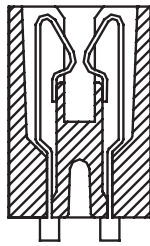
SPECIFICATIONS

- Accommodates 1.57 mm ± .20 [.062" ± .008"] PC board
- PA9T or PPS insulator
- Molded-in key available
- High reliability/high cycle hairpin bellows contact
- 1 amp current rating per contact
- 150 grams normal force minimum



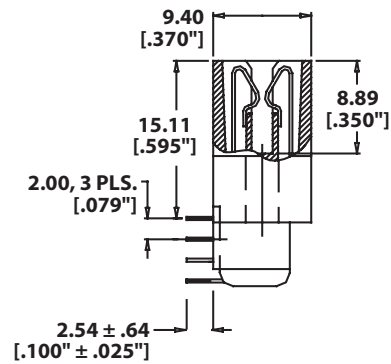
Sullins Edgecards

READOUT

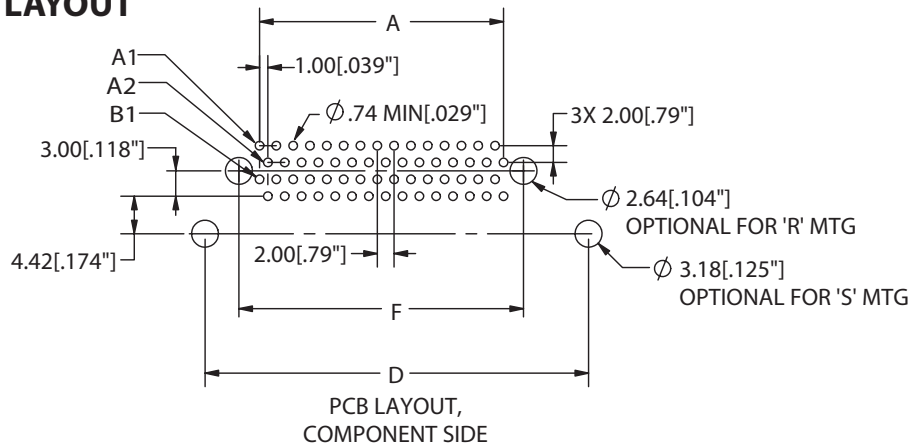


DUAL (D)

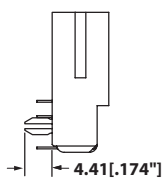
TERMINATION TYPE



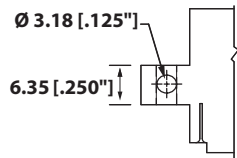
PCB LAYOUT



MOUNTING STYLE



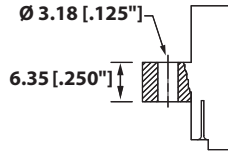
BOARD LOCK (R)
(with no mounting ears)



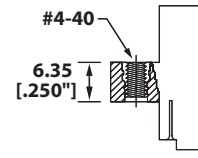
SIDE MOUNTING (S)



NO MOUNTING EARS (N)



CLEARANCE HOLE (D)



THREADED INSERT (T)



1.00 mm [.039"] Contact Centers, 21.84 mm Insulator Height Right Angle

PART NUMBER CODING

MATERIALS (INSULATOR/CONTACT)

- R = PPS/Phosphor Bronze
- G = PA9T/Phosphor Bronze
- A = PPS/Beryllium Copper
- J = PA9T/Beryllium Copper

CONTACT FINISH - RoHS Compliant

All platings are Lead Free and have .000050" Nickel underplate
Contact Surface Termination

- B = .000010" Gold .000100" Pure Tin, Matte
- C = .000030" Gold .000100" Pure Tin, Matte

CONTACT CENTERS

- E = 1mm [.039"]

G B E 50 D HA D - Sxxx

MODIFICATION CODE (Consult Factory)
OMIT FOR STANDARD

MOUNTING STYLE (Opposite Page)

- D = Flush Mounting
- N = No Mounting
- R = Metal Board Lock
- S = Side Mounting
- T = Flush Mounting with Threaded Insert

TERMINATION TYPE (Opposite Page)

- HA = Staggered Dip Solder, Right Angle

READOUT (Opposite Page)

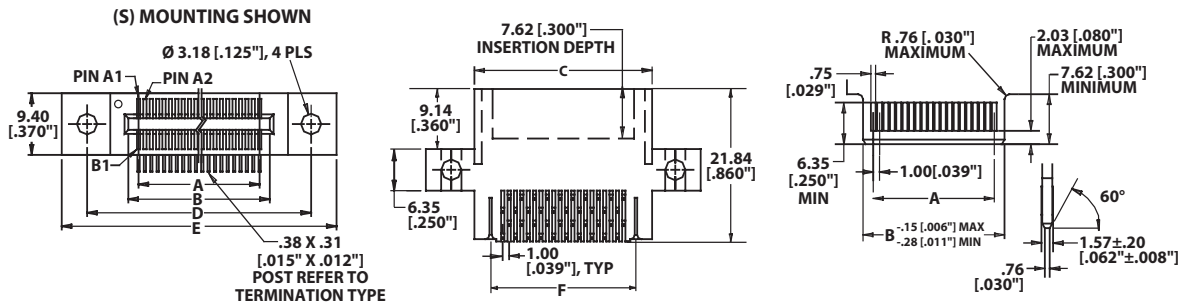
- D = Dual

NUMBER OF CONTACT POSITIONS

See Chart Below

DIMENSIONS

Dimensions in [] are in Inches, all others are in Millimeters



POSITIONS/ CONTACTS	MILLIMETERS						[INCHES]					
	A ±.13	B ±.13	C ±.38	D ±.25	E ±.51	F ±.25	A ±.005	B ±.005	C ±.015	D ±.010	E ±.020	F ±.010
02/04*	1.00	4.32	10.89	17.15	25.13	5.25	0.039	0.170	0.389	0.675	0.989	0.207
03/06*	2.00	5.32	10.89	18.15	26.13	6.25	0.079	0.210	0.429	0.715	1.029	0.246
04/08*	3.00	6.32	11.89	19.15	27.13	7.25	0.118	0.249	0.468	0.754	1.068	0.285
05/10	4.00	7.32	12.89	20.15	28.13	8.25	0.157	0.288	0.507	0.793	1.107	0.325
06/12	5.00	8.32	13.89	21.15	29.13	9.25	0.197	0.328	0.547	0.833	1.147	0.364
07/14	6.00	9.32	14.89	22.15	30.13	10.25	0.236	0.367	0.586	0.872	1.186	0.404
08/16	7.00	10.32	15.89	23.15	31.13	11.25	0.276	0.407	0.626	0.912	1.226	0.443
09/18	8.00	11.32	16.89	24.15	32.13	12.25	0.315	0.446	0.665	0.951	1.265	0.482
10/20	9.00	12.32	17.89	25.15	33.13	13.25	0.354	0.485	0.704	0.990	1.304	0.522
11/22	10.00	13.32	18.89	26.15	34.13	14.25	0.394	0.525	0.744	1.030	1.344	0.561
12/24	11.00	14.32	19.89	27.15	35.13	15.25	0.433	0.564	0.783	1.069	1.383	0.600
13/26	12.00	15.32	20.89	28.15	36.13	16.25	0.472	0.603	0.822	1.108	1.422	0.640
14/28	13.00	16.32	21.89	29.15	37.13	17.25	0.512	0.643	0.862	1.148	1.462	0.679
15/30	14.00	17.32	22.89	30.15	38.13	18.25	0.551	0.682	0.901	1.187	1.501	0.719
16/32	15.00	18.32	23.89	31.15	39.13	19.25	0.591	0.722	0.941	1.227	1.541	0.758
17/34	16.00	19.32	24.89	32.15	40.13	20.25	0.630	0.761	0.980	1.266	1.580	0.797
18/36	17.00	20.32	25.89	33.15	41.13	21.25	0.669	0.800	1.019	1.305	1.619	0.937
19/38	18.00	21.32	26.89	34.15	42.13	22.25	0.709	0.840	1.059	1.345	1.659	0.876
20/40	19.00	22.32	27.89	35.15	43.13	23.25	0.748	0.879	1.098	1.384	1.698	0.915
21/42	20.00	23.32	28.89	36.15	44.13	24.25	0.787	0.918	1.137	1.423	1.737	0.955
22/44	21.00	24.32	29.89	37.15	45.13	25.25	0.827	0.958	1.177	1.463	1.777	0.994
23/46	22.00	25.32	30.89	38.15	46.13	26.25	0.866	0.997	1.216	1.502	1.816	1.033
24/48	23.00	26.32	31.89	39.15	47.13	27.25	0.906	1.037	1.256	1.542	1.856	1.073
25/50	24.00	27.32	32.89	40.15	48.13	28.25	0.945	1.076	1.295	1.581	1.895	1.112
26/52	25.00	28.32	33.89	41.15	49.13	29.25	0.984	1.115	1.334	1.620	1.934	1.152
27/54	26.00	29.32	34.89	42.15	50.13	30.25	1.024	1.155	1.374	1.660	1.974	1.191
28/56	27.00	30.32	35.89	43.15	51.13	31.25	1.063	1.194	1.413	1.699	2.013	1.230
29/58	28.00	31.32	36.89	44.15	52.13	32.25	1.102	1.233	1.452	1.738	2.052	1.270
30/60	29.00	32.32	37.89	45.15	53.13	33.25	1.142	1.273	1.492	1.778	2.092	1.309
31/62	30.00	33.32	38.89	46.15	54.13	34.25	1.181	1.312	1.531	1.817	2.131	1.348
32/64	31.00	34.32	39.89	47.15	55.13	35.25	1.220	1.351	1.570	1.856	2.170	1.388
33/66	32.00	35.32	40.89	48.15	56.13	36.25	1.260	1.391	1.610	1.896	2.210	1.427
34/68	33.00	36.32	41.89	49.15	57.13	37.25	1.299	1.430	1.649	1.935	2.249	1.467
35/70	34.00	37.32	42.89	50.15	58.13	38.25	1.339	1.470	1.689	1.975	2.289	1.506
36/72	35.00	38.32	43.89	51.15	59.13	39.25	1.378	1.509	1.728	2.014	2.328	1.545
37/74	36.00	39.32	44.89	52.15	60.13	40.25	1.417	1.548	1.767	2.053	2.367	1.585
38/76	37.00	40.32	45.89	53.15	61.13	41.25	1.457	1.588	1.807	2.093	2.407	1.624
39/78	38.00	41.32	46.89	54.15	62.13	42.25	1.496	1.627	1.846	2.132	2.446	1.663
40/80	39.00	42.32	47.89	55.15	63.13	43.25	1.535	1.666	1.885	2.171	2.485	1.703
41/82	40.00	43.32	48.89	56.15	64.13	44.25	1.575	1.706	1.925	2.211	2.525	1.742
42/84	41.00	44.32	49.89	57.15	65.13	45.25	1.614	1.745	1.964	2.250	2.564	1.781
43/86	42.00	45.32	50.89	58.15	66.13	46.25	1.654	1.785	2.004	2.290	2.604	1.821
44/88	43.00	46.32	51.89	59.15	67.13	47.25	1.693	1.824	2.043	2.329	2.643	1.860
45/90	44.00	47.32	52.89	60.15	68.13	48.25	1.732	1.863	2.082	2.368	2.682	1.900
46/92	45.00	48.32	53.89	61.15	69.13	49.25	1.772	1.903	2.122	2.408	2.722	1.939
47/94	46.00	49.32	54.89	62.15	70.13	50.25	1.811	1.942	2.161	2.447	2.761	1.978
48/96	47.00	50.32	55.89	63.15	71.13	51.25	1.850	1.981	2.200	2.486	2.800	2.018
49/98	48.00	51.32	56.89	64.15	72.13	52.25	1.890	2.021	2.240	2.526	2.840	2.057
50/100	49.00	52.32	57.89	65.15	73.13	53.25	1.929	2.060	2.279	2.565	2.879	2.096

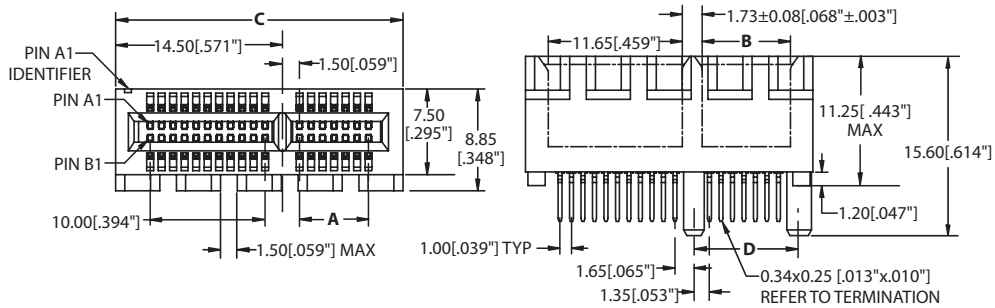
* Consult Factory For Availability



**1.00 mm [.039"] Contact Centers, PCI Express,
Dip Solder**

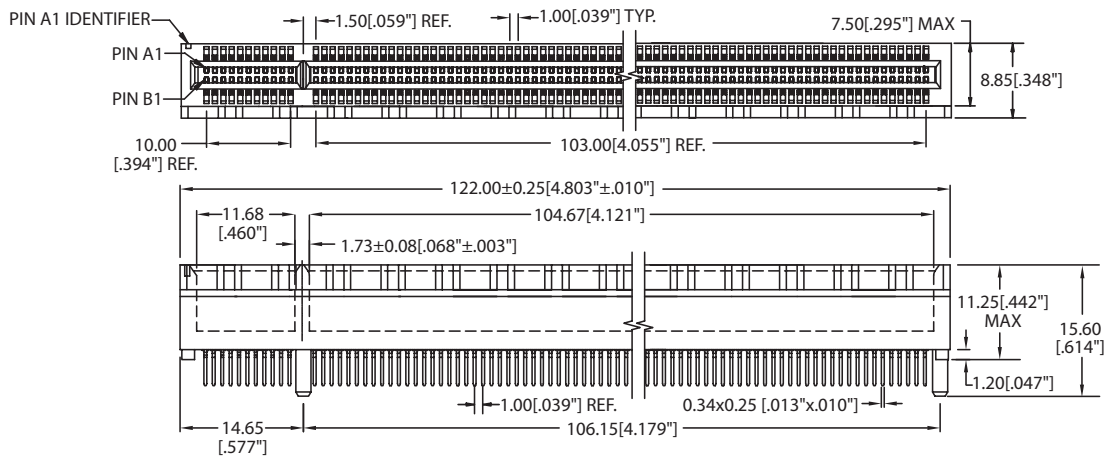
Sullins Edgcards

DIMENSIONS Dimensions in [] are in Inches, all others are in Millimeters

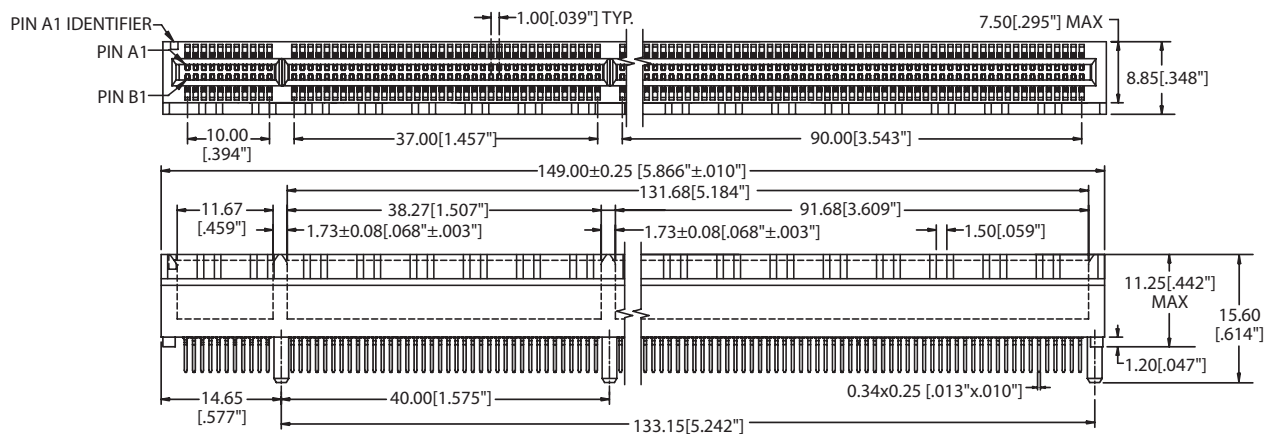


STAGGERED DIP SOLDER (HH)

POSITIONS/ CONTACTS	MILLIMETERS				[INCHES]			
	A ± 0.15	B ± 0.15	C ± 0.15	D ± 0.15	A ± 0.006"	B ± 0.006"	C ± 0.006"	D ± 0.006"
18/36	6.00	7.65	25.00	9.15	0.236	0.301	0.984	0.360
32/64	20.00	21.65	39.00	23.15	0.787	0.852	1.535	0.911
49/98	37.00	38.65	56.00	40.15	1.457	1.522	2.205	1.581
82/164	70.00	71.65	89.00	73.15	2.756	2.821	3.504	2.880



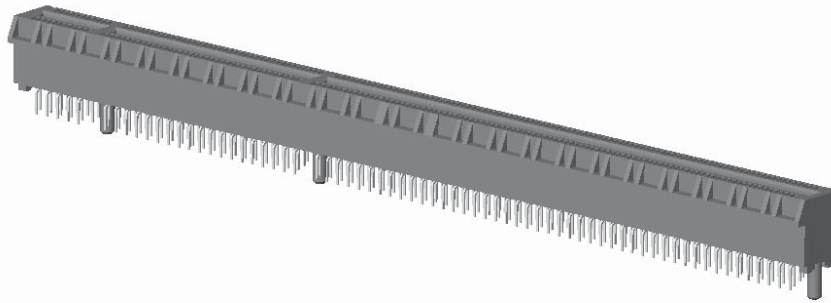
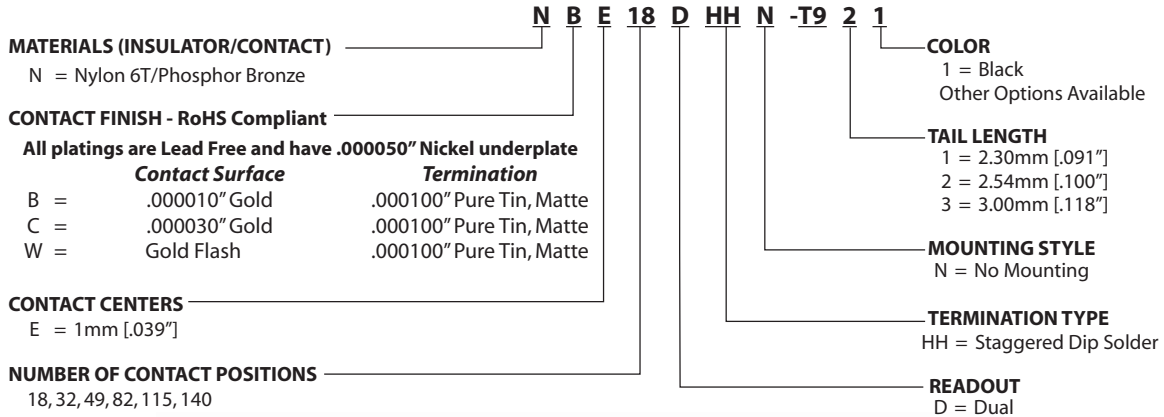
115/230 POSITION, STAGGERED DIP SOLDER (HH)



140/280 POSITION, STAGGERED DIP SOLDER (HH)



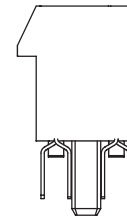
PART NUMBER CODING



SPECIFICATIONS

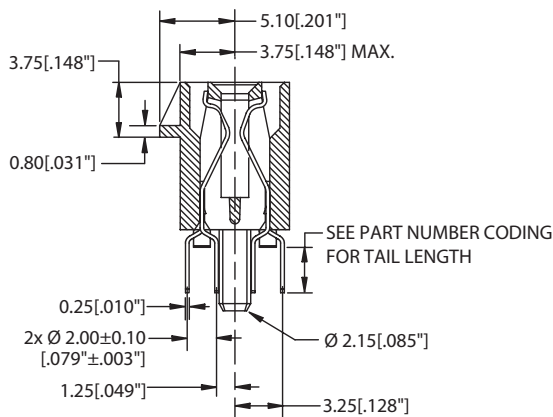
- All PCI Express parts meet the latest PCI Express specifications
- Supports 2.5 Gb/s Data Transfer Rate (per pair data bandwidth)
- Accommodates 1.57mm ± 0.20mm [.062" ± .008"] PC board
- Nylon 6T insulator
- 1.1 amp current rating per contact

READOUT



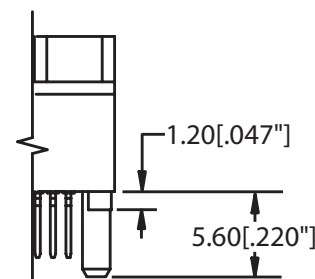
DUAL (D)

TERMINATION TYPE



Staggered Dip Solder (HH)

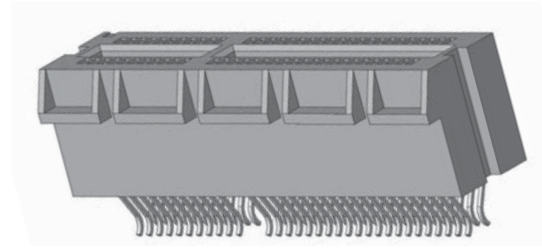
MOUNTING STYLE



No Mounting Ears (N)

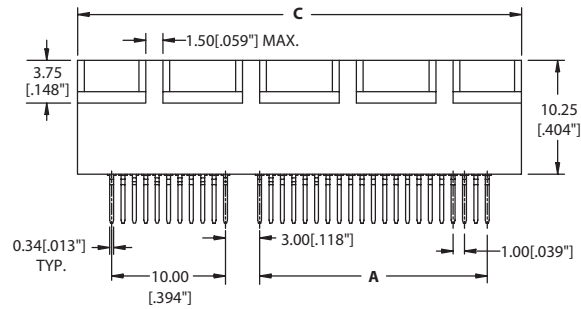
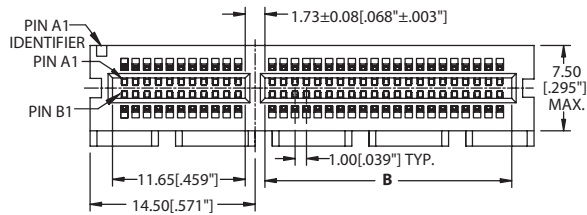


**1.00 mm [.039"] Contact Centers, PCI Express,
Card Extender for Surface Mount**



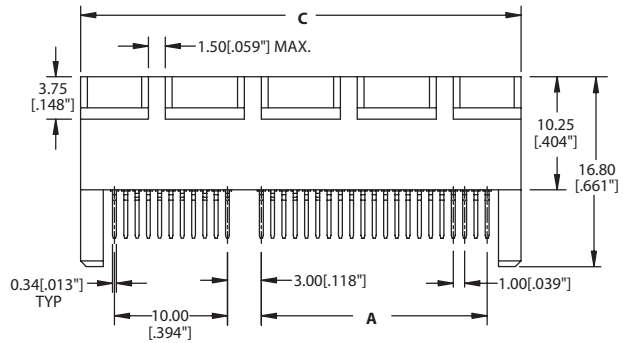
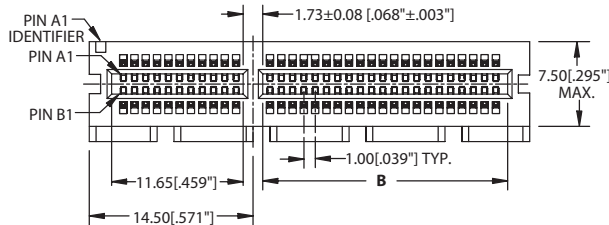
Sullins Edgcards

DIMENSIONS Dimensions in [] are in Inches, all others are in Millimeters



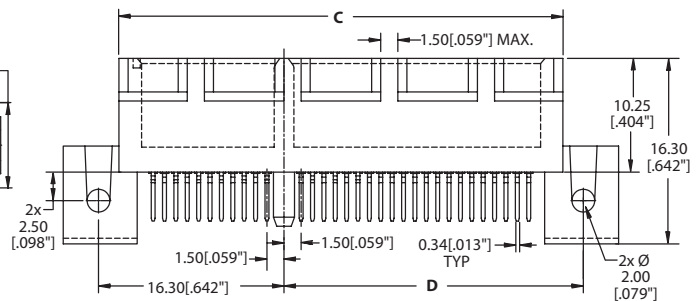
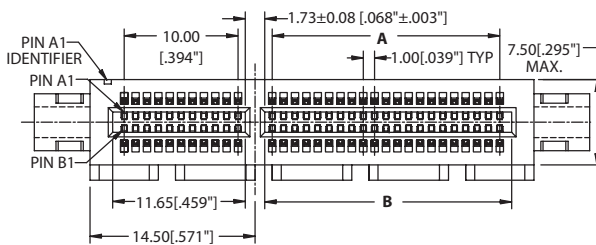
STRADDLE MOUNT

Example Part Number: NBE18DHRN-T941



STRADDLE MOUNT with PEGS

Example Part Number: NBE18DHRN-T9410



STRADDLE MOUNT with CLIPS

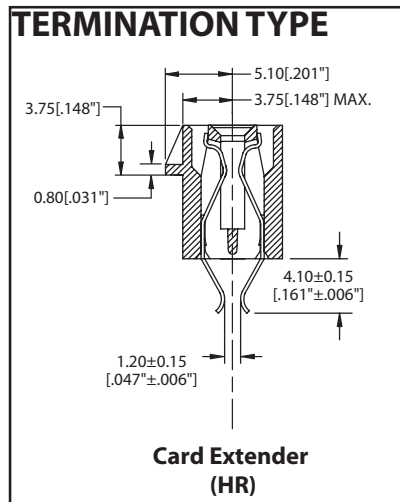
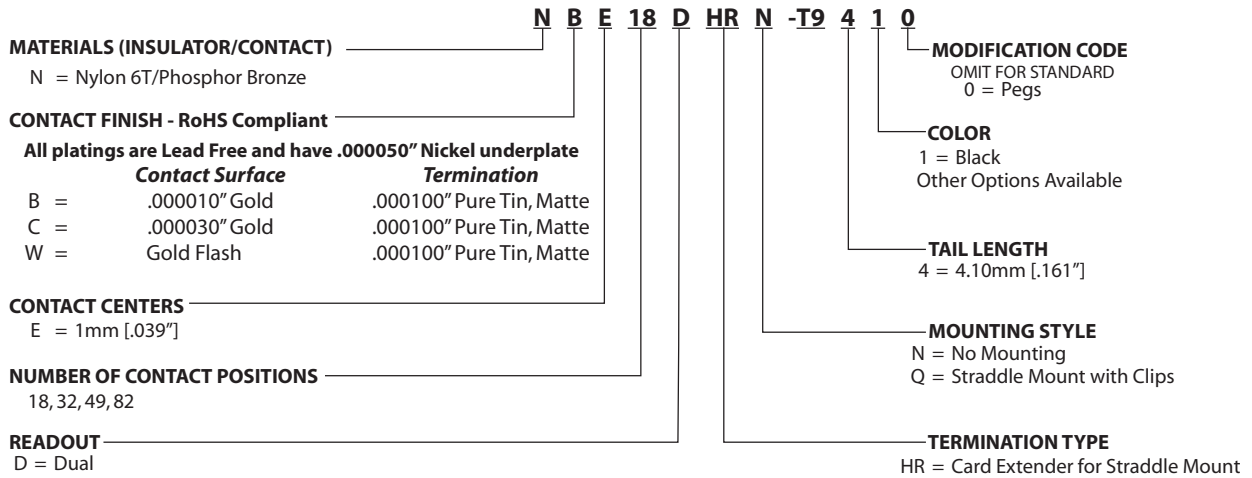
Example Part Number: NBE18DHRQ-T941

POSITIONS/ CONTACTS	MILLIMETERS				[INCHES]			
	A ± 0.15	B ± 0.15	C ± 0.15	D ± 0.15	A ± 0.006"	B ± 0.006"	C ± 0.006"	D ± 0.006"
18/36	6.00	7.65	25.00	12.30	0.236	0.301	0.984	0.484
32/64	20.00	21.65	39.00	26.30	0.787	0.852	1.535	1.035
49/98	37.00	38.65	56.00	43.30	1.457	1.522	2.205	1.705
82/164	70.00	71.65	89.00	76.30	2.756	2.821	3.504	3.004



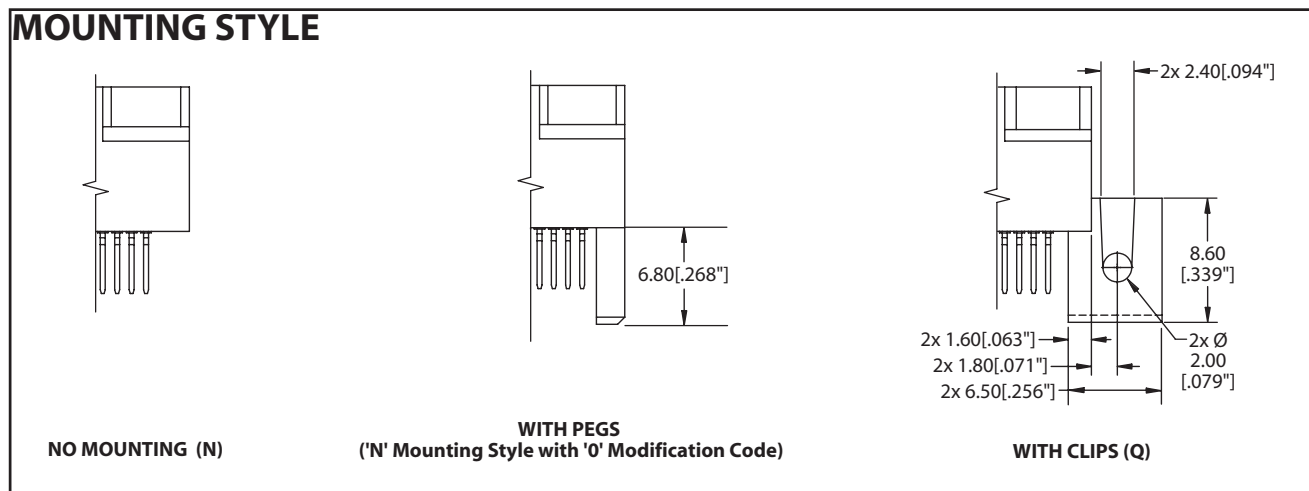
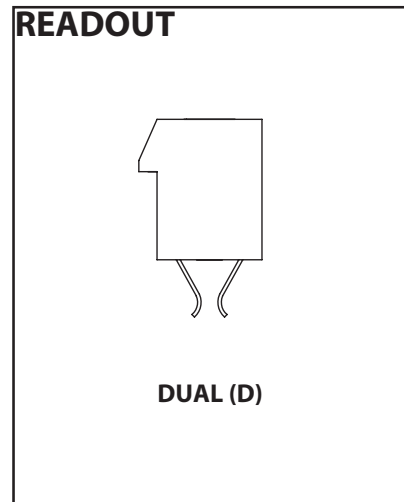
1.00 mm [.039"] Contact Centers, PCI Express, Card Extender for Surface Mount

PART NUMBER CODING



SPECIFICATIONS

- All PCI Express parts meet the latest PCI Express specifications
- Supports 2.5 Gb/s Data Transfer Rate (per pair data bandwidth)
- Accommodates 1.57mm ± 0.20mm [.062" ± .008"] PC board
- Nylon 6T insulator
- 1.1 amp current rating per contact

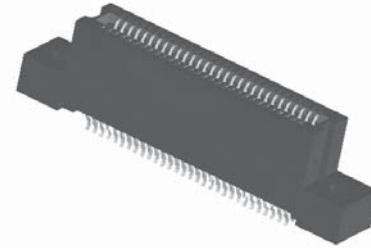




**.050" [1.27mm] Contact Centers, .610" Insulator Height
Dip Solder/Card Extender/SMT**

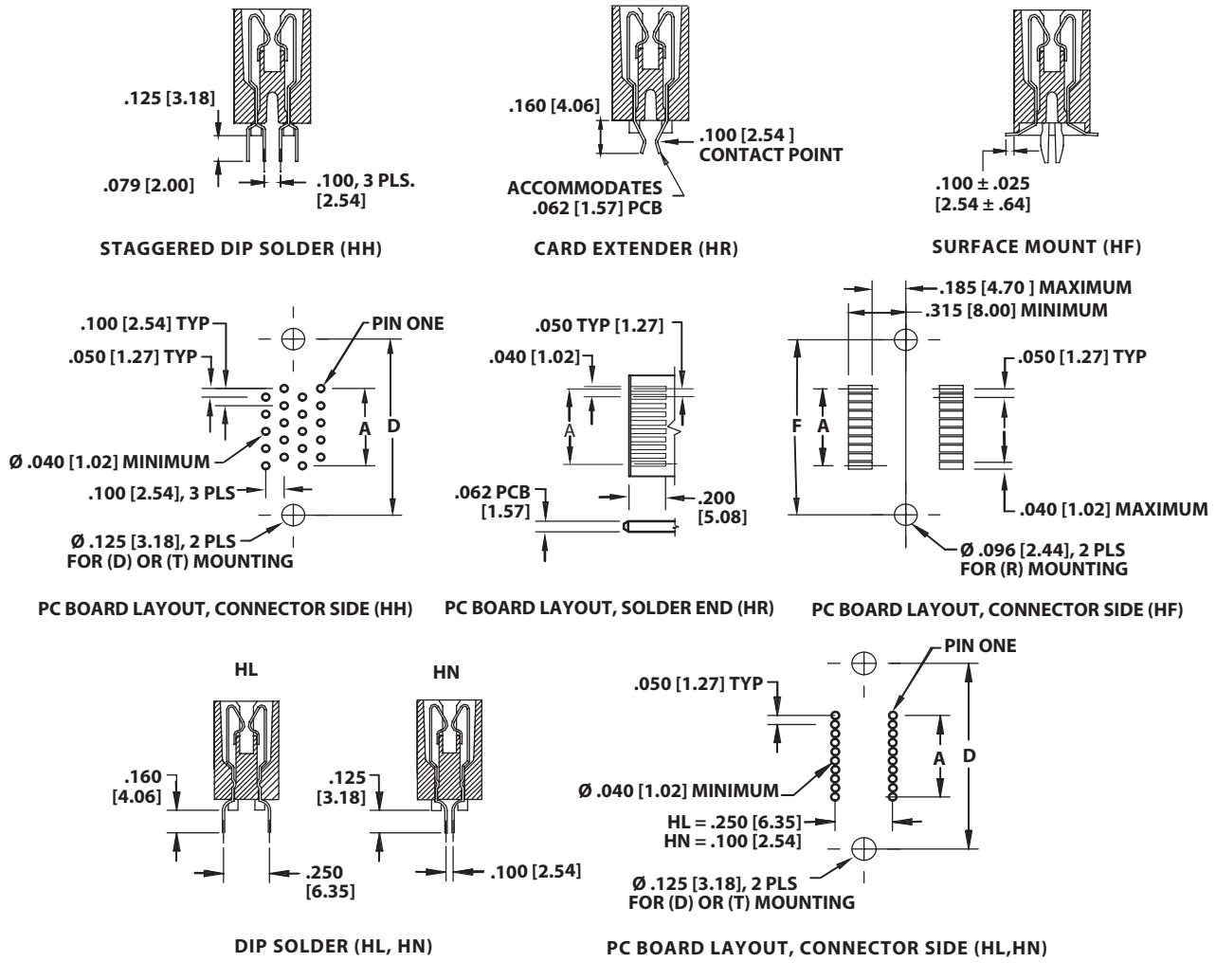
SPECIFICATIONS

- Accommodates .062" ± .008" [1.57 ± .20] PC board
- PPS or PA9T insulator
- Molded-in key available
- High reliability/high cycle hairpin bellows contact
- 1 amp current rating per contact
- 150 grams normal force minimum

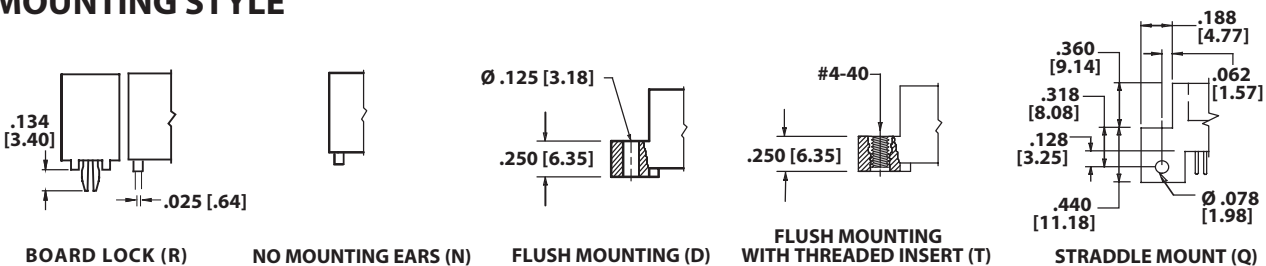


Sullins Edgecards

TERMINATION TYPE



MOUNTING STYLE





**.050" [1.27mm] Contact Centers, .610" Insulator Height
Dip Solder/Card Extender/SMT**

Sullins Edgecards

PART NUMBER CODING

G B B 40 D HH D - Sxxx

MATERIALS (INSULATOR/CONTACT)
 G = PA9T/Phosphor Bronze
 R = PPS/Phosphor Bronze
 J = PA9T/Beryllium Copper
 A = PPS/Beryllium Copper
 (Consult Factory for Other Materials)

CONTACT FINISH - RoHS Compliant
All platings are Lead Free and have .000050" Nickel underplate
Contact Surface Termination
 B = .000010" Gold .000100" Pure Tin, Matte
 C = .000030" Gold .000100" Pure Tin, Matte

CONTACT CENTERS
 B = .050 [1.27mm]

NUMBER OF CONTACT POSITIONS
 See Chart Below

MODIFICATION CODE (Consult Factory)
 OMIT FOR STANDARD

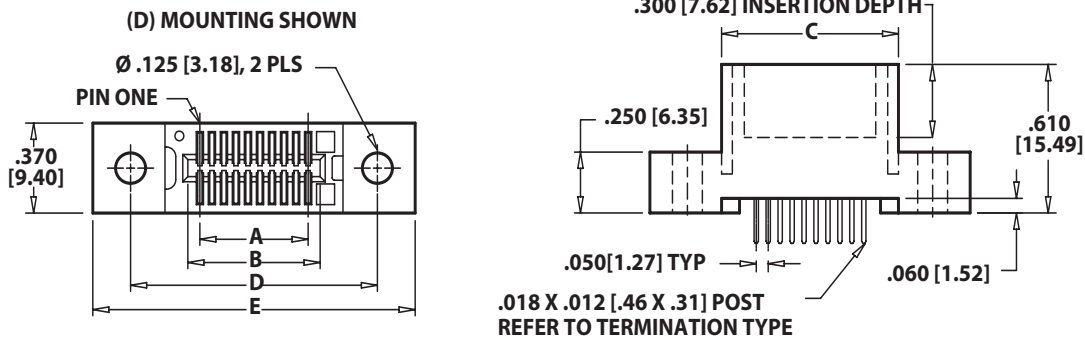
MOUNTING STYLE (Opposite Page)
 D = Flush Mounting
 N = No Mounting
 T = Flush Mounting With Threaded Insert
 Q = Straddle Mount (Card Extender Only)
 R = Metal Boardlocks

TERMINATION TYPE (Opposite Page)
 HH = Staggered Dip Solder
 HR = Card Extender
 HF = Surface Mount
 HL = .250 x .160 [6.35mm x 4.06] Dip Solder
 HN = .100 x .125 [2.54mm x 3.18] Dip Solder
 (Replaces Terminations CH, CR, CF, CL, CN)

READOUT (Opposite Page)
 D = Dual

DIMENSIONS

Dimensions in [] are in millimeters, all others are in inches.



POSITIONS/ CONTACTS	INCHES						[MILLIMETERS]					
	A ±.005	B ±.005	C ±.015	D ±.010	E ±.020	F ±.010	A ±.13	B ±.13	C ±.38	D ±.25	E ±.51	F ±.25
05/10	0.200	0.300	0.490	0.776	1.090	0.350	5.08	7.62	12.45	19.71	27.69	8.89
06/12	0.250	0.350	0.540	0.826	1.140	0.400	6.35	8.89	13.72	20.98	28.96	10.16
09/18	0.400	0.500	0.690	0.976	1.290	0.550	10.16	12.70	17.53	24.79	32.77	13.97
10/20	0.450	0.550	0.740	1.026	1.340	0.600	11.43	13.97	18.80	26.06	34.04	15.24
13/26	0.600	0.700	0.890	1.176	1.490	0.750	15.24	17.78	22.61	29.87	37.85	19.05
14/28	0.650	0.750	0.940	1.226	1.540	0.800	16.51	19.05	23.88	31.14	39.12	20.32
15/30	0.700	0.800	0.990	1.276	1.590	0.850	17.78	20.32	25.15	32.41	40.39	21.59
20/40	0.950	1.050	1.240	1.526	1.840	1.100	24.13	26.67	31.50	38.76	46.74	27.94
22/44	1.050	1.150	1.340	1.626	1.940	1.200	26.67	29.21	34.04	41.30	49.28	30.48
24/48	1.150	1.250	1.440	1.726	2.040	1.300	29.21	31.75	36.58	43.84	51.82	33.02
25/50	1.200	1.300	1.490	1.776	2.090	1.350	30.48	33.02	37.85	45.11	53.09	34.29
30/60	1.450	1.550	1.740	2.026	2.340	1.600	36.83	39.37	44.20	51.46	59.44	40.64
34/68	1.650	1.750	1.940	2.226	2.540	1.800	41.91	44.45	49.28	56.54	64.52	45.72
35/70	1.700	1.800	1.990	2.276	2.590	1.850	43.18	45.72	50.55	57.81	65.79	46.99
40/80	1.950	2.050	2.240	2.526	2.840	2.100	49.53	52.07	56.90	64.16	72.14	53.34
45/90	2.200	2.300	2.490	2.776	3.090	2.350	55.88	58.42	63.25	70.51	78.49	59.69
50/100	2.450	2.550	2.740	3.026	3.340	2.600	62.23	64.77	69.60	76.86	84.84	66.04
55/110	2.700	2.800	2.990	3.276	3.590	2.850	68.58	71.12	75.95	83.21	91.19	72.39
60/120	2.950	3.050	3.240	3.526	3.840	3.100	74.93	77.47	82.30	89.56	97.54	78.74
64/128	3.150	3.250	3.440	3.726	4.040	3.300	80.01	82.55	87.38	94.64	102.62	83.82
65/130	3.200	3.300	3.490	3.776	4.090	3.350	81.28	83.82	88.65	95.91	103.89	85.09
66/132	3.250	3.350	3.540	3.826	4.140	3.400	82.55	85.09	89.92	97.18	105.16	86.36
70/140	3.450	3.550	3.740	4.026	4.340	3.600	87.63	90.17	95.00	102.26	110.24	91.44
75/150	3.700	3.800	3.990	4.276	4.590	3.850	93.98	96.52	101.35	108.61	116.59	97.79
80/160	3.950	4.050	4.240	4.526	4.840	4.100	100.33	102.87	107.70	114.96	122.94	104.14
85/170	4.200	4.300	4.490	4.776	5.090	4.350	106.68	109.22	114.05	121.31	129.29	110.49
90/180	4.450	4.550	4.740	5.026	5.340	4.600	113.03	115.57	120.40	127.66	135.64	116.84
95/190	4.700	4.800	4.990	5.276	5.590	4.850	119.38	121.92	126.75	134.01	141.99	123.19
100/200	4.950	5.050	5.240	5.526	5.840	5.100	125.73	128.27	133.10	140.36	148.34	129.54
105/210	5.200	5.300	5.490	5.776	6.090	5.350	132.08	134.62	139.45	146.71	154.69	135.89
108/216	5.350	5.450	5.640	5.926	6.240	5.500	135.89	138.43	143.26	150.52	158.50	139.70
110/220	5.450	5.550	5.740	6.026	6.340	5.600	138.43	140.97	145.80	153.06	161.04	142.24
120/240	5.950	6.050	6.240	'N' Mounting Only		6.100	151.13	153.67	158.50	'N' Mounting Only		154.94



.050" [1.27mm] Contact Centers, .915" Insulator Height Right Angle

PART NUMBER CODING

MATERIALS (INSULATOR/CONTACT)

- G = PA9T/Phosphor Bronze
- R = PPS/Phosphor Bronze
- J = PA9T/Beryllium Copper
- A = PPS/Beryllium Copper
- (Consult Factory for Other Materials)

CONTACT FINISH - RoHS Compliant

All platings are Lead Free and have .000050" Nickel underplate

- B = .000010" Gold .000100" Pure Tin, Matte
- C = .000030" Gold .000100" Pure Tin, Matte

CONTACT CENTERS

- B = .050" [1.27mm]

G B B 10 D HA S - Sxxx

MODIFICATION CODE (Consult Factory)
OMIT FOR STANDARD

MOUNTING STYLE (Opposite Page)

- S = Side Mounting
- D = Flush Mounting
- N = No Mounting
- T = Flush Mounting With Threaded Insert
- R = Metal Board Lock

TERMINATION TYPE (Opposite Page)

- HA = .100" Staggered Dip Solder, Right Angle
- HB = .170" Staggered Dip Solder, Right Angle

READOUT (Opposite Page)

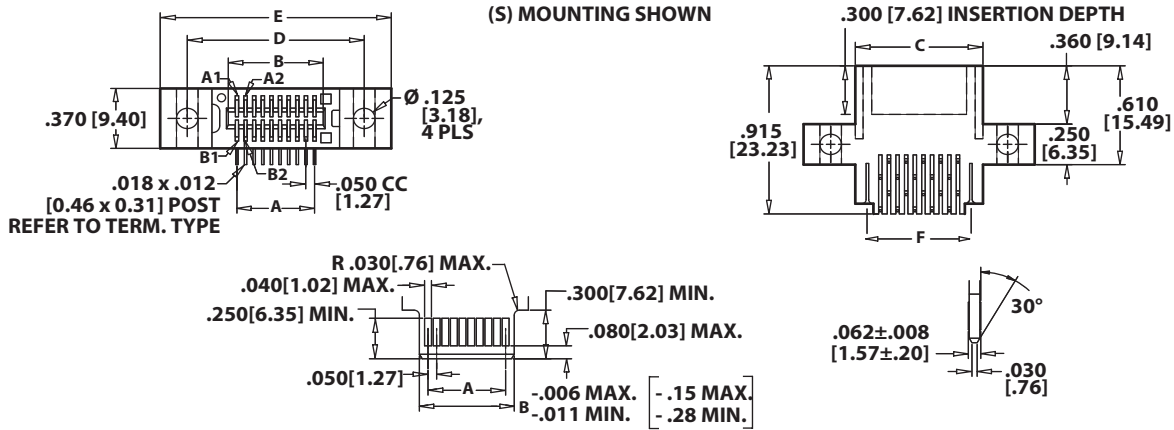
- D = Dual

NUMBER OF CONTACT POSITIONS

See Chart Below

DIMENSIONS

Dimensions in [] are in millimeters, all others are in inches.



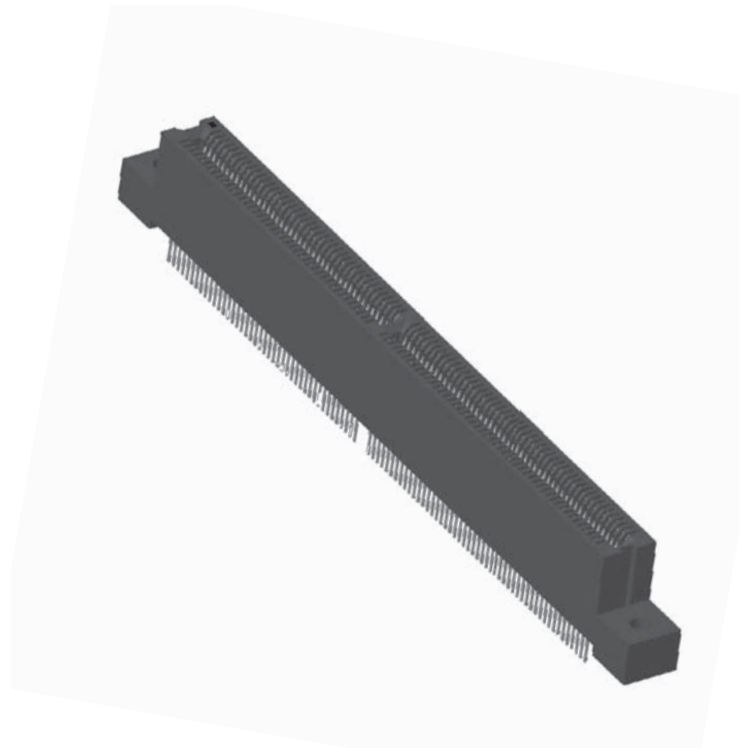
CARD LAYOUT

POSITIONS/ CONTACTS	INCHES						[MILLIMETERS]					
	A ±.005	B ±.005	C ±.015	D ±.010	E ±.020	F ±.010	A ±.13	B ±.13	C ±.38	D ±.25	E ±.51	F ±.25
05/10	0.200	0.300	0.490	0.776	1.090	0.350	5.08	7.62	12.45	19.71	27.69	8.89
06/12	0.250	0.350	0.540	0.826	1.140	0.400	6.35	8.89	13.72	20.98	28.96	10.16
09/18	0.400	0.500	0.690	0.976	1.290	0.550	10.16	12.70	17.53	24.79	32.77	13.97
10/20	0.450	0.550	0.740	1.026	1.340	0.600	11.43	13.97	18.80	26.06	34.04	15.24
13/26	0.600	0.700	0.890	1.176	1.490	0.750	15.24	17.78	22.61	29.87	37.85	19.05
14/28	0.650	0.750	0.940	1.226	1.540	0.800	16.51	19.05	23.88	31.14	39.12	20.32
15/30	0.700	0.800	0.990	1.276	1.590	0.850	17.78	20.32	25.15	32.41	40.39	21.59
20/40	0.950	1.050	1.240	1.526	1.840	1.100	24.13	26.67	31.50	38.76	46.74	27.94
22/44	1.050	1.150	1.340	1.626	1.940	1.200	26.67	29.21	34.04	41.30	49.28	30.48
24/48	1.150	1.250	1.440	1.726	2.040	1.300	29.21	31.75	36.58	43.84	51.82	33.02
25/50	1.200	1.300	1.490	1.776	2.090	1.350	30.48	33.02	37.85	45.11	53.09	34.29
30/60	1.450	1.550	1.740	2.026	2.340	1.600	36.83	39.37	44.20	51.46	59.44	40.64
34/68	1.650	1.750	1.940	2.226	2.540	1.800	41.91	44.45	49.28	56.54	64.52	45.72
35/70	1.700	1.800	1.990	2.276	2.590	1.850	43.18	45.72	50.55	57.81	65.79	46.99
40/80	1.950	2.050	2.240	2.526	2.840	2.100	49.53	52.07	56.90	64.16	72.14	53.34
45/90	2.200	2.300	2.490	2.776	3.090	2.350	55.88	58.42	63.25	70.51	78.49	59.69
50/100	2.450	2.550	2.740	3.026	3.340	2.600	62.23	64.77	69.60	76.86	84.84	66.04
55/110	2.700	2.800	2.990	3.276	3.590	2.850	68.58	71.12	75.95	83.21	91.19	72.39
60/120	2.950	3.050	3.240	3.526	3.840	3.100	74.93	77.47	82.30	89.56	97.54	78.74
64/128	3.150	3.250	3.440	3.726	4.040	3.300	80.01	82.55	87.38	94.64	102.62	83.82
65/130	3.200	3.300	3.490	3.776	4.090	3.350	81.28	83.82	88.65	95.91	103.89	85.09
66/132	3.250	3.350	3.540	3.826	4.140	3.400	82.55	85.09	89.92	97.18	105.16	86.36
70/140	3.450	3.550	3.740	4.026	4.340	3.600	87.63	90.17	95.00	102.26	110.24	91.44
75/150	3.700	3.800	3.990	4.276	4.590	3.850	93.98	96.52	101.35	108.61	116.59	97.79
80/160	3.950	4.050	4.240	4.526	4.840	4.100	100.33	102.87	107.70	114.96	122.94	104.14
85/170	4.200	4.300	4.490	4.776	5.090	4.350	106.68	109.22	114.05	121.31	129.29	110.49
90/180	4.450	4.550	4.740	5.026	5.340	4.600	113.03	115.57	120.40	127.66	135.64	116.84
95/190	4.700	4.800	4.990	5.276	5.590	4.850	119.38	121.92	126.75	134.01	141.99	123.19
100/200	4.950	5.050	5.240	5.526	5.840	5.100	125.73	128.27	133.10	140.36	148.34	129.54
105/210	5.200	5.300	5.490	5.776	6.090	5.350	132.08	134.62	139.45	146.71	154.69	135.89
108/216	5.350	5.450	5.640	5.926	6.240	5.500	135.89	138.43	143.26	150.52	158.50	139.70
110/220	5.450	5.550	5.740	6.026	6.340	5.600	138.43	140.97	145.80	153.06	161.04	142.24
120/240	5.950	6.050	6.240	'N' Mounting Only	6.100	6.100	151.13	153.67	158.50	'N' Mounting Only	154.94	154.94



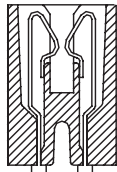
SPECIFICATIONS

- Accommodates .062" ± .008" [1.57 ± .20] PC board (Consult factory for other board thicknesses)
- PPS or PA9T insulator
- Molded-in key available
- High reliability/high cycle hairpin bellows contact
- 1 amp current rating per contact
- 150 grams normal force minimum



Sullins Edgecards

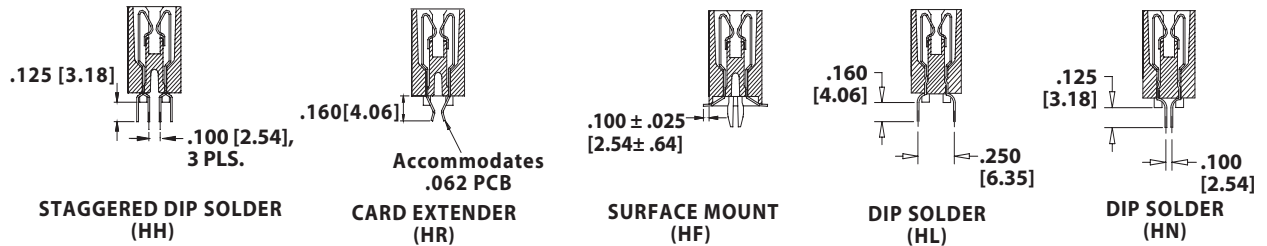
READOUT



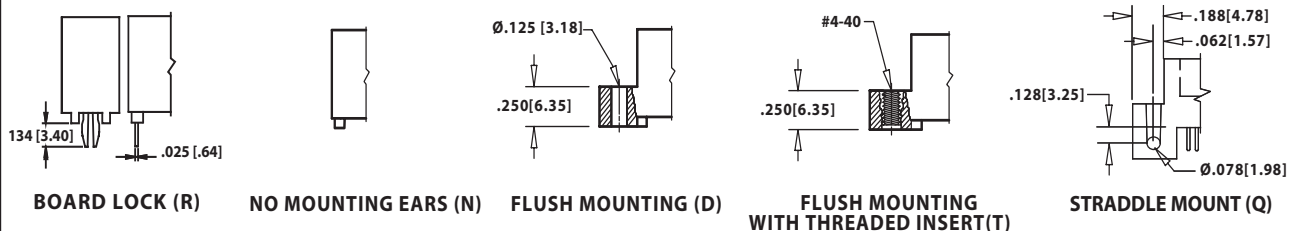
DUAL (D)

TERMINATION TYPE

Consult Factory for PC Board Layouts



MOUNTING STYLE





**.050" [1.27mm] Contact Centers, .610" Insulator Height
[MCA] Dip Solder/Card Extender/SMT**

Industry Standard Part

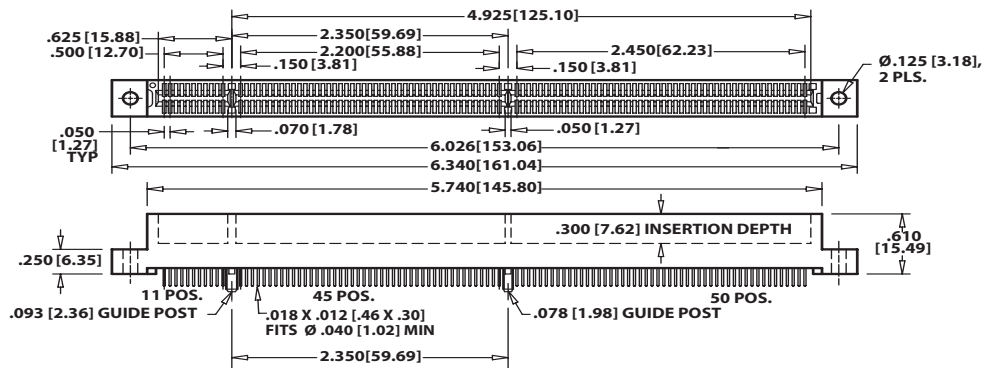
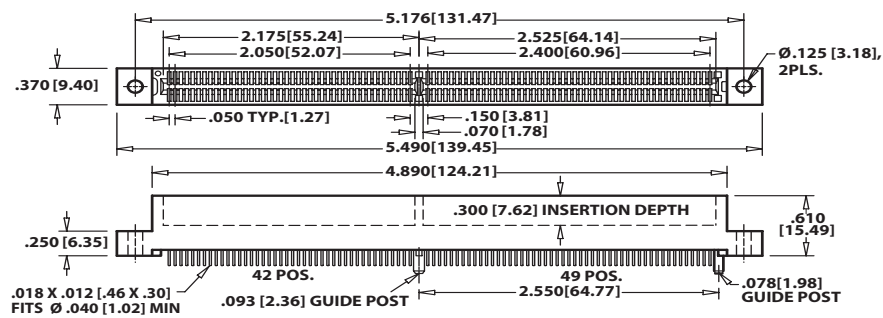
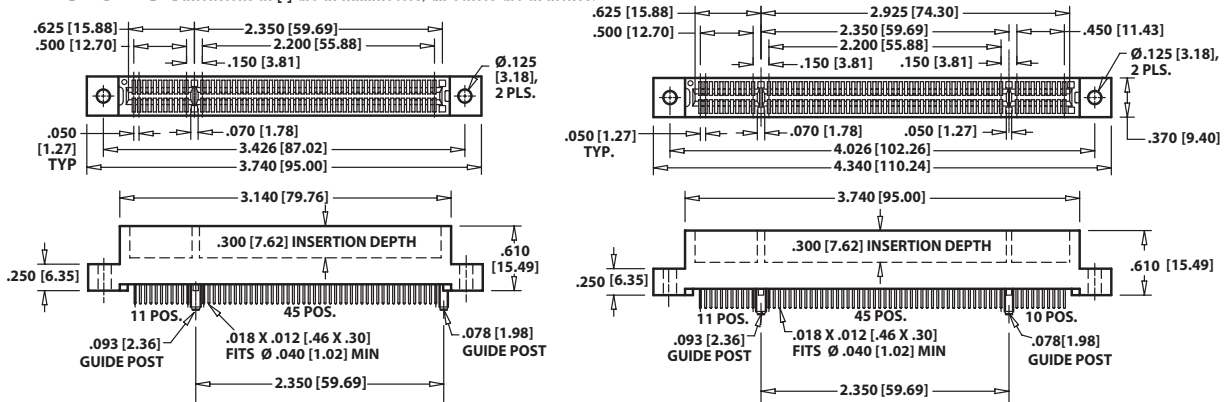
Sullins Edgecards

PART NUMBER CODING

<p>MATERIALS (Insulator/Contact)</p> <p>G = PA9T/Phosphor Bronze R = PPS/Phosphor Bronze J = PA9T/Beryllium Copper A = PPS/Beryllium Copper (Consult Factory for Other Materials)</p> <p>CONTACT FINISH - RoHS Compliant</p> <p>All platings are Lead Free and have .000050" Nickel underplate</p> <p>Contact Surface Termination</p> <p>B = .000010" Gold .000100" Pure Tin, Matte C = .000030" Gold .000100" Pure Tin, Matte</p> <p>CONTACT CENTERS</p> <p>B = .050" [1.27mm]</p> <p>NUMBER OF CONTACT POSITIONS</p> <p>56, 66, 91, 106</p>	<p>G B B 56 D HH D - S578</p> <p>MODIFICATION (Consult Factory)</p> <p>-S578 = Card Slot Barriers With Guide Posts -S621 = Card Slot Barriers Without Guide Posts</p> <p>MOUNTING STYLE</p> <p>N = No Mounting D = Flush Mounting T = Flush Mounting With Threaded Insert Q = Straddle Mount (Card Extender Only) R = Metal Board Lock</p> <p>TERMINATION TYPE</p> <p>HH = Staggered Dip Solder HR = Card Extender HF = Surface Mount HL = .250" [6.35mm] x .160" [4.06mm] Dip Solder HN = .100" [2.54mm] x .125" [3.18mm] Dip Solder (REPLACES TERMINATIONS: CH, CR, CF, CL, CN)</p> <p>READOUT</p> <p>D = Dual</p>
--	---

DIMENSIONS

Dimensions in [] are in millimeters, all others are in inches.





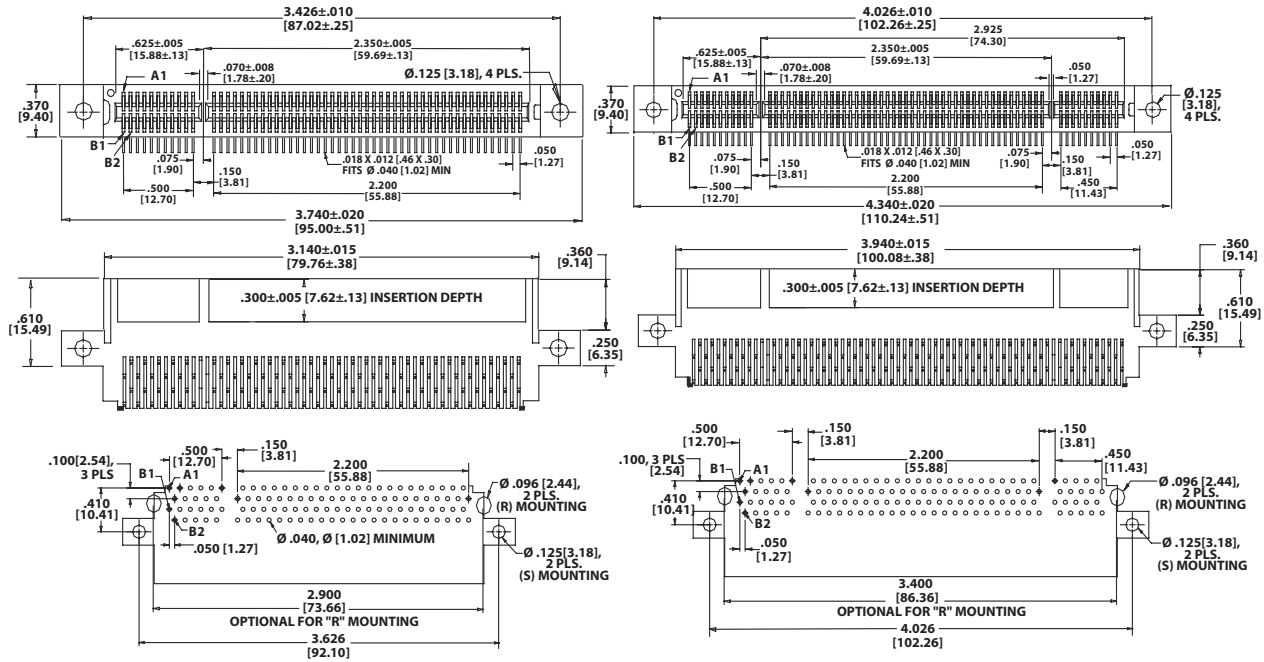
.050" [1.27mm] Contact Centers, .915" Insulator Height [MCA] Right Angle

Industry Standard Part

Sullins Edgards

DIMENSIONS

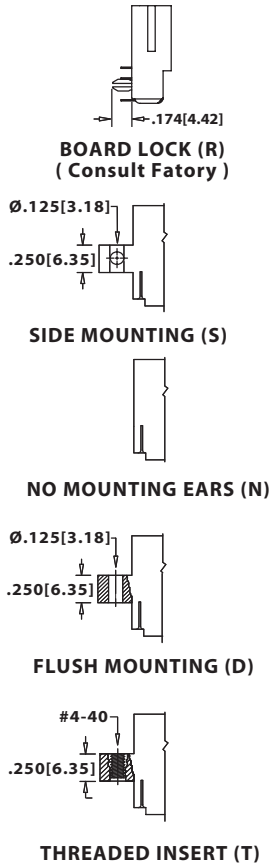
Dimensions in [] are in millimeters, all others are in inches.



GBB56DHAS-S621, 56(11/45) POSITIONS

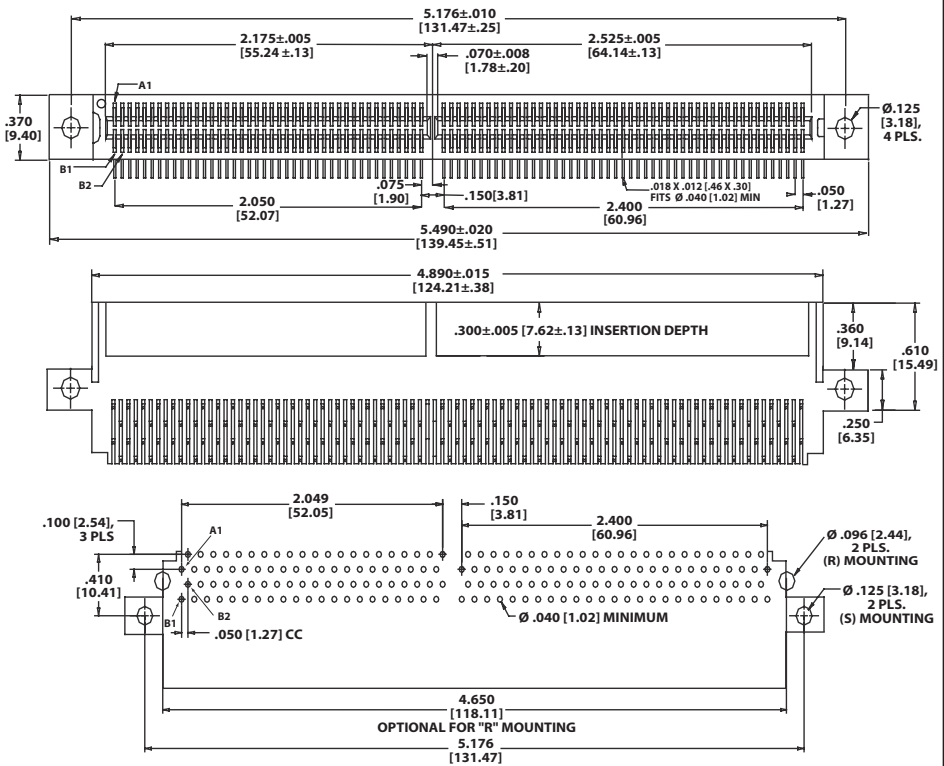
GBB66DHAS-S621, 66(11/45/10) POSITIONS

MOUNTING STYLE



DIMENSIONS

Dimensions in [] are in millimeters, all others are in inches.



GBB91DHAS-S621, 91 (42/49) POSITIONS



.050" [1.27mm] Contact Centers, .915" Insulator Height [MCA] Right Angle

Industry Standard Part

Sullins Edgecards

PART NUMBER CODING

MATERIALS (Insulator/Contact)

G = PA9T/Phosphor Bronze
 R = PPS/Phosphor Bronze
 J = PA9T/Beryllium Copper
 A = PPS/Beryllium Copper
 (Consult Factory for Other Materials)

CONTACT FINISH - RoHS Compliant
All platings are Lead Free and have .000050" Nickel underplate

Contact Surface Termination

B = .00010" Gold .000100" Pure Tin, Matte
 C = .000030" Gold .000100" Pure Tin, Matte

CONTACT CENTERS

B = .050" [1.27mm]

MODIFICATION (CONSULT FACTORY)
 -S621 = Card Slot Barriers Without Guide Posts

MOUNTING STYLE (Opposite Page)

S = Side Mounting
 D = Flush Mounting
 N = No Mounting
 T = Flush Mounting With Threaded Insert
 R = Metal Board Lock

TERMINATION TYPE

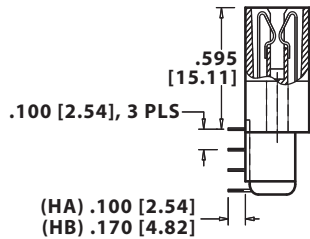
HA = .100" [2.54] Staggered Dip Solder, Right Angle
 HB = .170" [4.32] Staggered Dip Solder, Right Angle

READOUT
 D = Dual

NUMBER OF CONTACT POSITIONS

56 = 11/45
 66 = 11/45/10
 91 = 42/49
 106 = 11/45/50

TERMINATION TYPE

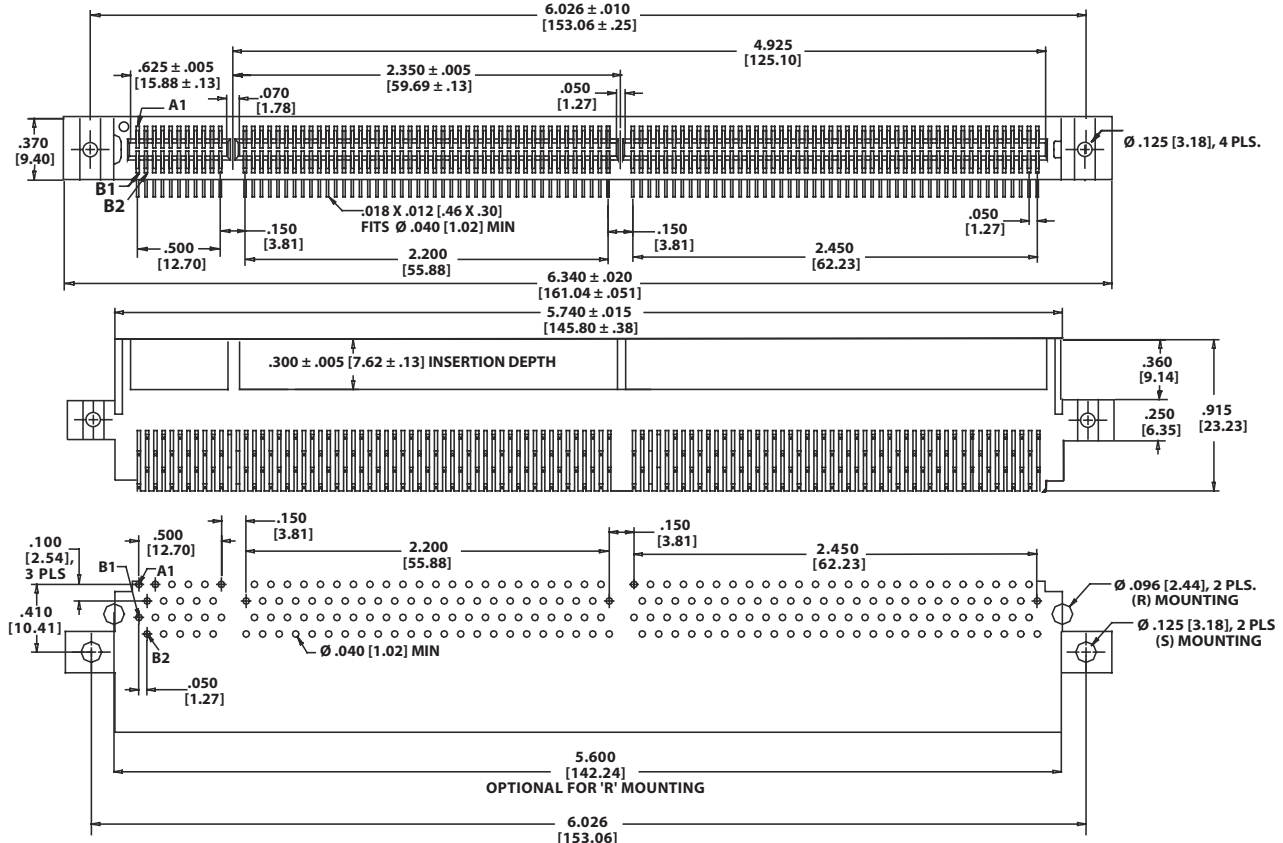


SPECIFICATIONS

- Accommodates .062" ± .008" [1.57 ± .20] PC board
- PPS or PA9T insulator
- Molded-in key available
- High reliability/high cycle hairpin bellows contact
- 1 amp current rating per contact
- 150 grams normal force minimum

DIMENSIONS

Dimensions in [] are in millimeters, all others are in inches.



**BOARD LAYOUT, CONNECTOR SIDE
 GBB106DHAS-S621, 64 BIT, 5 VOLT**



**.050" [1.27mm] Contact Centers, .610" Insulator Height
[PCI] Dip Solder/Card Extender/SMT**

Industry Standard Part

SPECIFICATIONS

- Accommodates .062" ± .008" [1.57 ± .20] PC board
- PPS or PA9T insulator
- Molded-in key available
- High reliability/high cycle hairpin bellows contact
- 1 amp current rating per contact
- 150 grams normal force minimum

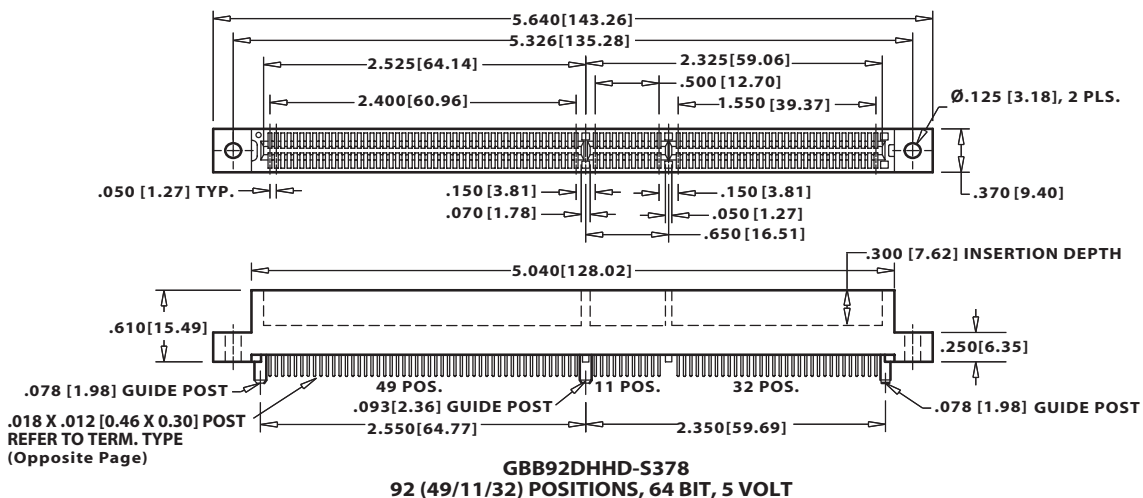
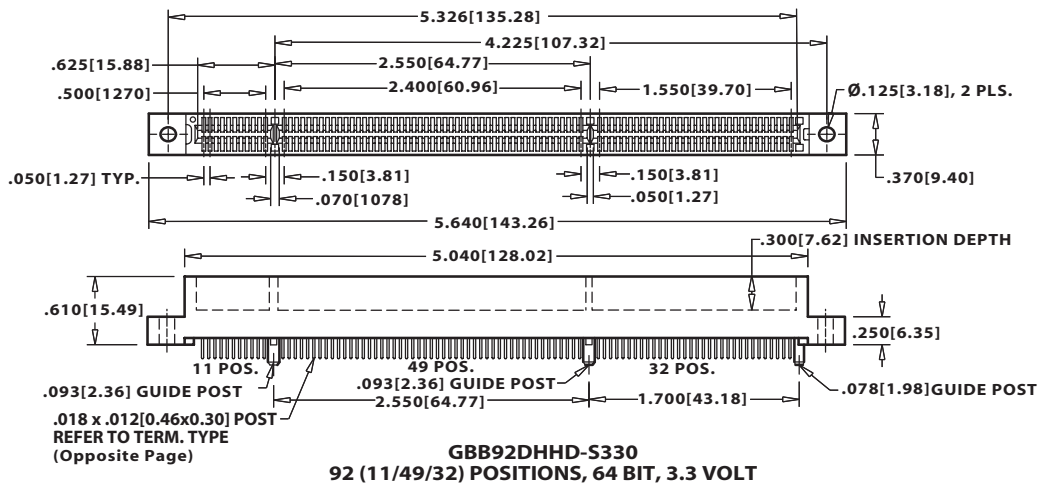
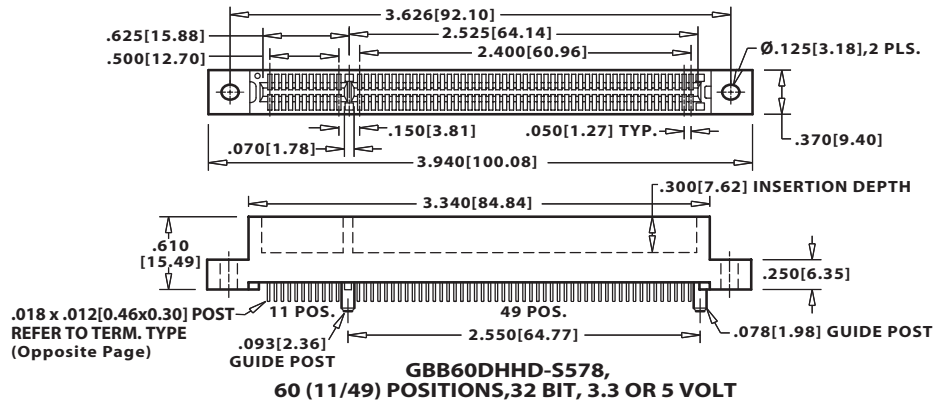
READOUT



DUAL (D)

DIMENSIONS

Dimensions in [] are in millimeters, all others are in inches.





**.050" [1.27mm] Contact Centers, .610" Insulator Height
[PCI] Dip Solder/Card Extender/SMT**

Industry Standard Part

Sullins Edgecards

PART NUMBER CODING

G B B 60 D HH D - S578

MATERIALS (Insulator/Contact)
 G = PA9T/Phosphor Bronze
 R = PPS/Phosphor Bronze
 J = PA9T/Beryllium Copper
 A = PPS/Beryllium Copper
 (Consult Factory for Other Materials)

CONTACT FINISH - RoHS Compliant
All platings are Lead Free and have .000050" Nickel underplate

Contact Surface	Termination
B = .000010" Gold	.000100" Pure Tin, Matte
C = .000030" Gold	.000100" Pure Tin, Matte

CONTACT CENTERS
 B = .050" [1.27mm]

NUMBER OF CONTACT POSITIONS
 60 = 11/49 (32 Bit, 3.3 or 5 Volt)
 92 = 11/49/32 (64 Bit, 3.3 Volt)
 or 92 = 49/11/32 (64 Bit, 5 Volt)

READOUT
 D = Dual

MODIFICATION (CONSULT FACTORY)

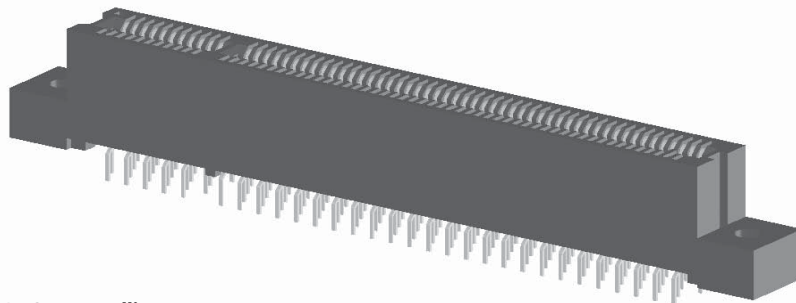
PCI WITH GUIDE POSTS
 *-S578 = 60 (11/49) Positions(32 Bit, 3.3 or 5 Volt)
 -S330 = 92 (11/49/32) Positions(64 Bit, 3.3 Volt)
 -S378 = 92 (49/11/32) Positions(64 Bit, 5 Volt)

PCI WITHOUT GUIDE POSTS
 *-S621 = 60 (11/49) Positions(32 Bit, 3.3 or 5 Volt)
 -S329 = 92 (11/49/32) Positions(64 Bit, 3.3 Volt)
 -S250 = 92 (49/11/32) Positions(64 Bit, 5 Volt)

*** Turn connector or board 180° to switch from 3.3 to 5 volt**

MOUNTING STYLE
 D = Flush Mounting
 N = No Mounting
 T = Flush Mounting With Threaded Insert
 Q = Straddle Mount (Card Extender Only)
 R = Metal Boardlocks

TERMINATION TYPE
 HH = Staggered Dip Solder
 HR = Card Extender
 HF = Surface Mount
 HL = .250" [6.35mm] x .160" [4.06mm] Dip Solder
 HN = .100" [2.54mm] x .125" [3.18mm] Dip Solder
 (REPLACES TERMINATIONS: CH, CR, CF, CL, CN)



FOR PC BOARD LAYOUTS REFER TO www.sullinscorp.com

TERMINATION TYPE

STAGGERED DIP SOLDER (HH): .125 [3.18] height, .100 [2.54] width, 3 PLS.

CARD EXTENDER (HR): .160 [4.06] height, Accommodates .062 [1.57] PCB

SURFACE MOUNT (HF): .100 ± .025 [2.54 ± .64] height

DIP SOLDER (HL): .160 [4.06] height, .250 [6.35] width

DIP SOLDER (HN): .125 [3.18] height, .100 [2.54] width

MOUNTING STYLE

NO MOUNTING EARS (N)

FLUSH MOUNTING (D): .250 [6.35] height, Ø.125 [3.18] width

METAL BOARD LOCK (R): .134 [3.40] height, .025 [0.64] width

FLUSH MOUNTING WITH THREADED INSERT (T): #4-40 thread, .250 [6.35] height

STRADDLE MOUNT (Q) Formerly (Z): .360 [9.14] height, .188 [4.78] width, .318 [8.08] height, .128 [3.25] height, .440 [11.18] height, .062 [1.57] width, .078 [1.98] width

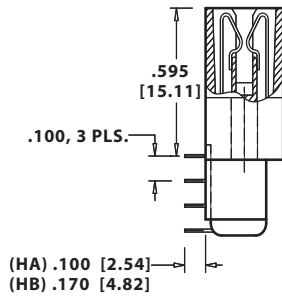


SPECIFICATIONS

- Accommodates .062" ± .008" [1.57 ± .20] PC board
- PPS or PA9T insulator
- Molded-in key available
- High reliability/high cycle hairpin bellows contact
- 1 amp current rating per contact
- 150 grams normal force minimum

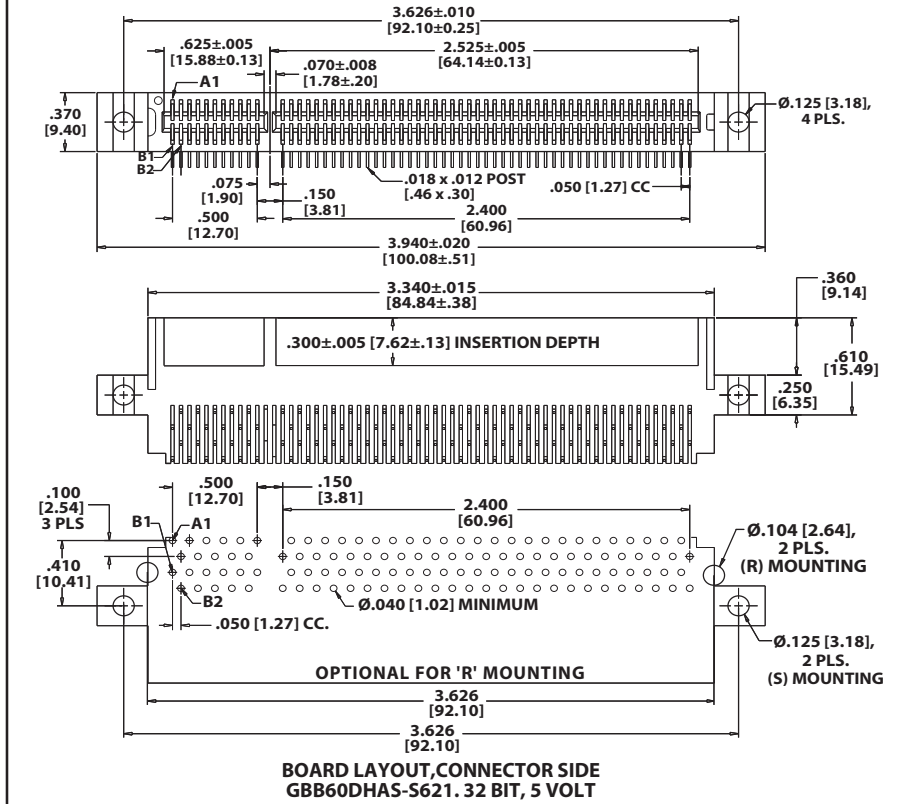
Sullins Edgcards

TERMINATION TYPE



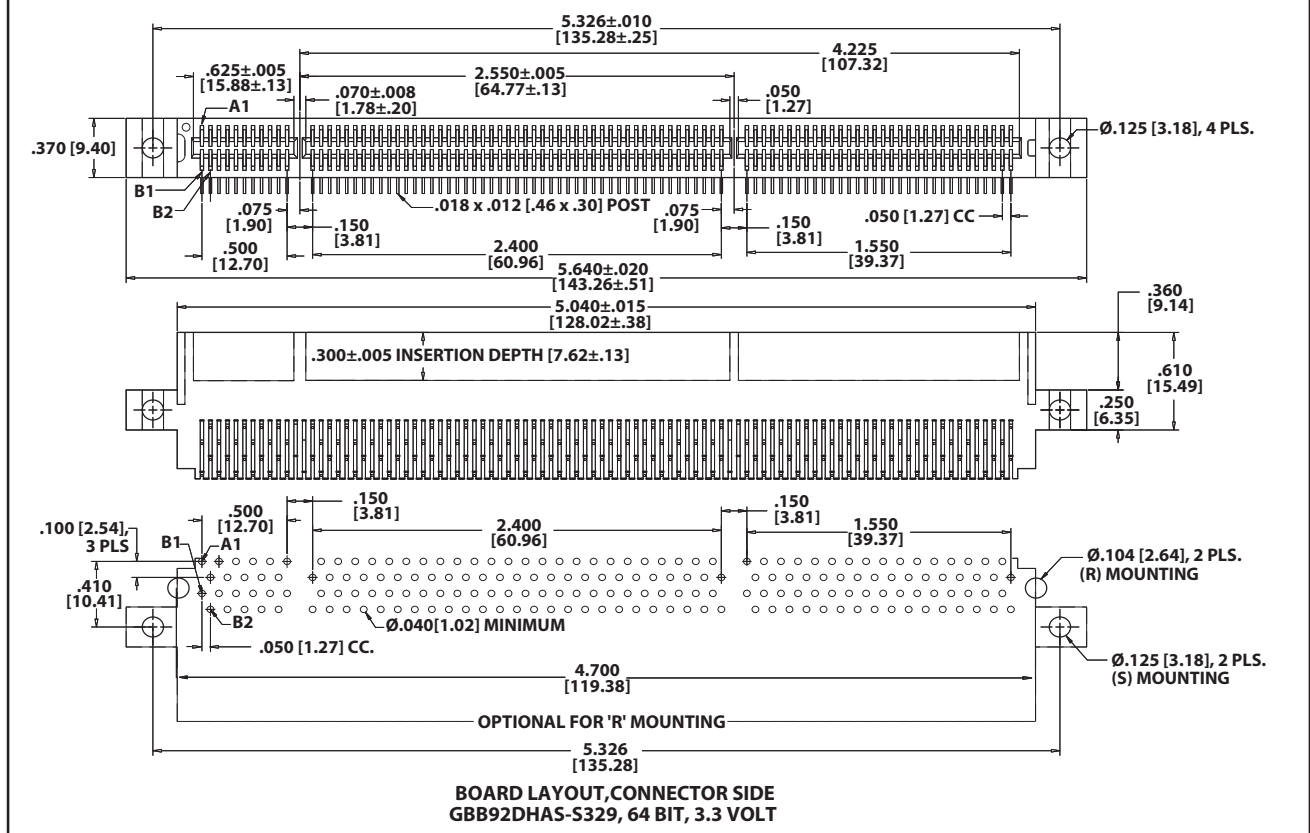
DIMENSIONS

Dimensions in [] are in millimeters, all others are in inches.



DIMENSIONS

Dimensions in [] are in millimeters, all others are in inches.





**.050" [1.27mm] Contact Centers, .915" Insulator Height
[PCI] Right Angle**

Industry Standard Part

Sullins Edgecards

PART NUMBER CODING

G B B 60 D HA D - S793

MATERIALS (Insulator/Contact)
 G = PA9T/Phosphor Bronze
 R = PPS/Phosphor Bronze
 J = PA9T/Beryllium Copper
 A = PPS/Beryllium Copper
 (Consult Factory for Other Materials)

CONTACT FINISH - RoHS Compliant
All platings are Lead Free and have .000050" Nickel underplate

Contact Surface	Termination
B = .000010" Gold	.000100" Pure Tin, Matte
C = .000030" Gold	.000100" Pure Tin, Matte

CONTACT CENTERS
 B = .050" [1.27mm]

NUMBER OF CONTACT POSITIONS
 60 = 11/49 (32 Bit, 3.3 or 5 Volt)
 92 = 11/49/32 (64 Bit, 3.3 Volt)
 or 92 = 49/11/32 (64 Bit, 5 Volt)

MODIFICATION (CONSULT FACTORY)
 -S793 = 60(49/11) Reverse Bend (32 Bit, 3.3 Volt)
 -S621 = 60(11/49) Positions (32 Bit, 5 Volt)
 -S329 = 92(11/49/32) Positions (64 Bit, 3.3 Volt)
 -S250 = 92(49/11/32) Positions (64 Bit, 5 Volt)

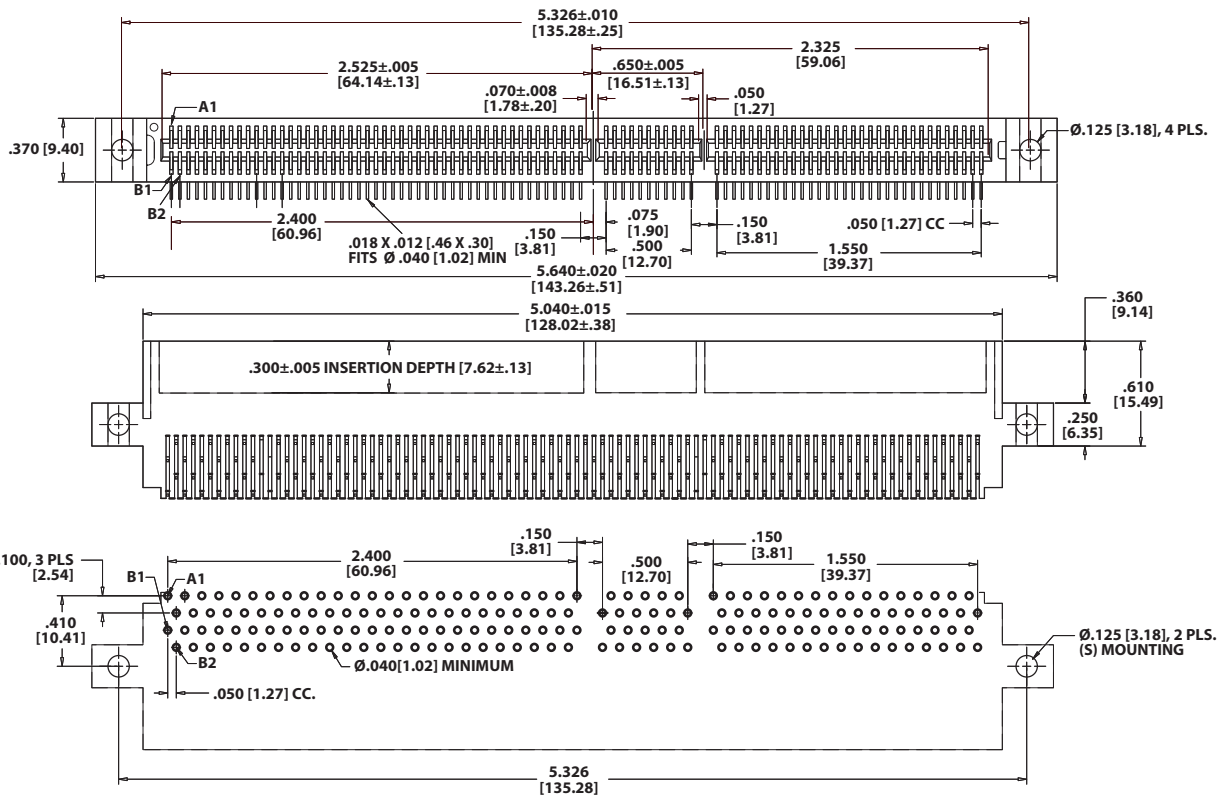
MOUNTING STYLE
 S = Side Mounting
 D = Flush Mounting
 N = No Mounting
 T = Flush Mounting With Threaded Insert
 R = Metal Board Lock

TERMINATION TYPE (Opposite Page)
 HA = .100" [2.54mm] Staggered Dip Solder
 HB = .170" [4.32mm] Staggered Dip Solder

READOUT
 D = Dual

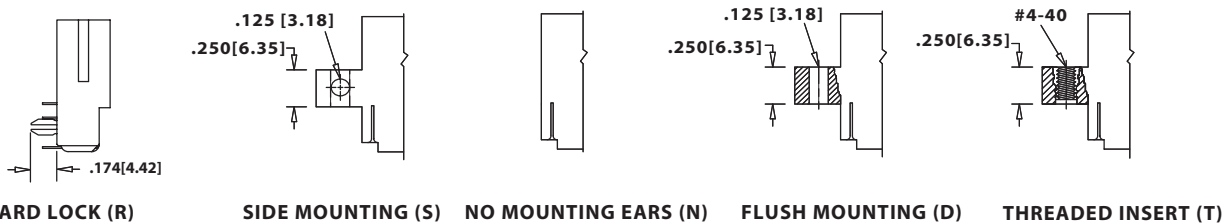
DIMENSIONS

Dimensions in [] are in millimeters, all others are in inches.



**BOARD LAYOUT, CONNECTOR SIDE
GBB92DHAS-S250, 64 BIT, 5 VOLT**

MOUNTING STYLE

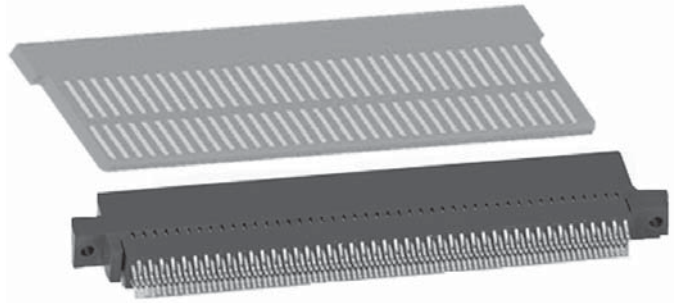




**Bi-Level, .050" [1.27mm] / .100" [2.54] Contact Centers
High Density, Card Extender, Dip Solder**

SPECIFICATIONS

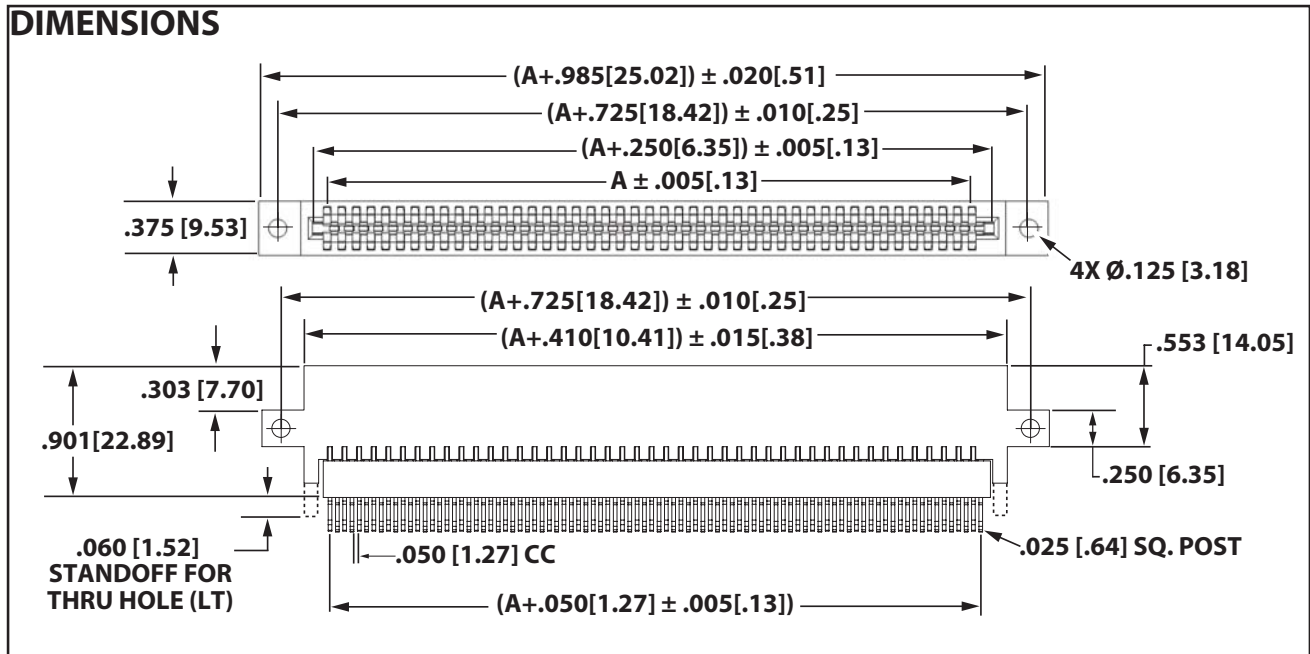
- .050" Contact Center Spacing can replace .100" CC parts to double the number of contacts within the same area
- Backwards Compatible with Daughter Card Side
- Accommodates .062" ± .008" [1.57 ± .20] PC board
- Contact Material: Beryllium Copper or Phosphor Bronze
- Body Material: PPS/PA9T
- UL Flammability: 94V-0
- 3 amp current rating per contact
- 75 grams minimum contact normal force
- Voltage Rating: 125 VDC Minimum at sea level
- Consult Factory for PC board layouts/technical drawings



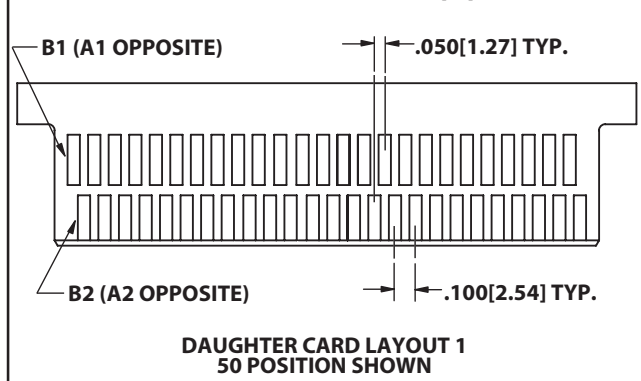
Sullins Edgecards

HIGH DENSITY HIGH TEMPERATURE HIGH CYCLE HIGH RELIABILITY

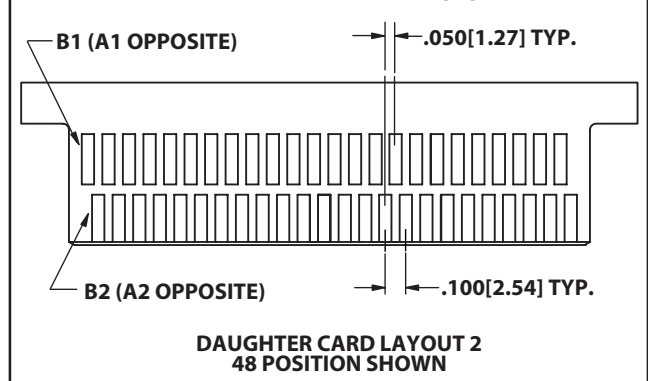
DIMENSIONS



DAUGHTER CARD LAYOUT (1)



DAUGHTER CARD LAYOUT (2)





**Bi-Level, .050" [1.27mm] / .100" [2.54] Contact Centers
High Density, Card Extender, Dip Solder**

Sullins Edgecards

PART NUMBER CODING

MATERIALS (INSULATOR/CONTACT)

- G = PA9T/Phosphor Bronze
Operating Temperature: 125°C
- R = PPS and PA9T/Phosphor Bronze
Operating Temperature: 125°C
- J = PA9T/Beryllium Copper
Operating Temperature: 150°C
- A = PPS and PA9T/Beryllium Copper
Operating Temperature: 150°C

CONTACT FINISH - RoHS Compliant

All platings are Lead Free and have .000050" Nickel underplate
Contact Surface Termination

- B = .000010" Gold .000100" Pure Tin, Matte
- C = .000030" Gold .000100" Pure Tin, Matte
- Y = .000030" Gold .000005" Gold

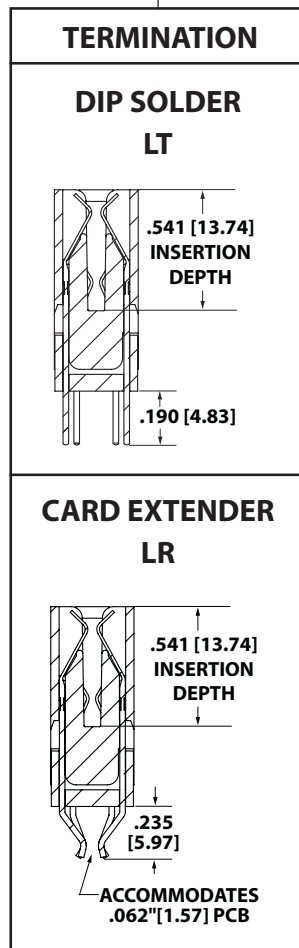
CONTACT CENTERS

- B = .050" [1.27mm]

A C B 10 D LT H -Sxxx

MODIFICATION CODE (Consult Factory)
OMIT FOR STANDARD

Positions	Dimension A (see opposite page)			Daughter Card Layout
	No. of Contacts	Inches	[MM]	
06	12	0.200	5.08	1
08	16	0.300	7.62	2
10	20	0.400	10.16	1
12	24	0.500	12.70	2
14	28	0.600	15.24	1
16	32	0.700	17.78	2
18	36	0.800	20.32	1
20	40	0.900	22.86	2
22	44	1.000	25.40	1
24	48	1.100	27.94	2
26	52	1.200	30.48	1
28	56	1.300	33.02	2
30	60	1.400	35.56	1
32	64	1.500	38.10	2
34	68	1.600	40.64	1
36	72	1.700	43.18	2
38	76	1.800	45.72	1
40	80	1.900	48.26	2
42	84	2.000	50.80	1
44	88	2.100	53.34	2
46	92	2.200	55.88	1
48	96	2.300	58.42	2
50	100	2.400	60.96	1
52	104	2.500	63.50	2
54	108	2.600	66.04	1
56	112	2.700	68.58	2
58	116	2.800	71.12	1
60	120	2.900	73.66	2
62	124	3.000	76.20	1
64	128	3.100	78.74	2
66	132	3.200	81.28	1
68	136	3.300	83.82	2
70	140	3.400	86.36	1
72	144	3.500	88.90	2
74	148	3.600	91.44	1
76	152	3.700	93.98	2
78	156	3.800	96.52	1
80	160	3.900	99.06	2
82	164	4.000	101.60	1
84	168	4.100	104.14	2
86	172	4.200	106.68	1
88	176	4.300	109.22	2
90	180	4.400	111.76	1



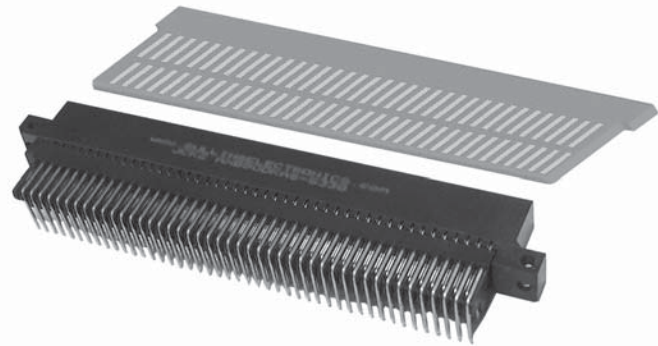
MOUNTING STYLE		
H	MOUNTING HOLES	Ø.125 [3.18]
S	SIDE MOUNTING HOLES	Ø.125 [3.18]
I	#4-40 THREADED INSERTS	#4 - 40
A	#4-40 THREADED INSERTS IN SIDE HOLES	#4 - 40
Z	FLUSH EARS WITH SIDE MOUNTING HOLES	Ø.125 [3.18]
D	FLUSH EARS WITH Ø.125 HOLES	Ø.125 [3.18]
T	FLUSH EARS WITH #4-40 THREADED INSERTS	#4 - 40
V	FLUSH EARS WITH #4-40 THREADED INSERTS IN SIDE HOLES	#4 - 40
N	NO MOUNTING EARS	



Bi-Level, .050" [1.27mm] / .100" [2.54] Contact Centers High Density, Right Angle

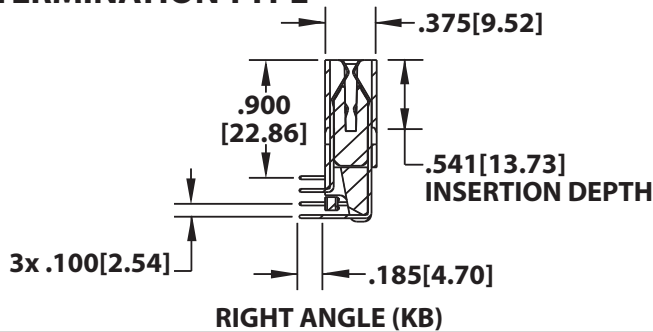
SPECIFICATIONS

- .050" Contact Center Spacing can replace .100" CC parts to double the number of contacts within the same area
- Backwards Compatible with Daughter Card Side
- Accommodates .062" ± .008" [1.57 ± .20] PC board
- Contact Material: Beryllium Copper or Phosphor Bronze
- Body Material: PPS/PA9T
- UL Flammability: 94V-0
- 3 amp current rating per contact
- 75 grams minimum contact normal force
- Voltage Rating: 125 VDC Minimum at sea level
- Consult Factory for PC board layouts/technical drawings



Sullins Edgecards

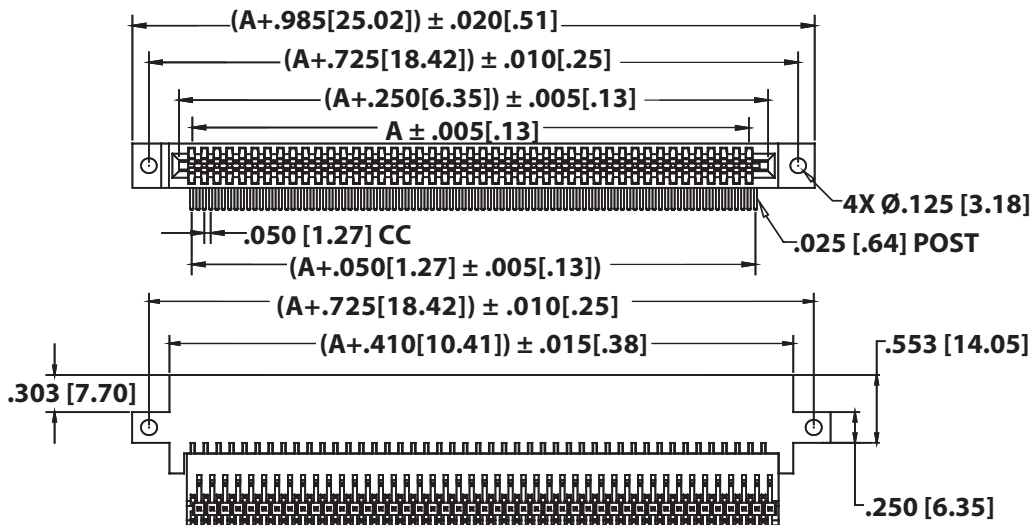
TERMINATION TYPE



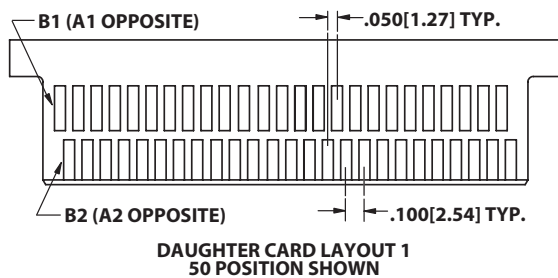
- HIGH DENSITY**
- HIGH TEMPERATURE**
- HIGH CYCLE**
- HIGH RELIABILITY**

DIMENSIONS

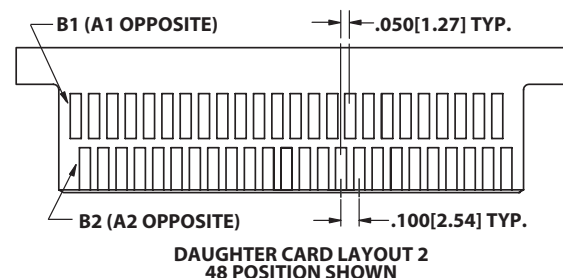
Dimensions in [] are in millimeters, all others are in inches.



DAUGHTER CARD LAYOUT (1)



DAUGHTER CARD LAYOUT (2)





PART NUMBER CODING

MATERIALS (INSULATOR/CONTACT)

- G = PA9T/Phosphor Bronze
Operating Temperature: 125°C
- R = PPS and PA9T/Phosphor Bronze
Operating Temperature: 125°C
- J = PA9T/Beryllium Copper
Operating Temperature: 150°C
- A = PPS and PA9T/Beryllium Copper
Operating Temperature: 150°C

CONTACT FINISH - RoHS Compliant

All platings are Lead Free and have .000050" Nickel underplate
Contact Surface Termination

- B = .000010" Gold .000100" Pure Tin, Matte
- C = .000030" Gold .000100" Pure Tin, Matte
- Y = .000030" Gold .000005" Gold

CONTACT CENTERS

- B = .050" [1.27mm]

A C B 10 D KB S - S1075

OMIT FOR STANDARD

- S - S1075 = Staggered Ears with Side Mounting Holes
- A - S1076 = Staggered Ears with #4-40 Threaded Inserts

Positions	Dimension A (see opposite page)			Daughter Card Layout
	No. of Contacts	Inches	[MM]	
06	12	0.200	5.08	1
08	16	0.300	7.62	2
10	20	0.400	10.16	1
12	24	0.500	12.70	2
14	28	0.600	15.24	1
16	32	0.700	17.78	2
18	36	0.800	20.32	1
20	40	0.900	22.86	2
22	44	1.000	25.40	1
24	48	1.100	27.94	2
26	52	1.200	30.48	1
28	56	1.300	33.02	2
30	60	1.400	35.56	1
32	64	1.500	38.10	2
34	68	1.600	40.64	1
36	72	1.700	43.18	2
38	76	1.800	45.72	1
40	80	1.900	48.26	2
42	84	2.000	50.80	1
44	88	2.100	53.34	2
46	92	2.200	55.88	1
48	96	2.300	58.42	2
50	100	2.400	60.96	1
52	104	2.500	63.50	2
54	108	2.600	66.04	1
56	112	2.700	68.58	2
58	116	2.800	71.12	1
60	120	2.900	73.66	2
62	124	3.000	76.20	1
64	128	3.100	78.74	2
66	132	3.200	81.28	1
68	136	3.300	83.82	2
70	140	3.400	86.36	1
72	144	3.500	88.90	2
74	148	3.600	91.44	1
76	152	3.700	93.98	2
78	156	3.800	96.52	1
80	160	3.900	99.06	2
82	164	4.000	101.60	1
84	168	4.100	104.14	2
86	172	4.200	106.68	1
88	176	4.300	109.22	2
90	180	4.400	111.76	1

MOUNTING STYLE		
H	MOUNTING HOLES	
S	SIDE MOUNTING HOLES	
I	#4-40 THREADED INSERTS	
A	#4-40 THREADED INSERTS IN SIDE HOLES	
Z	FLUSH EARS WITH SIDE MOUNTING HOLES	
D	FLUSH EARS WITH Ø.125 HOLES	
T	FLUSH EARS WITH #4-40 THREADED INSERTS	
V	FLUSH EARS WITH #4-40 THREADED INSERTS IN SIDE HOLES	
N	NO MOUNTING EARS	

MODIFICATION CODE
(CONSULT FACTORY)

STAGGERED EARS WITH SIDE MOUNTING HOLES (S-S1075)

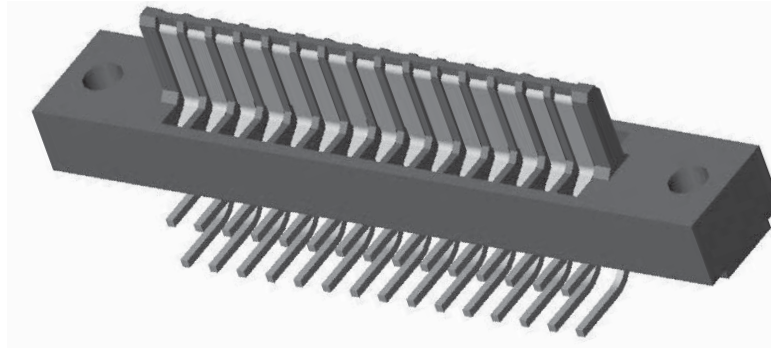
STAGGERED EARS WITH #4-40 THREADED INSERTS (A-S1076)



**.100" [2.54mm] Contact Centers, .540" [13.72mm] Insulator Height,
Male Edgecard, Dip Solder/Right Angle/Card Extender**

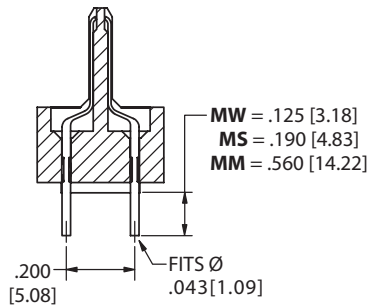
SPECIFICATIONS

- Compatible with .431" or .610" Insulator Height Edgecards
- Mates in place of .062" [1.57] PCB
- PBT or PA9T insulator
- 3 amp current rating per contact
- 30 milli ohm maximum at rated current
- Consult Factory for other Contact Centers

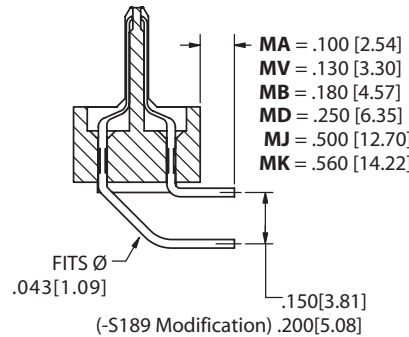


Sullins Edgecards

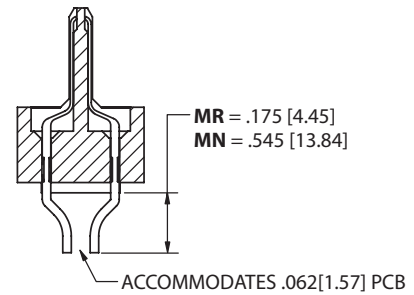
TERMINATION TYPE



**DIP SOLDER (MW, MS)
WIRE WRAP (MM)**

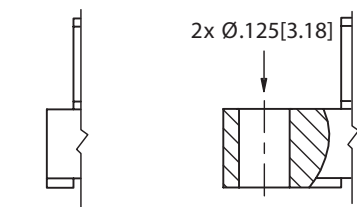


**RIGHT ANGLE
(MA, MV, MB, MD, MJ, MK)**

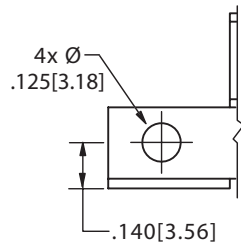


**CARD EXTENDER
(MR, MN)**

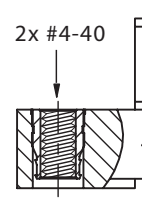
MOUNTING STYLE



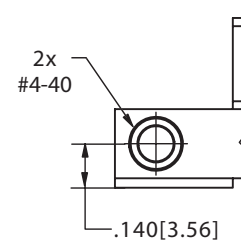
**NO MOUNTING (N)
FLUSH with CLEARANCE HOLES (D)**



FLUSH, SIDE MOUNTING with CLEARANCE HOLES (Z)



FLUSH with THREADED INSERT (T)



FLUSH, with SIDE MOUNTED THREADED INSERT (V)



.100" [2.54mm] Contact Centers, .540" [13.72mm] Insulator Height, Male Edgecard, Dip Solder/Right Angle/Card Extender

Sullins Edgecards

PART NUMBER CODING

E B C 25 M MW D - Sxxx

MATERIALS (Insulator/Contact)
 E = PBT/Phosphor Bronze
 Operating Temperature: -65°C to 125°C
 Processing Temperature: 260°C for 10 seconds Max.
 G = PA9T/Phosphor Bronze
 Operating Temperature: -65°C to 150°C
 Processing Temperature: 260°C for 120 seconds Max.

CONTACT FINISH - RoHS Compliant
All platings are Lead Free and have .000050" Nickel underplate
Contact Surface Termination
 B = .000010" Gold .000100" Pure Tin, Matte
 C = .000030" Gold .000100" Pure Tin, Matte
 Y = .000030" Gold .000005" Gold

CONTACT CENTERS
 C = .100" [2.54mm]

NUMBER OF CONTACT POSITIONS
 04 thru 60 Positions (Contact Factory for Positions Not Shown)

MODIFICATIONS (Consult Factory)
 Omit for Standard
 -S189 = .200" Row Spacing (Right Angle Only)

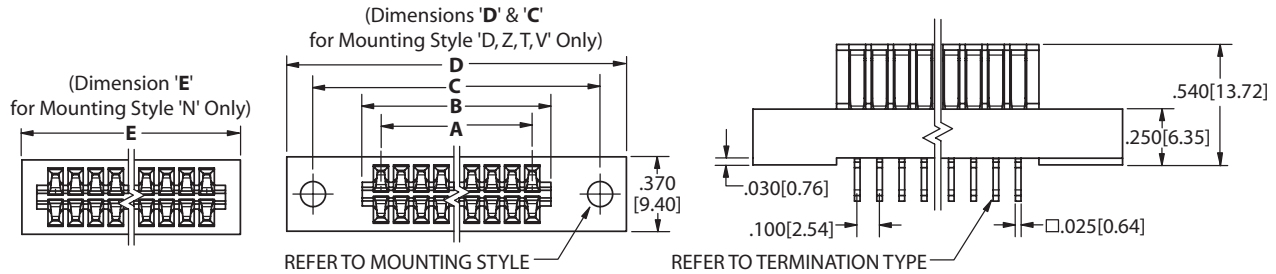
MOUNTING STYLE (Opposite Page)
 N = No Mounting
 D = .250" Ears, Flush Mounting, .125" [3.18mm] Dia
 Z = .250" Ears, Flush, Side Mounting
 T = .250" Ears, Flush Mounting, #4-40 Threaded Insert
 V = Flush, Side Mounting, #4-40 Threaded Insert

TERMINATION TYPE (Opposite Page)
 MW, MS = Dip Solder
 MM = Wire Wrap
 MA, MV, MB = Right Angle
 MD, MJ, MK = Right Angle
 MR, MN = Card Extender

M = Male Edgecard

DIMENSIONS

Dimensions in [] are in millimeters, all others are in inches.



POSITIONS/ CONTACTS	INCHES					[MILLIMETERS]				
	A±.008	B±.008	C±.010	D±.020	E±.020 'N' Mtg. Only	A±0.20	B±0.20	C±0.25	D±0.51	E±0.51 'N' Mtg. Only
04/08	0.300	0.486	0.975	1.236	0.656	7.62	12.34	24.77	31.39	16.66
05/10	0.400	0.586	1.075	1.336	0.756	10.16	14.88	27.31	33.93	19.20
06/12	0.500	0.686	1.175	1.436	0.856	12.70	17.42	29.85	36.47	21.74
07/14	0.600	0.786	1.275	1.536	0.956	15.24	19.96	32.39	39.01	24.28
08/16	0.700	0.886	1.375	1.636	1.056	17.78	22.50	34.93	41.55	26.82
10/20	0.900	1.086	1.575	1.836	1.256	22.86	27.58	40.01	46.63	31.90
12/24	1.100	1.286	1.775	2.036	1.456	27.94	32.66	45.09	51.71	36.98
13/26	1.200	1.386	1.875	2.136	1.556	30.48	35.20	47.63	54.25	39.52
15/30	1.400	1.586	2.075	2.336	1.756	35.56	40.28	52.71	59.33	44.60
17/34	1.600	1.786	2.275	2.536	1.956	40.64	45.36	57.79	64.41	49.68
18/36	1.700	1.886	2.375	2.636	2.056	43.18	47.90	60.33	66.95	52.22
19/38	1.800	1.986	2.475	2.736	2.156	45.72	50.44	62.87	69.49	54.76
20/40	1.900	2.086	2.575	2.836	2.256	48.26	52.98	65.41	72.03	57.30
22/44	2.100	2.286	2.775	3.036	2.456	53.34	58.06	70.49	77.11	62.38
23/46	2.200	2.386	2.875	3.136	2.556	55.88	60.60	73.03	79.65	64.92
24/48	2.300	2.486	2.975	3.236	2.656	58.42	63.14	75.57	82.19	67.46
25/50	2.400	2.586	3.075	3.336	2.756	60.96	65.68	78.11	84.73	70.00
28/56	2.700	2.886	3.375	3.636	3.056	56.58	73.30	85.73	92.35	77.62
30/60	2.900	3.086	3.575	3.836	3.256	73.66	78.38	90.81	97.43	82.70
31/62	3.000	3.186	3.675	3.936	3.356	76.20	80.92	93.35	99.97	85.24
35/70	3.400	3.586	4.075	4.336	3.756	86.36	91.08	103.51	110.13	95.40
36/72	3.500	3.686	4.175	4.436	3.856	88.90	93.62	106.05	112.67	97.94
40/80	3.900	4.086	4.575	4.836	4.256	99.06	103.78	116.21	122.83	108.10
43/86	4.200	4.386	4.875	5.136	4.556	106.68	111.40	123.83	130.45	115.72
44/88	4.300	4.486	4.975	5.236	4.656	109.22	113.94	126.37	132.99	118.26
49/98	4.800	4.986	5.475	5.736	5.156	121.92	126.64	139.07	145.69	130.96
50/100	4.900	5.086	5.575	5.836	5.256	124.46	129.18	141.61	148.23	133.50
52/104	5.100	5.286	5.775	6.036	5.456	129.54	134.26	146.69	153.31	138.58
55/110	5.400	5.586	6.075	6.336	5.756	137.16	141.88	154.31	160.93	146.20
56/112*	5.500	5.686	6.175	6.436	5.856	139.70	144.42	156.85	163.47	148.74
57/114*	5.600	5.786	6.275	6.536	5.956	142.24	146.96	159.39	166.01	151.28
58/116*	5.700	5.886	6.375	6.636	6.056	144.78	149.50	161.93	168.55	153.82
59/118*	5.800	5.986	6.475	6.736	6.156	147.32	152.04	164.47	171.09	156.36
60/120*	5.900	6.086	6.575	6.836	6.256	149.86	154.58	167.01	173.63	158.90

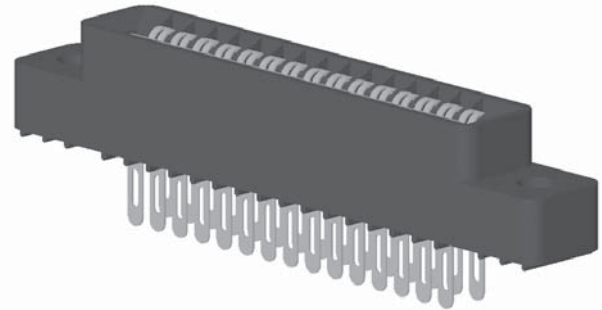
* Available in 'N' Mounting Only



.100" [2.54mm] Contact Centers, .431" Insulator Height
Dip Solder/Eyelet/Right Angle for .062" [1.57] or .031" [0.79] Mating PCB

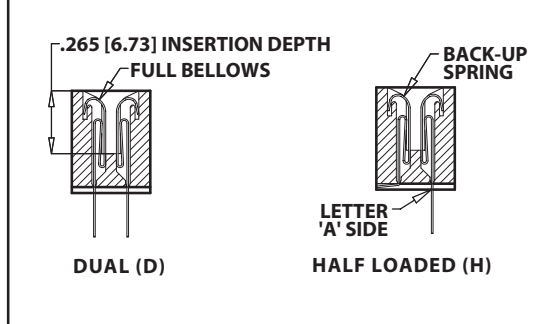
SPECIFICATIONS

- Accommodates .062" ± .008" [1.57 ± .20] PC board
- PBT, PPS, PA9T or PEEK insulator
- Molded-in key available
- 3 amp current rating per contact
- 30 milli ohm maximum at rated current

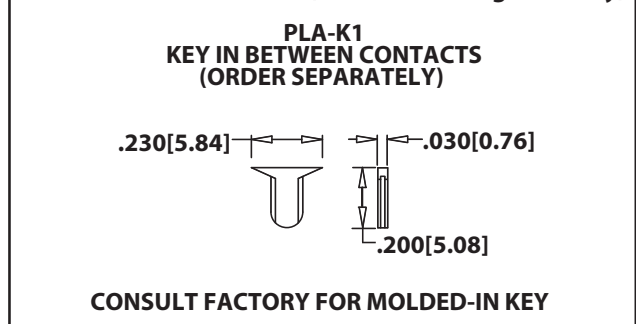


Sullins Edgecards

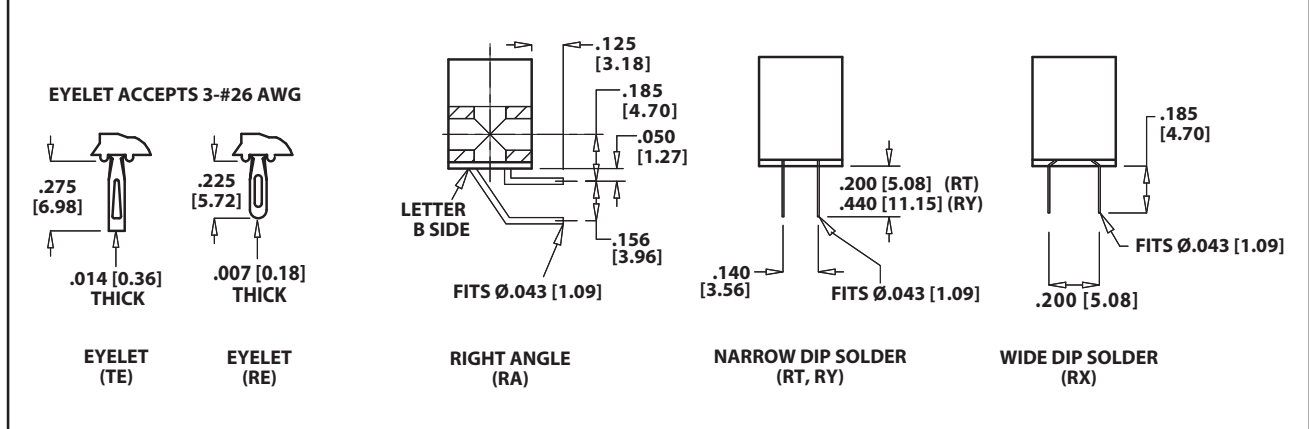
READOUT



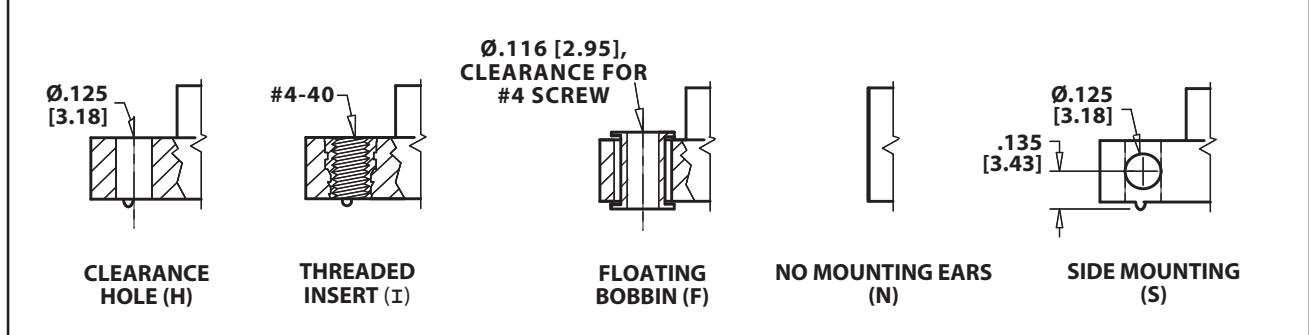
POLARIZING KEYS (For .062" Mating PCB Only)



TERMINATION TYPE



MOUNTING STYLE





.100" [2.54mm] Contact Centers, .431" Insulator Height
Dip Solder/Eyelet/Right Angle for .062" [1.57] or .031" [0.79] Mating PCB

Sullins Edgecards

PART NUMBER CODING

MATERIALS (Insulator/Contact)

- E = PBT/Phosphor Bronze (Standard)
- R = PPS/Phosphor Bronze
- G = PA9T/Phosphor bronze
- H = PBT/Beryllium Copper
- A = PPS/Beryllium Copper
- J = PA9T/Beryllium Copper
- *F = PPS/Spinodal (Overall Gold Plating Only)
Consult Factory for Special Soldering Guidelines
- *C = PPS/Beryllium Nickel (Overall Gold Plating Only)
- *W = PEEK/Beryllium Nickel (Overall Gold Plating Only)
- *Consult Factory for availability.

CONTACT FINISH - RoHS Compliant

All platings are Lead Free and have .000050" Nickel underplate

	Contact Surface	Termination
B =	.000010" Gold	.000100" Pure Tin, Matte
C =	.000030" Gold	.000100" Pure Tin, Matte
G =	.000010" Gold	.000005" Gold
Y =	.000030" Gold	.000005" Gold
	Contact Surface	Overall Plating
S =	.000010" Gold	.000010" Gold
M =	.000030" Gold	.000010" Gold
E =	.000100" Pure Tin, Matte	.000100" Pure Tin, Matte

CONTACT CENTERS

C = .100" [2.54mm]

E B C 43 D RE H - Sxxx

MODIFICATIONS (Consult Factory)

- OMIT FOR STANDARD
- S13 = Card Extender Accepts .062" [1.57] PCB (RE, RT, RY Terminations Only)
- S734 = .031" ± .008" [.79 ± .20] Thick Mating PCB

MOUNTING STYLE (Opposite Page)

- H = .125" [3.18mm] Clearance Holes
- N = No Mounting
- S = Side Mounting
- I = Threaded Insert
- F = Floating Bobbin

TERMINATION TYPE (Opposite Page)

- RA = Right Angle
- RE = Eyelet (Standard)
- TE = Eyelet (Overall Plated Only)
- RT = .140" [3.56mm] x .200" [5.08mm] Dip Solder
- RY = .140" [3.56mm] x .440" [11.18mm] Dip Solder
- RX = .200" [5.08mm] x .185" [4.70mm] Dip Solder

READOUT (Opposite Page)

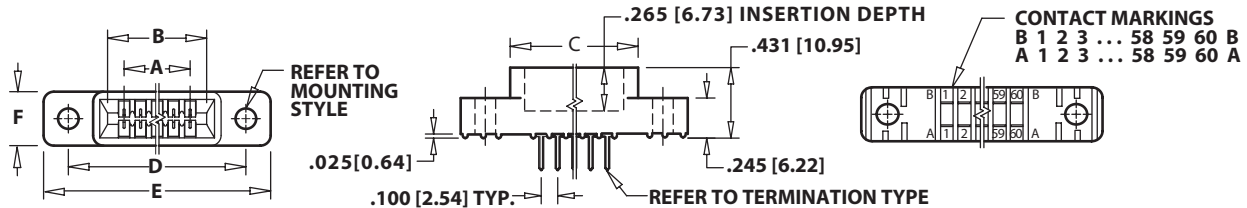
- D = Dual
- H = Half Loaded

NUMBER OF CONTACT POSITIONS

See Chart Below

DIMENSIONS

Dimensions in [] are in millimeters, all others are in inches.



Tolerances with PPS Insulator Material may vary slightly due to shrinkage differential: Consult Factory.

POSITIONS/ CONTACTS	INCHES						[MILLIMETERS]					
	A±.008	B±.008	C±.015	D±.010	E±.020	F±.005	A±0.20	B±0.20	C±0.38	D±0.25	E±0.51	F±0.13
04/08*	0.300	0.500	0.675	0.975	1.275	0.330	7.62	12.70	17.15	24.77	32.39	8.38
05/10	0.400	0.600	0.775	1.075	1.375		10.16	15.24	19.69	27.31	34.93	
06/12	0.500	0.700	0.875	1.175	1.475		12.70	17.78	22.23	29.85	37.47	
07/14	0.600	0.800	0.975	1.275	1.575		15.24	20.32	24.77	32.39	40.01	
08/16	0.700	0.900	1.075	1.375	1.675		17.78	22.86	27.31	34.93	42.55	
10/20	0.900	1.100	1.275	1.575	1.875		22.86	27.94	32.39	40.01	47.63	
12/24	1.100	1.300	1.475	1.775	2.075		27.94	33.02	37.47	45.09	52.71	
13/26	1.200	1.400	1.575	1.875	2.175		30.48	35.56	40.01	47.63	55.25	
15/30	1.400	1.600	1.775	2.075	2.375		35.56	40.64	45.09	52.71	60.33	
17/34	1.600	1.800	1.975	2.275	2.575		40.64	45.72	50.17	57.79	65.41	
18/36	1.700	1.900	2.075	2.375	2.675		43.18	48.26	52.71	60.33	67.95	
19/38	1.800	2.000	2.175	2.475	2.775		45.72	50.80	55.25	62.87	70.49	
20/40	1.900	2.100	2.275	2.575	2.875		48.26	53.34	57.79	65.41	73.03	
22/44	2.100	2.300	2.475	2.775	3.075		53.34	58.42	62.87	70.49	78.11	
23/46*	2.200	2.400	2.575	2.875	3.175		55.88	60.96	65.41	73.03	80.65	
25/50	2.400	2.600	2.775	3.075	3.375		60.96	66.04	70.49	78.11	85.73	
26/52	2.500	2.700	2.875	3.175	3.475	63.50	68.58	73.03	80.65	88.27		
28/56	2.700	2.900	3.075	3.375	3.675	68.58	73.66	78.11	85.73	93.35		
30/60	2.900	3.100	3.275	3.575	3.875	73.66	78.74	83.19	90.81	98.43		
31/62	3.000	3.200	3.375	3.675	3.975	76.20	81.28	85.73	93.35	100.97		
35/70	3.400	3.600	3.775	4.075	4.375	86.36	91.44	95.89	103.51	111.13		
36/72	3.500	3.700	3.875	4.175	4.475	88.90	93.98	98.43	106.05	113.67		
40/80	3.900	4.100	4.275	4.575	4.875	99.06	104.14	108.59	116.21	123.83		
43/86	4.200	4.400	4.575	4.875	5.175	106.68	111.76	116.21	123.83	131.45		
44/88	4.300	4.500	4.675	4.975	5.275	109.22	114.30	118.75	126.37	133.99		
49/98	4.800	5.000	5.175	5.475	5.775	121.92	127.00	131.45	139.07	146.69		
50/100	4.900	5.100	5.275	5.575	5.875	124.46	129.54	133.99	141.61	149.23		
52/104*	5.100	5.300	5.475	5.775	6.075	129.54	134.62	139.07	146.69	154.31		
60/120	5.900	6.100	6.275	6.575	6.875	149.86	154.94	159.39	167.01	174.63		
65/130	6.400	6.600	6.775	7.075	7.375	162.56	167.64	172.09	179.71	187.33		

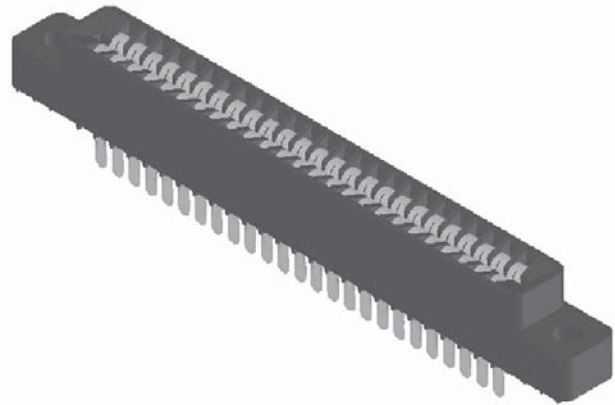
* Consult Factory For Availability



**.100" [2.54mm] Contact Centers, .431" Insulator Height
Dip Solder/Eyelet/Right Angle for .093" [2.36] Mating PCB**

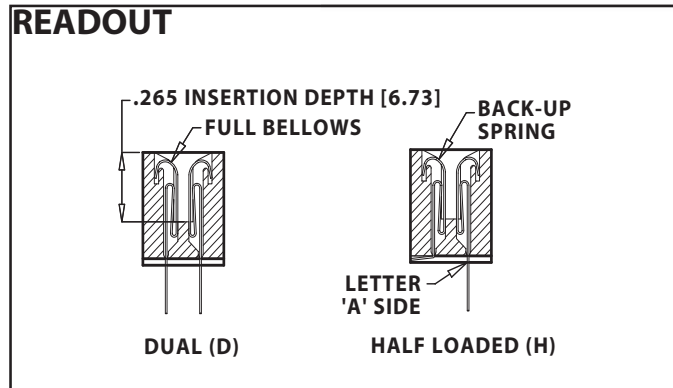
SPECIFICATIONS

- Accommodates .093" ± .008" [2.36 ± .20] PC board
- PBT, PPS, PA9T, or PEEK insulator
- Molded-in key available
- 3 amp current rating per contact
- 30 milli ohm maximum at rated current

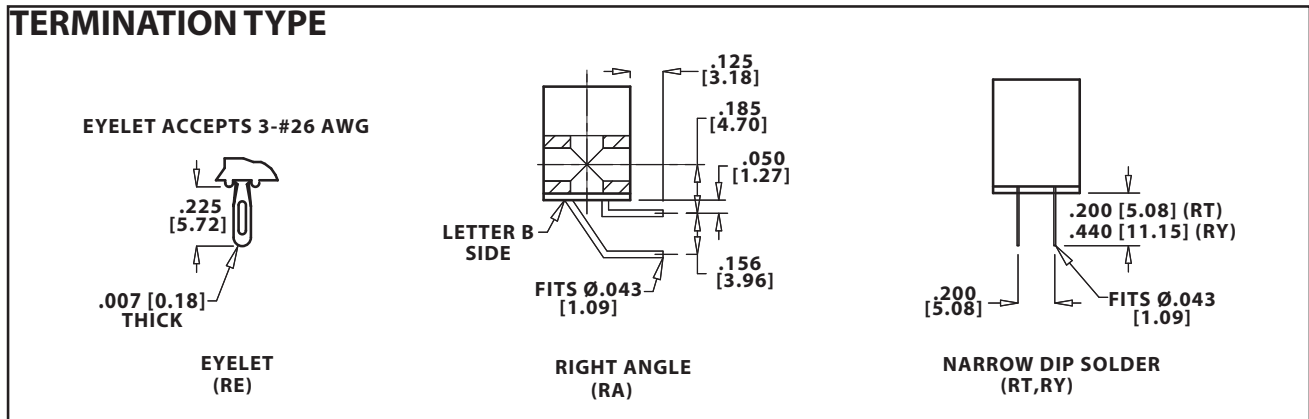


Sullins Edgecards

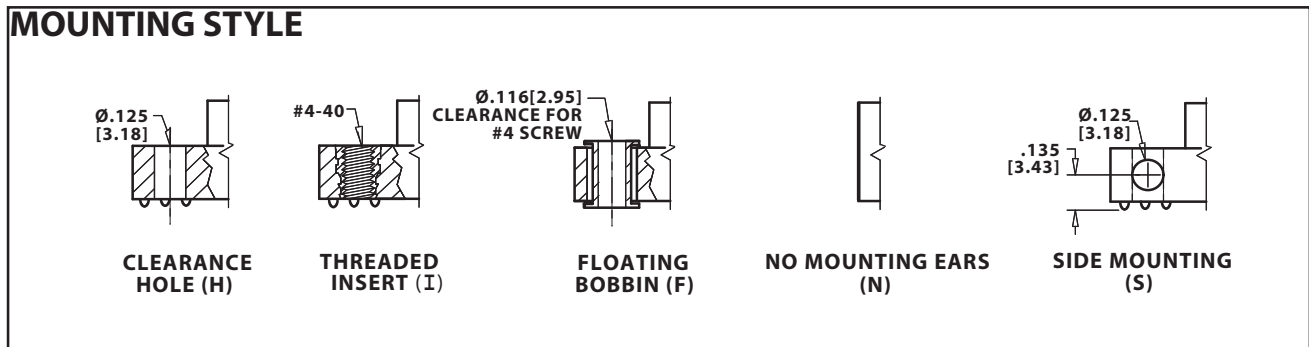
READOUT



TERMINATION TYPE



MOUNTING STYLE





**.100" [2.54mm] Contact Centers, .431" Insulator Height
Dip Solder/Eyelet/Right Angle for .093" [2.36] Mating PCB**

Sullins Edgecards

PART NUMBER CODING

MATERIALS (Insulator/Contact)

- E = PBT/Phosphor Bronze (Standard)
- R = PPS/Phosphor Bronze
- G = PA9T/Phosphor bronze
- H = PBT/Beryllium Copper
- A = PPS/Beryllium Copper
- J = PA9T/Beryllium Copper
- *F = PPS/Spinodal (Overall Gold Plating Only)
Consult Factory for Special Soldering Guidelines
- *C = PPS/Beryllium Nickel (Overall Gold Plating Only)
- *W = PEEK/Beryllium Nickel (Overall Gold Plating Only)
*Consult Factory for availability.

CONTACT FINISH - RoHS Compliant

All platings are Lead Free and have .000050" Nickel underplate

	Contact Surface	Termination
B =	.000010" Gold	.000100" Pure Tin, Matte
C =	.000030" Gold	.000100" Pure Tin, Matte
G =	.000010" Gold	.000005" Gold
Y =	.000030" Gold	.000005" Gold
	Contact Surface	Overall Plating
S =	.000010" Gold	.000010" Gold
M =	.000030" Gold	.000010" Gold
E =	.000100" Pure Tin, Matte	.000100" Pure Tin, Matte

E B C 43 D RE H - S93

MODIFICATION (CONSULT FACTORY)
-S93 = .093" ± .008" [2.36 ± .20] Thick PCB

MOUNTING STYLE (Opposite Page)

- H = .125" [3.18mm] Clearance Holes
- N = No Mounting
- S = Side Mounting
- I = Threaded Insert
- F = Floating Bobbin

TERMINATION TYPE (Opposite Page)

- RA = Right Angle
- RE = Eyelet
- RT = .200" [5.08mm] x .200" [5.08mm] Dip Solder
- RY = .200" [5.08mm] x .440" [11.18mm] Dip Solder

READOUT (Opposite Page)

- D = Dual
- H = Half Loaded

NUMBER OF CONTACT POSITIONS

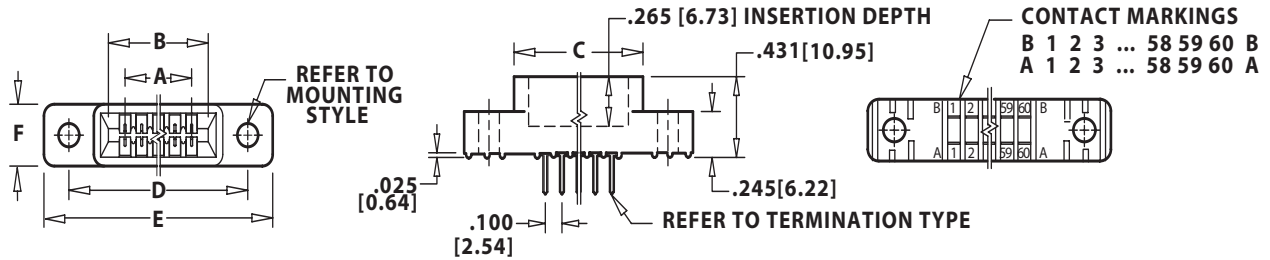
See Chart Below

CONTACT CENTERS

C = .100" [2.54mm]

DIMENSIONS

Dimensions in [] are in millimeters, all others are in inches.



Tolerances with PPS Insulator Material may vary slightly due to shrinkage differential: Consult Factory.

POSITIONS/ CONTACTS	INCHES						[MILLIMETERS]					
	A±.008	B±.008	C±.015	D±.010	E±.020	F±.005	A±0.20	B±0.20	C±0.38	D±0.25	E±0.51	F±0.13
04/08*	0.300	0.500	0.675	0.975	1.275		7.62	12.70	17.15	24.77	32.39	
05/10	0.400	0.600	0.775	1.075	1.375		10.16	15.24	19.69	27.31	34.93	
06/12	0.500	0.700	0.875	1.175	1.475		12.70	17.78	22.23	29.85	37.47	
07/14	0.600	0.800	0.975	1.275	1.575		15.24	20.32	24.77	32.39	40.01	
08/16	0.700	0.900	1.075	1.375	1.675		17.78	22.86	27.31	34.93	42.55	
10/20	0.900	1.100	1.275	1.575	1.875		22.86	27.94	32.39	40.01	47.63	
12/24	1.100	1.300	1.475	1.775	2.075		27.94	33.02	37.47	45.09	52.71	
13/26	1.200	1.400	1.575	1.875	2.175		30.48	35.56	40.01	47.63	55.25	
15/30	1.400	1.600	1.775	2.075	2.375		35.56	40.64	45.09	52.71	60.33	
17/34	1.600	1.800	1.975	2.275	2.575		40.64	45.72	50.17	57.79	65.41	
18/36	1.700	1.900	2.075	2.375	2.675	0.330	43.18	48.26	52.71	60.33	67.95	8.38
19/38	1.800	2.000	2.175	2.475	2.775		45.72	50.80	55.25	62.87	70.49	
20/40	1.900	2.100	2.275	2.575	2.875		48.26	53.34	57.79	65.41	73.03	
22/44	2.100	2.300	2.475	2.775	3.075		53.34	58.42	62.87	70.49	78.11	
23/46*	2.200	2.400	2.575	2.875	3.175		55.88	60.96	65.41	73.03	80.65	
25/50	2.400	2.600	2.775	3.075	3.375		60.96	66.04	70.49	78.11	85.73	
26/52	2.500	2.700	2.875	3.175	3.475		63.50	68.58	73.03	80.65	88.27	
28/56	2.700	2.900	3.075	3.375	3.675		68.58	73.66	78.11	85.73	93.35	
30/60	2.900	3.100	3.275	3.575	3.875		73.66	78.74	83.19	90.81	98.43	
31/62	3.000	3.200	3.375	3.675	3.975		76.20	81.28	85.73	93.35	100.97	
35/70	3.400	3.600	3.775	4.075	4.375		86.36	91.44	95.89	103.51	111.13	
36/72	3.500	3.700	3.875	4.175	4.475		88.90	93.98	98.43	106.05	113.67	
40/80	3.900	4.100	4.275	4.575	4.875		99.06	104.14	108.59	116.21	123.83	
43/86	4.200	4.400	4.575	4.875	5.175		106.68	111.76	116.21	123.83	131.45	
44/88	4.300	4.500	4.675	4.975	5.275		109.22	114.30	118.75	126.37	133.99	
49/98	4.800	5.000	5.175	5.475	5.775	0.400	121.92	127.00	131.45	139.07	146.69	10.16
50/100	4.900	5.100	5.275	5.575	5.875		124.46	129.54	133.99	141.61	149.23	
52/104*	5.100	5.300	5.475	5.775	6.075		129.54	134.62	139.07	146.69	154.31	
60/120	5.900	6.100	6.275	6.575	6.875		149.86	154.94	159.39	167.01	174.63	
65/125	6.400	6.600	6.775	7.075	7.375		162.56	167.64	172.09	179.71	187.33	

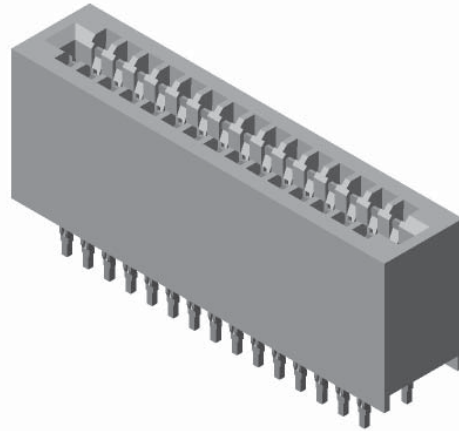
* Consult Factory For Availability



**.100" [2.54mm] Contact Centers, .550" or .610" Profile
Press Fit**

SPECIFICATIONS

- Designed to meet specifications of Bellcore specification TR-TSY-00078.
- Flat rock installation eliminates the need for any special installation tool.
- Integrally molded scoops available to assist daughter card entry.
- Various plating options available per customer requirements.
- Various insulator options per customer requirements, including:
 - Open ended on one side
 - Open ended on both sides to accommodate end to end mounting
 - Molded in keys per customer requirements.



Sullins Edgecards

FEATURES

COMPLIANT SECTION INSERTION FORCE
40 lbs maximum per contact

COMPLIANT SECTION WITHDRAWAL FORCE
10 lbs minimum per contact

HOLE SIZE REQUIREMENTS
Drilled Hole Diameter: $.0453" \pm .0010"$ [1.15 ± .03]
Plating: $.001"$ [.03] to $.003"$ [.08] Copper and $.0003"$ [.01] Minimum Tin

FINISHED HOLE DIAMETER
 $.040" \pm .003"$ [1.02 ± .08]

SUITABLE FOR .062" [1.57] DAUGHTER CARD

RECOMMENDED MOTHERBOARD THICKNESS
 $.093"$ to $.125"$ [2.36 to 3.18]

UL-CUL RECOGNIZED

DIMENSIONS Dimensions in [] are in millimeters, all others are in inches.

OPTIONAL SCOOPS .050 [1.27]

REFER TO TERMINATION TYPE (Opposite Page)

ACCEPTS .054 [1.37] TO .071 [1.80] P.C. BOARD

.415 [10.54]

.150 [3.81]

P.C. BOARD

.025 [.64] SQ.

ROW SPACING SEE TERMINATION TYPE (Opposite Page)

-S1136 (WITH SCOOPS) SHOWN ABOVE

.550 [13.97]

.610 [15.49]

WITHOUT STANDOFFS WITH STANDOFFS

STANDOFF VIEWS WITH NO SCOOPS SHOWN



**.100" [2.54mm] Contact Centers, .550" or .610" Profile
Press Fit**

PART NUMBER CODING

E C C 43 D JB N - Sxxx

MATERIALS (Insulator/Contact)
E = PBT/Phosphor Bronze

CONTACT FINISH - RoHS Compliant
All platings are Lead Free and have .000050" Nickel underplate

Contact Surface Termination
C = .000030" Gold .000100" Pure Tin, Matte

CONTACT CENTERS
C = .100" [2.54mm]

NUMBER OF CONTACT POSITIONS
See Chart Below

READOUT
D = Dual
H = Half Loaded

MODIFICATIONS (Consult Factory)
OMIT FOR STANDARD
Special Number assigned for specials such as:
- Scoops (-S1136)
- Other Card Slot Depths
- Slim Line Body (.315" [8.00mm])

MOUNTING STYLE
N = No Mounting
B = Open Card Slot

TERMINATION TYPE

	Standoffs	Row Spacing	Tail Length
JB =	No	.200" [5.08mm]	.190" [4.83mm]
JC =	No	.200" [5.08mm]	.625" [15.88mm]
JW =	Yes	.200" [5.08mm]	.190" [4.83mm]
JX =	Yes	.200" [5.08mm]	.565" [14.35mm]
JF =	No	.100" [2.54mm]	.190" [4.83mm]
JG =	No	.100" [2.54mm]	.625" [15.88mm]
JY =	Yes	.100" [2.54mm]	.190" [4.83mm]
JZ =	Yes	.100" [2.54mm]	.565" [14.35mm]

POSITIONS/ CONTACTS	A±.008[0.20]		B±.008[0.20]		C±.015[0.38]	
	INCH	[MM]	INCH	[MM]	INCH	[MM]
05/10	0.400	10.16	0.600	15.24	0.756	19.20
06/12	0.500	12.70	0.700	17.78	0.856	21.74
07/14	0.600	15.24	0.800	20.32	0.956	24.28
08/16	0.700	17.78	0.900	22.86	1.056	26.82
09/18	0.800	20.32	1.000	25.40	1.156	29.36
10/20	0.900	22.86	1.100	27.94	1.256	31.90
11/22	1.000	25.40	1.200	30.48	1.356	34.44
12/24	1.100	27.94	1.300	33.02	1.456	36.98
13/26	1.200	30.48	1.400	35.56	1.556	39.52
14/28	1.300	33.02	1.500	38.10	1.656	42.06
15/30	1.400	35.56	1.600	40.64	1.756	44.60
16/32	1.500	38.10	1.700	43.18	1.856	47.14
17/34	1.600	40.64	1.800	45.72	1.956	49.68
18/36	1.700	43.18	1.900	48.26	2.056	52.22
19/38	1.800	45.72	2.000	50.80	2.156	54.76
20/40	1.900	48.26	2.100	53.34	2.256	57.30
21/42	2.000	50.80	2.200	55.88	2.356	59.84
22/44	2.100	53.34	2.300	58.42	2.456	62.38
23/46	2.200	55.88	2.400	60.96	2.556	64.92
24/48	2.300	58.42	2.500	63.50	2.656	67.46
25/50	2.400	60.96	2.600	66.04	2.756	70.00
26/52	2.500	63.50	2.700	68.58	2.856	72.54
27/54	2.600	66.04	2.800	71.12	2.956	75.08
28/56	2.700	68.58	2.900	73.66	3.056	77.62
29/58	2.800	71.12	3.000	76.20	3.156	80.16
30/60	2.900	73.66	3.100	78.74	3.256	82.70
31/62	3.000	76.20	3.200	81.28	3.356	85.24
32/64	3.100	78.74	3.300	83.82	3.456	87.78

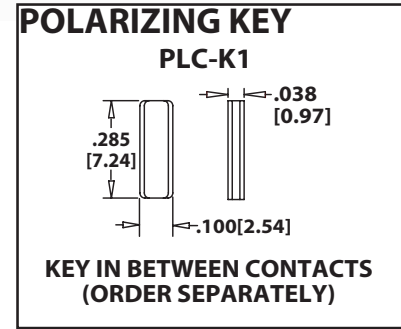
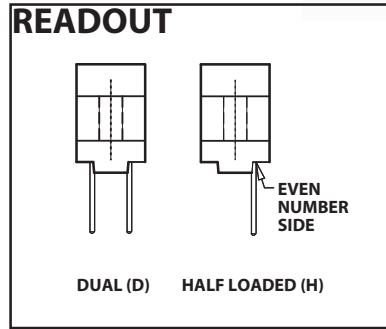
POSITIONS/ CONTACTS	A±.008[0.20]		B±.008[0.20]		C±.015[0.38]	
	INCH	[MM]	INCH	[MM]	INCH	[MM]
33/66	3.200	81.28	3.400	86.36	3.556	90.32
34/68	3.300	83.82	3.500	88.90	3.656	92.86
35/70	3.400	86.36	3.600	91.44	3.756	95.40
36/72	3.500	88.90	3.700	93.98	3.856	97.94
37/74	3.600	91.44	3.800	96.52	3.956	100.48
38/76	3.700	93.98	3.900	99.06	4.056	103.02
39/78	3.800	96.52	4.000	101.60	4.156	105.56
40/80	3.900	99.06	4.100	104.14	4.256	108.10
41/82	4.000	101.60	4.200	106.68	4.356	110.64
42/84	4.100	104.14	4.300	109.22	4.456	113.18
43/86	4.200	106.68	4.400	111.76	4.556	115.72
44/88	4.300	109.22	4.500	114.30	4.656	118.26
45/90	4.400	111.76	4.600	116.84	4.756	120.80
46/92	4.500	114.30	4.700	119.38	4.856	123.34
47/94	4.600	116.84	4.800	121.92	4.956	125.88
48/96	4.700	119.38	4.900	124.46	5.056	128.42
49/98	4.800	121.92	5.000	127.00	5.156	130.96
50/100	4.900	124.46	5.100	129.54	5.256	133.50
51/102	5.000	127.00	5.200	132.08	5.356	136.04
52/104	5.100	129.54	5.300	134.62	5.456	138.58
53/106	5.200	132.08	5.400	137.16	5.556	141.12
54/108	5.300	134.62	5.500	139.70	5.656	143.66
55/110	5.400	137.16	5.600	142.24	5.756	146.20
56/112	5.500	139.70	5.700	144.78	5.856	148.74
57/114	5.600	142.24	5.800	147.32	5.956	151.28
58/116	5.700	144.78	5.900	149.86	6.056	153.82
59/118	5.800	147.32	6.000	152.40	6.156	156.36
60/120	5.900	149.86	6.100	154.94	6.256	158.90



**.100" [2.54mm] Contact Centers, .610" Insulator Height
Dip Solder/Wire Wrap/Right Angle/Card Extender**

SPECIFICATIONS

- Accommodates .062" ± .008" [1.57 ± .20] PC board (For .093" ± .008" [2.36 ± .20] PCB see page 40-41, 42-43; for .125" ± .008" [3.18 ± .20] PCB see page 40-41)
- PBT, PPS or PA9T insulator
- Molded-in key available
- 3 amp current rating per contact
- 30 milli ohm maximum at rated current

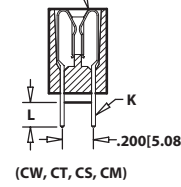


Sullins Edgcards

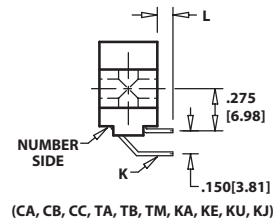
TERMINATION TYPE

HAIRPIN BELLOWS	TERMINATION TYPE	POST CROSS SECTION K	POST LENGTH L .025 [.64]	FITS MIN. HOLE SIZE
CW	DIP SOLDER	.015 x .025 [.38 x .64]	.125 [3.18]	.035 [0.76]
CT	DIP SOLDER	.015 x .025 [.38 x .64]	.170 [4.32]	.035 [0.76]
CS	DIP SOLDER	.025 [.64] SQUARE	.160 [4.06]	.040 [1.02]
CM	WIRE WRAP	.025 [.64] SQUARE	.560 [14.20]	.040 [1.02]
CA	RIGHT ANGLE	.025 [.64] SQUARE	.100 [2.54]	.043 [1.09]
CB	RIGHT ANGLE	.025 [.64] SQUARE	.180 [4.57]	.043 [1.09]
CC	RIGHT ANGLE	.025 [.64] SQUARE	.250 [6.35]	.043 [1.09]

HAIRPIN BELLOWS

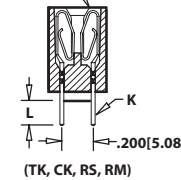


RIGHT ANGLE

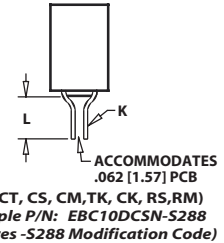


LOOP BELLOWS	TERMINATION TYPE	POST CROSS SECTION K	POST LENGTH L .025 [.64]	FITS MIN. HOLE SIZE
TK,CK	DIP SOLDER	.026 [.66] ROUND	.190 [4.83]	.030 [0.76]
RS	DIP SOLDER	.025 [.64] SQUARE	.190 [4.83]	.040 [1.02]
RM	WIRE WRAP	.025 [.64] SQUARE	.560 [14.20]	.040 [1.02]
TA	RIGHT ANGLE	.025 [.64] SQUARE	.100 [2.54]	.043 [1.09]
TB	RIGHT ANGLE	.025 [.64] SQUARE	.180 [4.57]	.043 [1.09]
TM	RIGHT ANGLE	.025 [.64] SQUARE	.250 [6.35]	.043 [1.09]

LOOP BELLOWS

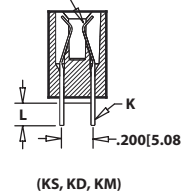


HAIRPIN or LOOP CARD EXTENDER

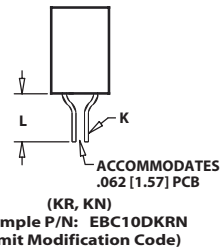


CANTILEVER	TERMINATION TYPE	POST CROSS SECTION K	POST LENGTH L .025 [.64]	FITS MIN. HOLE SIZE
KS	DIP SOLDER	.025 [.64] SQUARE	.190 [4.83]	.040 [1.02]
KD	DIP SOLDER	.025 [.64] SQUARE	.160 [4.06]	.043 [1.09]
KM	WIRE WRAP	.025 [.64] SQUARE	.560 [14.20]	.040 [1.02]
*KA	RIGHT ANGLE	.025 [.64] SQUARE	.100 [2.54]	.043 [1.09]
*KE	RIGHT ANGLE	.025 [.64] SQUARE	.180 [4.57]	.043 [1.09]
*KU	RIGHT ANGLE	.025 [.64] SQUARE	.250 [6.35]	.043 [1.09]
*KJ	RIGHT ANGLE	.025 [.64] SQUARE	.500 [12.70]	.043 [1.09]
*KR	CARD EXTENDER	.025 [.64] SQUARE	.235 [5.97]	N/A
*KN	CARD EXTENDER	.025 [.64] SQUARE	.605 [15.37]	N/A

CANTILEVER

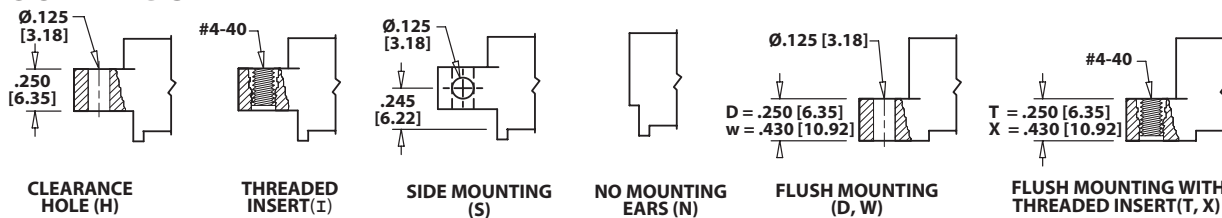


CANTILEVER CARD EXTENDER



* KA, KE, KJ, KR, KN have no standoffs, unless requested.

MOUNTING STYLE





**.100" [2.54mm] Contact Centers, .610" Insulator Height
Dip Solder/Wire Wrap/Right Angle/Card Extender**

Sullins Edgecards

PART NUMBER CODING

MATERIALS (Insulator/Contact)

- E = PBT/Phosphor Bronze (Standard)
 - R = PPS/Phosphor Bronze
 - G = PA9T/Phosphor Bronze
 - H = PBT/Beryllium Copper
 - A = PPS/Beryllium Copper
 - J = PA9T/Beryllium Copper
- (Consult Factory for Other Materials)

CONTACT FINISH - RoHS Compliant

All platings are Lead Free and have .000050" Nickel underplate

	Contact Surface	Termination
B =	.000010" Gold	.000100" Pure Tin, Matte
C =	.000030" Gold	.000100" Pure Tin, Matte
G =	.000010" Gold	.000005" Gold
Y =	.000030" Gold	.000005" Gold
	Contact Surface	Overall Plating
S =	.000010" Gold	.000010" Gold
M =	.000030" Gold	.000010" Gold
E =	.000100" Pure Tin, Matte	.000100" Pure Tin, Matte

CONTACT CENTERS

C = .100" [2.54mm]

NUMBER OF CONTACT POSITIONS

See Chart Below

READOUT (Opposite Page)

- D = Dual
- H = Half Loaded

E B C 70 D CM H - Sxxx

MODIFICATION CODE (Consult Factory)

- OMIT FORT STANDARD
- S189 = .200" [5.08mm] Row to Row on Right Angle
- S288* = Card Extender Accepts .062" [1.57] PCB
- * Not Required on KR or KN Terminations

MOUNTING STYLE (Opposite Page)

- H = Clearance Holes
- I = Threaded Inserts
- S = Side Mounting
- N = No Mounting
- D,W = Flush Mounting
- T,X = Flush Mounting With Threaded Inserts

TERMINATION TYPE (Opposite Page)

Hairpin Bellows - Available with B or C plating and Phosphor Bronze Only

- CS = .025" [.64mm] Square Dip Solder
- CM = .025 [.64mm] Square Wire Wrap
- CA, CB, CC = .025" [.64mm] Square Right Angle
- CW, CT = .015" x .025" [.38 x .64] Dip Solder

Loop Bellows

- RS = .025" [0.64mm] Square Dip Solder
- CK, TK = .026" [0.66mm] Round Dip Solder
- RM = .025" [0.64mm] Square Wire Wrap
- TA, TB, TM = .025" [.64mm] Square Right Angle

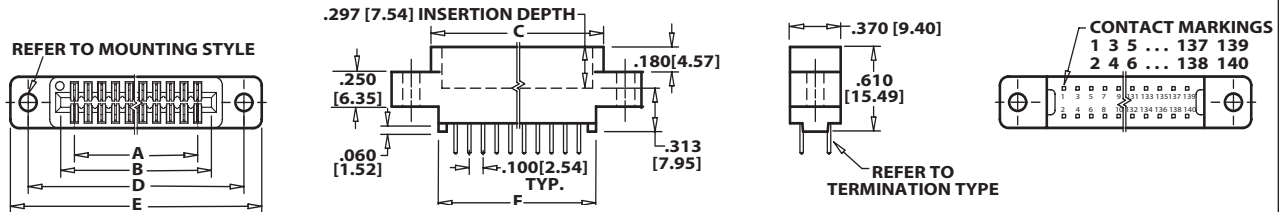
Cantilever Bellows - Available in Y, B, or C plating Only

Not Available with R or A Materials

- KS, KD = .025" [.64mm] Square Dip Solder
- KM = .025 [.64mm] Square Wire Wrap
- KA, KE, KU, KJ = .025" [.64mm] Square Right Angle
- KR, KN = .025" [.64mm] Square Card Extender

DIMENSIONS

Dimensions in [] are in millimeters, all others are in inches.



Tolerances with PPS Insulator Material may vary slightly due to shrinkage differential; Consult Factory.

POSITIONS/ CONTACTS	INCHES						[MILLIMETERS]					
	A±.008	B±.008	C±.015	D±.010	E±.020	F±.015	A±0.20	B±0.20	C±0.38	D±0.25	E±0.51	F±0.38
06/12	0.500	0.700	0.860	1.175	1.435	0.750	12.70	17.78	21.84	29.85	36.45	19.05
07/14*	0.600	0.800	0.960	1.275	1.535	0.850	15.24	20.32	24.38	32.39	38.99	21.59
08/16	0.700	0.900	1.060	1.375	1.635	0.950	17.78	22.86	26.92	34.93	41.53	24.13
10/20	0.900	1.100	1.260	1.575	1.835	1.150	22.86	27.94	32.00	40.01	46.61	29.21
12/24	1.100	1.300	1.460	1.775	2.035	1.350	27.94	33.02	37.08	45.09	51.69	34.29
13/26	1.200	1.400	1.560	1.875	2.135	1.450	30.48	35.56	39.62	47.63	54.23	36.83
15/30	1.400	1.600	1.760	2.075	2.335	1.650	35.56	40.64	44.70	52.71	59.31	41.91
17/34	1.600	1.800	1.960	2.275	2.535	1.850	40.64	45.72	49.78	57.79	64.39	46.99
18/36	1.700	1.900	2.060	2.375	2.635	1.950	43.18	48.26	52.32	60.33	66.93	49.53
20/40	1.900	2.100	2.260	2.575	2.835	2.150	48.26	53.34	57.40	65.41	72.01	54.61
22/44	2.100	2.300	2.460	2.775	3.035	2.350	53.34	58.42	62.48	70.49	77.09	59.69
24/48	2.300	2.500	2.660	2.975	3.235	2.550	58.42	63.50	67.56	75.57	82.17	64.77
25/50	2.400	2.600	2.760	3.075	3.335	2.650	60.96	66.04	70.10	78.11	84.71	67.31
28/56	2.700	2.900	3.060	3.375	3.635	2.950	68.58	73.66	77.72	85.73	92.33	74.93
30/60	2.900	3.100	3.260	3.575	3.835	3.150	73.66	78.74	82.80	90.81	97.41	80.01
31/62	3.000	3.200	3.360	3.675	3.935	3.250	76.20	81.28	85.34	93.35	99.95	82.55
35/70	3.400	3.600	3.760	4.075	4.335	3.650	86.36	91.44	95.50	103.51	110.11	92.71
36/72	3.500	3.700	3.860	4.175	4.435	3.750	88.90	93.98	98.04	106.05	112.65	95.25
40/80	3.900	4.100	4.260	4.575	4.835	4.150	99.06	104.14	108.20	116.21	122.81	105.41
43/86	4.200	4.400	4.560	4.875	5.135	4.450	106.68	111.76	115.82	123.83	130.43	113.03
44/88	4.300	4.500	4.660	4.975	5.235	4.550	109.22	114.30	118.36	126.37	132.97	115.57
49/98*	4.800	5.000	5.160	5.475	5.735	5.050	121.92	127.00	131.06	139.07	145.67	128.27
50/100	4.900	5.100	5.260	5.575	5.835	5.150	124.46	129.54	133.60	141.61	148.21	130.81
55/110	5.400	5.600	5.760	6.075	6.335	5.650	137.16	142.24	146.30	154.31	160.91	143.51
60/120	5.900	6.100	6.260	6.575	6.835	6.150	149.86	154.94	159.00	167.01	173.61	156.21
61/122	6.000	6.200	6.360	6.675	6.935	6.250	152.40	157.48	161.54	169.55	176.15	158.75
65/130	6.400	6.600	6.760	7.075	7.335	6.650	162.56	167.64	171.70	179.71	186.31	168.91
70/140	6.900	7.100	7.260	7.575	7.835	7.150	175.26	180.34	184.40	192.41	199.01	181.61
80/160*	7.900	8.100	8.260	8.575	8.835	8.150	200.66	205.74	209.80	217.81	224.41	207.01
90/180*	8.900	9.100	9.260	9.575	9.835	9.150	226.06	231.14	235.20	243.21	249.81	232.41
100/200*	9.900	10.100	10.260	10.575	10.835	10.150	251.46	256.54	260.60	268.61	275.21	257.81

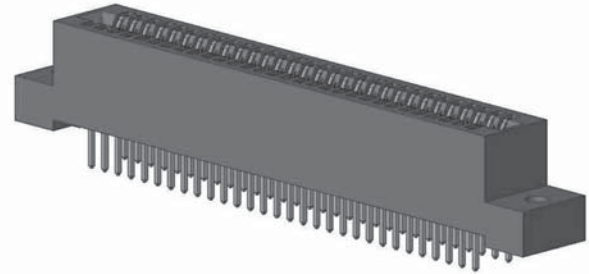
* Consult factory for availability.



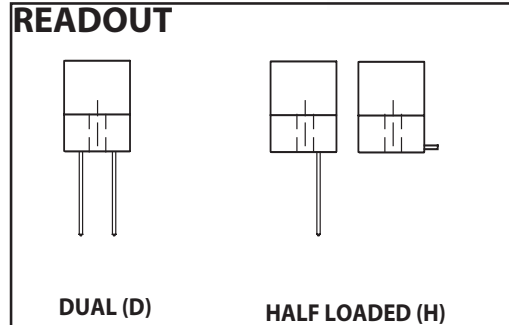
**.100" [2.54mm] Contact Centers, .610" Insulator Height, Dip Solder/Wire Wrap/
Right Angle/Card Extender for .093" [2.36] or .125" [3.18] Mating PCB**

SPECIFICATIONS

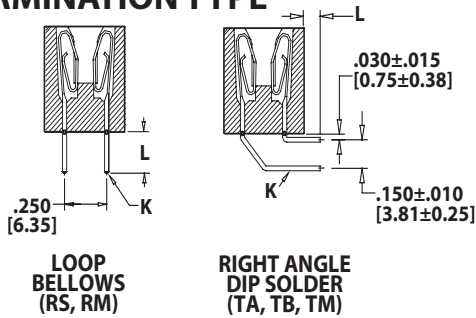
- Accommodates .093" ± .008" [2.36 ± .20] or .125" ± .008" [3.18 ± .20] mating PC board (Consult factory for .031" ± .008" [.79 ± .20] boards)
- PBT, PPS or PA9T insulator
- Molded-in key available
- 3 amp current rating per contact
- 30 milli ohm maximum at rated current



Sullins Edgecards

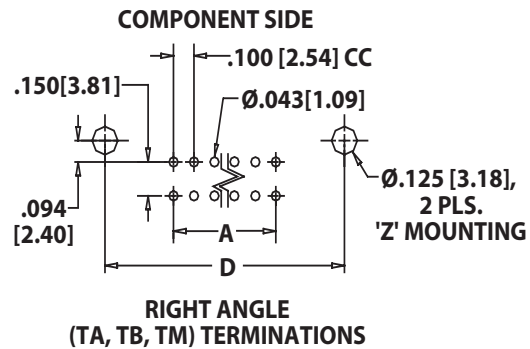
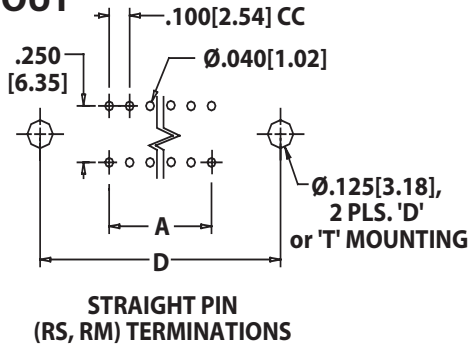


TERMINATION TYPE

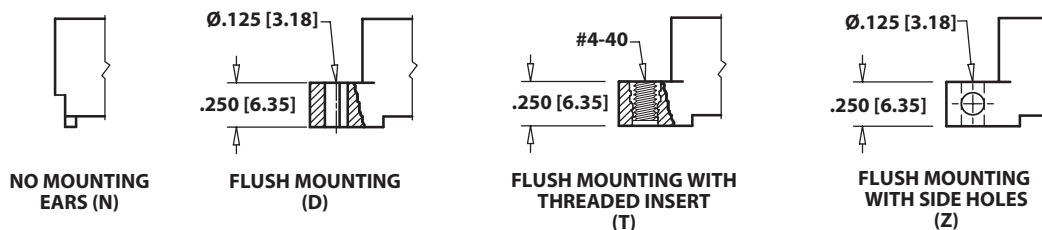


TERMINATION TYPE		POST CROSS SECTION (K)	POST LENGTH L ±.025 [.64]	FITS MIN. HOLE SIZE
RS	Dip Solder	.025 [.64] SQUARE	.190 [4.83]	.040 [1.02]
RM	Wire Wrap	.025 [.64] SQUARE	.560 [14.20]	.040 [1.02]
TA	Right Angle	.025 [.64] SQUARE	.100 [2.54]	.043 [1.09]
TB	Right Angle	.025 [.64] SQUARE	.180 [4.57]	.043 [1.09]
TM	Right Angle	.025 [.64] SQUARE	.250 [6.35]	.043 [1.09]

PCB LAYOUT



MOUNTING STYLE





**.100" [2.54mm] Contact Centers, .610" Insulator Height, Dip Solder/Wire Wrap/
Right Angle/Card Extender for .093"[2.36] or .125"[3.18] Mating PCB**

PART NUMBER CODING

MATERIALS (Insulator /Contact)

- E = PBT/Phosphor Bronze
- R = PPS/Phosphor Bronze
- G = PA9T/Phosphor Bronze
- H = PBT/Beryllium Copper
- A = PPS/Beryllium Copper
- J = PA9T/Beryllium Copper
- (Consult Factory for Other Materials)

CONTACT FINISH - RoHS Compliant

All platings are Lead Free and have .000050" Nickel underplate

	Contact Surface	Termination
B =	.00010" Gold	.000100" Pure Tin, Matte
C =	.000030" Gold	.000100" Pure Tin, Matte
G =	.000010" Gold	.000005" Gold
Y =	.000030" Gold	.000005" Gold
	Contact Surface	Overall Plating
S =	.000010" Gold	.000010" Gold
M =	.000030" Gold	.000010" Gold
E =	.000100" Pure Tin, Matte	.000100" Pure Tin, Matte

E B C 70 D RM D - S273

MODIFICATION CODE (Consult Factory)

- S273 = FOR .093" ± .008" [2.36 ± .20] THICK MATING PCB
- S664 = FOR .125" ± .008" [3.18 ± .20] THICK MATING PCB

MOUNTING STYLE (Opposite Page)

- N = No Mounting
- D = Flush Mounting
- T = Flush Mounting With Threaded Inserts
- Z = Flush Mounting With Side Holes

TERMINATION TYPE (Opposite Page)

- RS = .025" [0.64mm] Square Dip Solder
- RM = .025" [0.64mm] Square Wire Wrap
- TA, TB, TM = .025" [0.64mm] Square Right Angle

READOUT (Opposite Page)

- D = Dual
- H = Half Loaded

NUMBER OF CONTACT POSITIONS

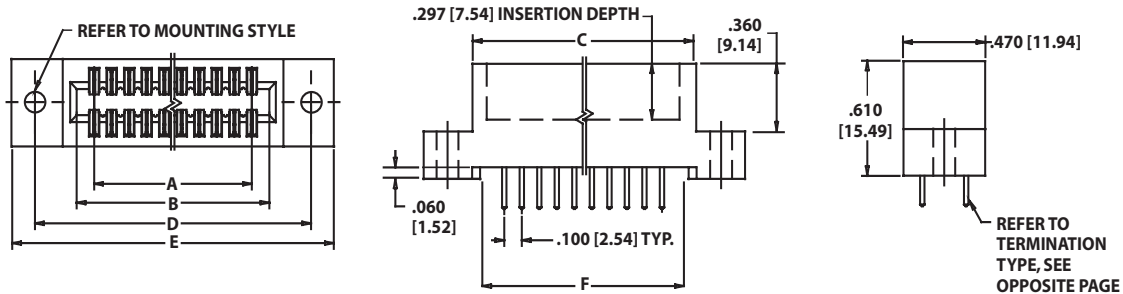
See Chart Below

CONTACT CENTERS

C = .100" [2.54mm]

DIMENSIONS

Dimensions in [] are in millimeters, all others are in inches.



Tolerances with PPS Insulator Material may vary slightly due to shrinkage differential; Consult Factory.

POSITIONS/ CONTACTS	INCHES						[MILLIMETERS]					
	A±.008	B±.008	C±.015	D±.010	E±.020	F±.015	A±0.20	B±0.20	C±0.38	D±0.25	E±0.51	F±0.38
06/12	0.500	0.700	0.860	1.175	1.435	0.750	12.70	17.78	21.84	29.85	36.45	19.05
07/14*	0.600	0.800	0.960	1.275	1.535	0.850	15.24	20.32	24.38	32.39	38.99	21.59
08/16*	0.700	0.900	1.060	1.375	1.635	0.950	17.78	22.86	26.92	34.93	41.53	24.13
10/20	0.900	1.100	1.260	1.575	1.835	1.150	22.86	27.94	32.00	40.01	46.61	29.21
12/24	1.100	1.300	1.460	1.775	2.035	1.350	27.94	33.02	37.08	45.09	51.69	34.29
15/30*	1.400	1.600	1.760	2.075	2.335	1.650	35.56	40.64	44.70	52.71	59.31	41.91
17/34*	1.600	1.800	1.960	2.275	2.535	1.850	40.64	45.72	49.78	57.79	64.39	46.99
18/36	1.700	1.900	2.060	2.375	2.635	1.950	43.18	48.26	52.32	60.33	66.93	49.53
20/40*	1.900	2.100	2.260	2.575	2.835	2.150	48.26	53.34	57.40	65.41	72.01	54.61
22/44	2.100	2.300	2.460	2.775	3.035	2.350	53.34	58.42	62.48	70.49	77.09	59.69
24/48*	2.300	2.500	2.660	2.975	3.235	2.550	58.42	63.50	67.56	75.57	82.17	64.77
25/50*	2.400	2.600	2.760	3.075	3.335	2.650	60.96	66.04	70.10	78.11	84.71	67.31
28/56*	2.700	2.900	3.060	3.375	3.635	2.950	68.58	73.66	77.72	85.73	92.33	74.93
30/60	2.900	3.100	3.260	3.575	3.835	3.150	73.66	78.74	82.80	90.81	97.41	80.01
31/62*	3.000	3.200	3.360	3.675	3.935	3.250	76.20	81.28	85.34	93.35	99.95	82.55
35/70	3.400	3.600	3.760	4.075	4.335	3.650	86.36	91.44	95.50	103.51	110.11	92.71
36/72	3.500	3.700	3.860	4.175	4.435	3.750	88.90	93.98	98.04	106.05	112.65	95.25
40/80*	3.900	4.100	4.260	4.575	4.835	4.150	99.06	104.14	108.20	116.21	122.81	105.41
43/86*	4.200	4.400	4.560	4.875	5.135	4.450	106.68	111.76	115.82	123.83	130.43	113.03
44/88*	4.300	4.500	4.660	4.975	5.235	4.550	109.22	114.30	118.36	126.37	132.97	115.57
49/98*	4.800	5.000	5.160	5.475	5.735	5.050	121.92	127.00	131.06	139.07	145.67	128.27
50/100	4.900	5.100	5.260	5.575	5.835	5.150	124.46	129.54	133.60	141.61	148.21	130.81
55/110	5.400	5.600	5.760	6.075	6.335	5.650	137.16	142.24	146.30	154.31	160.91	143.51
60/120	5.900	6.100	6.260	6.575	6.835	6.150	149.86	154.94	159.00	167.01	173.61	156.21
61/122	6.000	6.200	6.360	6.675	6.935	6.250	152.40	157.48	161.54	169.55	176.15	158.75
65/130*	6.400	6.600	6.760	7.075	7.335	6.650	162.56	167.64	171.70	179.71	186.31	168.91
70/140	6.900	7.100	7.260	7.575	7.835	7.150	175.26	180.34	184.40	192.41	199.01	181.61

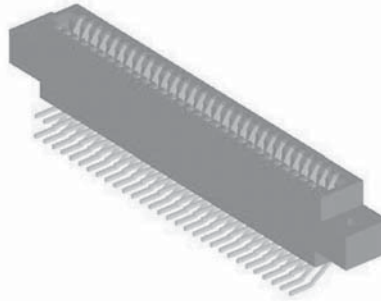
* Consult factory for availability.



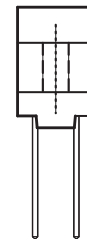
.100" [2.54mm] Contact Centers, .610" Profile, .400" Wide Body for .062" or .093" Mating PCB, Dip Solder/Wire Wrap/Right Angle/Card Extender

SPECIFICATIONS

- Accommodates .062" ± .008 [1.57 ± .20] or .093" ± .008" [2.36 ± .20] PC board
- PPS, PBT or PA9T insulator
- 3 amp current rating per contact
- 30 milli ohm maximum at rated current



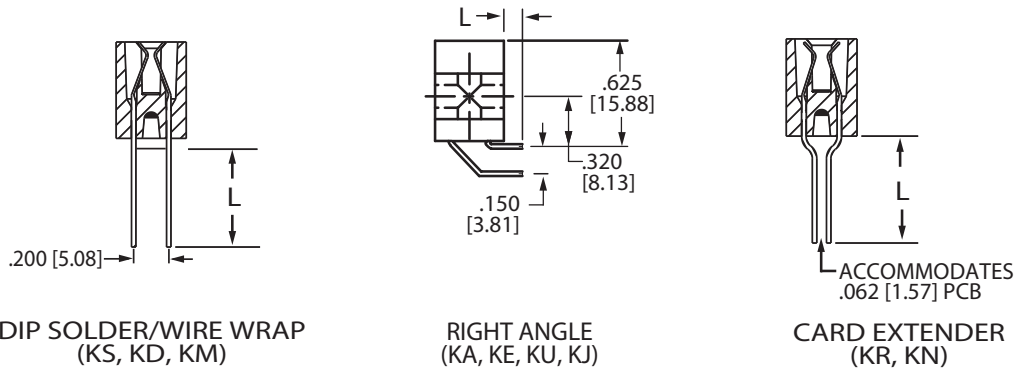
READOUT



DUAL (D)

Sullins Edgecards

TERMINATION TYPE



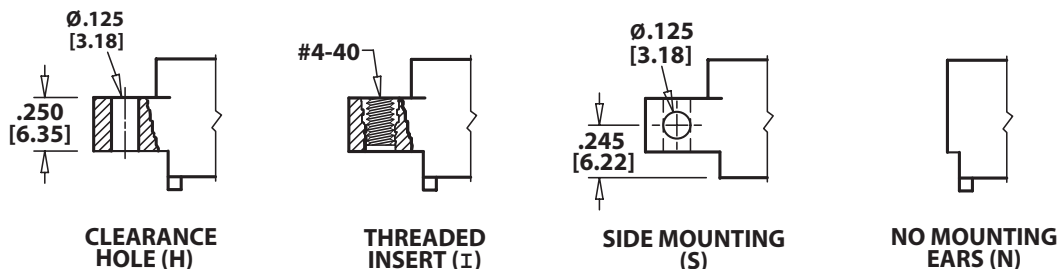
DIP SOLDER/WIRE WRAP (KS, KD, KM)

RIGHT ANGLE (KA, KE, KU, KJ)

CARD EXTENDER (KR, KN)

TERMINATION	TERMINATION TYPE	POST LENGTH L ±.025 [.64]	FITS MIN. HOLE SIZE	STANDOFF
KD	DIP SOLDER	.160 [4.06]	.043 [1.09]	YES
KS	DIP SOLDER	.190 [4.83]	.040 [1.02]	YES
KM	WIRE WRAP	.560 [14.22]	.040 [1.02]	YES
KA	RIGHT ANGLE	.100 [2.54]	.043 [1.09]	NO
KE	RIGHT ANGLE	.180 [4.57]	.043 [1.09]	NO
KU	RIGHT ANGLE	.250 [6.35]	.043 [1.09]	NO
KJ	RIGHT ANGLE	.500 [12.70]	.043 [1.09]	NO
KR	CARD EXTENDER	.235 [5.97]	N/A	NO
KN	CARD EXTENDER	.605 [15.37]	N/A	NO

MOUNTING STYLE



CLEARANCE HOLE (H)

THREADED INSERT (I)

SIDE MOUNTING (S)

NO MOUNTING EARS (N)



.100" [2.54mm] Contact Centers, .610" Profile, .400" Wide Body for .062" or .093" Mating PCB, Dip Solder/Wire Wrap/Right Angle/Card Extender

PART NUMBER CODING

A B C 30 D KE H - S1191

MATERIALS (Insulator /Contact)
 E = PBT/Phosphor Bronze
 R = PPS/Phosphor Bronze
 G = PA9T/Phosphor Bronze
 H = PBT/Beryllium Copper
 A = PPS/Beryllium Copper
 J = PA9T/Beryllium Copper
 (Consult Factory for Other Materials)

CONTACT FINISH - RoHS Compliant
All platings are Lead Free and have .000050" Nickel underplate
Contact Surface Termination
 B = .000010" Gold .000100" Pure Tin, Matte
 C = .000030" Gold .000100" Pure Tin, Matte
 Y = .000030" Gold .000005" Gold

CONTACT CENTERS
 C = .100" [2.54mm]

MODIFICATION CODE (Consult Factory)
-S1243 = For .062" ± .008 [1.57" ± .20] PCB
-S1191 = For .093" ± .008 [2.36 ± .20] PCB

MOUNTING STYLE (Opposite Page)
 H = Clearance Holes
 I = Threaded Inserts
 S = Side Mounting
 N = No Mounting

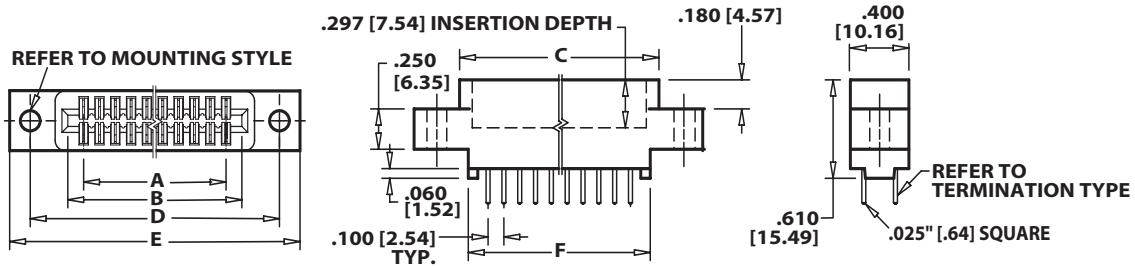
TERMINATION TYPE (Opposite Page)
 KD, KS = .025" [.64] Square Dip Solder
 KM = .025" [.64] Square Wire Wrap
 KA, KE, KU, KJ = .025" [.64mm] Square Right Angle
 KN, KR = .025" [.64mm] Square Card Extender

READOUT (Opposite Page)
 D = Dual

NUMBER OF CONTACT POSITIONS
 See Chart Below

DIMENSIONS

Dimensions in [] are in millimeters, all others are in inches.

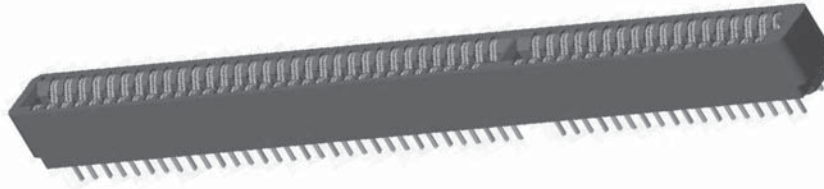


Tolerances with PPS Insulator Material may vary slightly due to shrinkage differential; Consult Factory.

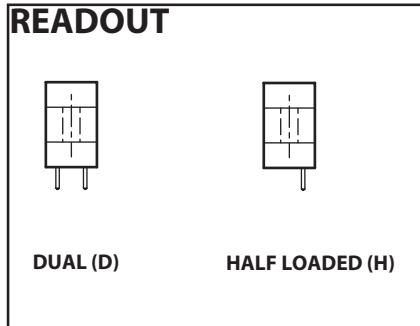
POSITIONS/ CONTACTS	INCHES						[MILLIMETERS]					
	A±.008	B±.012	C±.015	D±.010	E±.020	F±.015	A±0.20	B±0.30	C±0.38	D±0.25	E±0.51	F±0.38
06/12	0.500	0.700	0.860	1.175	1.435	0.742	12.70	17.78	21.84	29.85	36.45	18.85
07/14	0.600	0.800	0.960	1.275	1.535	0.842	15.24	20.32	24.38	32.39	38.99	21.39
08/16	0.700	0.900	1.060	1.375	1.635	0.942	17.78	22.86	26.92	34.93	41.53	23.93
10/20	0.900	1.100	1.260	1.575	1.835	1.142	22.86	27.94	32.00	40.01	46.61	29.01
12/24	1.100	1.300	1.460	1.775	2.035	1.342	27.94	33.02	37.08	45.09	51.69	34.09
13/26	1.200	1.400	1.560	1.875	2.135	1.442	30.48	35.56	39.62	47.63	54.23	36.63
15/30	1.400	1.600	1.760	2.075	2.335	1.642	35.56	40.64	44.70	52.71	59.31	41.71
17/34	1.600	1.800	1.960	2.275	2.535	1.842	40.64	45.72	49.78	57.79	64.39	46.79
18/36	1.700	1.900	2.060	2.375	2.635	1.942	43.18	48.26	52.32	60.33	66.93	49.33
20/40	1.900	2.100	2.260	2.575	2.835	2.142	48.26	53.34	57.40	65.41	72.01	54.41
22/44	2.100	2.300	2.460	2.775	3.035	2.342	53.34	58.42	62.48	70.49	77.09	59.49
24/48	2.300	2.500	2.660	2.975	3.235	2.542	58.42	63.50	67.56	75.57	82.17	64.57
25/50	2.400	2.600	2.760	3.075	3.335	2.642	60.96	66.04	70.10	78.11	84.71	67.11
28/56	2.700	2.900	3.060	3.375	3.635	2.942	68.58	73.66	77.72	85.73	92.33	74.73
30/60	2.900	3.100	3.260	3.575	3.835	3.142	73.66	78.74	82.80	90.81	97.41	79.81
31/62	3.000	3.200	3.360	3.675	3.935	3.242	76.20	81.28	85.34	93.35	99.95	82.35
35/70	3.400	3.600	3.760	4.075	4.335	3.642	86.36	91.44	95.50	103.51	110.11	92.51
36/72	3.500	3.700	3.860	4.175	4.435	3.742	88.90	93.98	98.04	106.05	112.65	95.05
40/80	3.900	4.100	4.260	4.575	4.835	4.142	99.06	104.14	108.20	116.21	122.81	105.21
43/86	4.200	4.400	4.560	4.875	5.135	4.442	106.68	111.76	115.82	123.83	130.43	112.83
44/88	4.300	4.500	4.660	4.975	5.235	4.542	109.22	114.30	118.36	126.37	132.97	115.37
49/98	4.800	5.000	5.160	5.475	5.735	5.042	121.92	127.00	131.06	139.07	145.67	128.07
50/100	4.900	5.100	5.260	5.575	5.835	5.142	124.46	129.54	133.60	141.61	148.21	130.61
55/110	5.400	5.600	5.760	6.075	6.335	5.642	137.16	142.24	146.30	154.31	160.91	143.31
60/120	5.900	6.100	6.260	6.575	6.835	6.142	149.86	154.94	159.00	167.01	173.61	156.01
61/122	6.000	6.200	6.360	6.675	6.935	6.242	152.40	157.48	161.54	169.55	176.15	158.55
65/130	6.400	6.600	6.760	7.075	7.335	6.642	162.56	167.64	171.70	179.71	186.31	168.71
70/140	6.900	7.100	7.260	7.575	7.835	7.142	175.26	180.34	184.40	192.41	199.01	181.41



**.100" [2.54mm] Contact Centers, .610" Insulator Height,
[ISA] Dip Solder/Wire Wrap/Right Angle**

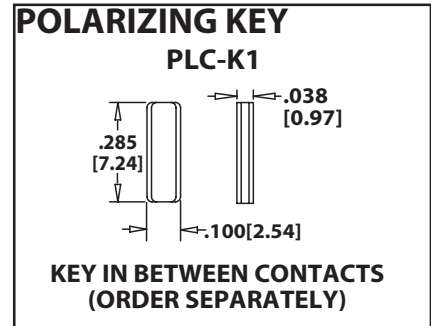


Sullins Edgecards



SPECIFICATIONS

- Accommodates .062" ± .008" [1.57 ± .20] PC board
- PBT or PA9T insulator
- Molded-in key available
- 3 amp current rating per contact
- 30 milli ohm maximum at rated current



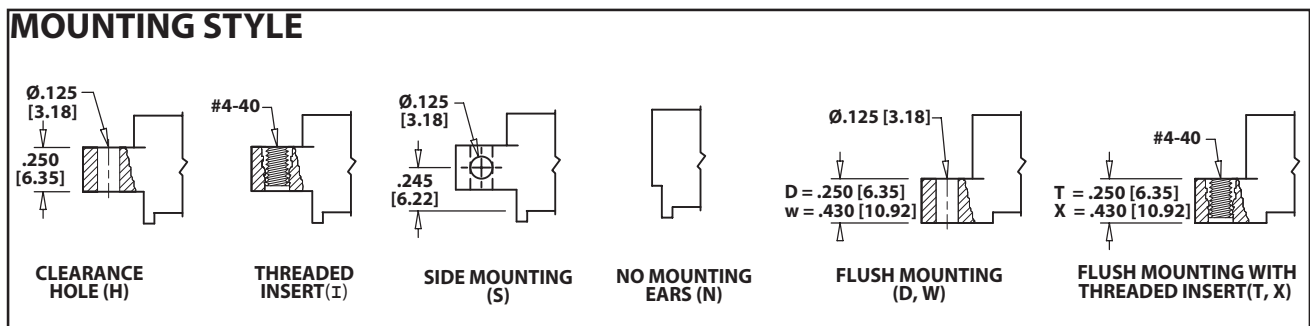
TERMINATION TYPE

HAIRPIN BELLOWS
(CS, CM, CW, CT)

LOOP BELLOWS
(TK, RS, RM)

RIGHT ANGLE, DIP SOLDER
(CA, CB, CC, TA, TB, TM)
-S605 MODIFICATION

HAIRPIN BELLOWS	LOOP	TERMINATION TYPE	POST CROSS SECTION K	POST LENGTH L .025 [.64]	FITS MIN. HOLE SIZE
CM	TK, CK	DIP SOLDER	.026 [.66] ROUND	.190 [4.83]	.030 [0.76]
	RS	DIP SOLDER	.025 [.64] SQUARE	.190 [4.83]	.040 [1.02]
	RM	WIRE WRAP	.025 [.64] SQUARE	.560 [14.20]	.040 [1.02]
CA	TA	RIGHT ANGLE	.025 [.64] SQUARE	.100 [2.54]	.043 [1.09]
CB	TB	RIGHT ANGLE	.025 [.64] SQUARE	.180 [4.57]	.043 [1.09]
CC	TM	RIGHT ANGLE	.025 [.64] SQUARE	.250 [6.35]	.043 [1.09]
CW		DIP SOLDER	.015 X .025 [.38 X .64]	.125 [3.18]	.035 [0.76]
CT		DIP SOLDER	.015 X .025 [.38 X .64]	.170 [4.32]	.035 [0.76]
CS		DIP SOLDER	.025 [.64] SQUARE	.160 [4.06]	.040 [1.02]





.100" [2.54mm] Contact Centers, .610" Insulator Height, [ISA] Dip Solder/Wire Wrap/Right Angle

Sullins Edgecards

PART NUMBER CODING

E B C 49 D CW N - S420

MATERIALS (Insulator/Contact)
 E = PBT/Phosphor Bronze (Standard)
 G = PA9T/Phosphor Bronze
 H = PBT/Beryllium Copper
 J = PA9T/Beryllium Copper
 (Consult Factory for Other Materials)

CONTACT FINISH - RoHS Compliant
 All platings are Lead Free and have .000050" Nickel underplate

	Contact Surface	Termination
B =	.000010" Gold	.000100" Pure Tin, Matte
C =	.000030" Gold	.000100" Pure Tin, Matte
G =	.000010" Gold	.000005" Gold
Y =	.000030" Gold	.000005" Gold

	Contact Surface	Overall Plating
S =	.000010" Gold	.000010" Gold
M =	.000030" Gold	.000010" Gold
E =	.000100" Pure Tin, Matte	.000100" Pure Tin, Matte

CONTACT CENTERS
 C = .100" [2.54mm]

NUMBER OF CONTACT POSITIONS
 18, 31 or 49 (18/31)

READOUT (Opposite page)
 D = Dual
 H = Half Loaded

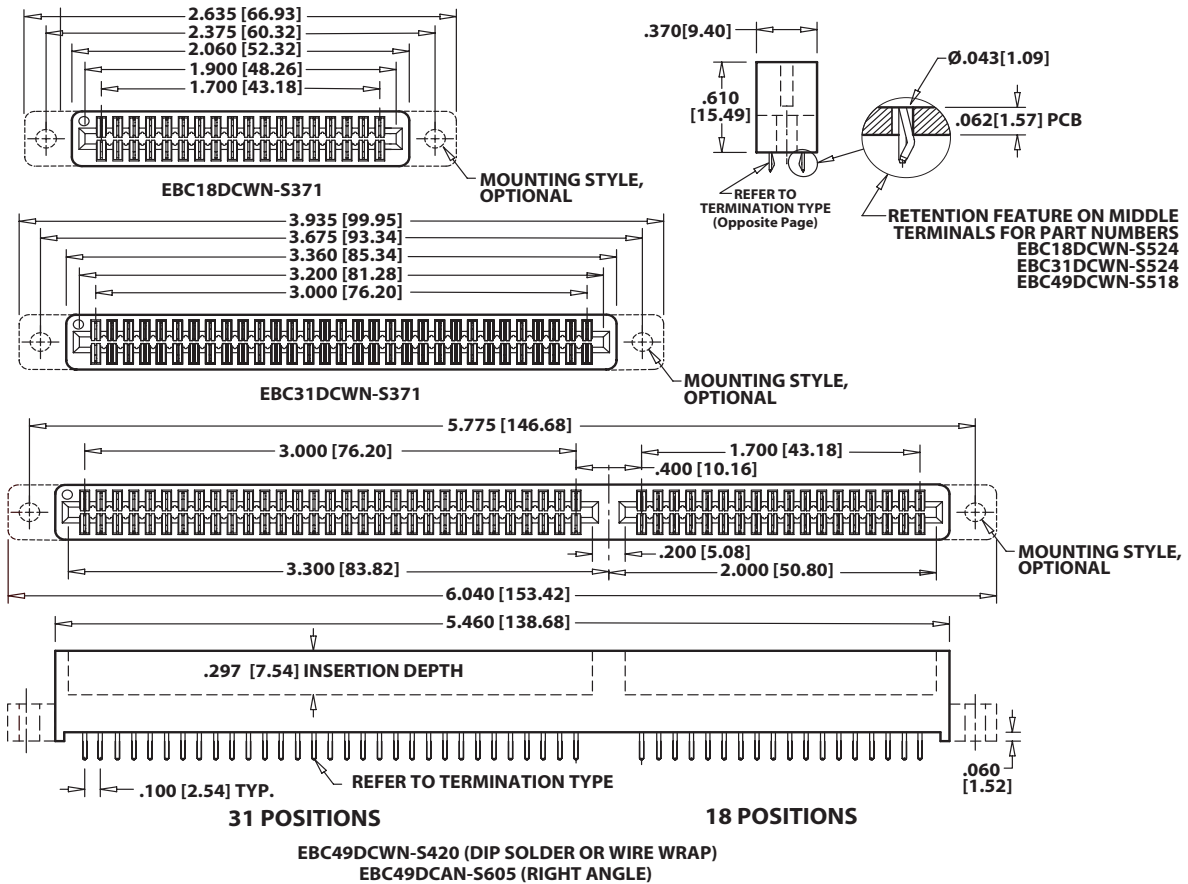
MODIFICATION CODE (Consult Factory)
ISA WITH RETENTION FEATURE
 -S524 = 18 Positions
 -S524 = 31 Positions
 -S518 = 49 Positions (31/18)
ISA WITHOUT RETENTION FEATURE
 -S371 = 18 Positions
 -S371 = 31 Positions
 -S420 = 49 Positions (31/18) Dip Solder or Wire Wrap
 -S605 = 49 Positions (31/18) Right Angle

MOUNTING STYLE (Opposite Page)
 H = Clearance Holes
 I = Threaded Inserts
 S = Side Mounting
 N = No Mounting
 D,W = Flush Mounting
 T,X = Flush Mounting With Threaded Inserts

TERMINATION TYPE (Opposite Page)
Hairpin Bellows *
 CS = .025" [0.64mm] Square Dip Solder
 CM = .025" [0.64mm] Square Wire Wrap
 CA, CB, CC = .025" [0.64mm] Square Right Angle
 CW, CT = .015" [0.38mm] x .025" [0.64mm] Dip Solder
Loop Bellows
 RS = .025" [0.64mm] Square Dip Solder
 TK = .026" [0.66mm] Round Dip Solder
 RM = .025" [0.64mm] Square Wire Wrap
 TA, TB, TM = .025" [0.64mm] Square Right Angle
 * Available in B or C Plating and Phosphor Bronze only

DIMENSIONS

Dimensions in [] are in millimeters, all others are in inches.

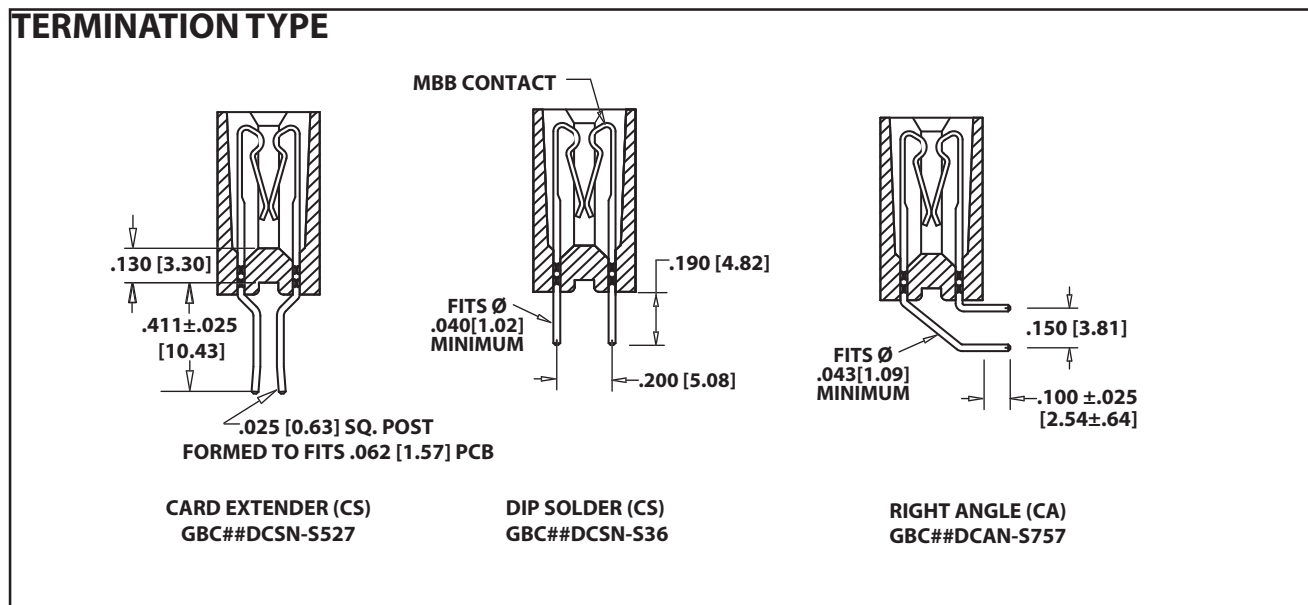
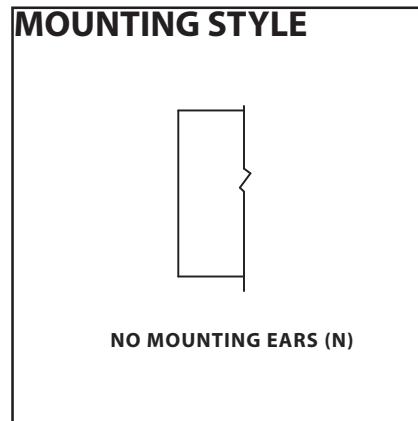
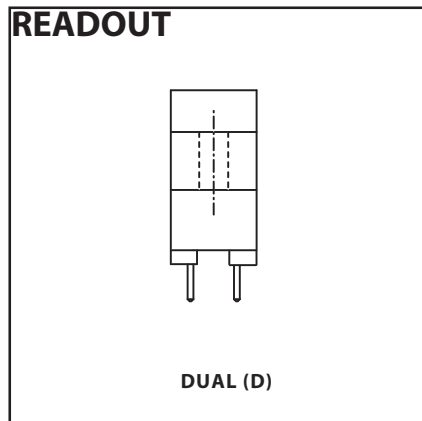
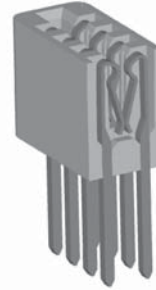




**.100" [2.54mm] Contact Centers, .690" Insulator Height
Make Before Break Dip Solder/Card Extender/Right Angle**

SPECIFICATIONS

- Accommodates $.062" \pm .008"$ [1.57 ± .20] PC board
- PA9T insulator
- Molded-in key available
- 3 amp current rating per contact
- 30 milli ohm maximum at rated current





**.100" [2.54mm] Contact Centers, .690" Insulator Height
Make Before Break Dip Solder/Card Extender/Right Angle**

Sullins Edgecards

PART NUMBER CODING

G B C 10 D CS N - S36

MATERIALS (INSULATOR/CONTACT)
G = PA9T/Phosphor Bronze
(Consult Factory for Other Materials)

CONTACT FINISH - RoHS Compliant
All platings are Lead Free and have .000050" Nickel underplate Contact Surface Termination
B = .000010" Gold .000100" Pure Tin, Matte
C = .000030" Gold .000100" Pure Tin, Matte

CONTACT CENTERS
C = .100" [2.54mm]

NUMBER OF CONTACT POSITIONS
See Chart Below

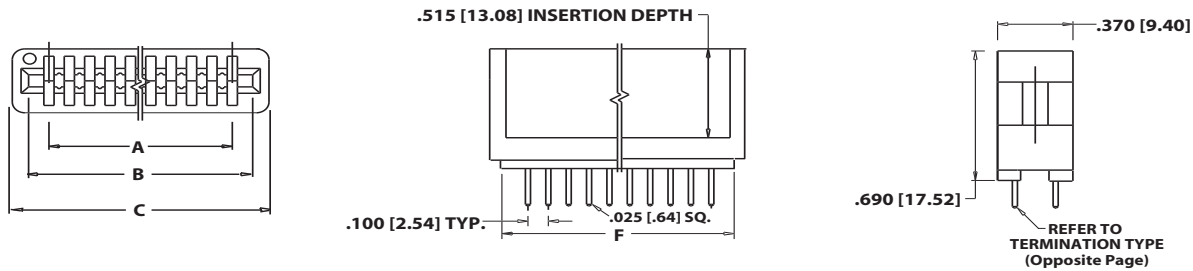
MODIFICATION CODE (Consult Factory)
-S757 = MBB, .150" [3.81mm] Row to Row on Right Angle
-S527 = MBB, Card Extender Accepts .062" [1.57] PCB
-S36 = MBB, Straight Dip-Solder

MOUNTING STYLE
N = No Mounting

TERMINATION TYPE (Opposite Page)
Hairpin Bellows
CS = Dip Solder .025" [.64] Square
CA = Right Angle, .100" [2.54]

READOUT (Opposite Page)
D = Dual

DIMENSIONS Dimensions in [] are in millimeters, all others are in inches.



POSITIONS/ CONTACTS	INCHES				[MILLIMETERS]			
	A±.008	B±.008	C±.015	F±.015	A±0.20	B±0.20	C±0.38	F±0.38
02/04*	0.100	0.300	0.460	0.350	2.54	7.62	11.68	8.89
04/08*	0.300	0.500	0.660	0.550	7.62	12.70	16.76	13.97
06/12*	0.500	0.700	0.860	0.750	12.70	17.78	21.84	19.05
08/16*	0.700	0.900	1.060	0.950	17.78	22.86	26.92	24.13
10/20*	0.900	1.100	1.260	1.150	22.86	27.94	32.00	29.21
12/24	1.100	1.300	1.460	1.350	27.94	33.02	37.08	34.29
14/28	1.300	1.500	1.660	1.550	33.02	38.10	42.16	39.37
16/32*	1.500	1.700	1.860	1.750	38.10	43.18	47.24	44.45
18/36*	1.700	1.900	2.060	1.950	43.18	48.26	52.32	49.53
20/40*	1.900	2.100	2.260	2.150	48.26	53.34	57.40	54.61
22/44*	2.100	2.300	2.460	2.350	53.34	58.42	62.48	59.69
24/48*	2.300	2.500	2.660	2.550	58.42	63.50	67.56	64.77
26/52*	2.500	2.700	2.860	2.750	63.50	68.58	72.64	69.85
28/56*	2.700	2.900	3.060	2.950	68.58	73.66	77.72	74.93
30/60*	2.900	3.100	3.260	3.150	73.66	78.74	82.80	80.01
32/64*	3.100	3.300	3.460	3.350	78.74	83.82	87.88	85.09
34/68*	3.300	3.500	3.660	3.550	83.82	88.90	92.96	90.17
36/72*	3.500	3.700	3.860	3.750	88.90	93.98	98.04	95.25
38/76*	3.700	3.900	4.060	3.950	93.98	99.06	103.12	100.33
40/80*	3.900	4.100	4.260	4.150	99.06	104.14	108.20	105.41
42/84*	4.100	4.300	4.460	4.350	104.14	109.22	113.28	110.49
44/88*	4.300	4.500	4.660	4.550	109.22	114.30	118.36	115.57
46/92*	4.500	4.700	4.860	4.750	114.30	119.38	123.44	120.65
48/96*	4.700	4.900	5.060	4.950	119.38	124.46	128.52	125.73
50/100	4.900	5.100	5.260	5.150	124.46	129.54	133.60	130.81

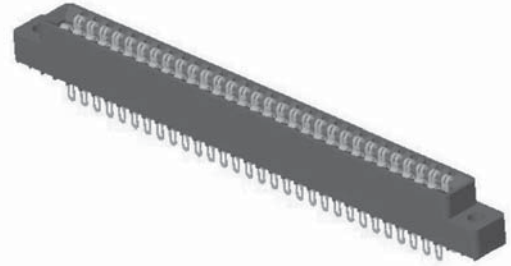
* Consult factory for availability.



.125" [3.18mm] Contact Centers, .431" Insulator Height
Dip Solder/Eyelet/Right Angle for .062" [1.57] or .031" [0.79] Mating PCB

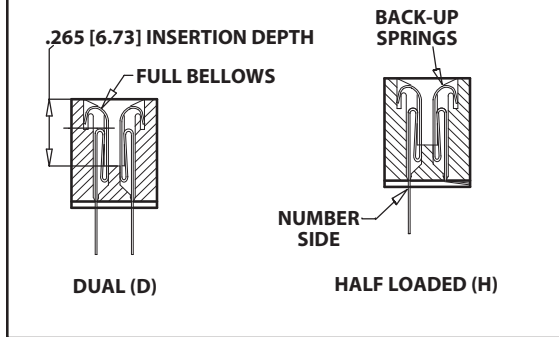
SPECIFICATIONS

- Accommodates .062" ± .008" [1.57 ± .20] PC board (Consult factory for .031" ± .008" [.79 ± .20], .093" ± .008" [2.36 ± .20] and .125" ± .008" [3.18 ± .20] boards)
- Molded-in key available
- 3 amp current rating per contact
- 30 milli ohm maximum at rated current

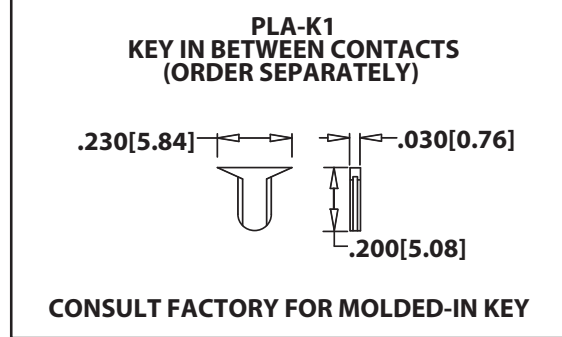


Sullins Edgecards

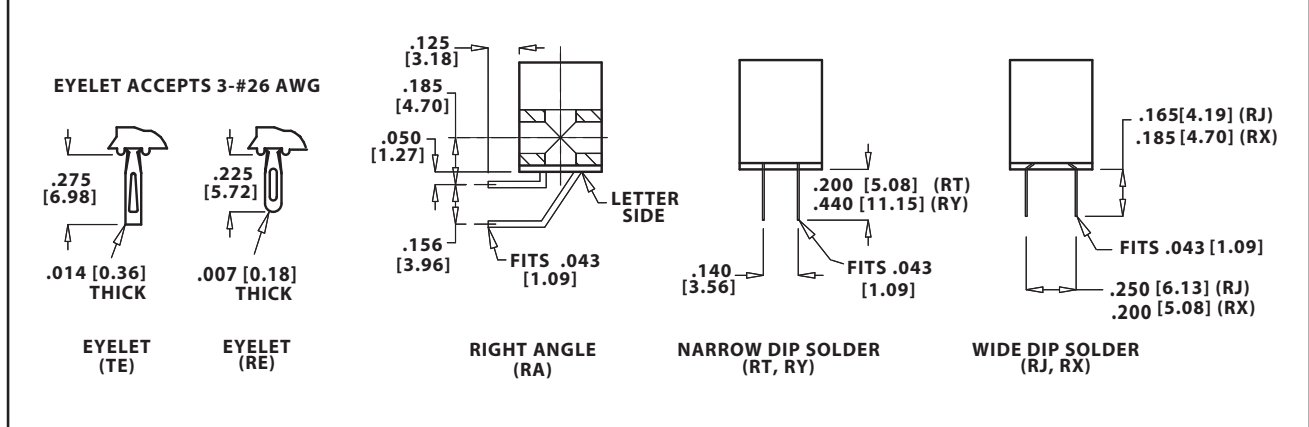
READOUT



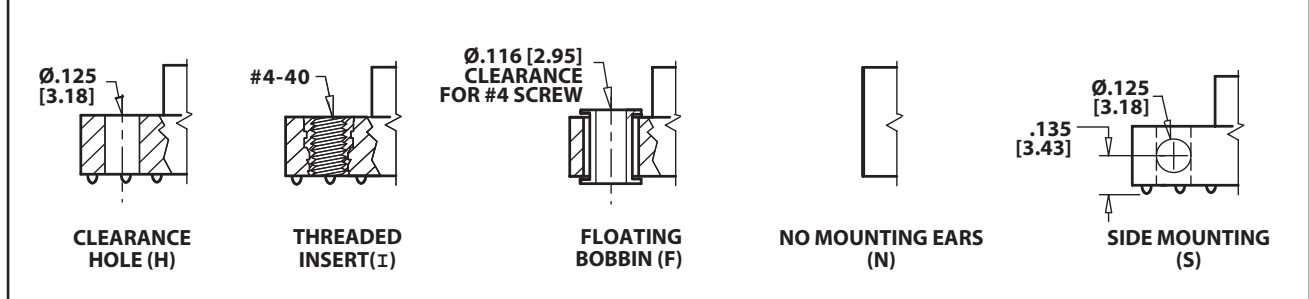
POLARIZING KEY



TERMINATION TYPE



MOUNTING STYLE





.125" [3.18mm] Contact Centers, .431" Insulator Height
Dip Solder/Eyelet/Right Angle for .062" [1.57] or .031" [0.79] Mating PCB

Sullins Edgecards

PART NUMBER CODING

E B A 43 D R E H - Sxxx

MATERIALS (Insulator/Contact)

- E = PBT/Phosphor Bronze (Standard)
- R = PPS/Phosphor Bronze
- G = PA9T/Phosphor bronze
- H = PBT/Beryllium Copper
- A = PPS/Beryllium Copper
- J = PA9T/Beryllium Copper
- *F = PPS/Spinodal (Overall Gold Plating Only)
Consult Factory for Special Soldering Guidelines
- *C = PPS/Beryllium Nickel (Overall Gold Plating Only)
- *W = PEEK/Beryllium Nickel (Overall Gold Plating Only)
*Consult Factory for availability.

CONTACT FINISH - RoHS Compliant
All platings are Lead Free and have .000050" Nickel underplate

Contact Surface	Termination
B = .000010" Gold	.000100" Pure Tin, Matte
C = .000030" Gold	.000100" Pure Tin, Matte
G = .000010" Gold	.000005" Gold
Y = .000030" Gold	.000005" Gold
Contact Surface	Overall Plating
S = .000010" Gold	.000010" Gold
M = .000030" Gold	.000010" Gold
E = .000100" Pure Tin, Matte	.000100" Pure Tin, Matte

CONTACT CENTERS
A = .125" [3.18mm]

MODIFICATION CODE (Consult Factory)
OMIT FOR STANDARD

- S13 = Card Extender Accepts .062" [1.57] PCB (RT, RE, RY Terminations Only)
- S734 = .031" ± .008" [1.79 ± .20] Thick PCB

MOUNTING STYLE (Opposite Page)

- H = .125" [3.18mm] Clearance Holes
- N = No Mounting
- S = Side Mounting
- I = Threaded Insert
- F = Floating Bobbin

TERMINATION TYPE (Opposite Page)

- RA = Right Angle
- RE = Eyelet (Standard)
- TE = Eyelet (Overall Plated Only)
- RT = .140" [3.56mm] x .200" [5.08mm] Dip Solder
- RY = .140" [3.56mm] x .440" [11.18mm] Dip Solder
- RX = .200" [5.08mm] x .185" [4.70mm] Dip Solder
- RJ = .250" [6.35mm] x .165" [4.19mm] Dip Solder

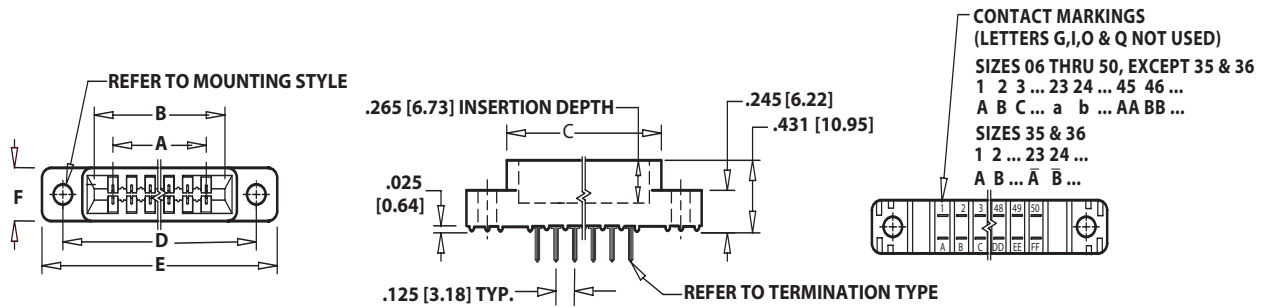
READOUT (Opposite Page)

- D = Dual
- H = Half Loaded

NUMBER OF CONTACT POSITIONS
See Chart Below

DIMENSIONS

Dimensions in [] are in millimeters, all others are in inches.



Tolerances with PPS Insulator Material may vary slightly due to shrinkage differential: Consult Factory.

Positions/ Contacts	INCHES						[MILLIMETERS]					
	A±.008	B±.008	C±.015	D±.010	E±.020	F±.005	A±0.20	B±0.20	C±0.38	D±0.25	E±0.51	F±0.13
06/12	0.625	0.875	1.035	1.295	1.575	0.330	15.88	22.23	26.29	32.89	40.01	8.38
10/20	1.125	1.375	1.535	1.795	2.075		28.58	34.93	38.99	45.59	52.71	
14/28	1.625	1.875	2.035	2.295	2.575		41.28	47.63	51.69	58.29	65.41	
15/30	1.750	2.000	2.160	2.420	2.700		44.45	50.80	54.86	61.47	68.58	
18/36	2.125	2.375	2.535	2.795	3.075		53.98	60.33	64.39	70.99	78.11	
22/44	2.625	2.875	3.035	3.295	3.575		66.68	73.03	77.09	83.69	90.81	
28/56	3.375	3.625	3.785	4.045	4.325		85.73	92.08	96.14	102.74	109.86	
30/60	3.625	3.875	4.035	4.295	4.575		92.08	98.43	102.49	109.09	116.21	
31/62	3.750	4.000	4.160	4.420	4.700		95.25	101.60	105.66	112.27	119.38	
35/70	4.250	4.500	4.660	4.920	5.200		107.95	114.30	118.36	124.97	132.08	
36/72	4.375	4.625	4.785	5.045	5.325	111.13	117.48	121.54	128.14	135.26		
37/74	4.500	4.750	4.910	5.170	5.450	114.30	120.65	124.71	131.32	138.43		
40/80	4.875	5.125	5.285	5.545	5.825	0.370	123.83	130.18	134.24	140.84	147.96	9.40
43/86	5.250	5.500	5.660	5.920	6.200		133.35	139.70	143.76	150.37	157.48	
44/88	5.375	5.625	5.785	6.045	6.325		136.53	142.88	146.94	153.54	160.66	
49/98	6.000	6.250	6.410	6.670	6.950		152.40	158.75	162.81	169.42	176.53	
50/100	6.125	6.375	6.535	6.795	7.075		155.58	161.93	165.99	172.59	179.71	

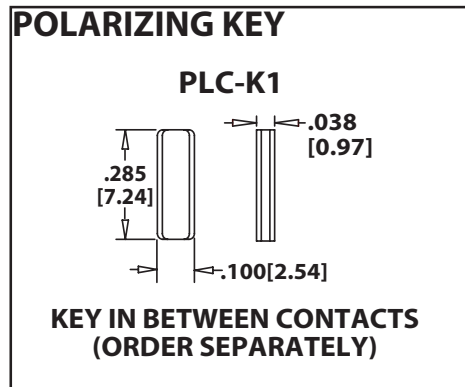
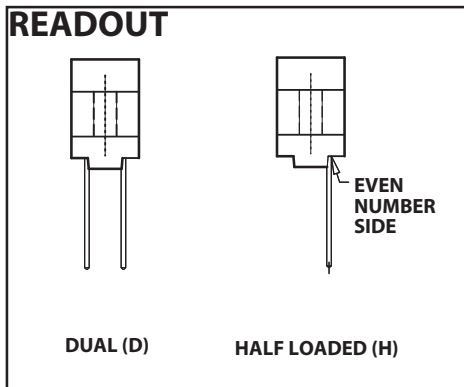
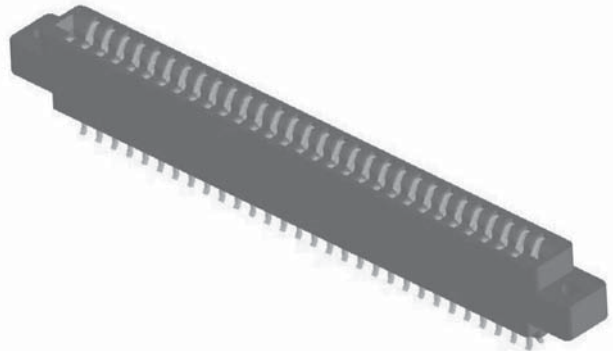


**.125" [3.18mm] Contact Centers, .610" Insulator Height
Dip Solder/Wire Wrap/Right Angle**

Sullins Edgecards

SPECIFICATIONS

- Accommodates .062" ± .008" [1.57 ± .20] PC board (Consult factory for .031" ± .008" [.79 ± .20], See page 52/53 for .093" ± .008" [2.36 ± .20] and .125" ± .008" [3.18 ± .20] PC boards)
- PBT, PPS or PA9T insulator
- Molded-in key available
- 3 amp current rating per contact
- 30 milli ohm maximum at rated current
- Consult Factory for (MBS) Contacts



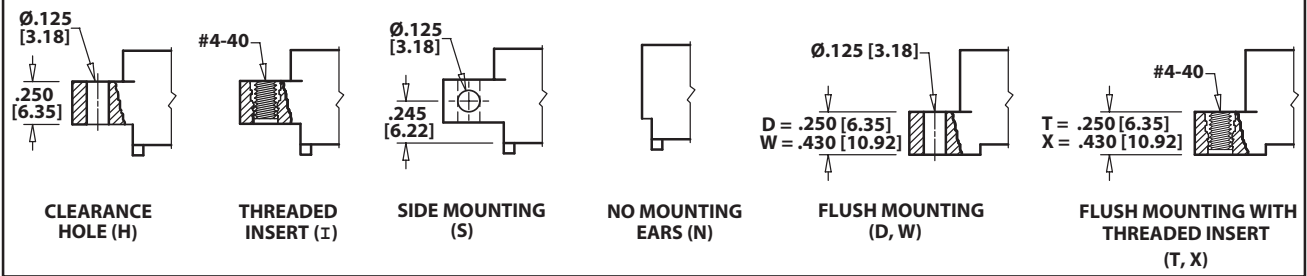
TERMINATION TYPE

HAIRPIN BELLOWS LOOP BELLOWS RIGHT ANGLE, DIP SOLDER

HAIRPIN BELLOWS (CK,CS,CM,CW,CT) LOOP BELLOWS (TK,RS,RM,CK) RIGHT ANGLE, DIP SOLDER (CA,CB,CC,TA,TB,TM)

HAIRPIN BELLOWS	LOOP	TERMINATION TYPE	POST CROSS SECTION K	POST LENGTH L .025 [.64]	FITS MIN. HOLE SIZE
	TK, CK	DIP SOLDER	.026 [.66] ROUND	.190 [4.83]	.030 [0.76]
	RS	DIP SOLDER	.025 [.64] SQUARE	.190 [4.83]	.040 [1.02]
CM	RM	WIRE WRAP	.025 [.64] SQUARE	.560 [14.20]	.040 [1.02]
CA	TA	RIGHT ANGLE	.025 [.64] SQUARE	.100 [2.54]	.043 [1.09]
CB	TB	RIGHT ANGLE	.025 [.64] SQUARE	.180 [4.57]	.043 [1.09]
CC	TM	RIGHT ANGLE	.025 [.64] SQUARE	.250 [6.35]	.043 [1.09]
CW		DIP SOLDER	.015 X .025 [.38 X .64]	.125 [3.18]	.035 [0.76]
CT		DIP SOLDER	.015 X .025 [.38 X .64]	.170 [4.32]	.035 [0.76]
CS		DIP SOLDER	.025 [.64] SQUARE	.160 [4.06]	.040 [1.02]

MOUNTING STYLE



Downloaded from Elcodis.com electronic components distributor



**.125" [3.18mm] Contact Centers, .610" Insulator Height
Dip Solder/Wire Wrap/Right Angle**

Sullins Edgecards

PART NUMBER CODING

E B A 50 D CM H - Sxxx

MATERIALS (Insulator/Contact)
 E = PBT/Phosphor Bronze (Standard)
 R = PPS/Phosphor Bronze
 G = PA9T/Phosphor Bronze
 A = PPS/Beryllium Copper
 J = PA9T/Beryllium Copper
 (Consult Factory for Other Materials)

CONTACT FINISH - RoHS Compliant
 All platings are Lead Free and have .000050" Nickel underplate

Contact Surface	Termination
B = .000010" Gold	.000100" Pure Tin, Matte
C = .000030" Gold	.000100" Pure Tin, Matte
G = .000010" Gold	.000005" Gold
Y = .000030" Gold	.000005" Gold
Contact Surface	Overall Plating
S = .000010" Gold	.000010" Gold
M = .000030" Gold	.000010" Gold
E = .000100" Pure Tin, Matte	.000100" Pure Tin, Matte

CONTACT CENTERS
 A = .125" [3.18mm]

NUMBER OF CONTACT POSITIONS
 See Chart Below

READOUT (Opposite Page)
 D = Dual
 H = Half Loaded

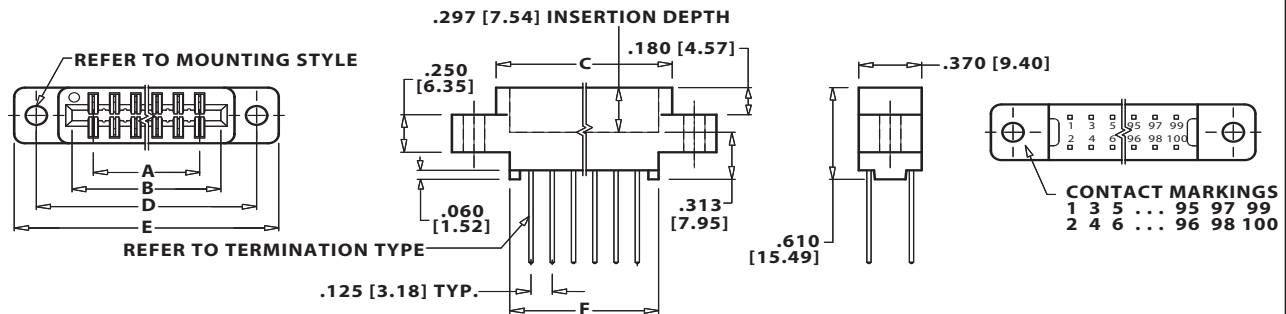
MODIFICATION CODE (Consult Factory)
 OMIT FOR STANDARD
 -S288 = Card Extender Accepts .062" [1.57] PCB

MOUNTING STYLE (Opposite Page)
 H = Clearance Holes
 I = Threaded Inserts
 S = Side Mounting
 N = No Mounting
 W = Flush Mounting
 D = Flush Mounting
 X = Flush Mounting with Threaded Inserts
 T = Flush Mounting with Threaded Inserts

TERMINATION TYPE (Opposite Page)
Hairpin Bellows **
 CS = .025" [0.64mm] Square Dip Solder
 CM = .025" [0.64mm] Square Wire Wrap
 CA, CB, CC = .025" [0.64mm] Square Right Angle
 CW, CT = .015" x .025" Dip Solder
Loop Bellows
 RS = .025" [0.64mm] Square Dip Solder
 CK, TK = .026" [0.66mm] Round Dip Solder
 RM = .025" [0.64mm] Square Wire Wrap
 TA, TB, TM = .025" [0.64mm] Square Right Angle
****Available with B or C Plating and Phosphor Bronze Only**

DIMENSIONS

Dimensions in [] are in millimeters, all others are in inches.



Tolerances with PPS Insulator Material may vary slightly due to shrinkage differential: Consult Factory.

POSITIONS/ CONTACTS	INCHES						[MILLIMETERS]					
	A±.008	B±.008	C±.015	D±.010	E±.020	F±.015	A±0.20	B±0.20	C±0.38	D±0.25	E±0.51	F±0.38
06/12	0.625	0.875	1.035	1.295	1.555	0.875	15.88	22.23	26.29	32.89	39.50	22.23
10/20	1.125	1.375	1.535	1.795	2.055	1.375	28.58	34.93	38.99	45.59	52.20	34.93
14/28	1.625	1.875	2.035	2.295	2.555	1.875	41.28	47.63	51.69	58.29	64.90	47.63
15/30	1.750	2.000	2.160	2.420	2.680	2.000	44.45	50.80	54.86	61.47	68.07	50.80
18/36	2.125	2.375	2.535	2.795	3.055	2.375	53.98	60.33	64.39	70.99	77.60	60.33
22/44	2.625	2.875	3.035	3.295	3.555	2.875	66.68	73.03	77.09	83.69	90.30	73.03
24/48	2.875	3.125	3.285	3.545	3.805	3.125	73.03	79.38	83.44	90.04	96.65	79.38
25/50*	3.000	3.250	3.410	3.670	3.930	3.250	76.20	82.55	86.61	93.22	99.82	82.55
28/56	3.375	3.625	3.785	4.045	4.305	3.625	85.73	92.08	96.14	102.74	109.35	92.08
30/60	3.625	3.875	4.035	4.295	4.555	3.875	92.08	98.43	102.49	109.09	115.70	98.43
31/62	3.750	4.000	4.160	4.420	4.680	4.000	95.25	101.60	105.66	112.27	118.87	101.60
32/64	3.875	4.125	4.285	4.545	4.805	4.125	98.43	104.78	108.84	115.44	122.05	104.78
35/70	4.250	4.500	4.660	4.920	5.180	4.500	107.95	114.30	118.36	124.97	131.57	114.30
36/72	4.375	4.625	4.785	5.045	5.305	4.625	111.13	117.48	121.54	128.14	134.75	117.48
40/80	4.875	5.125	5.285	5.545	5.805	5.125	123.83	130.18	134.24	140.84	147.45	130.18
43/86	5.250	5.500	5.660	5.920	6.180	5.500	133.35	139.70	143.76	150.37	156.97	139.70
44/88	5.375	5.625	5.785	6.045	6.305	5.625	136.53	142.88	146.94	153.54	160.15	142.88
49/98	6.000	6.250	6.410	6.670	6.930	6.250	152.40	158.75	162.81	169.42	176.02	158.75
50/100	6.125	6.375	6.535	6.795	7.055	6.375	155.58	161.93	165.99	172.59	179.20	161.93

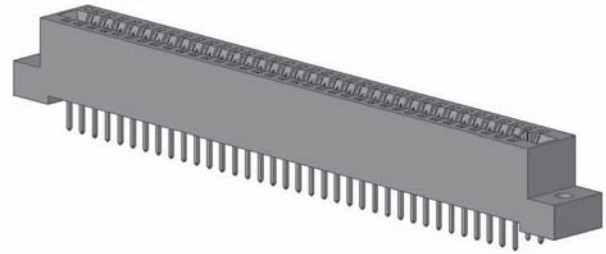
* Consult factory for availability.



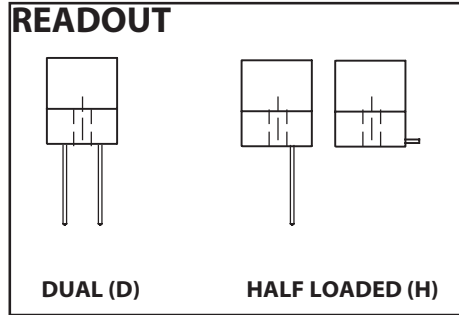
**.125" [3.18mm] Contact Centers, .610" Insulator Height,
Dip Solder/Wire Wrap/Right Angle for .093" [2.36] or .125" [3.18] Mating PCB**

SPECIFICATIONS

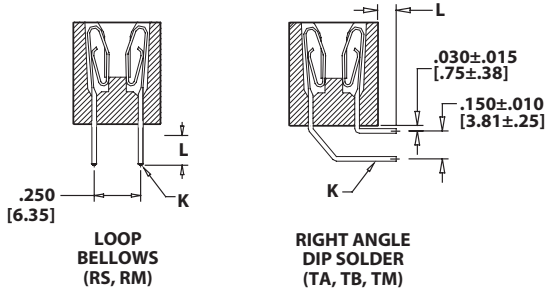
- Accommodates .093" ± .008" [2.36 ± .20] or .125" ± .008" [3.18 ± .20] mating PCB
- PBT, PPS or PA9T insulator
- Molded-in key available
- 3 amp current rating per contact
- 30 milli ohm maximum at rated current



Sullins Edgecards

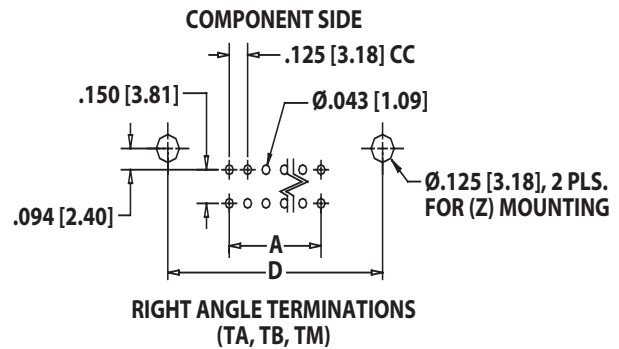
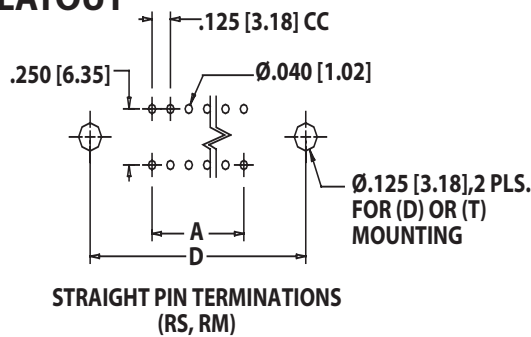


TERMINATION TYPE

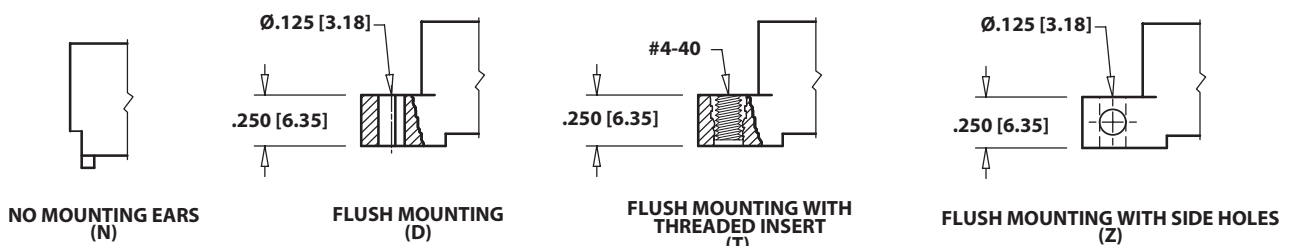


TERMINATION TYPE	POST CROSS SECTION (K)	POST LENGTH L ±.025 [0.64]	FITS MIN. HOLE SIZE
RS DIP SOLDER	.025 [0.64] SQUARE	.190 [4.83]	.040 [1.02]
RM WIRE WRAP	.025 [0.64] SQUARE	.560 [14.20]	.040 [1.02]
TA RIGHT ANGLE	.025 [0.64] SQUARE	.100 [2.54]	.043 [1.09]
TB RIGHT ANGLE	.025 [0.64] SQUARE	.180 [4.57]	.043 [1.09]
TM RIGHT ANGLE	.025 [0.64] SQUARE	.250 [6.35]	.043 [1.09]

PCB LAYOUT



MOUNTING STYLE





**.125" [3.18mm] Contact Centers, .610" Insulator Height,
Dip Solder/Wire Wrap/Right Angle for .093" [2.36] or .125" [3.18] Mating PCB**

Sullins Edgecards

PART NUMBER CODING

E B A 50 D R M D - S273

MATERIALS (Insulator/Contact)

E = PBT/Phosphor Bronze(Standard)
R = PPS/Phosphor Bronze
G = PA9T/Phosphor Bronze
(Consult Factory for Other Materials)

CONTACT FINISH - RoHS Compliant
All platings are Lead Free and have .000050" Nickel underplate

	Contact Surface	Termination
B =	.000010" Gold	.000100" Pure Tin, Matte
C =	.000030" Gold	.000100" Pure Tin, Matte
G =	.000010" Gold	.000005" Gold
Y =	.000030" Gold	.000005" Gold
	Contact Surface	Overall Plating
S =	.000010" Gold	.000010" Gold
M =	.000030" Gold	.000010" Gold
E =	.000100" Pure Tin, Matte	.000100" Pure Tin, Matte

CONTACT CENTERS
A = .125" [3.18mm]

MODIFICATION CODE (Consult Factory)

-S273 = FOR .093" ± .008" [2.36 ± .20]
THICK MATING PCB
-S664 = FOR .125" ± .008" [3.18 ± .20]
THICK MATING PCB

MOUNTING STYLE (Opposite Page)
N = No Mounting
D = Flush Mounting
T = Flush Mounting With Threaded Inserts
Z = Flush Mounting With Side Holes

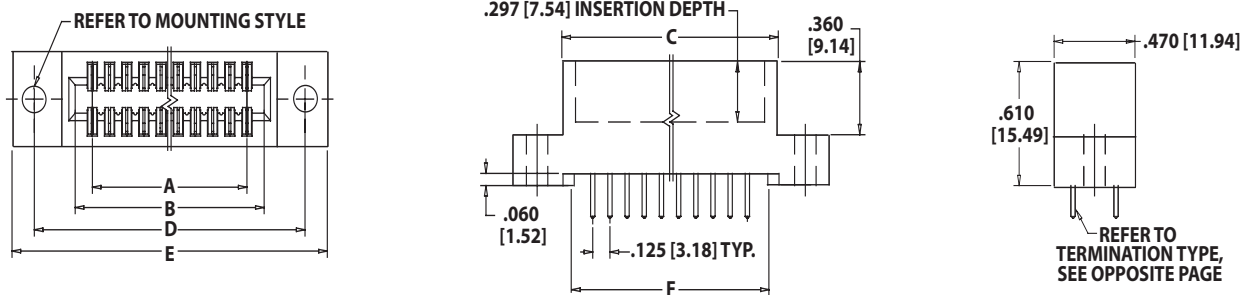
TERMINATION TYPE (Opposite Page)
RS = .025" [0.64mm] Square Dip Solder
RM = .025" [0.64mm] Square Wire Wrap
TA, TB, TM = .025" [0.64mm] Square Right Angle

READOUT (OPPOSITE PAGE)
D = Dual
H = Half Loaded

NUMBER OF CONTACT POSITIONS
See Chart Below

DIMENSIONS

Dimensions in [] are in millimeters, all others are in inches.



Tolerances with PPS Insulator Material may vary slightly due to shrinkage differential: Consult Factory.

POSITIONS/ CONTACTS	INCHES						[MILLIMETERS]					
	A±.008	B±.008	C±.015	D±.010	E±.020	F±.015	A±0.20	B±0.20	C±0.38	D±0.25	E±0.51	F±0.38
06/12*	0.625	0.875	1.035	1.295	1.555	0.875	15.88	22.23	26.29	32.89	39.50	22.23
10/20*	1.125	1.375	1.535	1.795	2.055	1.375	28.58	34.93	38.99	45.59	52.20	34.93
14/28*	1.625	1.875	2.035	2.295	2.555	1.875	41.28	47.63	51.69	58.29	64.90	47.63
15/30*	1.750	2.000	2.160	2.420	2.680	2.000	44.45	50.80	54.86	61.47	68.07	50.80
18/36*	2.125	2.375	2.535	2.795	3.055	2.375	53.98	60.33	64.39	70.99	77.60	60.33
22/44*	2.625	2.875	3.035	3.295	3.555	2.875	66.68	73.03	77.09	83.69	90.30	73.03
24/48*	2.875	3.125	3.285	3.545	3.805	3.125	73.03	79.38	83.44	90.04	96.65	79.38
25/50*	3.000	3.250	3.410	3.670	3.930	3.250	76.20	82.55	86.61	93.22	99.82	82.55
28/56*	3.375	3.625	3.785	4.045	4.305	3.625	85.73	92.08	96.14	102.74	109.35	92.08
30/60	3.625	3.875	4.035	4.295	4.555	3.875	92.08	98.43	102.49	109.09	115.70	98.43
31/62*	3.750	4.000	4.160	4.420	4.680	4.000	95.25	101.60	105.66	112.27	118.87	101.60
32/64*	3.875	4.125	4.285	4.545	4.805	4.125	98.43	104.78	108.84	115.44	122.05	104.78
35/70*	4.250	4.500	4.660	4.920	5.180	4.500	107.95	114.30	118.36	124.97	131.57	114.30
36/72	4.375	4.625	4.785	5.045	5.305	4.625	111.13	117.48	121.54	128.14	134.75	117.48
40/80*	4.875	5.125	5.285	5.545	5.805	5.125	123.83	130.18	134.24	140.84	147.45	130.18
43/86*	5.250	5.500	5.660	5.920	6.180	5.500	133.35	139.70	143.76	150.37	156.97	139.70
44/88*	5.375	5.625	5.785	6.045	6.305	5.625	136.53	142.88	146.94	153.54	160.15	142.88
49/98*	6.000	6.250	6.410	6.670	6.930	6.250	152.40	158.75	162.81	169.42	176.02	158.75
50/100	6.125	6.375	6.535	6.795	7.055	6.375	155.58	161.93	165.99	172.59	179.20	161.93

* Consult Factory For Availability.

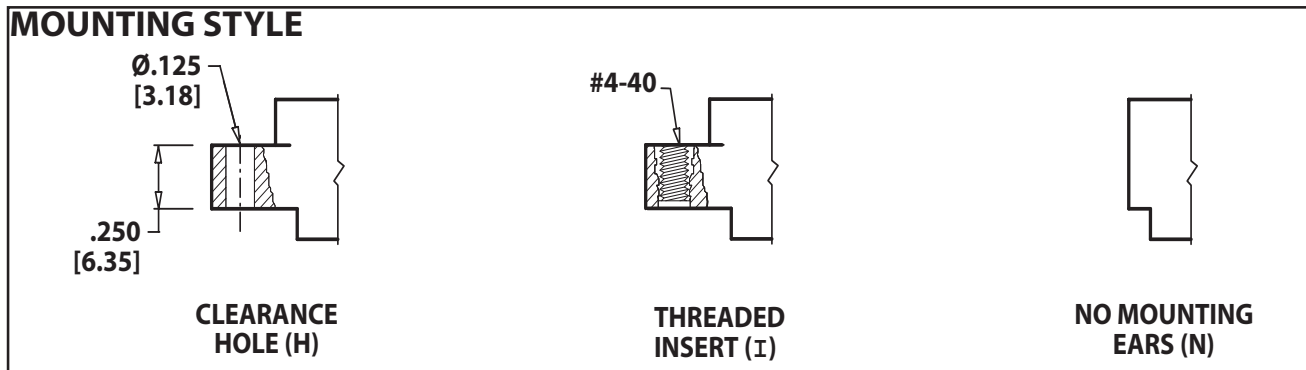
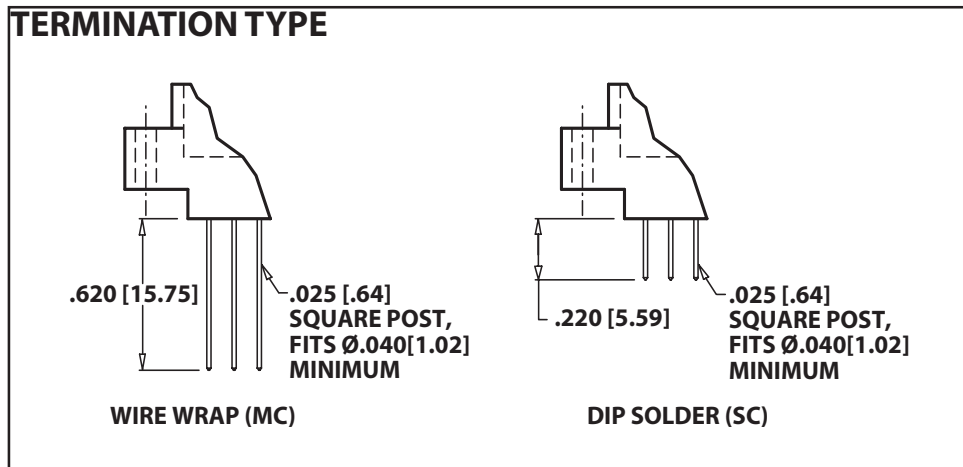
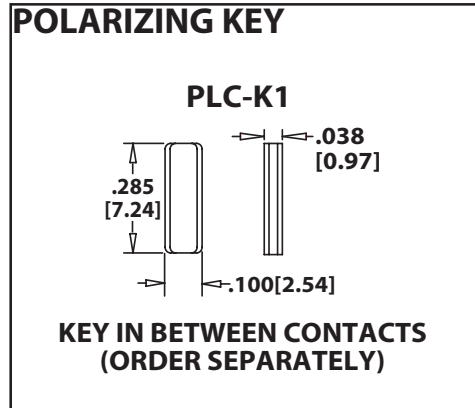
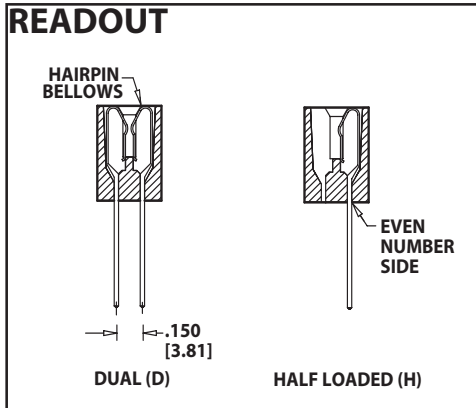
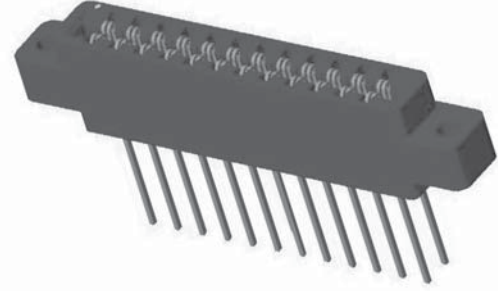


.150" [3.81mm] Contact Centers, .550" Insulator Height Dip Solder/Wire Wrap

Sullins Edgecards

SPECIFICATIONS

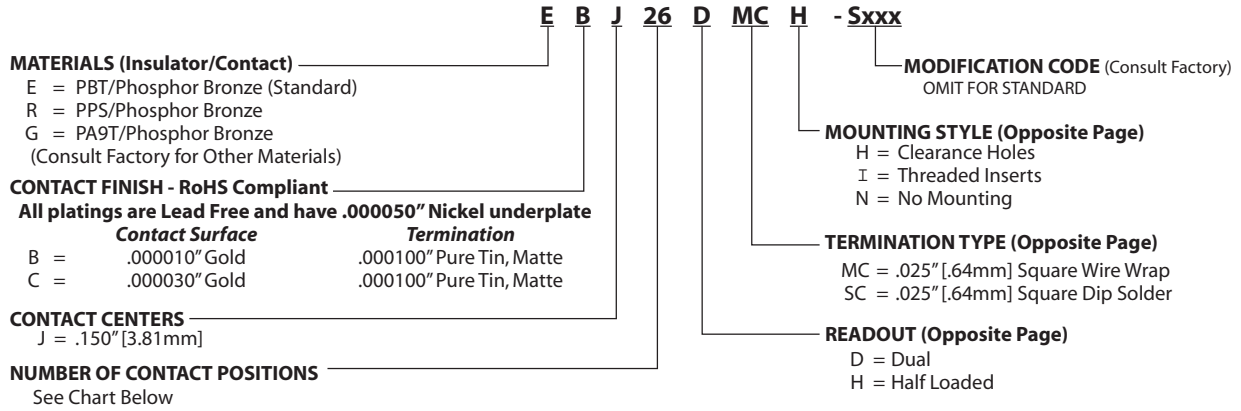
- Accommodates .062" ± .008" [1.57 ± .20] PC board
- PBT, PPS or PA9T insulator
- Molded-in key available
- 3 amp current rating per contact
- 30 milli ohm max. at rated current





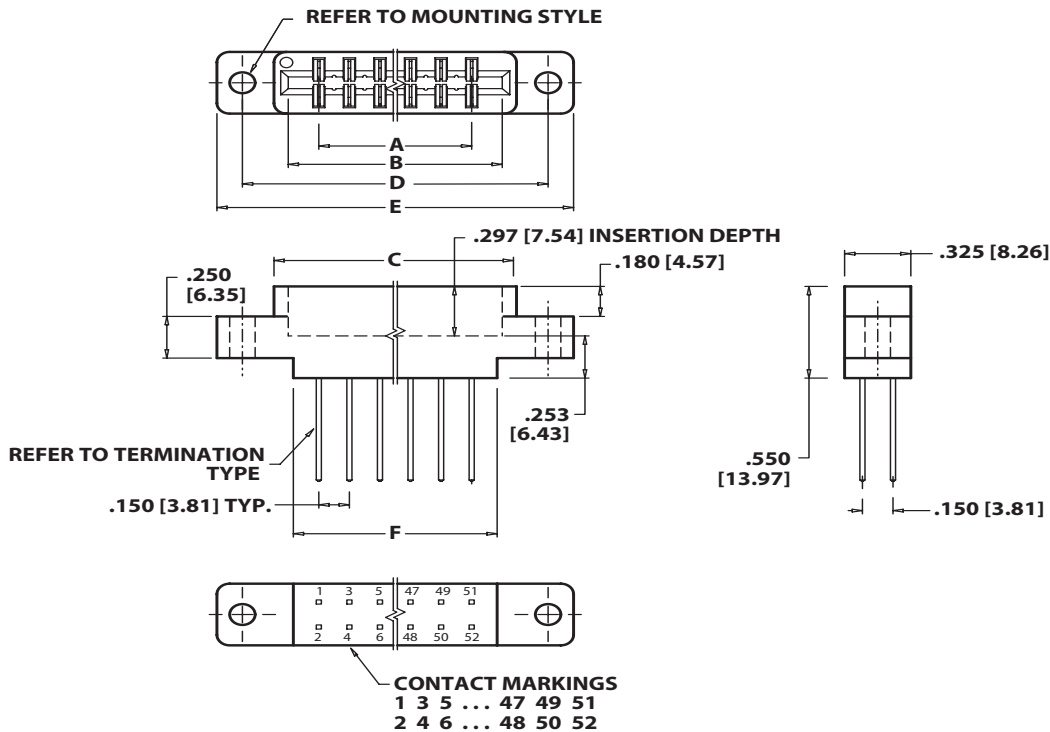
**.150" [3.81mm] Contact Centers, .550" Insulator Height
Dip Solder/Wire Wrap**

PART NUMBER CODING



DIMENSIONS

Dimensions in [] are in millimeters, all others are in inches.



Tolerances with PPS Insulator Material may vary slightly due to shrinkage differential; Consult Factory.

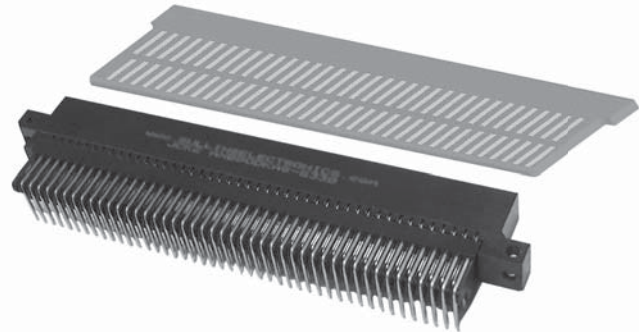
POSITIONS/ CONTACTS	INCHES						[MILLIMETERS]					
	A±.008	B±.008	C±.015	D±.010	E±.020	F±.015	A±0.20	B±0.20	C±0.38	D±0.25	E±0.51	F±0.38
12/24	1.650	1.950	2.090	2.400	2.650	2.000	41.91	49.53	53.09	60.96	67.31	50.80
18/36*	2.550	2.850	2.990	3.300	3.550	2.800	64.77	72.39	75.95	83.82	90.17	71.12
22/44*	3.150	3.450	3.590	3.900	4.150	3.400	80.01	87.63	91.19	99.06	105.41	86.36
26/52	3.750	4.050	4.190	4.500	4.750	4.000	95.25	102.87	106.43	114.30	120.65	101.60
28/56*	4.050	4.350	4.490	4.800	5.050	4.300	102.87	110.49	114.05	121.92	128.27	109.22

* Consult Factory For Availability.

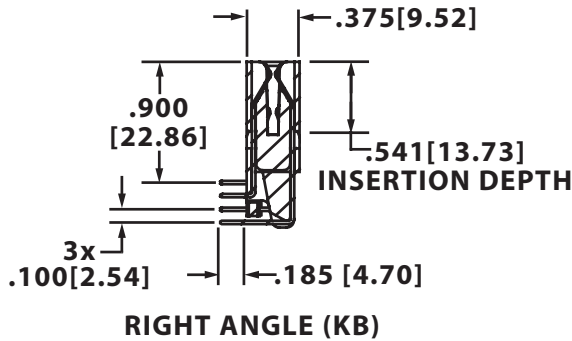


SPECIFICATIONS

- .078" Contact Center Spacing can replace .156" CC parts to double the number of contacts within the same area
- Backwards Compatible with Daughter Card Side
- Accommodates $.062" \pm .008"$ [1.57 ± .20] PC board
- Contact Material: Beryllium Copper or Phosphor Bronze
- Body Material: PPS/PA9T
- UL Flammability: 94V-0
- 3 amp current rating per contact
- 75 grams minimum contact normal force
- Voltage Rating: 125 VDC Minimum at sea level
- Consult Factory for PC board layouts/technical drawings



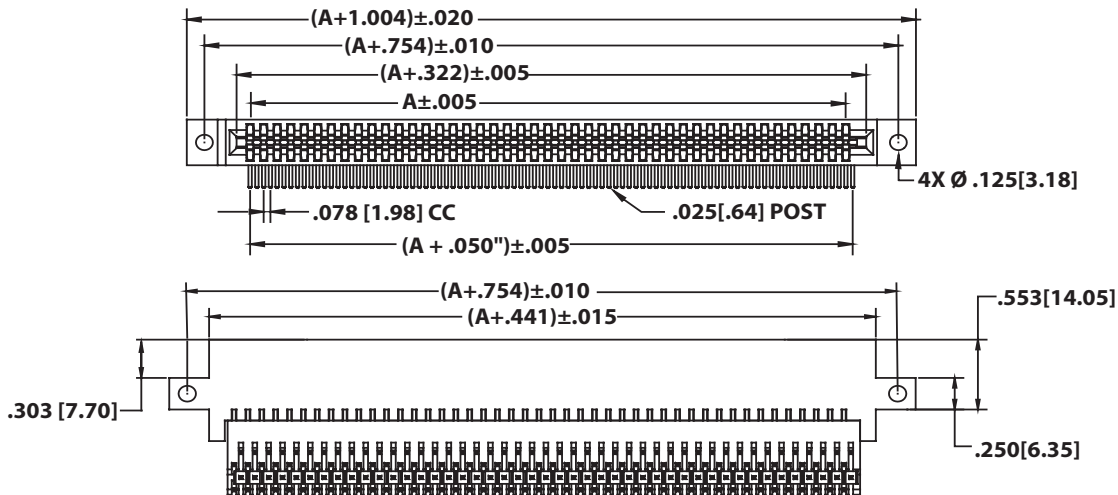
TERMINATION TYPE



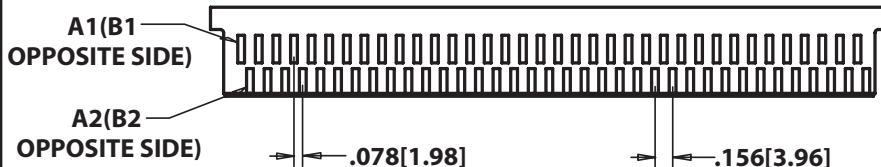
- HIGH DENSITY**
- HIGH TEMPERATURE**
- HIGH CYCLE**
- HIGH RELIABILITY**

DIMENSIONS

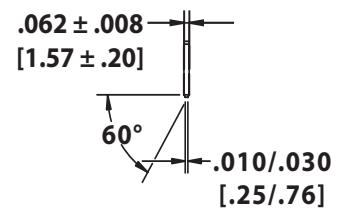
Dimensions in [] are in millimeters, all others are in inches.



DAUGHTER CARD LAYOUT



DAUGHTER CARD SIDE VIEW





PART NUMBER CODING

MATERIALS (INSULATOR/CONTACT)

- G = PA9T/Phosphor Bronze
Operating Temperature: 125°C
- R = PPS and PA9T/Phosphor Bronze
Operating Temperature: 125°C
- J = PA9T/Beryllium Copper
Operating Temperature: 150°C
- A = PPS and PA9T/Beryllium Copper
Operating Temperature: 150°C

CONTACT FINISH - RoHS Compliant

All platings are Lead Free and have .000050" Nickel underplate
Contact Surface Termination

- B = .000010" Gold .000100" Pure Tin, Matte
- C = .000030" Gold .000100" Pure Tin, Matte
- Y = .000030" Gold .000005" Gold

CONTACT CENTERS

- K = .078" [1.98mm]

A C K 10 D KB S - Sxxx

OMIT FOR STANDARD
S - S1075 = Staggered Ears with Side Mounting Holes
A - S1076 = Staggered Ears with #4-40 Threaded Inserts

Sullins Edgecards

POSITIONS	Dimension A (See Opposite Page)		
	No. of Contacts	Inches	[MM]
06	12	0.780	19.81
08	16	1.092	27.74
10	20	1.404	35.66
12	24	1.716	43.59
14	28	2.028	51.51
16	32	2.340	59.44
18	36	2.652	67.36
20	40	2.964	75.29
22	44	3.276	83.21
24	48	3.588	91.14
26	52	3.900	99.06
28	56	4.212	106.98
30	60	4.524	114.91
32	64	4.836	122.83
34	68	5.148	130.76
36	72	5.460	138.68
38	76	5.772	146.61
40	80	6.084	154.53
42	84	6.396	162.46
44	88	6.708	170.38
46	92	7.020	178.31
48	96	7.332	186.23
50	100	7.644	194.16
52	104	7.956	202.08
54	108	8.268	210.01
56	112	8.580	217.93
58	116	8.892	225.86
60	120	9.204	233.78
62	124	9.516	241.71
64	128	9.828	249.63
66	132	10.140	257.56
68	136	10.452	265.48
70	140	10.764	273.41
72	144	11.076	281.33

MOUNTING STYLE		
H	MOUNTING HOLES	
S	SIDE MOUNTING HOLES	
I	#4-40 THREADED INSERTS	
A	#4-40 THREADED INSERTS IN SIDE HOLES	
Z	FLUSH EARS WITH SIDE MOUNTING HOLES	
D	FLUSH EARS WITH Ø.125 HOLES	
T	FLUSH EARS WITH #4-40 THREADED INSERTS	
V	FLUSH EARS WITH #4-40 THREADED INSERTS IN SIDE HOLES	
N	NO MOUNTING EARS	

MODIFICATION CODE

(CONSULT FACTORY)

STAGGERED EARS WITH SIDE MOUNTING HOLES (S-S1075)

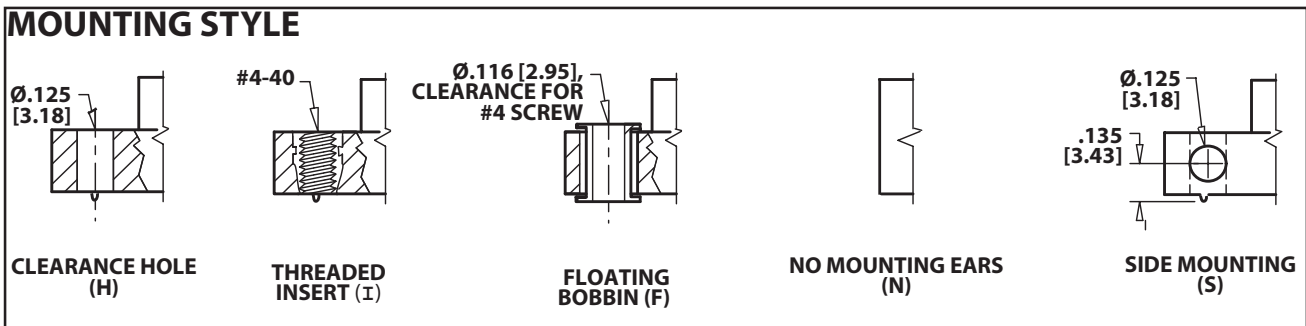
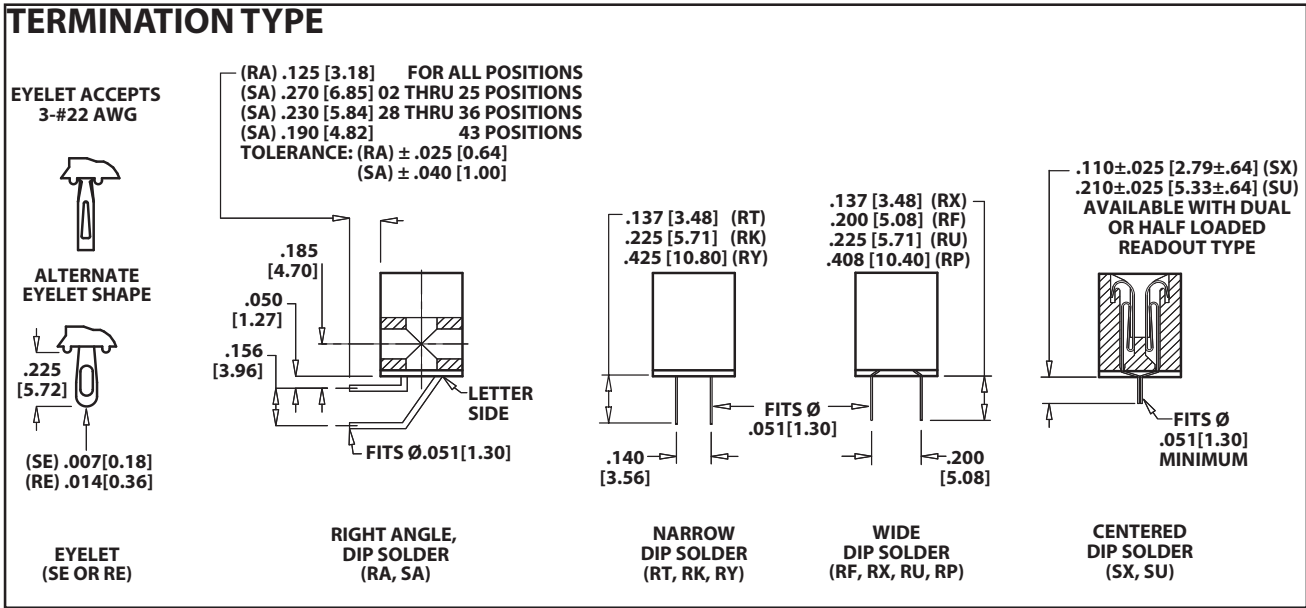
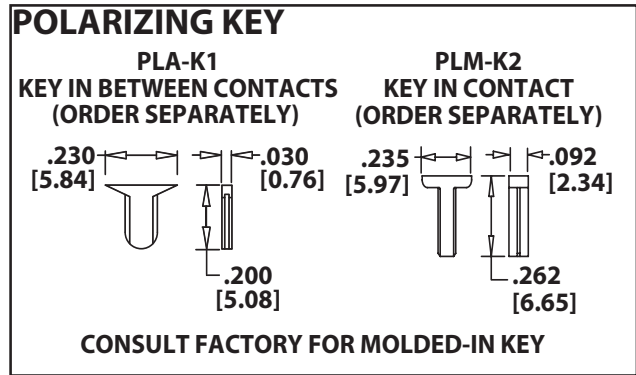
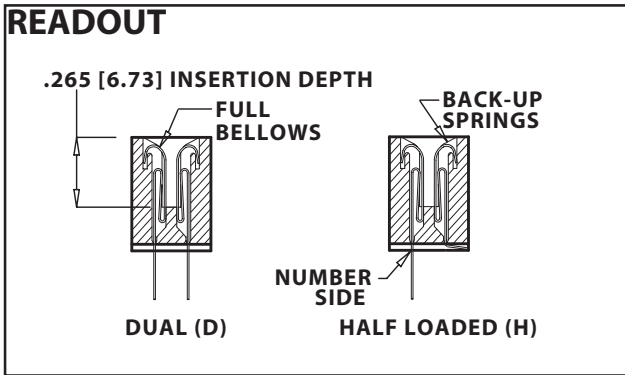
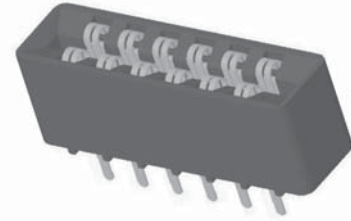
STAGGERED EARS WITH #4-40 THREADED INSERTS (A-S1076)



**.156" [3.96mm] Contact Centers, .431" Insulator Height
Dip Solder/Eyelet/Right Angle**

SPECIFICATIONS

- Accommodates .062" ± .008" [1.57 ± .20] PC board
- Molded-in key available
- 3 amp current rating per contact
(for 5 amp application, consult factory)
- 30 milli ohm maximum at rated current





**.156" [3.96mm] Contact Centers, .431" Insulator Height
Dip Solder/Eyelet/Right Angle**

Sullins Edgecards

PART NUMBER CODING

MATERIALS (Insulator/Contact)

- E = PBT/Phosphor Bronze (Standard)
- R = PPS/Phosphor Bronze
- G = PA9T/Phosphor bronze
- H = PBT/Beryllium Copper
- A = PPS/Beryllium Copper
- J = PA9T/Beryllium Copper
- *F = PPS/Spinodal (Overall Gold Plating Only)
Consult Factory for Special Soldering Guidelines
- *C = PPS/Beryllium Nickel (Overall Gold Plating Only)
- *W = PEEK/Beryllium Nickel (Overall Gold Plating Only)
- *Consult Factory for availability.

CONTACT FINISH - RoHS Compliant
All platings are Lead Free and have .000050" Nickel underplate

	Contact Surface	Termination
B =	.000010" Gold	.000100" Pure Tin, Matte
C =	.000030" Gold	.000100" Pure Tin, Matte
G =	.000010" Gold	.000005" Gold
Y =	.000030" Gold	.000005" Gold
	Contact Surface	Overall Plating
S =	.000010" Gold	.000010" Gold
M =	.000030" Gold	.000010" Gold
E =	.000100" Pure Tin, Matte	.000100" Pure Tin, Matte

CONTACT CENTERS
M = .156" [3.96mm]

NUMBER OF CONTACT POSITIONS
See Chart Below

MODIFICATION CODE (Consult Factory)
OMIT FOR STANDARD
-S13 = Card Extender Accepts .062" [1.57] PCB (RT, RK, RY, SE Terminations Only)

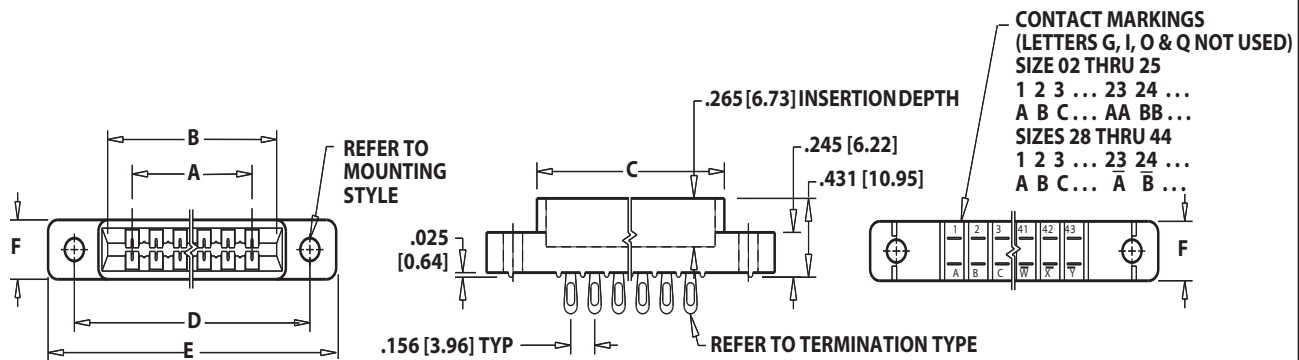
MOUNTING STYLE (Opposite Page)
H = .125" [3.18mm] Clearance Holes
N = No Mounting
S = Side Mounting
I = Threaded Insert
F = Floating Bobbin

TERMINATION TYPE (Opposite Page)
RA = .125" Right Angle Dip Solder
SA = Long Right Angle Dip Solder
RT = .140" x .137" Dip Solder
RK = .140" x .225" Dip Solder
RY = .140" x .425" Dip Solder
RX = .200" x .137" Dip Solder
RF = .200" x .200" Dip Solder
RU = .200" x .225" Dip Solder
RP = .200" x .408" Dip Solder
SX = .110" [2.79mm] Centered Dip Solder
SU = .210" [5.33mm] Centered Dip Solder
SE = .007" [0.18mm] Thick Eyelet
RE = .014" [0.36mm] Thick Eyelet

READOUT (Opposite Page)
D = Dual
D = Dual Row/ Crimp to Center for Single Readout (SX, SU Termination Only)
H = Half Loaded

DIMENSIONS

Dimensions in [] are in millimeters, all others are in inches.



Tolerances with PPS Insulator Material may vary slightly due to shrinkage differential; Consult Factory.

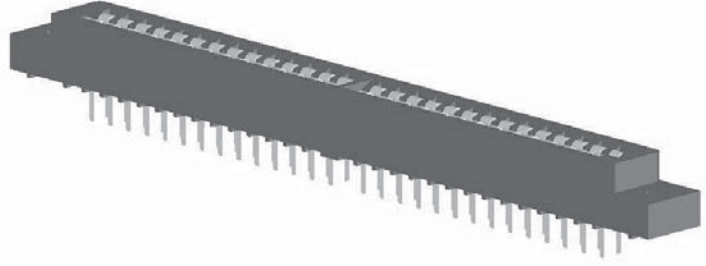
POSITIONS/ CONTACTS	INCHES					[MILLIMETERS]						
	A±.008	B±.008	C±.015	D±.010	E MAX	F±.005	A±0.20	B±0.20	C±0.38	D±0.25	E MAX	F±0.13
02/04	0.156	0.476	0.596	'N' MOUNTING			3.96	12.09	15.14	'N' MOUNTING		
03/06	0.312	0.632	0.752	'N' MOUNTING			7.92	16.05	19.10	'N' MOUNTING		
06/12	0.780	1.100	1.220	1.533	1.902		19.81	27.94	30.99	38.94	48.31	
08/16	1.092	1.412	1.532	1.845	2.214		27.74	35.86	38.91	46.86	56.24	
10/20	1.404	1.724	1.844	2.157	2.526		35.66	43.79	46.84	54.79	64.16	
11/22	1.560	1.880	2.000	2.313	2.682		39.62	47.75	50.80	58.75	68.12	
12/24	1.716	2.036	2.156	2.469	2.838	0.325	43.59	51.71	54.76	62.71	72.09	
15/30	2.184	2.504	2.624	2.937	3.306		55.47	63.60	66.65	74.60	83.97	
18/36	2.652	2.972	3.092	3.405	3.774		67.36	75.49	78.54	86.49	95.86	
22/44	3.276	3.596	3.716	4.029	4.398		83.21	91.34	94.39	102.34	111.71	
24/48	3.588	3.908	4.028	4.341	4.710		91.14	99.26	102.31	110.26	119.63	
25/50	3.744	4.064	4.184	4.497	4.866		95.10	103.23	106.27	114.22	123.60	
28/56	4.212	4.532	4.652	4.965	5.334		106.98	115.11	118.16	126.11	135.48	
36/72	5.460	5.780	5.900	6.213	6.582	0.438	138.68	146.81	149.86	157.81	167.18	11.13
43/86	6.552	6.872	6.992	7.305	7.674		166.42	174.55	177.60	185.55	194.92	
44/88	6.708	7.028	7.148	7.461	7.830	0.500	170.38	178.51	181.56	189.51	198.88	12.70



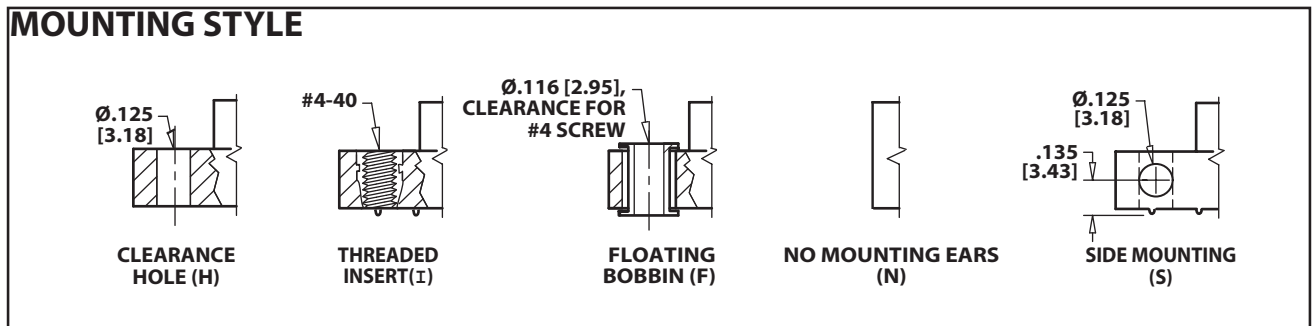
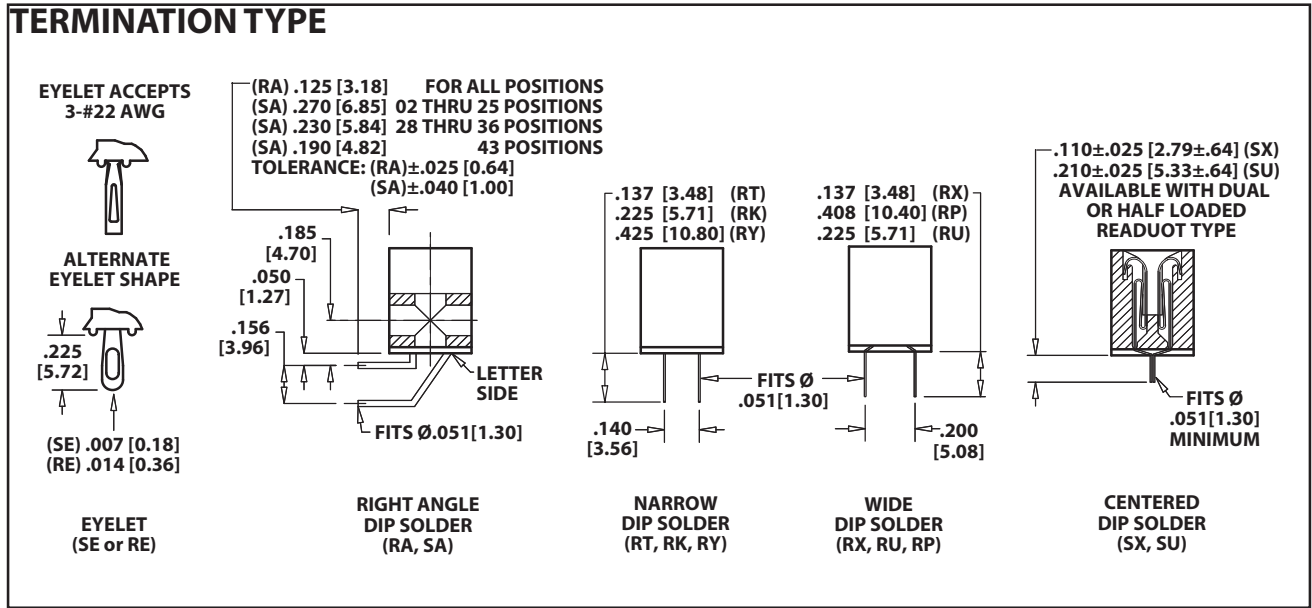
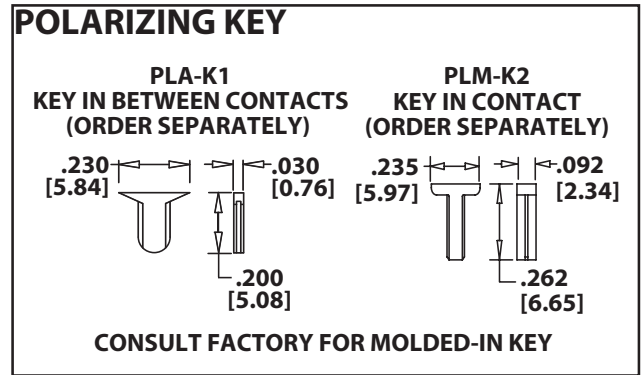
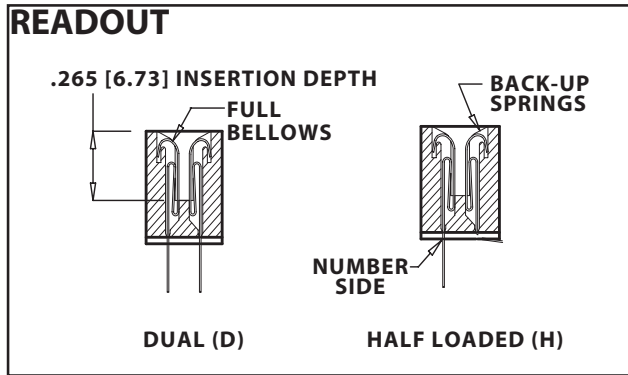
.156" [3.96mm] Contact Centers, .431" Insulator Height Special Body Configuration Dip Solder/Eyelet/Right Angle

SPECIFICATIONS

- Accommodates .062" ± .008"
[1.57 ± .20] PC board
- Molded-in key available
- 3 amp current rating per contact
(for 5 amp application, consult factory)
- 30 milli ohm maximum at rated current



Sullins Edgecards





**.156" [3.96mm] Contact Centers, .431" Insulator Height
Special Body Configuration Dip Solder/Eyelet/Right Angle**

Sullins Edgecards

PART NUMBER CODING

E B M 43 D R T H - S37

MATERIALS (Insulator/Contact)

- E = PBT/Phosphor Bronze (Standard)
- R = PPS/Phosphor Bronze
- G = PA9T/Phosphor bronze
- H = PBT/Beryllium Copper
- A = PPS/Beryllium Copper
- J = PA9T/Beryllium Copper
- *F = PPS/Spinodal (Overall Gold Plating Only)
Consult Factory for Special Soldering Guidelines
- *C = PPS/Beryllium Nickel (Overall Gold Plating Only)
- *W = PEEK/Beryllium Nickel (Overall Gold Plating Only)
- *Consult Factory for availability.

CONTACT FINISH - RoHS Compliant
All platings are Lead Free and have .000050" Nickel underplate

	Contact Surface	Termination
B =	.000010" Gold	.000100" Pure Tin, Matte
C =	.000030" Gold	.000100" Pure Tin, Matte
G =	.000010" Gold	.000005" Gold
Y =	.000030" Gold	.000005" Gold
	Contact Surface	Overall Plating
S =	.000010" Gold	.000010" Gold
M =	.000030" Gold	.000010" Gold
E =	.000100" Pure Tin, Matte	.000100" Pure Tin, Matte

CONTACT CENTERS
M = .156" [3.96mm]

NUMBER OF CONTACT POSITIONS
28 (14/14), 36 or 43

MODIFICATION CODE (Consult Factory)

- S37 = Reverse Contact ID & Shorter Card Slot Length
- S92 = Center Barrier Molded in Card Slot

MOUNTING STYLE (Opposite Page)

- H = .125" [3.18mm] Clearance Holes
- N = No Mounting
- S = Side Mounting
- I = Threaded Insert
- F = Floating Bobbin

TERMINATION TYPE (Opposite Page)

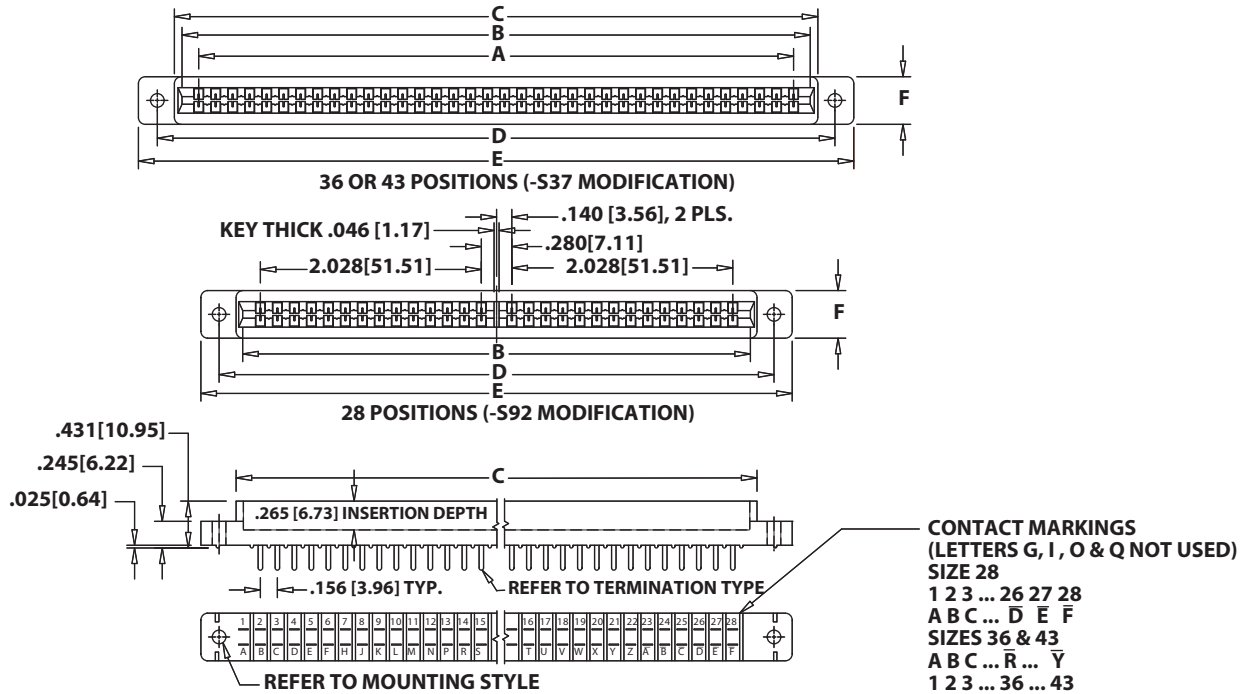
- RA = .125" Right Angle Dip Solder
- SA = Long Right Angle Dip Solder
- RT = .140" x .137" Dip Solder
- RK = .140" x .225" Dip Solder
- RY = .140" x .425" Dip Solder
- RX = .200" x .137" Dip Solder
- RU = .200" x .225" Dip Solder
- RP = .200" x .408" Dip Solder
- SX = .110" [2.79mm] Centered Dip Solder
- SU = .210" [5.33mm] Centered Dip Solder
- SE = .007" [0.18mm] Thick Eyelet
- RE = .014" [0.36mm] Thick Eyelet

READOUT (Opposite Page)

- D = Dual
- D = Dual Row/ Crimp to Center for Single
Readout (SX, SU Termination Only)
- H = Half Loaded

DIMENSIONS

Dimensions in [] are in millimeters, all others are in inches.

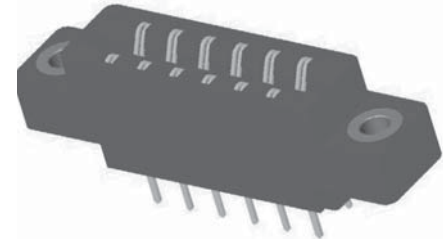


Tolerances with PPS Insulator Material may vary slightly due to shrinkage differential; Consult Factory.

POSITIONS/ CONTACTS	INCHES						[MILLIMETERS]						CENTER BARRIER
	A±.008	B±.008	C±.015	D±.010	E MAX	F±.005	A±0.20	B±0.20	C±0.38	D±0.25	E MAX	F±0.13	
28/56		4.660	4.780	5.093	5.427	0.438		118.36	121.41	129.36	137.85	11.13	YES
36/72	5.460	5.766	5.906	6.219	6.566	0.438	138.68	146.46	150.01	157.96	166.78	11.13	NO
43/86	6.552	6.810	7.000	7.302	7.643	0.500	166.42	172.97	177.80	185.47	194.13	12.70	NO

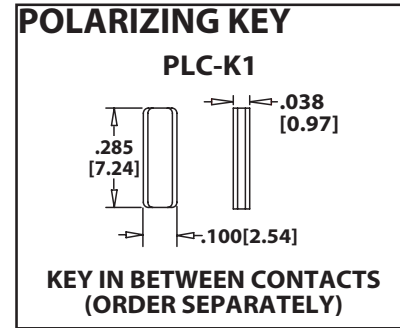
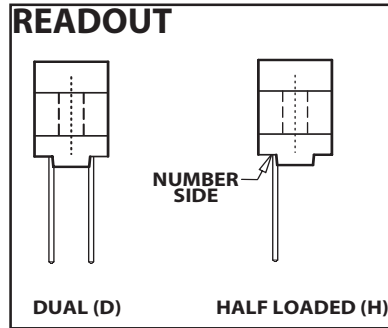


**.156" [3.96mm] Contact Centers, .610" Insulator Height
Dip Solder/Wire Wrap/Right Angle/Card Extender**



SPECIFICATIONS

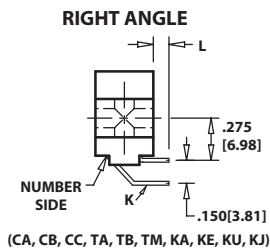
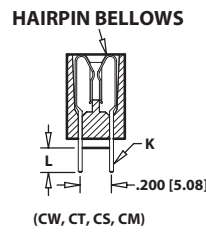
- Accommodates .062" ± .008" [1.57 ± .20] PC board (See page 64/65 for .093" ± .008" [2.36 ± .20] and .125" ± .008" [3.18 ± .20] boards)
- PBT, PPS or PA9T insulator
- Molded-in key available
- 3 amp current rating per contact
- 30 milli ohm maximum at rated current



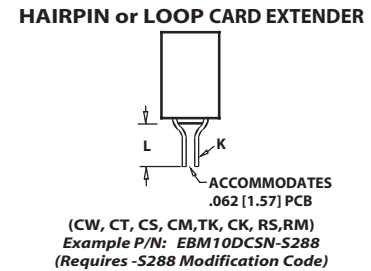
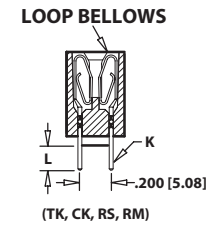
Sullins Edgards

TERMINATION TYPE

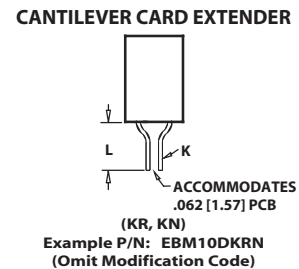
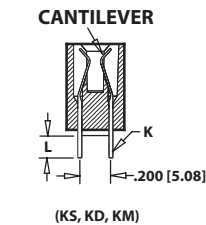
HAIRPIN BELLOWS	TERMINATION TYPE	POST CROSS SECTION K	POST LENGTH L .025 [.64]	FITS MIN. HOLE SIZE
CW	DIP SOLDER	.015 x .025 [.38 x .64]	.125 [3.18]	.035 [0.76]
CT	DIP SOLDER	.015 x .025 [.38 x .64]	.170 [4.32]	.035 [0.76]
CS	DIP SOLDER	.025 [.64] SQUARE	.160 [4.06]	.040 [1.02]
CM	WIRE WRAP	.025 [.64] SQUARE	.560 [14.20]	.040 [1.02]
CA	RIGHT ANGLE	.025 [.64] SQUARE	.100 [2.54]	.043 [1.09]
CB	RIGHT ANGLE	.025 [.64] SQUARE	.180 [4.57]	.043 [1.09]
CC	RIGHT ANGLE	.025 [.64] SQUARE	.250 [6.35]	.043 [1.09]



LOOP BELLOWS	TERMINATION TYPE	POST CROSS SECTION K	POST LENGTH L .025 [.64]	FITS MIN. HOLE SIZE
TK,CK	DIP SOLDER	.026 [.66] ROUND	.190 [4.83]	.030 [0.76]
RS	DIP SOLDER	.025 [.64] SQUARE	.190 [4.83]	.040 [1.02]
RM	WIRE WRAP	.025 [.64] SQUARE	.560 [14.20]	.040 [1.02]
TA	RIGHT ANGLE	.025 [.64] SQUARE	.100 [2.54]	.043 [1.09]
TB	RIGHT ANGLE	.025 [.64] SQUARE	.180 [4.57]	.043 [1.09]
TM	RIGHT ANGLE	.025 [.64] SQUARE	.250 [6.35]	.043 [1.09]

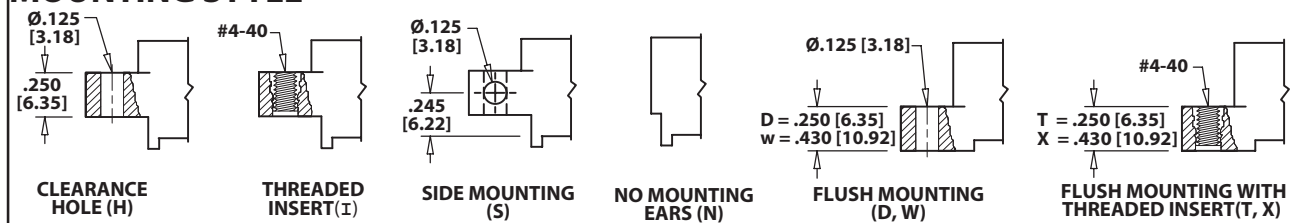


CANTILEVER	TERMINATION TYPE	POST CROSS SECTION K	POST LENGTH L .025 [.64]	FITS MIN. HOLE SIZE
KS	DIP SOLDER	.025 [.64] SQUARE	.190 [4.83]	.040 [1.02]
KD	DIP SOLDER	.025 [.64] SQUARE	.160 [4.06]	.043 [1.09]
KM	WIRE WRAP	.025 [.64] SQUARE	.560 [14.20]	.040 [1.02]
*KA	RIGHT ANGLE	.025 [.64] SQUARE	.100 [2.54]	.043 [1.09]
*KE	RIGHT ANGLE	.025 [.64] SQUARE	.180 [4.57]	.043 [1.09]
*KU	RIGHT ANGLE	.025 [.64] SQUARE	.250 [6.35]	.043 [1.09]
*KJ	RIGHT ANGLE	.025 [.64] SQUARE	.500 [12.70]	.043 [1.09]
*KR	CARD EXTENDER	.025 [.64] SQUARE	.235 [5.97]	N/A
*KN	CARD EXTENDER	.025 [.64] SQUARE	.605 [15.37]	N/A



* KA, KE, KJ, KR, KN have no standoffs, unless requested.

MOUNTING STYLE





**.156" [3.96mm] Contact Centers, .610" Insulator Height
Dip Solder/Wire Wrap/Right Angle/Card Extender**

Sullins Edgecards

PART NUMBER CODING

E B M 43 D CM H - Sxxx

MATERIALS (Insulator/Contact)
 E = PBT/Phosphor Bronze (Standard)
 R = PPS/Phosphor Bronze
 G = PA9T/Phosphor Bronze
 A = PPS/Beryllium Copper
 J = PA9T/Beryllium Copper
 (Consult Factory For Other Materials)

CONTACT FINISH - RoHS Compliant
 All platings are Lead Free and have .000050" Nickel underplate

Contact Surface	Termination
B = .000010" Gold	.000100" Pure Tin, Matte
C = .000030" Gold	.000100" Pure Tin, Matte
G = .000010" Gold	.000005" Gold
Y = .000030" Gold	.000005" Gold
Contact Surface	Overall Plating
S = .000010" Gold	.000010" Gold
M = .000030" Gold	.000010" Gold
E = .000100" Pure Tin, Matte	.000100" Pure Tin, Matte

CONTACT CENTERS
 M = .156" [3.96mm]

NUMBER OF CONTACT POSITIONS
 See Chart Below

READOUT (Opposite Page)
 D = Dual
 H = Half Loaded

MODIFICATION CODE (Consult Factory)
 OMIT FOR STANDARD
 -S189 = .200" [5.08mm] Row to Row on Right Angle
 -S288* = Card Extender Accepts .062" [1.57] PCB
 * Not Required on KR or KN Terminations

MOUNTING STYLE (Opposite Page)
 H = Clearance Holes
 I = Threaded Inserts
 S = Side Mounting
 N = No Mounting
 D, W = Flush Mounting
 T, X = Flush Mounting With Threaded Inserts

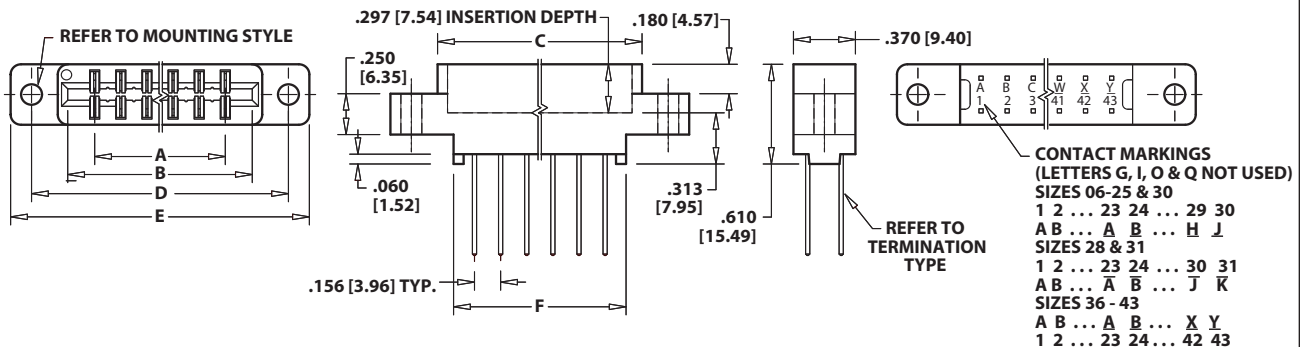
TERMINATION TYPE (Opposite Page)
Hairpin Bellows - Available with B or C plating and Phosphor Bronze Only
 CS = .025" [.64mm] Square Dip Solder
 CM = .025 [.64mm] Square Wire Wrap
 CA, CB, CC = .025" [.64mm] Square Right Angle
 CW, CT = .015" x .025" [.38 x .64] Dip Solder

Loop Bellows
 RS = .025" [0.64mm] Square Dip Solder
 CK, TK = .026" [0.66mm] Round Dip Solder
 RM = .025" [0.64mm] Square Wire Wrap
 TA, TB, TM = .025" [.64mm] Square Right Angle

Cantilever Bellows - Available in Y, B, or C Contact Finish Only
Not Available with R or A Materials
 KS, KD = .025" [.64mm] Square Dip Solder
 KM = .025 [.64mm] Square Wire Wrap
 KA, KE, KU, KJ = .025" [.64mm] Square Right Angle
 KR, KN = .025" [.64mm] Square Card Extender

DIMENSIONS

Dimensions in [] are in millimeters, all others are in inches.



Tolerances with PPS Insulator Material may vary slightly due to shrinkage differential; Consult Factory.

POSITIONS/ CONTACTS	INCHES						[MILLIMETERS]					
	A±.008	B±.008	C±.015	D±.010	E±.020	F±.015	A±0.20	B±0.20	C±0.38	D±0.25	E±0.51	F±0.38
06/12	0.780	1.102	1.221	1.534	1.784	1.030	19.81	27.99	31.01	38.96	45.31	26.16
08/16	1.092	1.414	1.533	1.846	2.096	1.342	27.74	35.92	38.94	46.89	53.24	34.09
10/20	1.404	1.726	1.845	2.158	2.408	1.654	35.66	43.84	46.86	54.81	61.16	42.01
12/24	1.716	2.038	2.157	2.470	2.720	1.966	43.59	51.77	54.79	62.74	69.09	49.94
15/30	2.184	2.506	2.625	2.938	3.188	2.434	55.47	63.65	66.68	74.63	80.98	61.82
18/36	2.652	2.974	3.093	3.406	3.656	2.902	67.36	75.54	78.56	86.51	92.86	73.71
20/40*	2.964	3.286	3.405	3.718	3.968	3.214	75.29	83.46	86.49	94.44	100.79	81.64
22/44	3.276	3.598	3.717	4.030	4.280	3.526	83.21	91.39	94.41	102.36	108.71	89.56
24/48	3.588	3.910	4.029	4.342	4.592	3.838	91.14	99.31	102.34	110.29	116.64	97.49
25/50	3.744	4.066	4.185	4.498	4.748	3.994	95.10	103.28	106.30	114.25	120.60	101.45
28/56	4.212	4.534	4.653	4.966	5.216	4.462	106.98	115.16	118.19	126.14	132.49	113.33
30/60	4.524	4.846	4.965	5.278	5.528	4.774	114.91	123.09	126.11	134.06	140.41	121.26
31/62	4.680	5.002	5.121	5.434	5.684	4.930	118.87	127.05	130.07	138.02	144.37	125.22
36/72	5.460	5.782	5.901	6.214	6.464	5.710	138.68	146.86	149.89	157.84	164.19	145.03
40/80	6.084	6.406	6.525	6.838	7.088	6.334	154.53	162.71	165.74	173.69	180.04	160.88
43/86	6.552	6.874	6.993	7.306	7.556	6.802	166.42	174.60	177.62	185.57	191.92	172.77

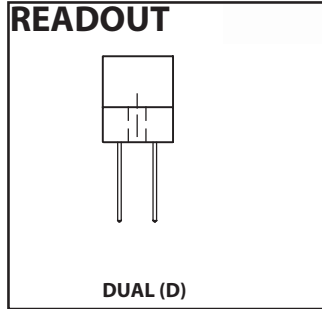
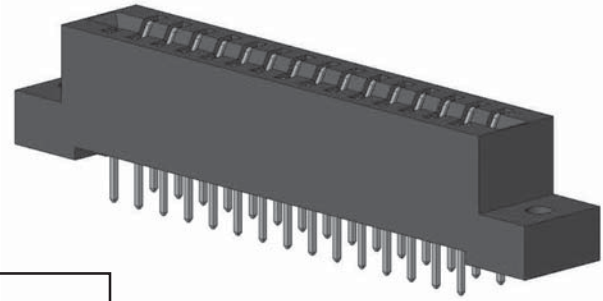
* Consult Factory for availability.



.156" [3.96mm] Contact Centers, .610" Insulator Height
Dip Solder/Wire Wrap/Right Angle for .093" [2.36] or .125" [3.18] Mating PCB

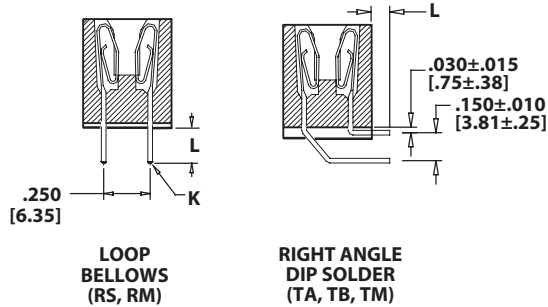
SPECIFICATIONS

- Accommodates $.093" \pm .008"$ [2.36 ± .20] or $.125" \pm .008"$ [3.18 ± .20] mating PCB (Consult factory for $.031" \pm .008"$ [.79 ± .20] boards)
- PBT, PPS or PA9T insulator
- Molded-in key available
- 3 amp current rating per contact
- 30 milli ohm maximum at rated current



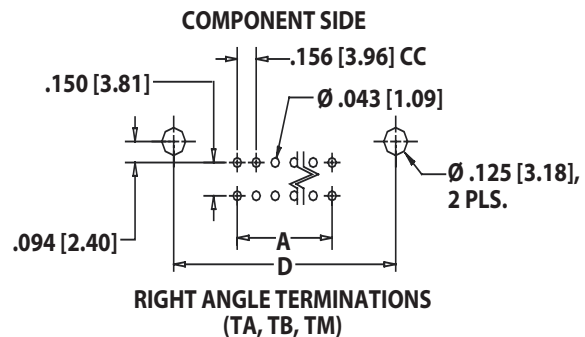
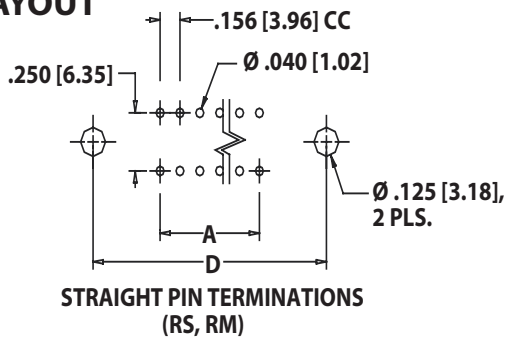
Sullins Edgecards

TERMINATION TYPE

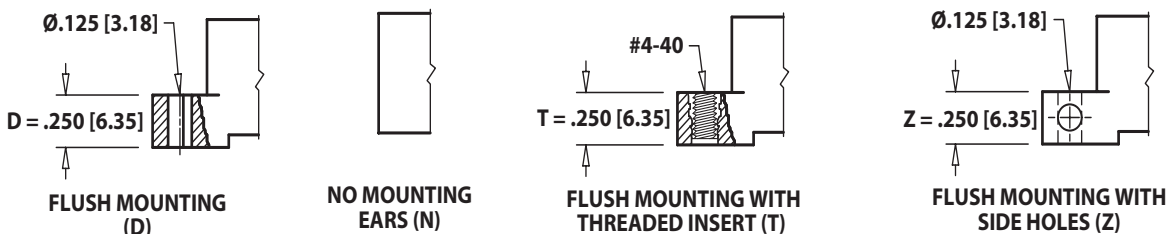


TERMINATION TYPE		POST CROSS SECTION (K)	POST LENGTH L ±.025 [.64]	FITS MIN. HOLE SIZE
RS	Dip Solder	.025 [.64] SQUARE	.190 [4.83]	.040 [1.02]
RM	Wire Wrap	.025 [.64] SQUARE	.560 [14.20]	.040 [1.02]
TA	Right Angle	.025 [.64] SQUARE	.100 [2.54]	.043 [1.09]
TB	Right Angle	.025 [.64] SQUARE	.180 [4.57]	.043 [1.09]
TM	Right Angle	.025 [.64] SQUARE	.250 [6.35]	.043 [1.09]

PCB LAYOUT



MOUNTING STYLE





.156" [3.96mm] Contact Centers, .610" Insulator Height
Dip Solder/Wire Wrap/Right Angle for .093" [2.36] or .125" [3.18] Mating PCB

Sullins Edgecards

PART NUMBER CODING

E B M 43 D RM D - S273

MATERIALS (Insulator/Contact)
 E = PBT/Phosphor Bronze (Standard)
 R = PPS/Phosphor Bronze
 G = PA9T/Phosphor Bronze
 A = PPS/Beryllium Copper
 J = PA9T/Beryllium Copper
 (Consult Factory For Other Materials)

CONTACT FINISH - RoHS Compliant
 All platings are Lead Free and have .000050" Nickel underplate

	Contact Surface	Termination
B =	.000010" Gold	.000100" Pure Tin, Matte
C =	.000030" Gold	.000100" Pure Tin, Matte
G =	.000010" Gold	.000005" Gold
Y =	.000030" Gold	.000005" Gold
	Contact Surface	Overall Plating
S =	.000010" Gold	.000010" Gold
M =	.000030" Gold	.000010" Gold
E =	.000100" Pure Tin, Matte	.000100" Pure Tin, Matte

CONTACT CENTERS
 M = .156" [3.96mm]

MODIFICATION CODE (Consult Factory)
 -S273 = FOR .093" ± .008" [2.36 ± .20] THICK MATING PCB
 -S664 = FOR .125" ± .008" [3.18 ± .20] THICK MATING PCB

MOUNTING STYLE (Opposite Page)
 N = No Mounting
 D = Flush Mounting
 T = Flush Mounting With Threaded Inserts
 Z = Flush Mounting With Side Holes

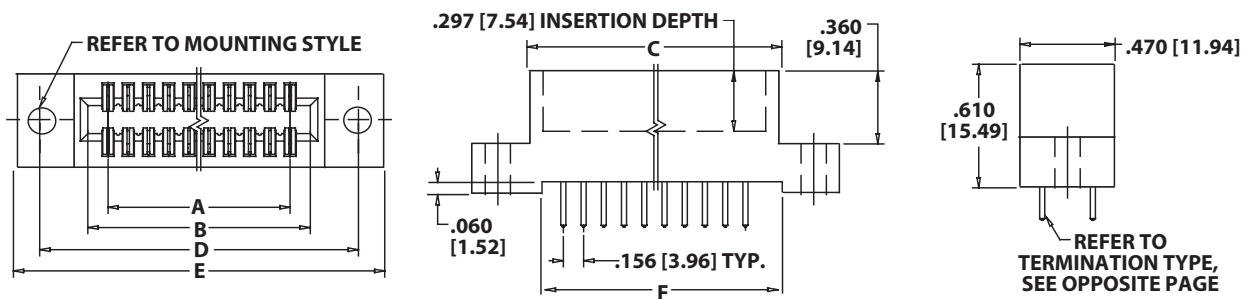
TERMINATION TYPE (Opposite Page)
 RS = .025" [.64mm] Square Dip Solder
 RM = .025" [.64mm] Square Wire Wrap
 TA, TB, TM = .025" [.64mm] Square Right Angle

READOUT (Opposite Page)
 D = Dual

NUMBER OF CONTACT POSITIONS
 See Chart Below

DIMENSIONS

Dimensions in [] are in millimeters, all others are in inches.



Tolerances with PPS Insulator Material may vary slightly due to shrinkage differential: Consult Factory.

POSITIONS/ CONTACTS	INCHES						[MILLIMETERS]					
	A±.008	B±.008	C±.015	D±.010	E±.020	F±.015	A±0.20	B±0.20	C±0.38	D±0.25	E±0.51	F±0.38
06/12	0.780	1.102	1.221	1.534	1.784	1.104	19.81	27.99	31.01	38.96	45.31	28.04
08/16	1.092	1.414	1.533	1.846	2.096	1.416	27.74	35.92	38.94	46.89	53.24	35.97
10/20*	1.404	1.726	1.845	2.158	2.408	1.728	35.66	43.84	46.86	54.81	61.16	43.89
12/24	1.716	2.038	2.157	2.470	2.720	2.040	43.59	51.77	54.79	62.74	69.09	51.82
15/30*	2.184	2.506	2.625	2.938	3.188	2.508	55.47	63.65	66.68	74.63	80.98	63.70
18/36*	2.652	2.974	3.093	3.406	3.656	2.976	67.36	75.54	78.56	86.51	92.86	75.59
20/40*	2.964	3.286	3.405	3.718	3.968	3.288	75.29	83.46	86.49	94.44	100.79	83.52
22/44	3.276	3.598	3.717	4.030	4.280	3.600	83.21	91.39	94.41	102.36	108.71	91.44
24/48*	3.588	3.910	4.029	4.342	4.592	3.912	91.14	99.31	102.34	110.29	116.64	99.37
25/50*	3.744	4.066	4.185	4.498	4.748	4.068	95.10	103.28	106.30	114.25	120.60	103.33
28/56*	4.212	4.534	4.653	4.966	5.216	4.536	106.98	115.16	118.19	126.14	132.49	115.21
30/60*	4.524	4.846	4.965	5.278	5.528	4.848	114.91	123.09	126.11	134.06	140.41	123.14
31/62*	4.680	5.002	5.121	5.434	5.684	5.004	118.87	127.05	130.07	138.02	144.37	127.10
36/72	5.460	5.782	5.901	6.214	6.464	5.784	138.68	146.86	149.89	157.84	164.19	146.91
40/80*	6.084	6.406	6.525	6.838	7.088	6.408	154.53	162.71	165.74	173.69	180.04	162.76
43/86*	6.552	6.874	6.993	7.306	7.556	6.876	166.42	174.60	177.62	185.57	191.92	174.65

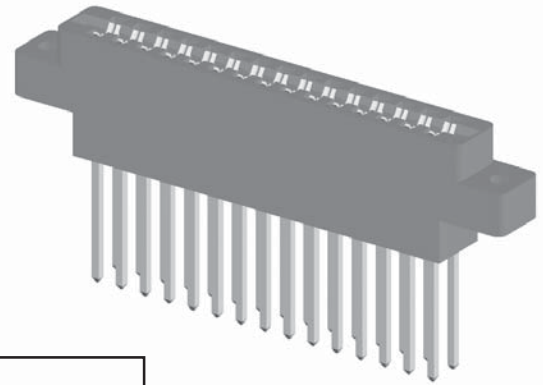
* Consult Factory for availability.



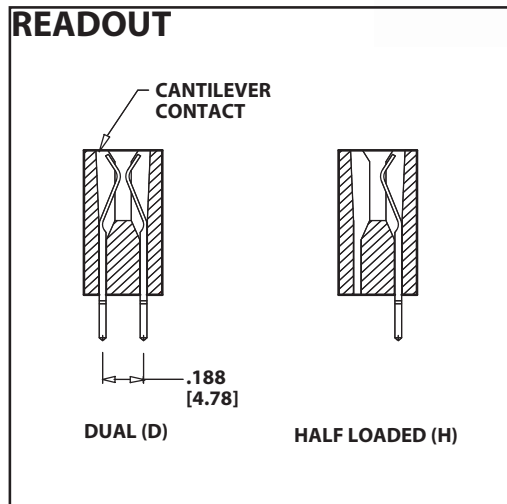
**.156" [3.96mm] Contact Centers, .720" Insulator Height
.045" square / .031" x .062" Wire Wrap**

SPECIFICATIONS

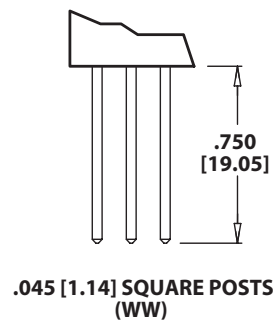
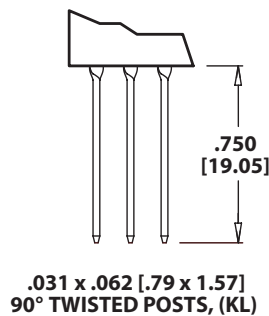
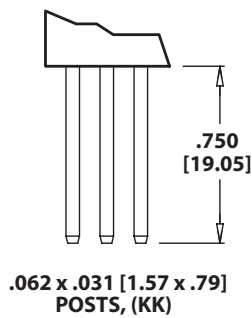
- Accommodates .062" ± .008" [1.57 ± .20] PC board
- PBT insulator
- Molded-in key available
- In Between Contact Key use PLC-K1, see page 126 (sold separately)
- 5 amp current rating per contact
- 30 milli ohm maximum at rated current



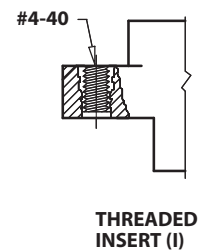
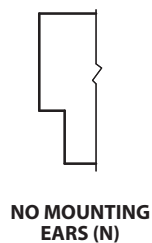
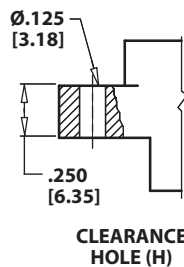
Sullins Edgecards



TERMINATION TYPE



MOUNTING STYLE





**.156" [3.96mm] Contact Centers, .720" Insulator Height
.045" square / .031" x .062" Wire Wrap**

PART NUMBER CODING

E B M 43 D KK H - Sxxx

MATERIALS (Insulator/Contact)
E = PBT/Phosphor Bronze (Standard)
(Consult Factory For Other Materials)

CONTACT FINISH - RoHS Compliant
All platings are Lead Free and have .000050" Nickel underplate

Contact Surface	Termination
B = .000010" Gold	.000100" Pure Tin, Matte
C = .000030" Gold	.000100" Pure Tin, Matte
G = .000010" Gold	.000005" Gold
Y = .000030" Gold	.000005" Gold
Contact Surface	Overall Plating
S = .000010" Gold	.000010" Gold
M = .000030" Gold	.000010" Gold
E = .000100" Pure Tin, Matte	.000100" Pure Tin, Matte

CONTACT CENTERS
M = .156" [3.96mm]

MODIFICATION CODE (Consult Factory)
OMIT FOR STANDARD

MOUNTING STYLE (Opposite page)
H = Clearance Hole
N = No Mounting
I = Threaded Inserts

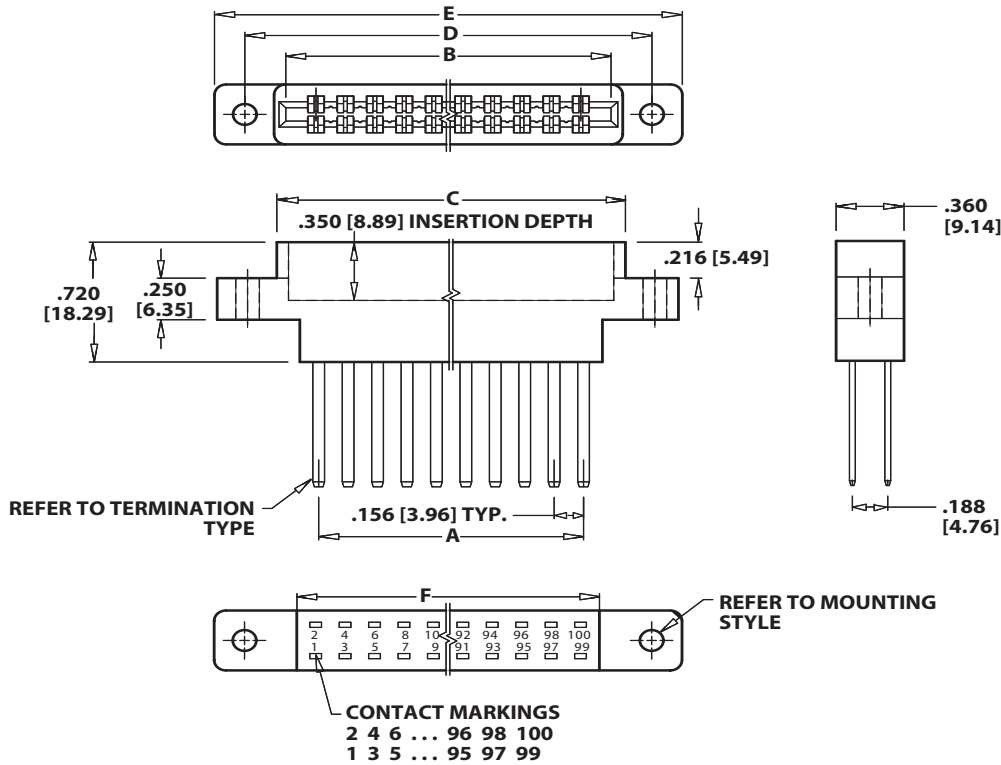
TERMINATION TYPE (Opposite Page)
KK = .031" [.79mm] x .062" [1.58mm] Post
KL = .031" [.79mm] x .062" [1.58mm] Post, Twisted 90°
WW = .045" [1.14mm] Square Post

READOUT (Opposite Page)
D = Dual Row
H = Half Loaded

NUMBER OF CONTACT POSITIONS
See Chart Below

DIMENSIONS

Dimensions in [] are in millimeters, all others are in inches.



POSITIONS/ CONTACTS	INCHES						[MILLIMETERS]					
	A±.008	B±.008	C±.015	D±.010	E±.020	F±.015	A±0.20	B±0.20	C±0.38	D±0.25	E±0.51	F±0.38
06/12*	0.780	1.100	1.224	1.534	1.784	0.980	19.81	27.94	31.09	38.96	45.31	24.89
10/20	1.404	1.724	1.848	2.158	2.408	1.604	35.66	43.79	46.94	54.81	61.16	40.74
12/24	1.716	2.036	2.160	2.470	2.720	1.916	43.59	51.71	54.86	62.74	69.09	48.67
15/30	2.184	2.504	2.628	2.938	3.188	2.384	55.47	63.60	66.75	74.63	80.98	60.55
18/36	2.652	2.972	3.096	3.406	3.656	2.852	67.36	75.49	78.64	86.51	92.86	72.44
22/44	3.276	3.596	3.720	4.030	4.280	3.476	83.21	91.34	94.49	102.36	108.71	88.29
25/50*	3.744	4.064	4.188	4.498	4.748	3.944	95.10	103.23	106.38	114.25	120.60	100.18
28/56	4.212	4.532	4.656	4.966	5.216	4.412	106.98	115.11	118.26	126.14	132.49	112.06
30/60*	4.524	4.844	4.968	5.278	5.528	4.724	114.91	123.04	126.19	134.06	140.41	119.99
31/62*	4.680	5.000	5.124	5.434	5.684	4.880	118.87	127.00	130.15	138.02	144.37	123.95
36/72	5.460	5.780	5.904	6.214	6.464	5.660	138.68	146.81	149.96	157.84	164.19	143.76
43/86*	6.552	6.872	6.996	7.306	7.556	6.752	166.42	174.55	177.70	185.57	191.92	171.50
50/100*	7.644	7.964	8.088	8.398	8.648	7.844	194.16	202.29	205.44	213.31	219.66	199.24

* Consult Factory for availability.

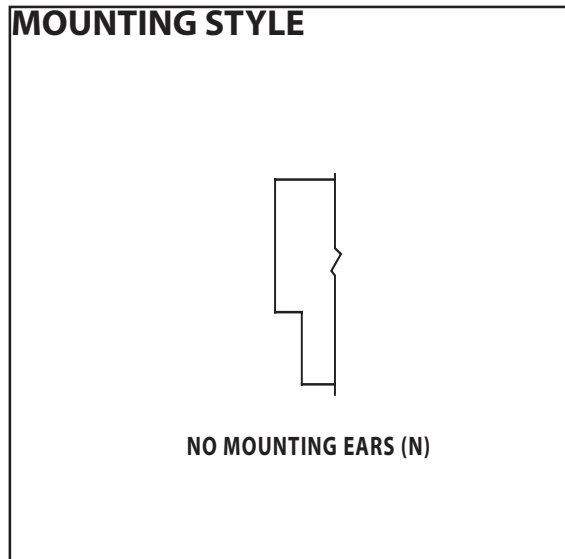
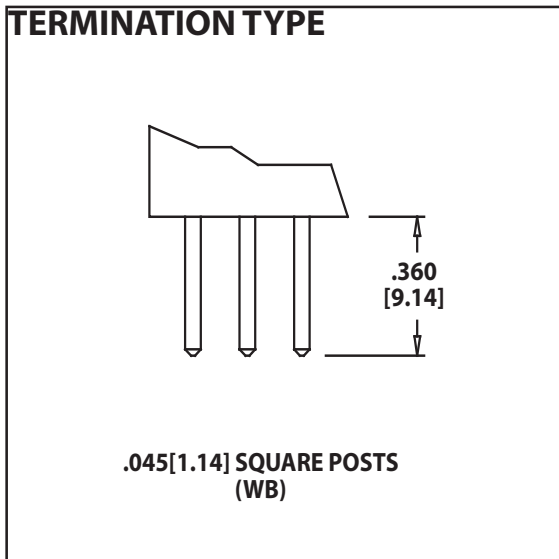
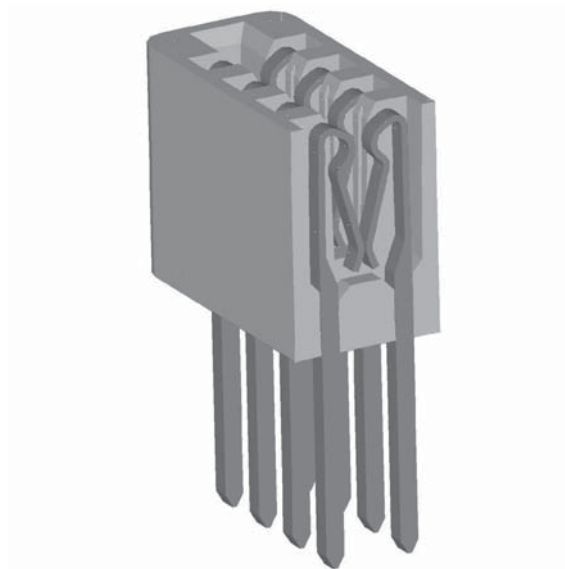
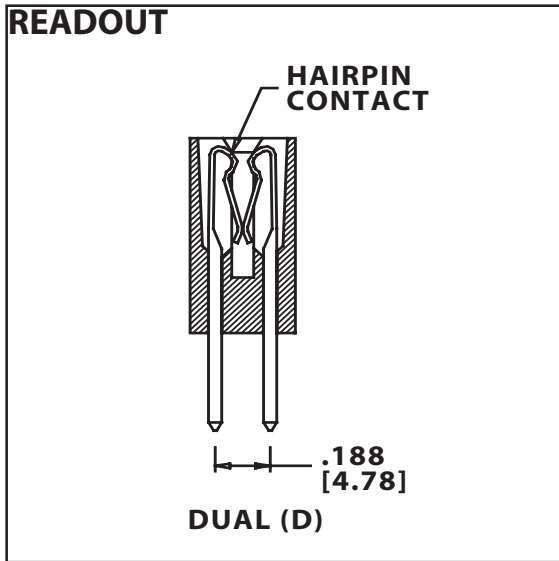


**.156" [3.96mm] Contact Centers, .720" Insulator Height
.045" square Make Before Break**

SPECIFICATIONS

- Make before break (MBB) Application
- Accommodates .062" ± .008" [1.57 ± .20] PC board
- PBT, PPS or PA9T insulator
- Molded-in key available
- 5 amp current rating per contact
- 30 milli ohm maximum at rated current

Sullins Edgecards

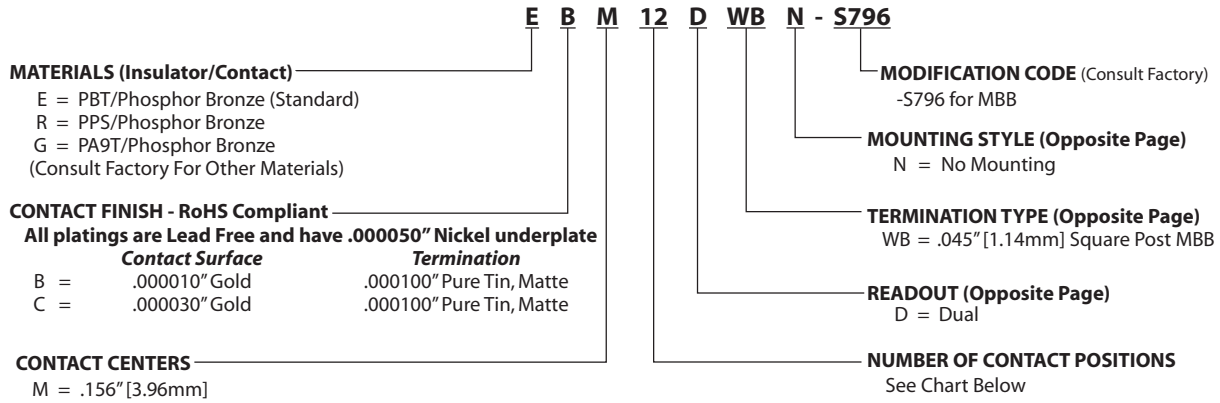




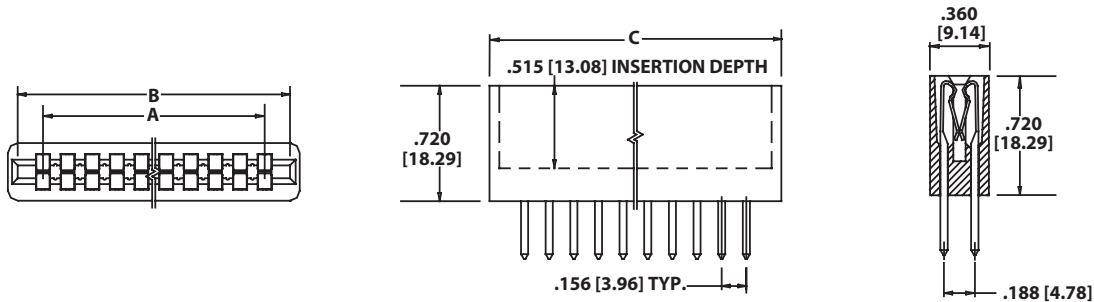
**.156" [3.96mm] Contact Centers, .720" Insulator Height
.045" square Make Before Break**

Sullins Edgecards

PART NUMBER CODING



DIMENSIONS Dimensions in [] are in millimeters, all others are in inches.



Tolerances with PPS Insulator Material may vary slightly due to shrinkage differential: Consult Factory.

POSITIONS/ CONTACTS	INCHES			[MILLIMETERS]		
	A±.08	B±.008	C±.015	A±0.20	B±0.20	C±0.38
10/20*	1.404	1.724	1.848	35.66	43.79	46.94
12/24	1.716	2.036	2.160	43.59	51.71	54.86
15/30*	2.184	2.504	2.628	55.47	63.60	66.75
18/36*	2.652	2.972	3.096	67.36	75.49	78.64
22/44*	3.276	3.596	3.720	83.21	91.34	94.49
25/50*	3.744	4.064	4.188	95.10	103.23	106.38
28/56*	4.212	4.532	4.656	106.98	115.11	118.26
30/60*	4.524	4.844	4.968	114.91	123.04	126.19
31/62*	4.680	5.000	5.124	118.87	127.00	130.15
36/72*	5.460	5.780	5.904	138.68	146.81	149.96
43/86*	6.552	6.872	6.996	166.42	174.55	177.70
50/100*	7.644	7.964	8.088	194.16	202.29	205.44

* Consult Factory for Availability.



**.050" [1.27mm] Contact Centers, Male Header,
Dip Solder/Right Angle/SMT**

SPECIFICATIONS

- Insulator Material: Nylon 9T
- Contact Material: Brass
- Plating: Overall Gold Flash
- 1 amp current rating per contact
- UL Flammability Rating: 94V-O

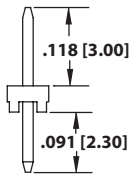


TERMINATION TYPE

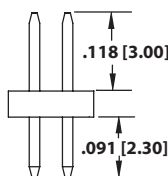
SINGLE READOUT

DUAL READOUT

STRAIGHT

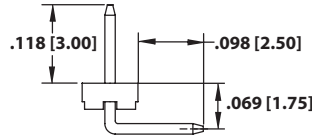


(VWVN)

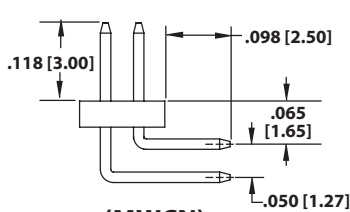


(VWVN)

RIGHT ANGLE

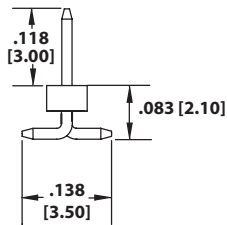


(VWCN)

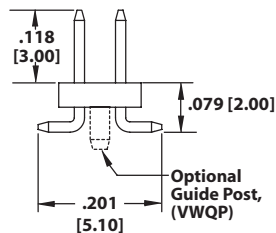


(MWCN)

SURFACE MOUNT (SMT)



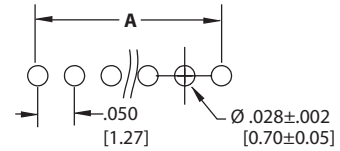
(VWTC)



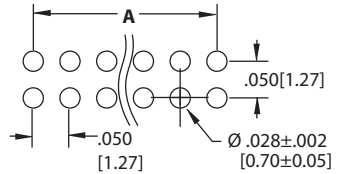
**(VWQS), Without Guide Post
(VWQP), With Guide Post**

PCB LAYOUT

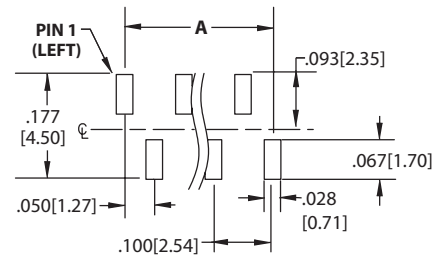
**STRAIGHT (VWV)
RIGHT ANGLE (VVC)**



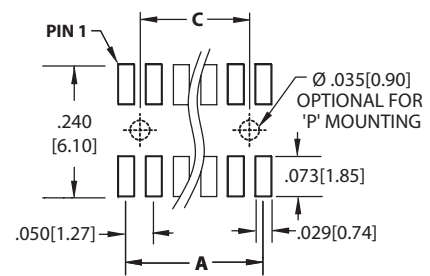
**STRAIGHT (VWV)
RIGHT ANGLE (MVC)**



SURFACE MOUNT, PIN 1 LEFT (VWT)

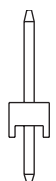


SURFACE MOUNT (VWQ)

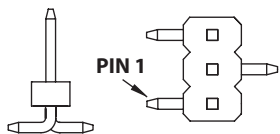


Sullins Headers

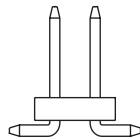
MOUNTING STYLE



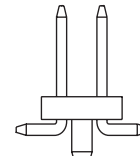
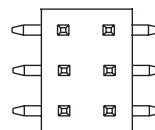
**No Mounting,
(N)**



**SMT, Pin 1 Left
(C)**



**SMT, Without Guide Post
(S)**



**SMT, With Guide Post
(P)**



.050" [1.27mm] Contact Centers, Male Header, Dip Solder/Right Angle/SMT

PART NUMBER CODING

G R P B xx 1 VVW N - RC

PLASTIC HOUSING
G = Nylon, 9-T

CONTACT MATERIAL
R = Brass

CONTACT FINISH - RoHS Compliant
P = Gold Flash Overall

CONTACT CENTERS
B = .050" [1.27mm]

NUMBER OF POSITIONS

Positions Available Termination

2 Thru 50 = VVW, VWC (1 Row)
1 Thru 50 = VVW, MWC (2 Row)
3 Thru 50 = VWT
3 Thru 50 = VWQ

RoHS COMPLIANT
Consult Factory For Modifications

MOUNTING STYLE
N = No Mounting
C = Surface Mount, Pin 1 Left (Single Row Only)
S = Surface Mount without Guide Pins (Dual Row Only)
P = Surface Mount with Guide Posts (Dual Row Only)

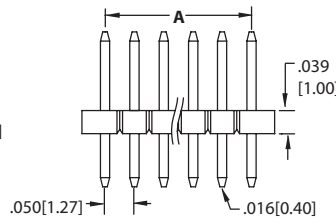
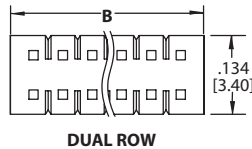
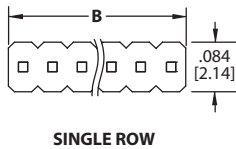
TERMINATION TYPE (Opposite Page)
VVW, VWC, MWC, VWT, VWQ

NUMBER OF ROWS
1 = Single Row
2 = Dual Row

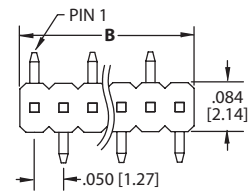
DIMENSIONS

Dimensions in [] are in millimeters, all others are in inches.

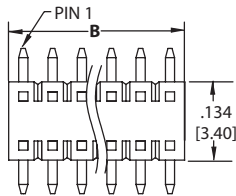
STRAIGHT (SHOWN) & RIGHT ANGLE



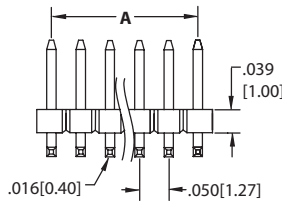
SURFACE MOUNT, PIN 1 LEFT, SINGLE ROW



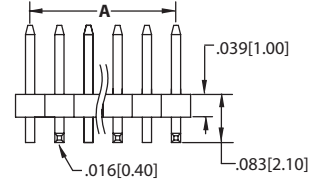
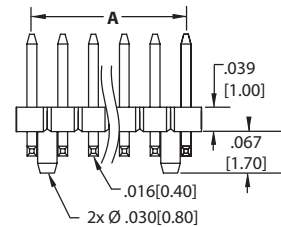
SURFACE MOUNT, DUAL ROW



WITHOUT GUIDE POST, (VWQS)



WITH GUIDE POST, (VWQP)



Positions	Number of Contacts Single/Dual	DIMENSION A		DIMENSION B		DIMENSION C	
		Inches	[mm]	Inches	[mm]	Inches	[mm]
01	01/02	.000	0.00	.050	1.27		
02	02/04	.050	1.27	.100	2.54		
03	03/06	.100	2.54	.150	3.81	.050	1.27
04	04/08	.150	3.81	.200	5.08	.100	2.54
05	05/10	.200	5.08	.250	6.35	.150	3.81
06	06/12	.250	6.35	.300	7.62	.200	5.08
07	07/14	.300	7.62	.350	8.89	.250	6.35
08	08/16	.350	8.89	.400	10.16	.300	7.62
09	09/18	.400	10.16	.450	11.43	.350	8.89
10	10/20	.450	11.43	.500	12.70	.400	10.16
11	11/22	.500	12.70	.550	13.97	.450	11.43
12	12/24	.550	13.97	.600	15.24	.500	12.70
13	13/26	.600	15.24	.650	16.51	.550	13.97
14	14/28	.650	16.51	.700	17.78	.600	15.24
15	15/30	.700	17.78	.750	19.05	.650	16.51
16	16/32	.750	19.05	.800	20.32	.700	17.78
17	17/34	.800	20.32	.850	21.59	.750	19.05
18	18/36	.850	21.59	.900	22.86	.800	20.32
19	19/38	.900	22.86	.950	24.13	.850	21.59
20	20/40	.950	24.13	1.000	25.40	.900	22.86
21	21/42	1.000	25.40	1.050	26.67	.950	24.13
22	22/44	1.050	26.67	1.100	27.94	1.000	25.40
23	23/46	1.100	27.94	1.150	29.21	1.050	26.67
24	24/48	1.150	29.21	1.200	30.48	1.100	27.94
25	25/50	1.200	30.48	1.250	31.75	1.150	29.21

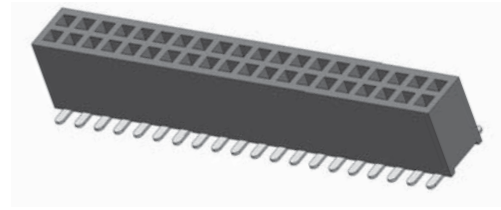
Positions	Number of Contacts Single/Dual	DIMENSION A		DIMENSION B		DIMENSION C	
		Inches	[mm]	Inches	[mm]	Inches	[mm]
26	26/52	1.250	31.75	1.300	33.02	1.200	30.48
27	27/54	1.300	33.02	1.350	34.29	1.250	31.75
28	28/56	1.350	34.29	1.400	35.56	1.300	33.02
29	29/58	1.400	35.56	1.450	36.83	1.350	34.29
30	30/60	1.450	36.83	1.500	38.10	1.400	35.56
31	31/62	1.500	38.10	1.550	39.37	1.450	36.83
32	32/64	1.550	39.37	1.600	40.64	1.500	38.10
33	33/66	1.600	40.64	1.650	41.91	1.550	39.37
34	34/68	1.650	41.91	1.700	43.18	1.600	40.64
35	35/70	1.700	43.18	1.750	44.45	1.650	41.91
36	36/72	1.750	44.45	1.800	45.72	1.700	43.18
37	37/74	1.800	45.72	1.850	46.99	1.750	44.45
38	38/76	1.850	46.99	1.900	48.26	1.800	45.72
39	39/78	1.900	48.26	1.950	49.53	1.850	46.99
40	40/80	1.950	49.53	2.000	50.80	1.900	48.26
41	41/82	2.000	50.80	2.050	52.07	1.950	49.53
42	42/84	2.050	52.07	2.100	53.34	2.000	50.80
43	43/86	2.100	53.34	2.150	54.61	2.050	52.07
44	44/88	2.150	54.61	2.200	55.88	2.100	53.34
45	45/90	2.200	55.88	2.250	57.15	2.150	54.61
46	46/92	2.250	57.15	2.300	58.42	2.200	55.88
47	47/94	2.300	58.42	2.350	59.69	2.250	57.15
48	48/96	2.350	59.69	2.400	60.96	2.300	58.42
49	49/98	2.400	60.96	2.450	62.23	2.350	59.69
50	50/100	2.450	62.23	2.500	63.50	2.400	60.96



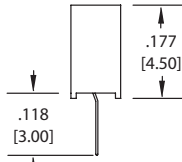
**.050" [1.27mm] Contact Centers, Female Header,
Dip Solder/Right Angle/SMT**

SPECIFICATIONS

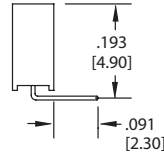
- Insulator Material: Nylon 9T
- Contact Material: Brass
- Plating: Overall Gold Flash
- 1 amp current rating per contact
- UL Flammability Rating: 94V-O



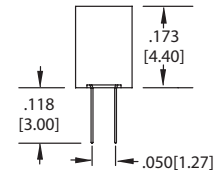
TERMINATION TYPE



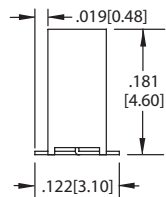
**SINGLE ROW,
STRAIGHT
(NFFN)**



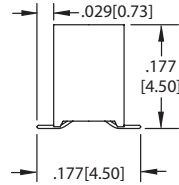
**SINGLE ROW,
RIGHT ANGLE
(NGCN)**



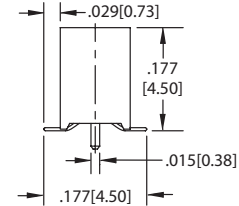
**DUAL ROW,
STRAIGHT
(CFFN)**



**SINGLE ROW,
SMT
(NFSC)**



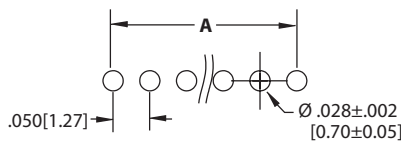
**DUAL ROW,
SMT Without Guide Posts
(NFSS)**



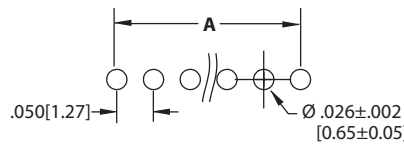
**DUAL ROW,
SMT With Guide Posts
(NFSP)**

Sullins Headers

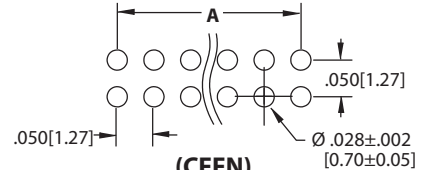
PCB LAYOUT



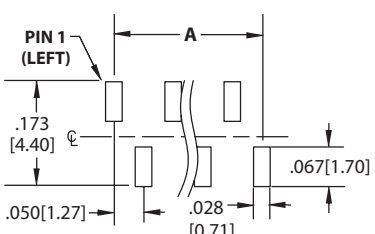
(NFFN)



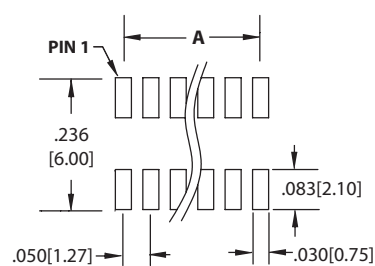
(NGCN)



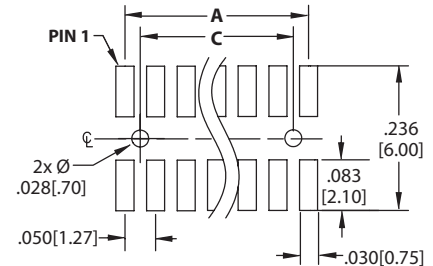
(CFFN)



(NFSC)

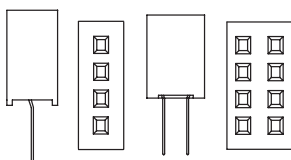


(NFSS)

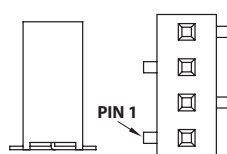


(NFSP)

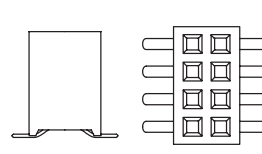
MOUNTING STYLE



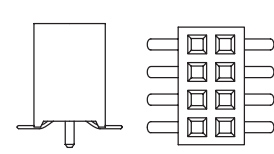
**SINGLE & DUAL ROW
NO MOUNTING
(N)**



**SINGLE ROW
SMT, Pin 1 Left
(C)**



**DUAL ROW
SMT Without Guide Post
(S)**

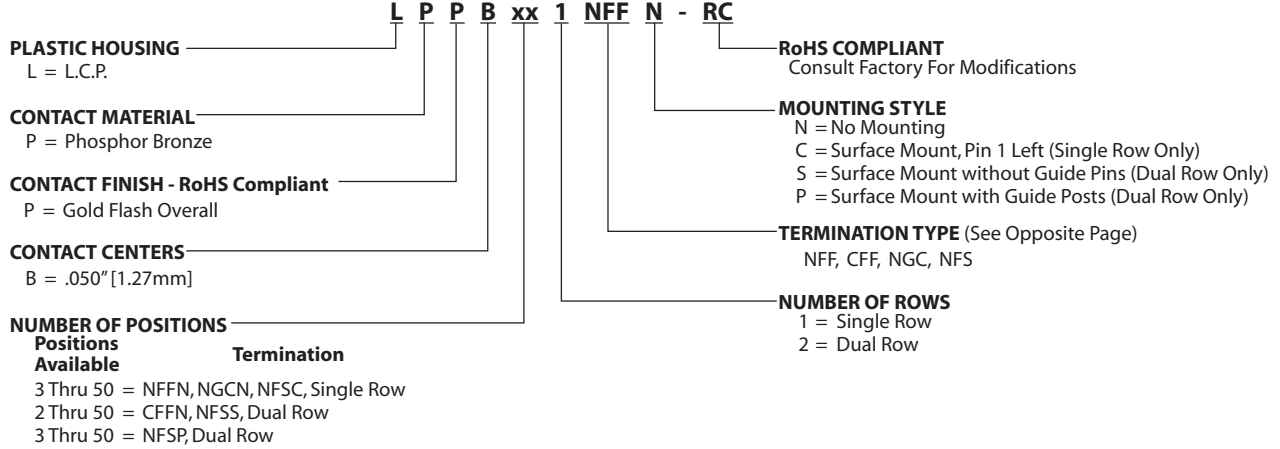


**DUAL ROW
SMT With Guide Post
(P)**



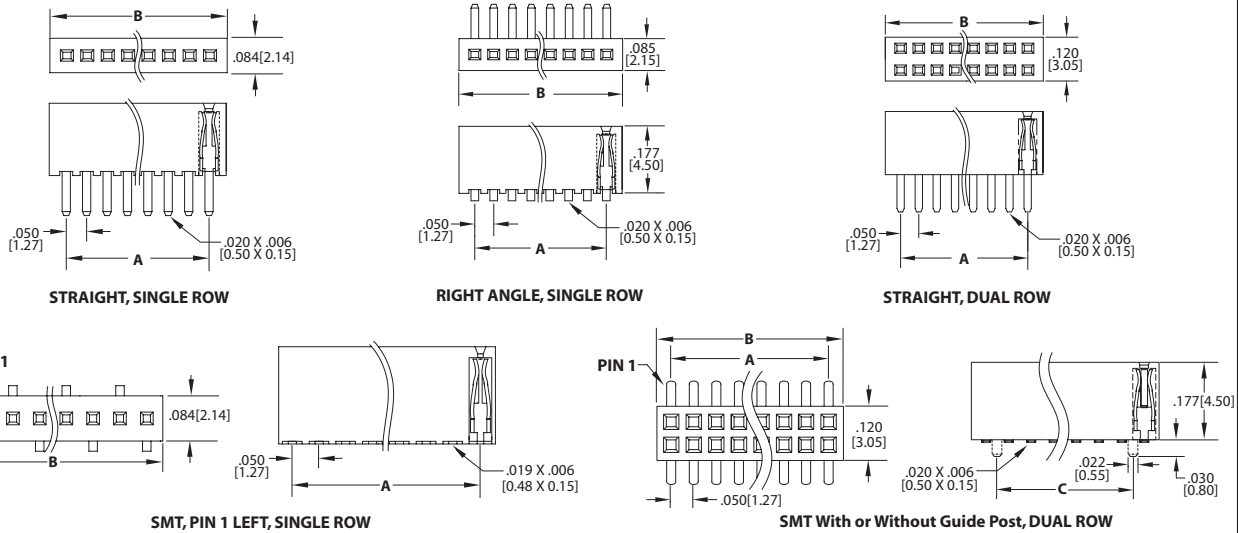
.050" [1.27mm] Contact Centers, Female Header, Dip Solder/Right Angle/SMT

PART NUMBER CODING



DIMENSIONS

Dimensions in [] are in millimeters, all others are in inches.



Positions	Number of Contacts Single/Dual	DIMENSION A		DIMENSION B		DIMENSION C	
		Inches	[mm]	Inches	[mm]	Inches	[mm]
02	2/4	.050	1.27	.115	2.92		
03	3/6	.100	2.54	.165	4.19	.050	1.27
04	4/8	.150	3.81	.215	5.46	.100	2.54
05	5/10	.200	5.08	.265	6.73	.150	3.81
06	6/12	.250	6.35	.315	8.00	.200	5.08
07	7/14	.300	7.62	.365	9.27	.250	6.35
08	8/16	.350	8.89	.415	10.54	.300	7.62
09	9/18	.400	10.16	.465	11.81	.350	8.89
10	10/20	.450	11.43	.515	13.08	.400	10.16
11	11/22	.500	12.70	.565	14.35	.450	11.43
12	12/24	.550	13.97	.615	15.62	.500	12.70
13	13/26	.600	15.24	.665	16.89	.550	13.97
14	14/28	.650	16.51	.715	18.16	.600	15.24
15	15/30	.700	17.78	.765	19.43	.650	16.51
16	16/32	.750	19.05	.815	20.70	.700	17.78
17	17/34	.800	20.32	.865	21.97	.750	19.05
18	18/36	.850	21.59	.915	23.24	.800	20.32
19	19/38	.900	22.86	.965	24.51	.850	21.59
20	20/40	.950	24.13	1.015	25.78	.900	22.86
21	21/42	1.000	25.40	1.065	27.05	.950	24.13
22	22/44	1.050	26.67	1.115	28.32	1.000	25.40
23	23/46	1.100	27.94	1.165	29.59	1.050	26.67
24	24/48	1.150	29.21	1.215	30.86	1.100	27.94
25	25/50	1.200	30.48	1.265	32.13	1.150	29.21

Positions	Number of Contacts Single/Dual	DIMENSION A		DIMENSION B		DIMENSION C	
		Inches	[mm]	Inches	[mm]	Inches	[mm]
26	26/52	1.250	31.75	1.315	33.40	1.200	30.48
27	27/54	1.300	33.02	1.365	34.67	1.250	31.75
28	28/56	1.350	34.29	1.415	35.94	1.300	33.02
29	29/58	1.400	35.56	1.465	37.21	1.350	34.29
30	30/60	1.450	36.83	1.515	38.48	1.400	35.56
31	31/62	1.500	38.10	1.565	39.75	1.450	36.83
32	32/64	1.550	39.37	1.615	41.02	1.500	38.10
33	33/66	1.600	40.64	1.665	42.29	1.550	39.37
34	34/68	1.650	41.91	1.715	43.56	1.600	40.64
35	35/70	1.700	43.18	1.765	44.83	1.650	41.91
36	36/72	1.750	44.45	1.815	46.10	1.700	43.18
37	37/74	1.800	45.72	1.865	47.37	1.750	44.45
38	38/76	1.850	46.99	1.915	48.64	1.800	45.70
39	39/78	1.900	48.26	1.965	49.91	1.850	46.99
40	40/80	1.950	49.53	2.015	51.18	1.900	48.26
41	41/82	2.000	50.80	2.065	52.45	1.950	49.53
42	42/84	2.050	52.07	2.115	53.72	2.000	50.80
43	43/86	2.100	53.34	2.165	54.99	2.050	52.07
44	44/88	2.150	54.61	2.215	56.26	2.100	53.34
45	45/90	2.200	55.88	2.265	57.53	2.150	54.61
46	46/92	2.250	57.15	2.315	58.80	2.200	55.88
47	47/94	2.300	58.42	2.365	60.07	2.250	57.15
48	48/96	2.350	59.69	2.415	61.34	2.300	58.42
49	49/98	2.400	60.96	2.465	62.61	2.350	59.69
50	50/100	2.450	62.23	2.515	63.88	2.400	60.96



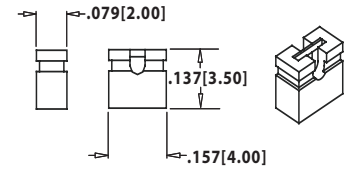
.079" [2mm] Contact Centers, Male Header
Dip Solder/Right Angle/SMT

SPECIFICATIONS

- 1 amp current rating per contact
- UL Flammability Rating: 94V-O
- Insulator: Black Thermoplastic Polyester/Nylon 6-T
- Contact Material: Brass

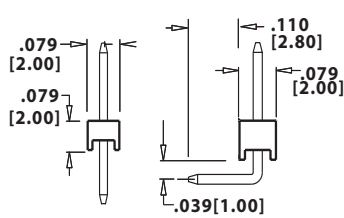


JUMPERS

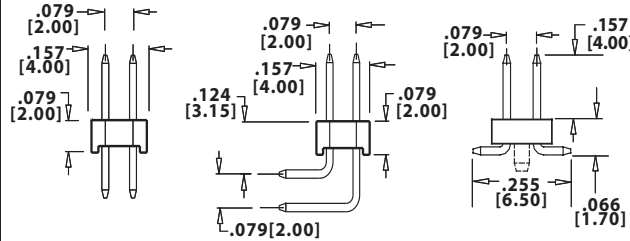


PART NUMBER:
SPN02SYBN-RC (GOLD FLASH)
STN02SYBN-RC (TIN PLATE)

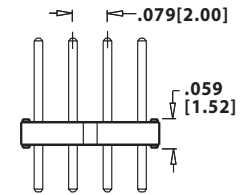
READOUT



SINGLE (1)

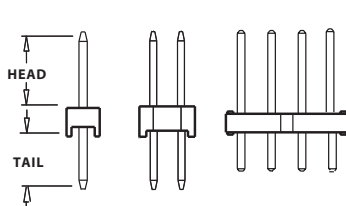


DUAL (2)

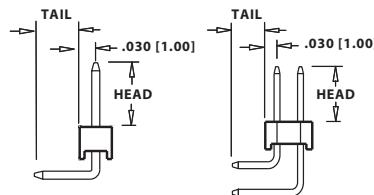


QUAD (4)

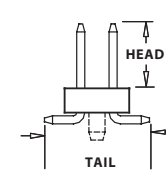
TERMINATION TYPE



STRAIGHT



RIGHT ANGLE



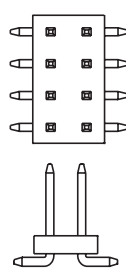
SMT

P/N CODE	ROWS	TERM	HEAD	TAIL	P/N CODE	ROWS	TERM	HEAD	TAIL	P/N CODE	ROWS	TERM	HEAD	TAIL
PAE	1	STRAIGHT	.157" [4.00]	.110" [2.80]	PAR	1	RIGHT ANGLE	.157" [4.00]	.110" [2.80]					
PAE	2	STRAIGHT	.157" [4.00]	.110" [2.80]	PAR	2	RIGHT ANGLE	.157" [4.00]	.110" [2.80]	MAM	2	SMT	.157" [4.00]	.255" [6.50]
RCC	4	STRAIGHT	.173" [4.40]	.094" [2.40]										

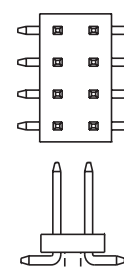
MOUNTING STYLE



No Mounting-
Default Standard (N)



Two Row SMT,
Without Guide Post (S)

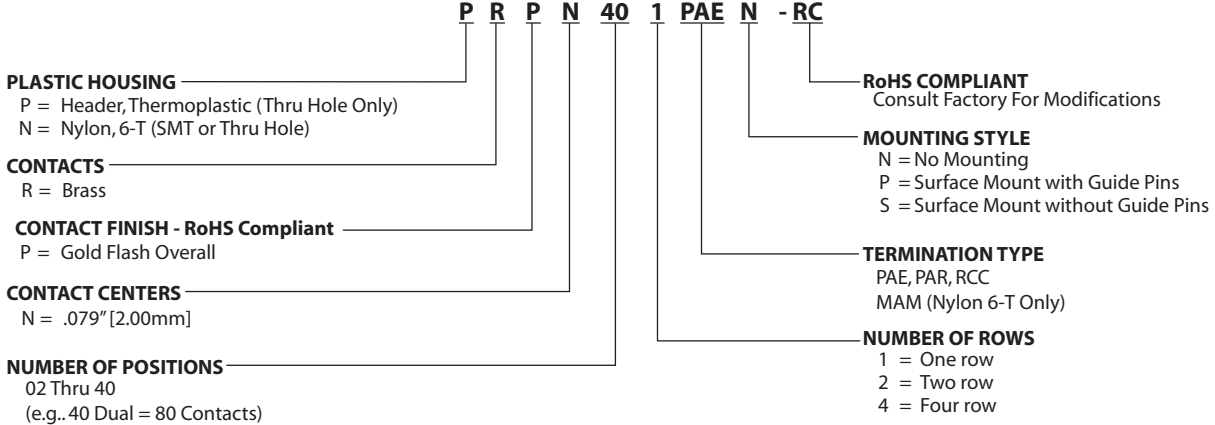


Two Row SMT,
With Guide Post (P)



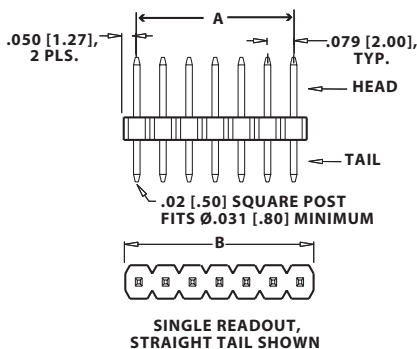
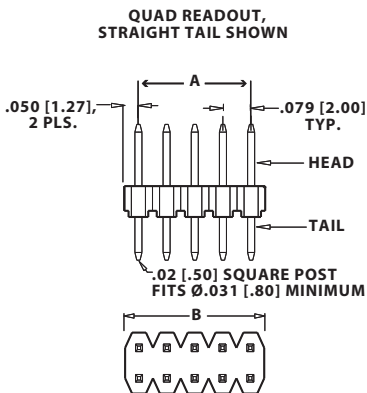
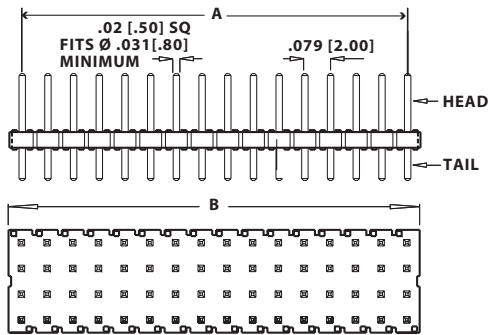
**.079" [2mm] Contact Centers, Male Header
Dip Solder/Right Angle/SMT**

PART NUMBER CODING



DIMENSIONS

Dimensions in [] are in millimeters, all others are in inches.



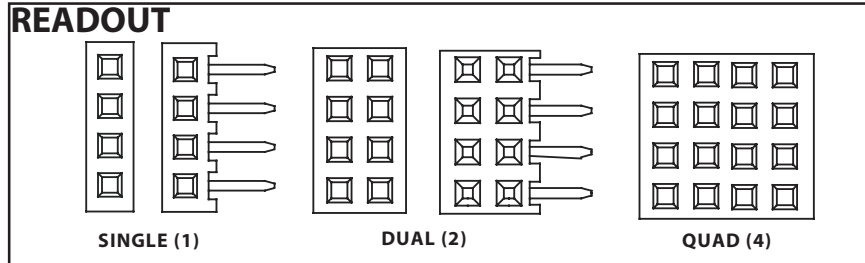
PART NUMBER	NUMBER OF CONTACTS SINGLE/DUAL/QUAD	DIMENSION A		DIMENSION B	
		INCHES	[MM]	INCHES	[MM]
_ RPN02 ___ N-RC	02/04	0.079	2.00	0.157	4.00
_ RPN03 ___ N-RC	03/06	0.157	4.00	0.236	6.00
_ RPN04 ___ N-RC	04/08	0.236	6.00	0.315	8.00
_ RPN05 ___ N-RC	05/10	0.315	8.00	0.394	10.00
_ RPN06 ___ N-RC	06/12/24	0.394	10.00	0.472	12.00
_ RPN07 ___ N-RC	07/14	0.472	12.00	0.551	14.00
_ RPN08 ___ N-RC	08/16	0.551	14.00	0.630	16.00
_ RPN09 ___ N-RC	09/18	0.630	16.00	0.709	18.00
_ RPN10 ___ N-RC	10/20/40	0.709	18.00	0.787	20.00
_ RPN11 ___ N-RC	11/22	0.787	20.00	0.866	22.00
_ RPN12 ___ N-RC	12/24/44	0.866	22.00	0.945	24.00
_ RPN13 ___ N-RC	13/26	0.945	24.00	1.024	26.00
_ RPN14 ___ N-RC	14/28	1.024	26.00	1.102	28.00
_ RPN15 ___ N-RC	15/30/60	1.102	28.00	1.181	30.00
_ RPN16 ___ N-RC	16/32	1.181	30.00	1.260	32.00
_ RPN17 ___ N-RC	17/34	1.260	32.00	1.339	34.00
_ RPN18 ___ N-RC	18/36/72	1.339	34.00	1.417	36.00
_ RPN19 ___ N-RC	19/38	1.417	36.00	1.496	38.00
_ RPN20 ___ N-RC	20/40	1.496	38.00	1.575	40.00
_ RPN21 ___ N-RC	21/42/84	1.575	40.00	1.654	42.00
_ RPN22 ___ N-RC	22/44	1.654	42.00	1.732	44.00
_ RPN23 ___ N-RC	23/46	1.732	44.00	1.811	46.00
_ RPN24 ___ N-RC	24/48/96	1.811	46.00	1.890	48.00
_ RPN25 ___ N-RC	25/50	1.890	48.00	1.969	50.00
_ RPN26 ___ N-RC	26/52	1.969	50.00	2.047	52.00
_ RPN27 ___ N-RC	27/54	2.047	52.00	2.126	54.00
_ RPN28 ___ N-RC	28/56	2.126	54.00	2.205	56.00
_ RPN29 ___ N-RC	29/58	2.205	56.00	2.283	58.00
_ RPN30 ___ N-RC	30/60/120	2.283	58.00	2.362	60.00
_ RPN31 ___ N-RC	31/62	2.362	60.00	2.441	62.00
_ RPN32 ___ N-RC	32/64	2.441	62.00	2.520	64.00
_ RPN33 ___ N-RC	33/66	2.520	64.00	2.598	66.00
_ RPN34 ___ N-RC	34/68	2.598	66.00	2.677	68.00
_ RPN35 ___ N-RC	35/70	2.677	68.00	2.756	70.00
_ RPN36 ___ N-RC	36/72	2.756	70.00	2.835	72.00
_ RPN37 ___ N-RC	37/74	2.835	72.00	2.913	74.00
_ RPN38 ___ N-RC	38/76	2.913	74.00	2.992	76.00
_ RPN39 ___ N-RC	39/78	2.992	76.00	3.071	78.00
_ RPN40 ___ N-RC	40/80	3.071	78.00	3.150	80.00



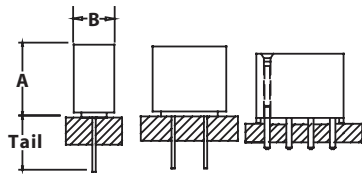
**.079" [2mm] Contact Centers, Female Header
Dip Solder/Right Angle/SMT**

SPECIFICATIONS

- 1 amp current rating per contact
- UL Flammability Rating: 94V-O
- Insulator: Black Thermoplastic Polyester/Nylon 6-T
- Contact Material: Phosphor Bronze

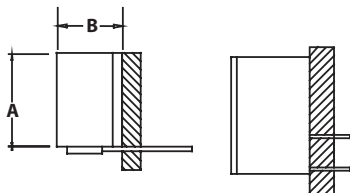


TERMINATION TYPE



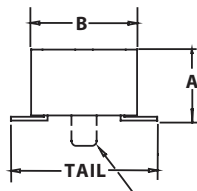
STRAIGHT

P/N CODE	ROWS	TERM	A	B	TAIL
BFC	1	STRAIGHT	.170 [4.30]	.094 [2.40]	.094 [2.40]
AFC	2	STRAIGHT	.170 [4.30]	.157 [4.00]	.094 [2.40]
AFE	2	STRAIGHT	1.70 [4.30]	.157 [4.00]	.110 [2.80]
EFC	4	STRAIGHT	.248 [6.30]	.315 [8.00]	.094 [2.40]



RIGHT ANGLE

P/N CODE	ROWS	TERM	A	B	TAIL
FGG	1	RIGHT ANGLE	.169 [4.30]	.110 [2.80]	.122 [3.10]
FJF	2	RIGHT ANGLE	.285 [7.20]	.191 [4.85]	.118 [3.00]

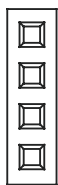


SMT

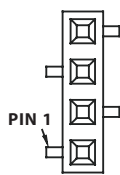
P/N CODE	ROWS	TERM	A	B	TAIL
BFL	1	SMT	.181 [4.60]	.094 [2.40]	.157 [4.00]
GFN	2	SMT	.110 [2.80]	.165 [4.20]	.228 [5.80]
GHN	Replaced by GFN				
FFK	2	SMT	.173 [4.40]	.157 [4.00]	.228 [5.80]

Refer to Mounting Style

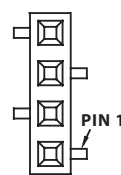
MOUNTING STYLE



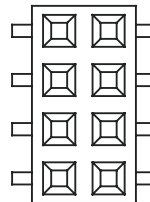
**No Mounting-
Standard (N)**



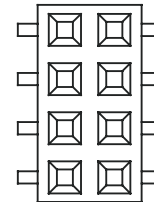
**One Row SMT,
Pin 1 Left (C)**



**One Row SMT,
Pin 1 Right (D)**



**Two Row SMT,
Without Guide Posts (S)**



**Two Row SMT,
With Guide Post (P)**



**.079"[2mm] Contact Centers, Female Header
Dip Solder/Right Angle/SMT**

PART NUMBER CODING

PP P N 40 1 BFC N -RC

PLASTIC HOUSING
 PP = Thermoplastic/Phosphor Bronze (Thru Hole Only)
 NP = Nylon 6-T/Phosphor Bronze (SMT or Thru Hole)

CONTACT FINISH - RoHS Compliant
 Contact Termination
 P = Gold Flash Gold Flash (For 1 and 2 Row)
 R = .000020 GOLD .00010 TIN (For 4 row)

CONTACT CENTERS
 N = .079" [2.00mm]

NUMBER OF POSITIONS
 01 to 40
 (e.g. 40 Dual = 80 Contacts)

NUMBER OF ROWS (Opposite Page)
 1 = One Row
 2 = Two Row
 4 = Four Row

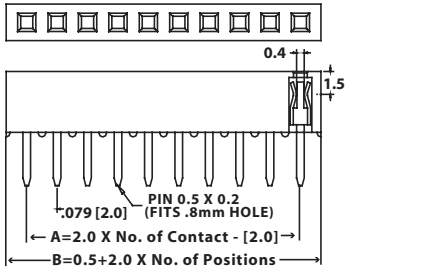
RoHS COMPLIANT
 Consult Factory For Modifications

MOUNTING STYLE
 N = No Mounting
 C = SMT, Single row female, pin 1 Left
 D = SMT, Single row female, pin 1 Right
 P = Surface mount with guide pins
 S = Surface mount without guide pins

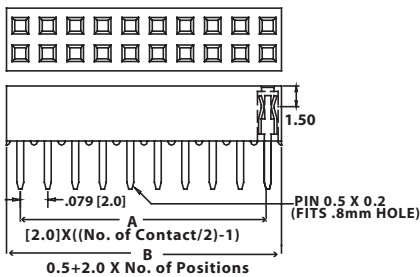
TERMINATION TYPE (Opposite Page)
 BFC = Thru Hole Top Entry
 AFC = Thru Hole Top Entry
 AFE = Thru Hole Top Entry/Closed Bottom
 EFC = Thru Hole Top Entry
 FGG = R/A Top Entry
 FJF = R/A Top Entry
 BFL = SMT Bottom Entry (Nylon 6-T only)
 FFK = SMT Bottom Entry (Nylon 6-T only)
 GFN = SMT Top/Bottom Entry (Nylon 6-T only)
 GHN = SMT Replaced by GFN

DIMENSIONS

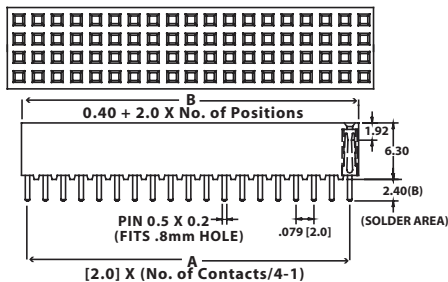
Dimensions in [] are in millimeters, all others are in inches.



**SINGLE READOUT,
STRAIGHT TAIL SHOWN**



**DUAL READOUT,
STRAIGHT TAIL SHOWN**



**QUAD READOUT,
STRAIGHT TAIL SHOWN**

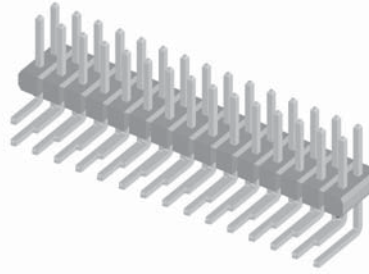
PART NUMBER	NUMBER OF CONTACTS SINGLE/DUAL/ QUAD	CENTER TO CENTER LENGTH [A]		OVERALL LENGTH [B]	
		INCHES	[MM]	INCHES	[MM]
_ PPN01 _ N-RC	01/02			0.079	2.00
_ PPN02 _ N-RC	02/04	0.079	2.00	0.157	4.00
_ PPN03 _ N-RC	03/06	0.157	4.00	0.236	6.00
_ PPN04 _ N-RC	04/08	0.236	6.00	0.315	8.00
_ PPN05 _ N-RC	05/10	0.315	8.00	0.394	10.00
_ PPN06 _ N-RC	06/12/24	0.394	10.00	0.472	12.00
_ PPN07 _ N-RC	07/14	0.472	12.00	0.551	14.00
_ PPN08 _ N-RC	08/16	0.551	14.00	0.630	16.00
_ PPN09 _ N-RC	09/18	0.630	16.00	0.709	18.00
_ PPN10 _ N-RC	10/20/40	0.709	18.00	0.787	20.00
_ PPN11 _ N-RC	11/22	0.787	20.00	0.866	22.00
_ PPN12 _ N-RC	12/24/44	0.866	22.00	0.945	24.00
_ PPN13 _ N-RC	13/26	0.945	24.00	1.024	26.00
_ PPN14 _ N-RC	14/28	1.024	26.00	1.102	28.00
_ PPN15 _ N-RC	15/30/60	1.102	28.00	1.181	30.00
_ PPN16 _ N-RC	16/32	1.181	30.00	1.260	32.00
_ PPN17 _ N-RC	17/34	1.260	32.00	1.339	34.00
_ PPN18 _ N-RC	18/36	1.339	34.00	1.417	36.00
_ PPN19 _ N-RC	19/38	1.417	36.00	1.496	38.00
_ PPN20 _ N-RC	20/40	1.496	38.00	1.575	40.00
_ PPN21 _ N-RC	21/42/84	1.575	40.00	1.654	42.00
_ PPN22 _ N-RC	22/44	1.654	42.00	1.732	44.00
_ PPN23 _ N-RC	23/46	1.732	44.00	1.811	46.00
_ PPN24 _ N-RC	24/48/96	1.811	46.00	1.890	48.00
_ PPN25 _ N-RC	25/50	1.890	48.00	1.969	50.00
_ PPN26 _ N-RC	26/52	1.969	50.00	2.047	52.00
_ PPN27 _ N-RC	27/54	2.047	52.00	2.126	54.00
_ PPN28 _ N-RC	28/56	2.126	54.00	2.205	56.00
_ PPN29 _ N-RC	29/58	2.205	56.00	2.283	58.00
_ PPN30 _ N-RC	30/60/120	2.283	58.00	2.362	60.00
_ PPN31 _ N-RC	31/62	2.362	60.00	2.441	62.00
_ PPN32 _ N-RC	32/64	2.441	62.00	2.520	64.00
_ PPN33 _ N-RC	33/66	2.520	64.00	2.598	66.00
_ PPN34 _ N-RC	34/68	2.598	66.00	2.677	68.00
_ PPN35 _ N-RC	35/70	2.677	68.00	2.756	70.00
_ PPN36 _ N-RC	36/72	2.756	70.00	2.835	72.00
_ PPN37 _ N-RC	37/74	2.835	72.00	2.913	74.00
_ PPN38 _ N-RC	38/76	2.913	74.00	2.992	76.00
_ PPN39 _ N-RC	39/78	2.992	76.00	3.071	78.00
_ PPN40 _ N-RC	40/80	3.071	78.00	3.150	80.00



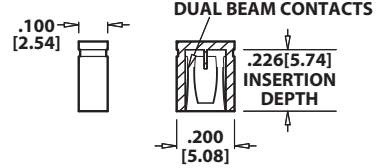
**.100"[2.54mm] Contact Centers, Male Breakaway Header
Dip Solder/Right Angle/SMT**

SPECIFICATIONS

- 3 amp current rating per contact
- UL Flammability Rating: 94V-O
- Insulator: Polyester, PA9T
- Contact Material: Copper Alloy



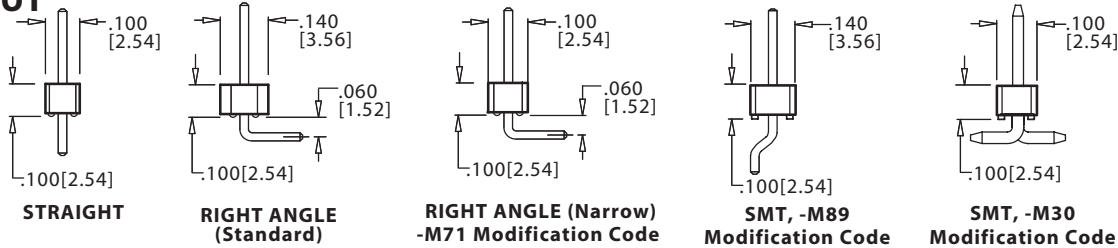
JUMPERS



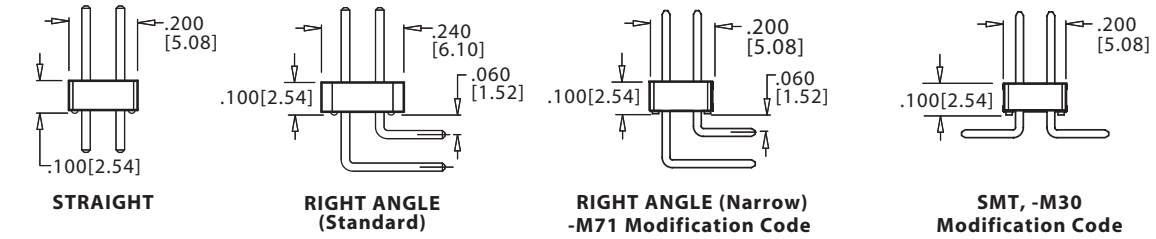
PART NUMBER:
STC02SYAN (TIN PLATE)
SPC02SYAN (GOLD FLASH)
SSC02SYAN (0.00001" GOLD PLATE)

READOUT

SINGLE ROW (S)



DUAL ROW (D)



TERMINATION TYPE

STRAIGHT TERMINATIONS

P/N CODE	HEAD DIMENSION	TAIL DIMENSION
AA	.230 [5.84]	.120 [3.05]
AB	.230 [5.84]	.230 [5.84]
AC	.230 [5.84]	.320 [8.13]
AD	.230 [5.84]	.420 [10.67]
AE	.230 [5.84]	.520 [13.21]
AF	.230 [5.84]	.620 [15.75]
AG	.230 [5.84]	.720 [18.29]
AH	.230 [5.84]	.820 [20.83]
FA	.318 [8.08]	.120 [3.05]
FB	.318 [8.08]	.220 [5.59]
FC	.318 [8.08]	.320 [8.13]
FD	.318 [8.08]	.420 [10.67]
FE	.318 [8.08]	.520 [13.21]
ZA	.120 [3.05]	.120 [3.05]
ZC	.120 [3.05]	.260 [6.60]
ZD	.120 [3.05]	.610 [15.49]

SMT TERMINATIONS, Single Row with -M89 Modification Code, ('G' Material Only)

P/N CODE	HEAD DIMENSION	TAIL DIMENSION
BS	.230 [5.84]	.180 [4.57]
GS	.318 [8.08]	.180 [4.57]

RIGHT ANGLE BEND TERMINATIONS

P/N CODE	HEAD DIMENSION	TAIL DIMENSION	-M71 TAIL DIMENSION
BA	.230 [5.84]	.100 [2.54]	.120 [3.05]
BB	.230 [5.84]	.200 [5.08]	.220 [5.59]
BC	.230 [5.84]	.300 [7.62]	.320 [8.13]
BD	.230 [5.84]	.400 [10.16]	.420 [10.67]
BE	.230 [5.84]	.500 [12.70]	.520 [13.21]
BF**	.230 [5.84]	.600 [15.24]	
BG**	.230 [5.84]	.700 [17.78]	
GA	.318 [8.08]	.100 [2.54]	.120 [3.05]
GB	.318 [8.08]	.200 [5.08]	.220 [5.59]
GC**	.318 [8.08]	.300 [7.62]	
GD**	.318 [8.08]	.400 [10.16]	

**Consult Factory for availability in Dual Readout.

SMT TERMINATIONS, Single or Dual Row with -M30 Modification Code, ('G' Material Only)

P/N CODE	HEAD DIMENSION	SINGLE ROW TAIL DIMENSION	DUAL ROW TAIL DIMENSION
AB	.230 [5.84]	.320 [8.13]	.420 [10.67]
FB	.318 [8.08]	.300 [7.62]	.400 [10.16]



**.100" [2.54mm] Contact Centers, Male Breakaway Header
Dip Solder/Right Angle/SMT**

PART NUMBER CODING

SERIES ————— **P B C 36 D AA N - Mxxx**

P = PBT/Phosphor Bronze
Operating Temperature: -65°C to + 125°C
Processing Temperature: 260° for 10 sec. Max.

G = PA9T/Phosphor Bronze
Operating Temperature: -65°C to + 125°C
Processing Temperature: 260° for 120 sec. Max.

CONTACT FINISH - RoHS Compliant —————

All platings are Lead Free and have .000050" Nickel underplate

Contact Surface	Termination
B = .000010" Gold	.000100" Pure Tin, Matte
C = .000030" Gold	.000100" Pure Tin, Matte
Contact Surface	Overall Plating
E = .000010" Pure Tin, Matte	.000100" Pure Tin, Matte

CONTACT CENTERS —————

C = .100" [2.54mm]

NUMBER OF POSITIONS —————

01 Thru 36 (eg. 32 Dual = 64 Contacts)

MODIFICATION CODE (Consult Factory)
OMIT FOR STANDARD
-M30 = SMT ('G' Material Only)
-M89 = SMT ('G' Material Only)
-M71 = Narrow Body (Right Angle Only)

MOUNTING STYLE
N =No Mounting
R =Retent Lead (Consult Factory)

TERMINATION TYPE (Opposite Page)

Straight = AA, AB, AC, AD, AE, AF, AG, AH, FA, FB, FC, FD, FE, ZA, ZC, ZD

Right Angle = BA, BB, BC, BD, BE, BF, BG, GA, GB, GC, GD, GS

Right Angle with -M71 Modification Code
= BA, BB, BC, BD, BE, GA, GB

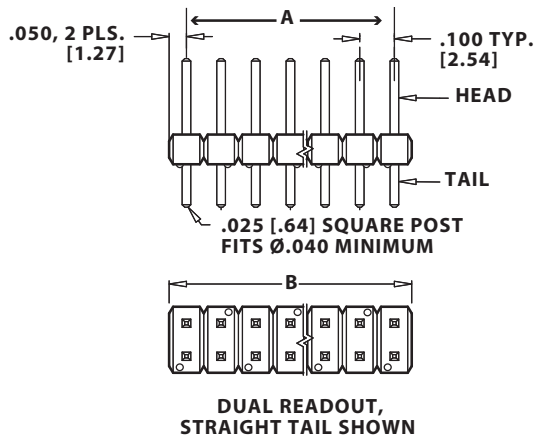
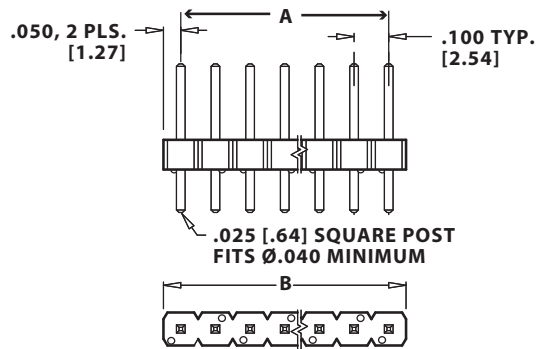
SMT with -M89 Modification Code
= BS, GS ('G' Material Only)

SMT with -M30 Modification Code
= AB, FB ('G' Material Only)

READOUT (Opposite Page)
S = Single
D = Dual

DIMENSIONS

Dimensions in [] are in millimeters, all others are in inches.



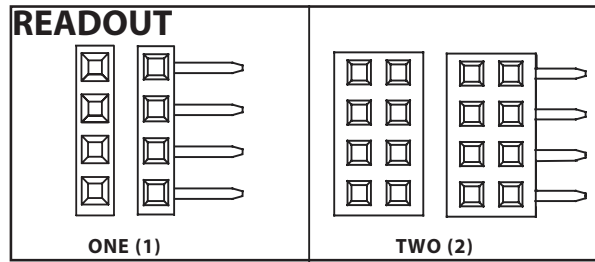
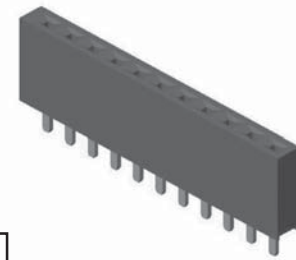
PART NUMBER	NUMBER OF CONTACTS SINGLE/DUAL	A		B	
		Inches	[MM]	Inches	[MM]
P_C01__N	01/02	N/A	N/A	0.100	2.54
P_C02__N	02/04	0.100	2.54	0.200	5.08
P_C03__N	03/06	0.200	5.08	0.300	7.62
P_C04__N	04/08	0.300	7.62	0.400	10.16
P_C05__N	05/10	0.400	10.16	0.500	12.70
P_C06__N	06/12	0.500	12.70	0.600	15.24
P_C07__N	07/14	0.600	15.24	0.700	17.78
P_C08__N	08/16	0.700	17.78	0.800	20.32
P_C09__N	09/18	0.800	20.32	0.900	22.86
P_C10__N	10/20	0.900	22.86	1.000	25.40
P_C11__N	11/22	1.000	25.40	1.100	27.94
P_C12__N	12/24	1.100	27.94	1.200	30.48
P_C13__N	13/26	1.200	30.48	1.300	33.02
P_C14__N	14/28	1.300	33.02	1.400	35.56
P_C15__N	15/30	1.400	35.56	1.500	38.10
P_C16__N	16/32	1.500	38.10	1.600	40.64
P_C17__N	17/34	1.600	40.64	1.700	43.18
P_C18__N	18/36	1.700	43.18	1.800	45.72
P_C19__N	19/38	1.800	45.72	1.900	48.26
P_C20__N	20/40	1.900	48.26	2.000	50.80
P_C21__N	21/42	2.000	50.80	2.100	53.34
P_C22__N	22/44	2.100	53.34	2.200	55.88
P_C23__N	23/46	2.200	55.88	2.300	58.42
P_C24__N	24/48	2.300	58.42	2.400	60.96
P_C25__N	25/50	2.400	60.96	2.500	63.50
P_C26__N	26/52	2.500	63.50	2.600	66.04
P_C27__N	27/54	2.600	66.04	2.700	68.58
P_C28__N	28/56	2.700	68.58	2.800	71.12
P_C29__N	29/58	2.800	71.12	2.900	73.66
P_C30__N	30/60	2.900	73.66	3.000	76.20
P_C31__N	31/62	3.000	76.20	3.100	78.74
P_C32__N	32/64	3.100	78.74	3.200	81.28
P_C33__N	33/66	3.200	81.28	3.300	83.82
P_C34__N	34/68	3.300	83.82	3.400	86.36
P_C35__N	35/70	3.400	86.36	3.500	88.90
P_C36__N	36/72	3.500	88.90	3.600	91.44



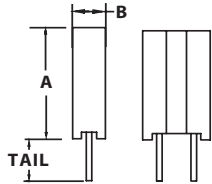
**.100"[2.54mm] Contact Centers, Female Header
Dip Solder/Right Angle/SMT**

SPECIFICATIONS

- 3 amp current rating per contact
- UL Flammability Rating : 94V-O
- Insulator : Nylon 6-T/Polyester
- Contact Material : Phosphor Bronze

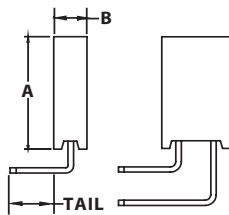


TERMINATION TYPE



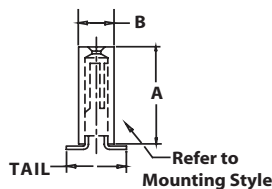
STRAIGHT

P/N CODE	ROWS	TERM	A	B	TAIL
LFB	1	STRAIGHT	.334 [8.50]	.094 [2.50]	.125 [3.20]
	2	STRAIGHT	.334 [8.50]	.197 [5.00]	.125 [3.20]



RIGHT ANGLE

P/N CODE	ROWS	TERM	A	B	TAIL
LGB	1	RIGHT ANGLE	.334 [8.50]	0.094 [2.40]	.125 [3.15]
LJB	2	RIGHT ANGLE	.334 [8.50]	0.197 [5.00]	.125 [3.15]



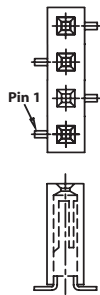
SMT

P/N CODE	ROWS	TERM	ENTRY	A	B	TAIL
KFX	1	SMT	TOP ENTRY	.279 [7.10]	.098 [2.50]	.169 [4.30]
KFM	2	SMT	TOP ENTRY	.279 [7.10]	.197 [5.00]	.265 [6.80]

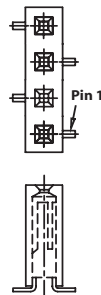
MOUNTING STYLE



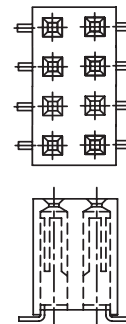
No Mounting Standard (N)



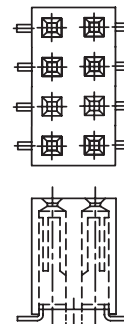
One Row SMT, Pin 1 Left (C)



One Row SMT, Pin 1 Right (D)



Two Row SMT, Without Guide Post (S)

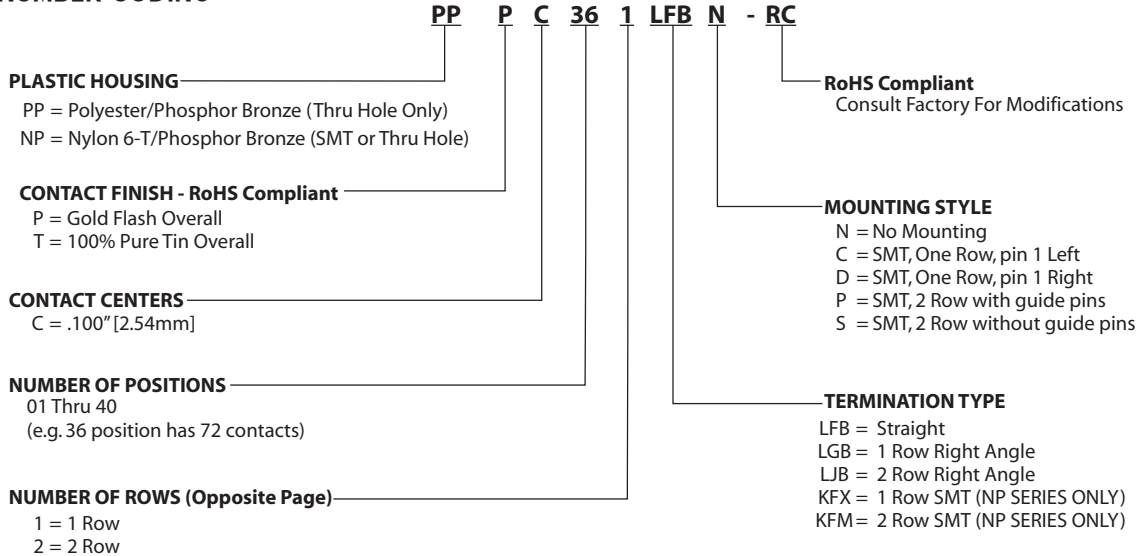


Two Row SMT, With Guide Post (P)



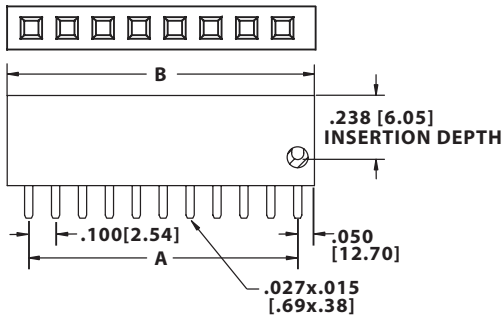
**.100" [2.54mm] Contact Centers, Female Header
Dip Solder/Right Angle/SMT**

PART NUMBER CODING

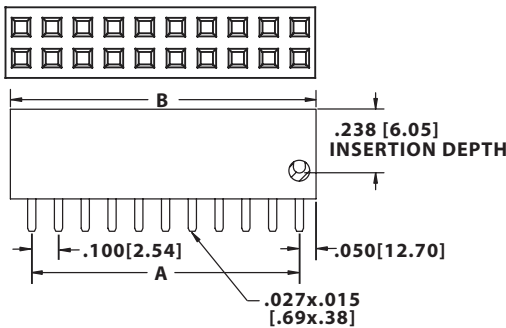


DIMENSIONS

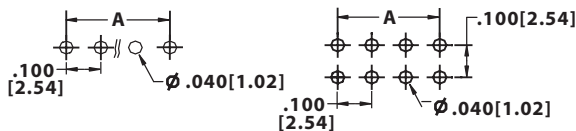
Dimensions in [] are in millimeters, all others are in inches.



**SINGLE READOUT,
STRAIGHT TAIL SHOWN**



**DUAL READOUT,
STRAIGHT TAIL SHOWN**



**Recommended P.C. Board
Hole Layout**

Number of Positions	Number of Contacts		Dimension A		Dimension B	
	1 Row	2 Row	Inches	[mm]	Inches	[mm]
01	1	2				
02	2	4	.100	2.54	.220	5.58
03	3	6	.200	5.08	.320	8.12
04	4	8	.300	7.62	.420	10.66
05	5	10	.400	10.16	.520	13.20
06	6	12	.500	12.70	.620	15.74
07	7	14	.600	15.24	.720	18.28
08	8	16	.700	17.78	.820	20.82
09	9	18	.800	20.32	.920	23.36
10	10	20	.900	22.86	1.020	25.90
11	11	22	1.000	25.40	1.120	28.44
12	12	24	1.100	27.94	1.220	30.98
13	13	26	1.200	30.48	1.320	33.52
14	14	28	1.300	33.02	1.420	36.06
15	15	30	1.400	35.56	1.520	38.60
16	16	32	1.500	38.10	1.620	41.14
17	17	34	1.600	40.64	1.720	43.68
18	18	36	1.700	43.18	1.820	46.22
19	19	38	1.800	45.72	1.920	48.76
20	20	40	1.900	48.26	2.020	51.30
21	21	42	2.000	50.80	2.120	53.84
22	22	44	2.100	53.34	2.220	56.38
23	23	46	2.200	55.88	2.320	58.92
24	24	48	2.300	58.42	2.420	61.46
25	25	50	2.400	60.96	2.520	64.00
26	26	52	2.500	63.50	2.620	66.54
27	27	54	2.600	66.04	2.720	69.08
28	28	56	2.700	68.58	2.820	71.62
29	29	58	2.800	71.12	2.920	74.16
30	30	60	2.900	73.66	3.020	76.70
31	31	62	3.000	76.20	3.120	79.24
32	32	64	3.100	78.74	3.220	81.78
33	33	66	3.200	81.28	3.320	84.32
34	34	68	3.300	83.82	3.420	86.86
35	35	70	3.400	86.36	3.520	89.40
36	36	72	3.500	88.90	3.620	91.94
37	37	74	3.600	91.44	3.720	94.48
38	38	76	3.700	93.98	3.820	97.02
39	39	78	3.800	96.52	3.920	99.56
40	40	80	3.900	99.06	4.020	102.10



GENERAL SPECIFICATIONS

RoHS COMPLIANT



RoHS
COMPLIANT

All parts are currently manufactured with recommended materials to meet RoHS standards. All contacts have 50u" of nickel underplating, and a large selection of plating options: Pure tin matte, overall gold, or selective gold plating. For complete part number information or operating/processing temperature parameters, visit the RoHS section of our website, or refer to page 83 of this catalog.

MATERIALS

To determine Assembly Operating Temperature, take the lower of two temperatures

Insulator:			Operating Temperature	Processing Temperature
Standard	PBT, Valox*	Glass filled Thermoplastic Polyester	-65°C to +130°C	260°C / 10 Seconds
Special	PPS, Ryton*	Glass/Mineral filled Polyphenylene Sulfide, Green	-65°C to +220°C	260°C / 120 Seconds
Special	PPS, Ryton*	Glass filled Polyphenylene Sulfide, Brown	-65°C to +200°C	260°C / 120 Seconds
Special	PA9T	High Temperature Polyamide	-65°C to +150°C	260°C / 120 Seconds
Special	Peek	Glass filled Polyetheretherketone	-65°C to +250°C	

Contacts:

Standard	Phosphor Bronze (Available in All Contact Styles)	-65°C to +125°C
Special	Beryllium Copper (Consult Factory)	-65°C to +150°C
Special	Spinodal** (Consult Factory)	-65°C to +200°C
Special	Beryllium Nickel (Consult Factory)	-65°C to +300°C

Plating:

Gold and/or Tin over .000050" Nickel Underplate, Lead Free

UL/CUL File Number: E64287 Section 2

Cage Code: 31223

* Or equivalent.

** Consult factory for special soldering guidelines.

MECHANICAL

Board Insertion Force 16 oz Maximum per contact pair using .062"[1.58mm] thick steel test blade

Board Withdrawal Force 1 oz Minimum per contact pair using .062"[1.58mm] thick steel test blade

Special Insertion/Withdrawal forces available upon request

ELECTRICAL PERFORMANCE (Per Mil-C-21097C)

Insulation Resistance: 5,000 Mega Ohm

Dielectric Withstanding Voltage

Contact Centers:	.100"[2.54mm]	.125"[3.18mm]	.150"[3.81mm]	.156"[3.96mm]
Voltage:	600 VDC	800 VDC	1500 VDC	1800 VDC
	750 VAC	750 VAC	900 VAC	950 VAC

Current Rating: 3 to 5 ampers (amps) per contact

Voltage Drop: 30 Milli volt at rated current

Contact Resistance: 30 Milli ohm maximum at rated current

Registered Trademarks

Sabic Innovative Plastics: Valox

Phillips 66: Ryton

RTP Compounder: PEEK

Sullins Electronics: Sullins

Gardner-Denver Co.: Wire Wrap

Ametek: Spinodal

Underwriters Labs: UL

Sullins Electronics: Zero Lead Time



MP - 0 100 - 22 - D W - 5 xxx

PLATING - RoHS Compliant

ALL PLATINGS ARE LEAD FREE AND HAVE
.000050" NICKEL UNDERPLATE

	Contact Surface	Termination
*MPSL =	.000010" Gold	.000100" Pure Tin Matte
*EMPSL =	.000010" Gold	.000100" Pure Tin Matte
*MPL =	.000100" Overall Pure Tin, Matte	
*EMPL =	.000100" Overall Pure Tin, Matte	
MP =	.000010" Overall Gold	
EMP =	.000010" Overall Gold	
MPP =	Spinodal Contact Material (Overall Gold Only)	
EMPP =	Spinodal Contact Material (Overall Gold Only)	

*** Requires 'K' Modification Code**

Platings that start with 'E' are for Economy Eyelet Only
Other Plating and thicknesses available upon request.

INSULATOR MATERIAL

All Materials are U.L. Approved 94V-0

0 =	PBT, Blue
1 =	PPS, Brown
2 =	PBT, Green
3 =	PBT, Black
4 =	PA9T, Black
5 =	PPS, Black
6 =	PPS, Green
7 =	PPS, Brown
8 =	Peek, Natural

CONTACT CENTERS

100 =	.100" [2.54mm]
125 =	.125" [3.18mm]
150 =	.150" [3.84mm]
156 =	.156" [3.96mm]

NUMBER OF POSITIONS

02 - 70 Contacts Per Row

READOUT

D = Dual Row

TERMINATION TYPE

FS =	.045" Square Tails - .720" Insulator Height
P =	Solder Eyelet - .431" Insulator Height
PE =	Economy Eyelet - .431" Insulator Height, Card Extender, .156" only
R =	.026" Round Tails - .610" Insulator Height,
S =	Dip Solder - .431" Insulator Height
SE =	Card Extender - .431" Insulator Height
W =	.025" Square Wire Wrap - .610" Insulator Height
WE =	.025" Square Card Extender - .610" Insulator Height

MOUNTING STYLE

- 1 = **.125" Clearance Holes**
.245" Ears, .431" Insulator Height
.250" Flush Ears, .610" Insulator Height
- 2 = **#4-40 Threaded Insert**
.245" Ears, .431" Insulator Height
.250" Flush Ears, .610" Insulator Height
- 3 = **Floating Bobbin**
.220" Ears not Including Bobbin on All Connectors (Flush Ears on .610 Insulator Height)
- 4 = **No Mounting Ears**
All Connectors
- 5 = **Raised with .125" Clearance Holes**
Wire Wrap Only, .610" Insulator Height
- 6 = **Raised with #4-40 Threaded Insert**
Wire Wrap Only, .610" Insulator Height
- 8 = **.125" Side Holes (Cross Drilled)**
- 9 = **One Ear, .125" Clearance Hole**
Dip Solder & Eyelet
- 10 = **One Ear, #4-40 Threaded Insert**
Dip Solder & Eyelet
- 11 = **.142" Mounting Holes**
.431" Insulator Height, Dip Solder, Eyelet
.610" Insulator Height, Wire Wrap
- 12 = **.128" Clearance Holes**
.431" Insulator Height, Dip Solder & Eyelet
.610" Insulator Height, Wire Wrap
- 13 = **Flush Ears, .128" Clearance Holes**
.430" Ears with Pad on .610" Insulator Height, Wire Wrap Only
- 14 = **.142" Side Holes (Cross Drilled)**
.431" Insulator Height, Dip Solder, Eyelet
.610" Insulator Height, Wire Wrap
- 15 = **Flush Ears, .125" Clearance Holes**
.190" Ears, No Pad
.610" Insulator Height, Wire Wrap Only
- 16 = **Flush .250" Ears to top of the Card Entry Side of the Connector,**
.610" Insulator Height, Wire Wrap Only
- 18 = **Flush Ears, .125" Side Holes (Cross Drilled)**
- 19 = **.152" Clearance Holes**
.610" Insulator Height, Wire Wrap Only
- 58 = **Raised Ears, .125" Side Holes (Cross Drilled)**
- 81 = **Flush Ears, .125" Side Holes**
.250" Ears with Pad, .610" Insulator Height, Wire Wrap
- 86 = **Side Holes with #4-40 Threaded Insert**
.250" Ears with Pad, .610" Insulator Height

MODIFICATION CODE

CONSULT FACTORY FOR OTHER OPTIONS

- A = **Contacts Loaded one side only**
- B = **Center Barrier for 28/56 - .156" Dip Solder & Eyelet**
- C = **.030" Longer Cardslot and Mounting Hole Centers for 22/44, All .156" (Consult Factory)**
- D = **.000050" Gold Plating - (Consult Factory)**
- E9 = **.200" Row Spacing on .156" Contact Centers**
- F = **6.802" Cardslot for 43/86 .156" Eyelet & Wire Wrap Only**
- F9 = **6.802" Cardslot and .200" Row Spacing for 43/86 Dip Solder Only**
- G = **.000030" Gold Plating**
- H = **.190" Contact Length for .025" Square & .026" Round Contacts .250" Contact Length without Standoffs**
- J = **Low Insertion Force**
- K = **MPSL - Selective Gold with Pure Tin, Matte Plating on Tails**
MPL - Overall Pure Tin, Matte
- L = **.140" Contact Length for .156" Dip Solder Only**
- M = **Pad on Bottom of Mounting Ears for .156", .431" Insulator Height, Dip Solder & Eyelet Only**
- N = **Hi-light Contact ID on Bottom (Consult Factory)**
- P = **Engraving Reversed (Consult Factory)**
- Q = **Right Angle Connector Contacts Untrimmed (Requires 'R' Modification Code)**
- R = **Right Angle Connectors**
- S = **Shorter Overall Length**
- T = **Center Standoffs Removed .100" & .125" Wire Wrap Only**
- TT = **No Standoffs**
- U = **.000020" Gold Plating**
- X9 = **.200" Row Spacing for .100" & .156" Dip Solder Only .250" Row Spacing for .125" Dip Solder Only**
- Y = **Beryllium Copper Contacts**
- Z = **Standoffs on .156" Wire Wrap**

See applicable specification pages for more information.

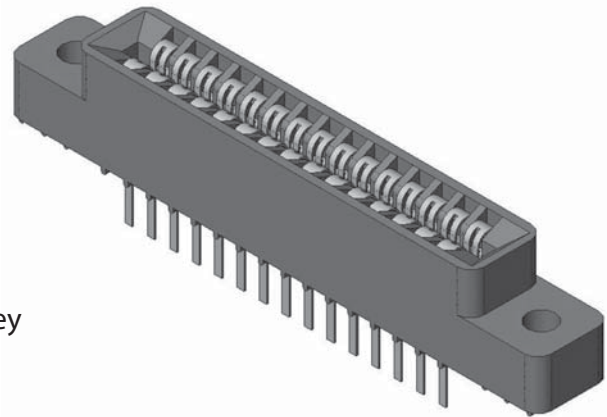
Specifications are subject to change without notice.



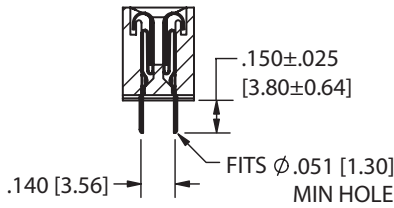
**.100" Contact Centers, .431" Insulator Height,
Dip Solder**

SPECIFICATIONS

- Accommodates $.062" \pm .008"$ [1.57 ± 0.20] PC Board
- Insulator Material available in PBT, PPS or PA9T
- 3 Amp Current Rating per contact
- Insulator / Contact Specifications and Part Number Coding See Page 82-83
- Row Spacing Available in .140" or .200" (Use Modification Code 'X9' for .200")
- P/N 04-0003-000 for In Between Contact Position Key See Page 126 (Sold Separately)
- Molded-in Key Available - Consult Factory

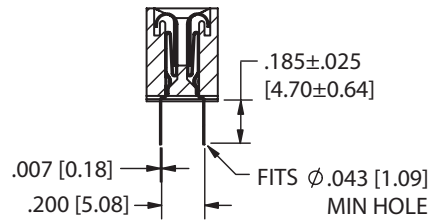


TERMINATION TYPE



**DIP SOLDER (S)
.140" ROW SPACING**

Example P/N: MPSL-0100-10-DS-1K

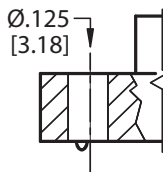


**DIP SOLDER (S)
.200" ROW SPACING
USE 'X9' MODIFICATION CODE**

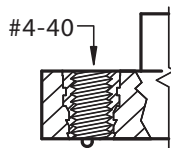
Example P/N: MPSL-0100-10-DS-1X9K

Micro Plastics Edgards

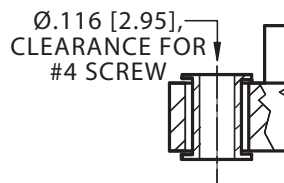
MOUNTING STYLE



(STYLE 1)



(STYLE 2)



(STYLE 3)



(STYLE 4)



PART NUMBER CODING

MPSL - 0 100 - 10 - D S - 1 K

PLATING - RoHS Compliant
All Platings are Lead Free and have .000050" Nickel Underplate

Contact Surface	Termination
*MPSL = .000010" Gold	.000100" Pure Tin, Matte
*MPL = .000100" Overall Pure Tin, Matte	
MP = .000010" Overall Gold	

*Requires 'K' Modification Code

INSULATOR MATERIAL**
0 = PBT

CONTACT CENTERS
100 = .100" [2.54mm]

NUMBER OF POSITIONS
Contacts Per Row (See Position Chart Below)

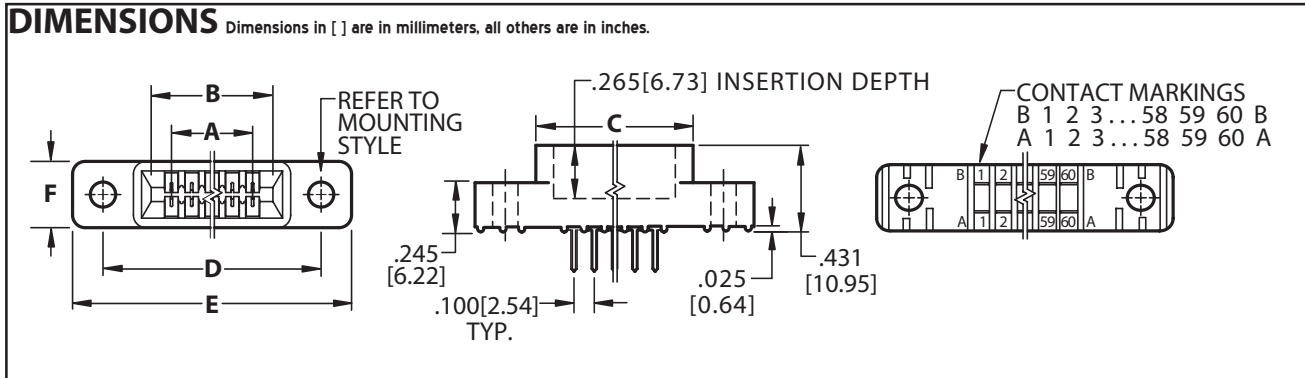
MODIFICATION CODE**
K = Required on MPSL or MPL Plating
Omit for MP Plating (Overall Gold)
X9 = .200" Row Spacing

MOUNTING STYLE (See Opposite Page)
1 = .125" Clearance Hole
2 = #4-40 Threaded Insert
3 = Floating Bobbin
4 = No Mounting

TERMINATION TYPE (See Opposite Page)
S = Dip Solder

READOUT
D = Dual

**** SEE PAGES 82-83 FOR SPECIFICATIONS AND OTHER VARIATIONS**



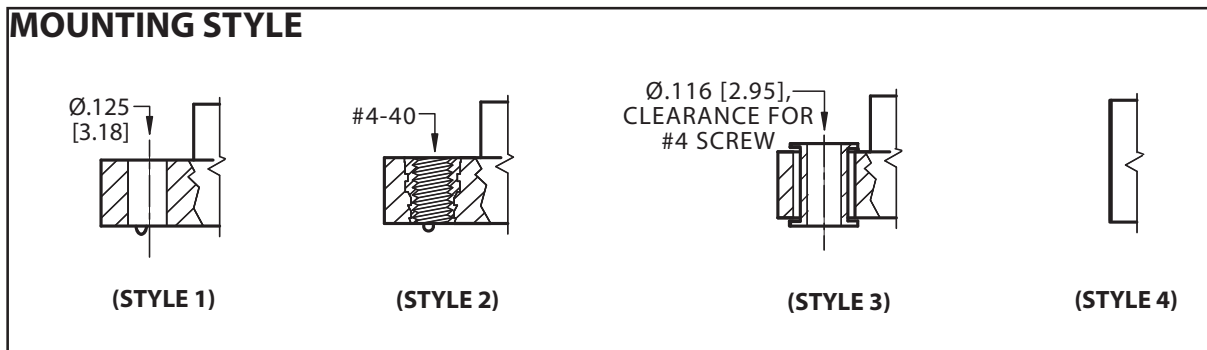
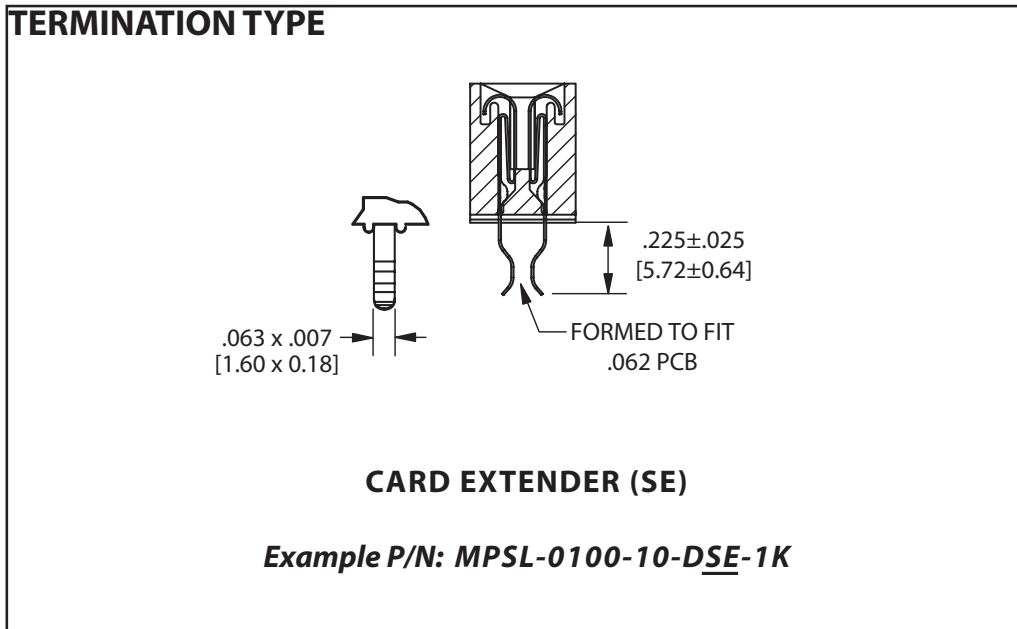
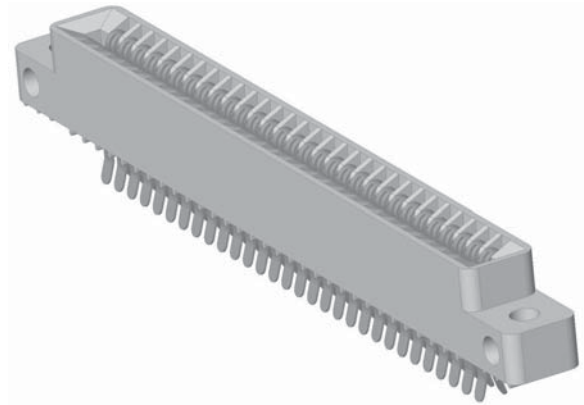
POSITIONS/ CONTACTS	INCHES					F±.005	[MILLIMETERS]					F±0.13
	A±.008	B±.008	C±.015	D±.010	E±.020		A±0.20	B±0.20	C±0.38	D±0.25	E±0.51	
05/10	0.400	0.600	0.775	1.075	1.375	0.330	10.16	15.24	19.69	27.31	34.93	8.38
06/12	0.500	0.700	0.875	1.175	1.475		12.70	17.78	22.23	29.85	37.47	
07/14	0.600	0.800	0.975	1.275	1.575		15.24	20.32	24.77	32.39	40.01	
08/16	0.700	0.900	1.075	1.375	1.675		17.78	22.86	27.31	34.93	42.55	
10/20	0.900	1.100	1.275	1.575	1.875		22.86	27.94	32.39	40.01	47.63	
12/24	1.100	1.300	1.475	1.775	2.075		27.94	33.02	37.47	45.09	52.71	
13/26	1.200	1.400	1.575	1.875	2.175		30.48	35.56	40.01	47.63	55.25	
15/30	1.400	1.600	1.775	2.075	2.375		35.56	40.64	45.09	52.71	60.33	
17/34	1.600	1.800	1.975	2.275	2.575		40.64	45.72	50.17	57.79	65.41	
18/36	1.700	1.900	2.075	2.375	2.675		43.18	48.26	52.71	60.33	67.95	
19/38	1.800	2.000	2.175	2.475	2.775		45.72	50.80	55.25	62.87	70.49	
20/40	1.900	2.100	2.275	2.575	2.875		48.26	53.34	57.79	65.41	73.03	
22/44	2.100	2.300	2.475	2.775	3.075		53.34	58.42	62.87	70.49	78.11	
25/50	2.400	2.600	2.775	3.075	3.375		60.96	66.04	70.49	78.11	85.73	
26/52	2.500	2.700	2.875	3.175	3.475		63.50	68.58	73.03	80.65	88.27	
28/56	2.700	2.900	3.075	3.375	3.675		68.58	73.66	78.11	85.73	93.35	
30/60	2.900	3.100	3.275	3.575	3.875		73.66	78.74	83.19	90.81	98.43	
31/62	3.000	3.200	3.375	3.675	3.975		76.20	81.28	85.73	93.35	100.97	
35/70	3.400	3.600	3.775	4.075	4.375		86.36	91.44	95.89	103.51	111.13	
36/72	3.500	3.700	3.875	4.175	4.475	88.90	93.98	98.43	106.05	113.67		
40/80	3.900	4.100	4.275	4.575	4.875	99.06	104.14	108.59	116.21	123.83		
43/86	4.200	4.400	4.575	4.875	5.175	106.68	111.76	116.21	123.83	131.45		
44/88	4.300	4.500	4.675	4.975	5.275	109.22	114.30	118.75	126.37	133.99		
49/98	4.800	5.000	5.175	5.475	5.775	121.92	127.00	131.45	139.07	146.69		
50/100	4.900	5.100	5.275	5.575	5.875	124.46	129.54	133.99	141.61	149.23		
60/120	5.900	6.100	6.275	6.575	6.875	149.86	154.94	159.39	167.01	174.63		
65/130	6.400	6.600	6.775	7.075	7.375	162.56	167.64	172.09	179.71	187.33		



**.100" Contact Centers, .431" Insulator Height,
Card Extender**

SPECIFICATIONS

- Accommodates $.062" \pm .008"$ [1.57 ± 0.20] PC Board
- Insulator Material available in PBT, PPS or PA9T
- 3 Amp Current Rating per contact
- Insulator / Contact Specifications and Part Number Coding See Page 82-83
- P/N 04-0003-000 for In Between Contact Position Key See Page 126 (Sold Separately)
- Molded-in Key Available - Consult Factory





PART NUMBER CODING

MPSL - 0 100 - 10 - D SE - 1 K

PLATING - RoHS Compliant

All Platings are Lead Free and have .000050" Nickel Underplate

Contact Surface Termination

*MPSL = .000010" Gold .000100" Pure Tin Matte

*MPL = .000100" Overall Pure Tin, Matte

MP = .000010" Overall Gold

*** Requires 'K' Modification Code**

Other Plating and thicknesses available upon request

INSULATOR MATERIAL**

0 = PBT

CONTACT CENTERS

100 = .100" [2.54mm]

NUMBER OF POSITIONS

Contacts Per Row (See Position Chart Below)

PLATING MODIFICATION CODE**

K = Required on Tin Plating

Omit for MP Plating (Overall Gold)

MOUNTING STYLE (See Opposite Page)

1 = .125" Clearance Hole

2 = #4-40 Threaded Insert

3 = Floating Bobbin

4 = No Mounting

TERMINATION TYPE (See Opposite Page)

SE = Card Extender

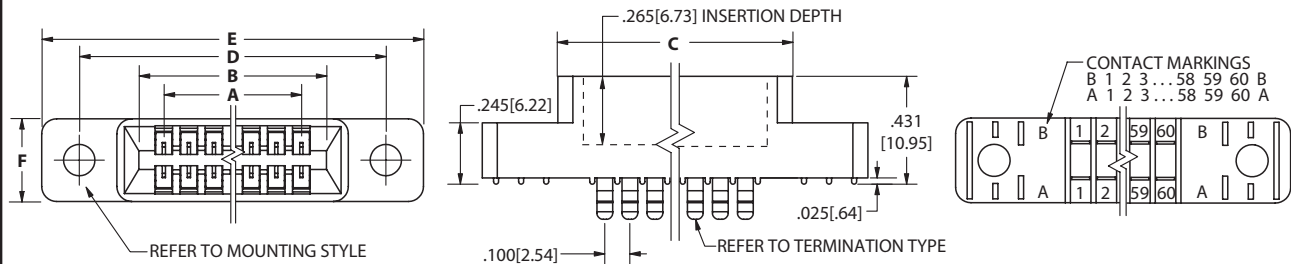
READOUT

D = Dual

**** SEE PAGES 82-83 FOR SPECIFICATIONS AND OTHER VARIATIONS**

DIMENSIONS

Dimensions in [] are in millimeters, all others are in inches.



POSITIONS/ CONTACTS	INCHES					[MILLIMETERS]						
	A±.008	B±.008	C±.015	D±.010	E±.020	F±.005	A±0.20	B±0.20	C±0.38	D±0.25	E±0.51	F±0.13
05/10	0.400	0.600	0.775	1.075	1.375	0.330	10.16	15.24	19.69	27.31	34.93	8.38
06/12	0.500	0.700	0.875	1.175	1.475		12.70	17.78	22.23	29.85	37.47	
07/14	0.600	0.800	0.975	1.275	1.575		15.24	20.32	24.77	32.39	40.01	
08/16	0.700	0.900	1.075	1.375	1.675		17.78	22.86	27.31	34.93	42.55	
10/20	0.900	1.100	1.275	1.575	1.875		22.86	27.94	32.39	40.01	47.63	
12/24	1.100	1.300	1.475	1.775	2.075		27.94	33.02	37.47	45.09	52.71	
13/26	1.200	1.400	1.575	1.875	2.175		30.48	35.56	40.01	47.63	55.25	
15/30	1.400	1.600	1.775	2.075	2.375		35.56	40.64	45.09	52.71	60.33	
17/34	1.600	1.800	1.975	2.275	2.575		40.64	45.72	50.17	57.79	65.41	
18/36	1.700	1.900	2.075	2.375	2.675		43.18	48.26	52.71	60.33	67.95	
19/38	1.800	2.000	2.175	2.475	2.775		45.72	50.80	55.25	62.87	70.49	
20/40	1.900	2.100	2.275	2.575	2.875		48.26	53.34	57.79	65.41	73.03	
22/44	2.100	2.300	2.475	2.775	3.075		53.34	58.42	62.87	70.49	78.11	
25/50	2.400	2.600	2.775	3.075	3.375		60.96	66.04	70.49	78.11	85.73	
26/52	2.500	2.700	2.875	3.175	3.475		63.50	68.58	73.03	80.65	88.27	
28/56	2.700	2.900	3.075	3.375	3.675	68.58	73.66	78.11	85.73	93.35		
30/60	2.900	3.100	3.275	3.575	3.875	73.66	78.74	83.19	90.81	98.43		
31/62	3.000	3.200	3.375	3.675	3.975	76.20	81.28	85.73	93.35	100.97		
35/70	3.400	3.600	3.775	4.075	4.375	86.36	91.44	95.89	103.51	111.13		
36/72	3.500	3.700	3.875	4.175	4.475	88.90	93.98	98.43	106.05	113.67		
40/80	3.900	4.100	4.275	4.575	4.875	99.06	104.14	108.59	116.21	123.83		
43/86	4.200	4.400	4.575	4.875	5.175	106.68	111.76	116.21	123.83	131.45		
44/88	4.300	4.500	4.675	4.975	5.275	109.22	114.30	118.75	126.37	133.99		
49/98	4.800	5.000	5.175	5.475	5.775	121.92	127.00	131.45	139.07	146.69		
50/100	4.900	5.100	5.275	5.575	5.875	124.46	129.54	133.99	141.61	149.23		
60/120	5.900	6.100	6.275	6.575	6.875	149.86	154.94	159.39	167.01	174.63		
65/130	6.400	6.600	6.775	7.075	7.375	162.56	167.64	172.09	179.71	187.33		

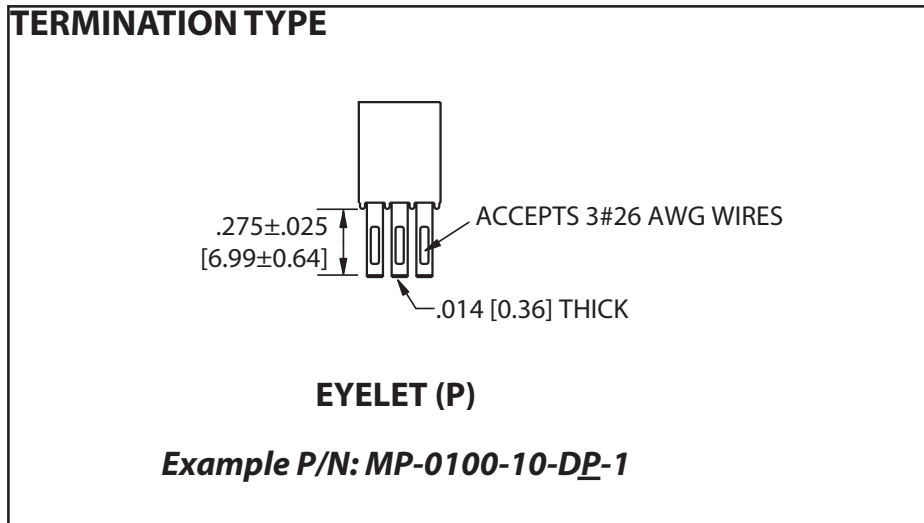
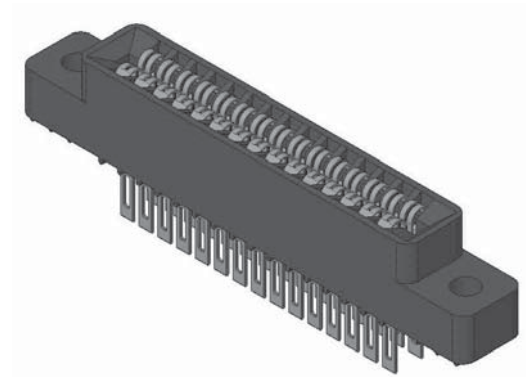
Micro Plastics Edgcards



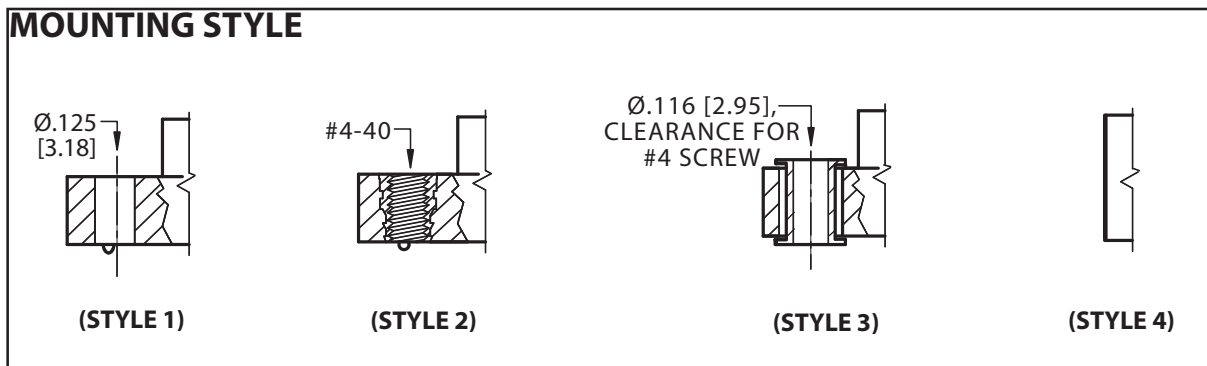
**.100" Contact Centers, .431" Insulator Height,
Eyelet**

SPECIFICATIONS

- Accommodates $.062" \pm .008"$ [1.57 ± 0.20] PC Board
- Insulator Material available in PBT, PPS or PA9T
- 3 Amp Current Rating per contact
- Insulator / Contact Specifications and Part Number Coding See Page 82-83
- P/N 04-0003-000 for In Between Contact Position Key See Page 126 (Sold Separately)
- Molded-in Key Available - Consult Factory



Micro Plastics Edgards





PART NUMBER CODING

MPL - 0 100 - 10 - D P - 1 K

PLATING - RoHS Compliant

All Platings are Lead Free and have .000050" Nickel Underplate
 *MPL = .000100" Overall Pure Tin, Matte
 MP = .000010" Overall Gold
 * Requires 'K' Modification Code
 Other Plating and thicknesses available upon request

INSULATOR MATERIAL**

0 = PBT

CONTACT CENTERS

100 = .100" [2.54mm]

NUMBER OF POSITIONS

Contacts Per Row (See Position Chart Below)

PLATING MODIFICATION CODE**

K = Required on Tin Plating
 Omit for MP Plating (Overall Gold)

MOUNTING STYLE (See Opposite Page)

- 1 = .125" Clearance Hole
- 2 = #4-40 Threaded Insert
- 3 = Floating Bobbin
- 4 = No Mounting

TERMINATION TYPE (See Opposite Page)

P = Pierced Eyelet, .014" Thick

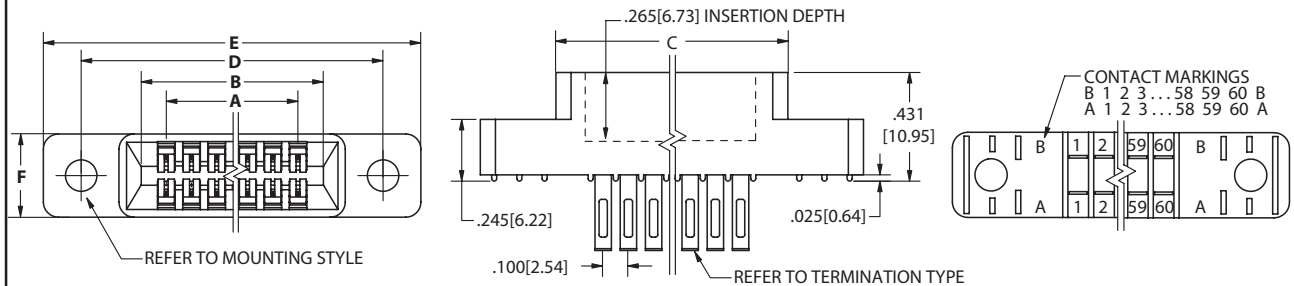
READOUT

D = Dual

**** SEE PAGES 82-83 FOR SPECIFICATIONS AND OTHER VARIATIONS**

DIMENSIONS

Dimensions in [] are in millimeters, all others are in inches.



POSITIONS/ CONTACTS	INCHES						[MILLIMETERS]					
	A±.008	B±.008	C±.015	D±.010	E±.020	F±.005	A±0.20	B±0.20	C±0.38	D±0.25	E±0.51	F±0.13
05/10	0.400	0.600	0.775	1.075	1.375	0.330	10.16	15.24	19.69	27.31	34.93	8.38
06/12	0.500	0.700	0.875	1.175	1.475		12.70	17.78	22.23	29.85	37.47	
07/14	0.600	0.800	0.975	1.275	1.575		15.24	20.32	24.77	32.39	40.01	
08/16	0.700	0.900	1.075	1.375	1.675		17.78	22.86	27.31	34.93	42.55	
10/20	0.900	1.100	1.275	1.575	1.875		22.86	27.94	32.39	40.01	47.63	
12/24	1.100	1.300	1.475	1.775	2.075		27.94	33.02	37.47	45.09	52.71	
13/26	1.200	1.400	1.575	1.875	2.175		30.48	35.56	40.01	47.63	55.25	
15/30	1.400	1.600	1.775	2.075	2.375		35.56	40.64	45.09	52.71	60.33	
17/34	1.600	1.800	1.975	2.275	2.575		40.64	45.72	50.17	57.79	65.41	
18/36	1.700	1.900	2.075	2.375	2.675		43.18	48.26	52.71	60.33	67.95	
19/38	1.800	2.000	2.175	2.475	2.775		45.72	50.80	55.25	62.87	70.49	
20/40	1.900	2.100	2.275	2.575	2.875		48.26	53.34	57.79	65.41	73.03	
22/44	2.100	2.300	2.475	2.775	3.075		53.34	58.42	62.87	70.49	78.11	
25/50	2.400	2.600	2.775	3.075	3.375		60.96	66.04	70.49	78.11	85.73	
26/52	2.500	2.700	2.875	3.175	3.475		63.50	68.58	73.03	80.65	88.27	
28/56	2.700	2.900	3.075	3.375	3.675		68.58	73.66	78.11	85.73	93.35	
30/60	2.900	3.100	3.275	3.575	3.875		73.66	78.74	83.19	90.81	98.43	
31/62	3.000	3.200	3.375	3.675	3.975		76.20	81.28	85.73	93.35	100.97	
35/70	3.400	3.600	3.775	4.075	4.375		86.36	91.44	95.89	103.51	111.13	
36/72	3.500	3.700	3.875	4.175	4.475	88.90	93.98	98.43	106.05	113.67		
40/80	3.900	4.100	4.275	4.575	4.875	99.06	104.14	108.59	116.21	123.83		
43/86	4.200	4.400	4.575	4.875	5.175	106.68	111.76	116.21	123.83	131.45		
44/88	4.300	4.500	4.675	4.975	5.275	109.22	114.30	118.75	126.37	133.99		
49/98	4.800	5.000	5.175	5.475	5.775	121.92	127.00	131.45	139.07	146.69		
50/100	4.900	5.100	5.275	5.575	5.875	124.46	129.54	133.99	141.61	149.23		
60/120	5.900	6.100	6.275	6.575	6.875	149.86	154.94	159.39	167.01	174.63		
65/130	6.400	6.600	6.775	7.075	7.375	162.56	167.64	172.09	179.71	187.33		

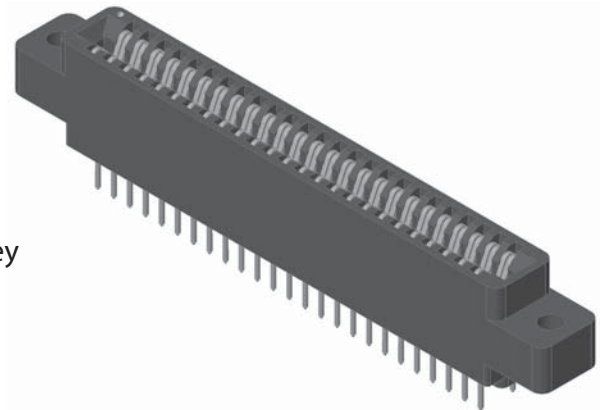
Micro Plastics Edgcards



**.100" Contact Centers, .610" Insulator Height,
Wire Wrap & Dip Solder**

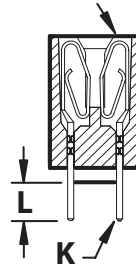
SPECIFICATIONS

- Accommodates .062" ± .008" [1.57 ± 0.20] PC Board
- Insulator Material available in PBT, PPS or PA9T
- 3 Amp Current Rating per contact
- Insulator / Contact Specifications and Part Number Coding See Page 82-83
- P/N 04-0004-000 for In Between Contact Position Key See Page 126 (Sold Separately)
- Molded-in Key Available - Consult Factory



TERMINATION TYPE

LOOP BELLOWS

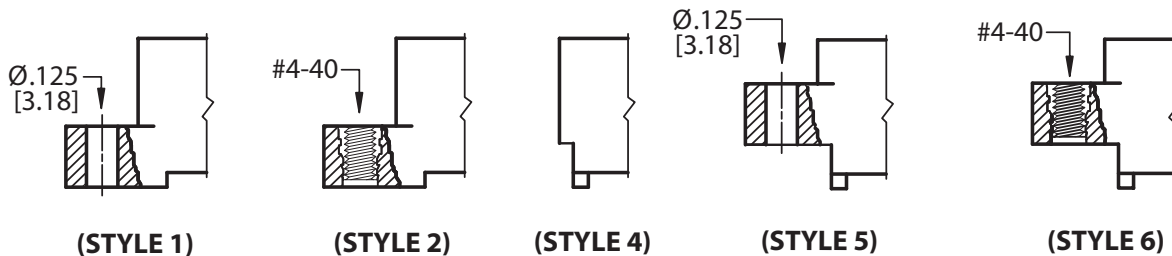


LOOP BELLOWS

TERMINATION CODE	MODIFICATION CODE	TYPE	POST CROSS SECTION K	POST LENGTH L	FITS MIN. HOLE SIZE	EXAMPLE PART NUMBER
R	H	Dip Solder	.026 [0.66] Round	.190 [4.83]	.030 [0.76]	<i>MPSL-0100-10-DR-1HK</i>
R	H(.165)	Dip Solder	.026 [0.66] Round	.165 [4.19]	.030 [0.76]	<i>MPSL-0100-10-DR-1HK(.165)</i>
W	H	Dip Solder	.025 [0.64] Square	.190 [4.83]	.040 [1.02]	<i>MPSL-0100-10-DW-1HK</i>
W	OMIT	Wire Wrap	.025 [0.64] Square	.560 [14.20]	.040 [1.02]	<i>MPSL-0100-10-DW-1K</i>

Micro Plastics Edgards

MOUNTING STYLE



**.100" Contact Centers, .610" Insulator Height,
Wire Wrap & Dip Solder**



PART NUMBER CODING

MPSL - 0 100 - 10 - D W - 1 H K

PLATING - RoHS Compliant
All Platings are Lead Free and have .000050" Nickel Underplate

Contact Surface Termination

*MPSL = .000010" Gold .000100" Pure Tin, Matte
*MPL = .000100" Overall Pure Tin, Matte
MP = .000010" Overall Gold
***Requires 'K' Modification Code**

INSULATOR MATERIAL**
0 = PBT

CONTACT CENTERS
100 = .100" [2.54mm]

NUMBER OF POSITIONS
Contacts Per Row (See Position Chart Below)

READOUT
D = Dual

PLATING MODIFICATION CODE**
K = Required on MPSL or MPL Plating
Omit for MP Plating (Overall Gold)

MODIFICATION CODE**
(See Opposite Page)
H = Dip Solder .190[4.83] Tail Length
(.026 Round or .025 Square)
H(.165) = Dip Solder .165[4.19] Tail Length
(.026 Round Only)

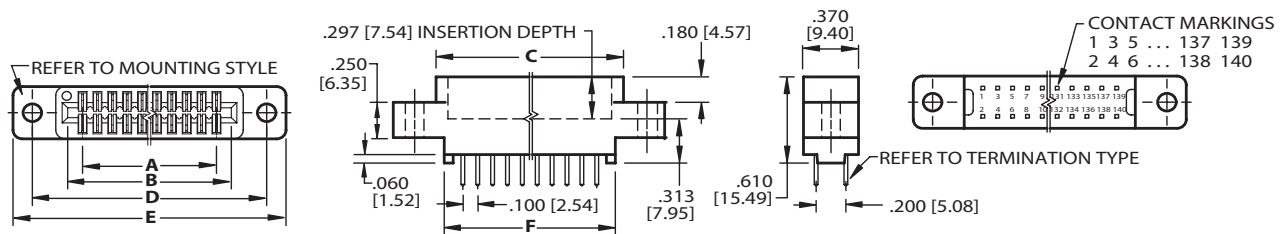
MOUNTING STYLE (See Opposite Page)
1 = .125" Clearance Hole
2 = #4-40 Threaded Insert
4 = No Mounting
5 = Raised, .125" Clearance Hole
6 = Raised, #4-40 Threaded Insert

TERMINATION TYPE (See Opposite Page)
LOOP BELLOWS
R = .026[.66mm] Round
W = .025[.64mm] Square

**** SEE PAGES 82-83 FOR SPECIFICATIONS AND OTHER VARIATIONS**

DIMENSIONS

Dimensions in [] are in millimeters, all others are in inches.



POSITIONS/ CONTACTS	INCHES						[MILLIMETERS]					
	A±.008	B±.008	C±.015	D±.010	E±.020	F±.015	A±0.20	B±0.20	C±0.38	D±0.25	E±0.51	F±0.38
06/12	0.500	0.700	0.860	1.175	1.435	0.750	12.70	17.78	21.84	29.85	36.45	19.05
08/16	0.700	0.900	1.060	1.375	1.635	0.950	17.78	22.86	26.92	34.93	41.53	24.13
10/20	0.900	1.100	1.260	1.575	1.835	1.150	22.86	27.94	32.00	40.01	46.61	29.21
12/24	1.100	1.300	1.460	1.775	2.035	1.350	27.94	33.02	37.08	45.09	51.69	34.29
13/26	1.200	1.400	1.560	1.875	2.135	1.450	30.48	35.56	39.62	47.63	54.23	36.83
15/30	1.400	1.600	1.760	2.075	2.335	1.650	35.56	40.64	44.70	52.71	59.31	41.91
17/34	1.600	1.800	1.960	2.275	2.535	1.850	40.64	45.72	49.78	57.79	64.39	46.99
18/36	1.700	1.900	2.060	2.375	2.635	1.950	43.18	48.26	52.32	60.33	66.93	49.53
20/40	1.900	2.100	2.260	2.575	2.835	2.150	48.26	53.34	57.40	65.41	72.01	54.61
22/44	2.100	2.300	2.460	2.775	3.035	2.350	53.34	58.42	62.48	70.49	77.09	59.69
24/48	2.300	2.500	2.660	2.975	3.235	2.550	58.42	63.50	67.56	75.57	82.17	64.77
25/50	2.400	2.600	2.760	3.075	3.335	2.650	60.96	66.04	70.10	78.11	84.71	67.31
28/56	2.700	2.900	3.060	3.375	3.635	2.950	68.58	73.66	77.72	85.73	92.33	74.93
30/60	2.900	3.100	3.260	3.575	3.835	3.150	73.66	78.74	82.80	90.81	97.41	80.01
31/62	3.000	3.200	3.360	3.675	3.935	3.250	76.20	81.28	85.34	93.35	99.95	82.55
35/70	3.400	3.600	3.760	4.075	4.335	3.650	86.36	91.44	95.50	103.51	110.11	92.71
36/72	3.500	3.700	3.860	4.175	4.435	3.750	88.90	93.98	98.04	106.05	112.65	95.25
40/80	3.900	4.100	4.260	4.575	4.835	4.150	99.06	104.14	108.20	116.21	122.81	105.41
43/86	4.200	4.400	4.560	4.875	5.135	4.450	106.68	111.76	115.82	123.83	130.43	113.03
44/88	4.300	4.500	4.660	4.975	5.235	4.550	109.22	114.30	118.36	126.37	132.97	115.57
50/100	4.900	5.100	5.260	5.575	5.835	5.150	124.46	129.54	133.60	141.61	148.21	130.81
55/110	5.400	5.600	5.760	6.075	6.335	5.650	137.16	142.24	146.30	154.31	160.91	143.51
60/120	5.900	6.100	6.260	6.575	6.835	6.150	149.86	154.94	159.00	167.01	173.61	156.21
61/122	6.000	6.200	6.360	6.675	6.935	6.250	152.40	157.48	161.54	169.55	176.15	158.75
65/130	6.400	6.600	6.760	7.075	7.335	6.650	162.56	167.64	171.70	179.71	186.31	168.91
70/140	6.900	7.100	7.260	7.575	7.835	7.150	175.26	180.34	184.40	192.41	199.01	181.61

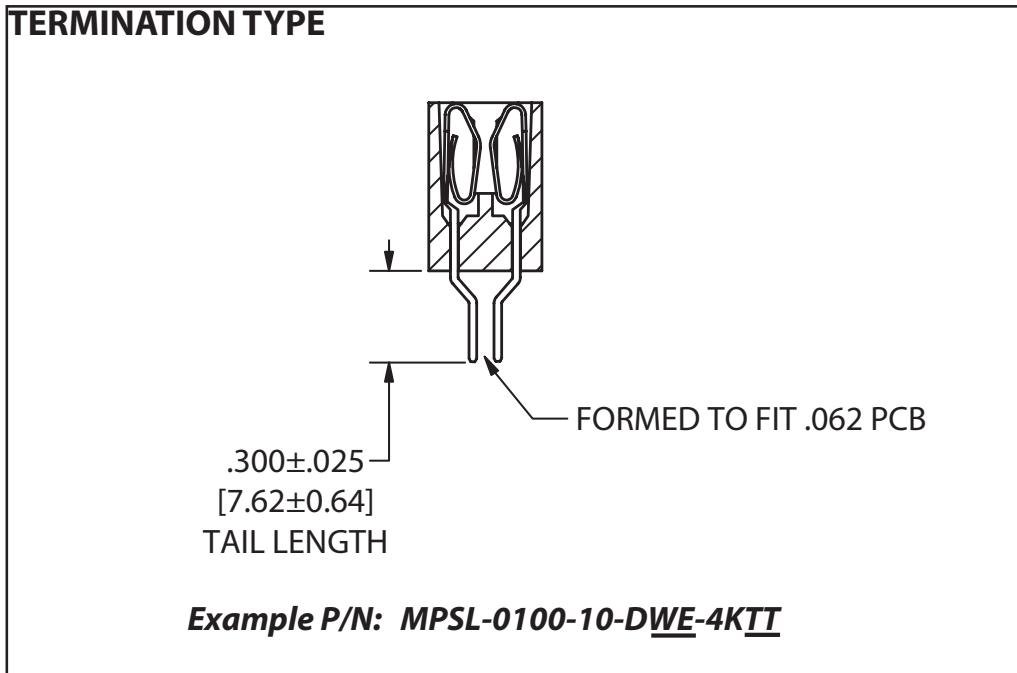
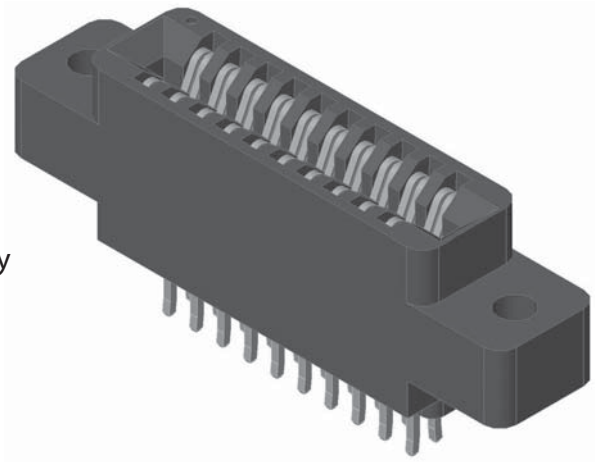
Micro Plastics Edgcards



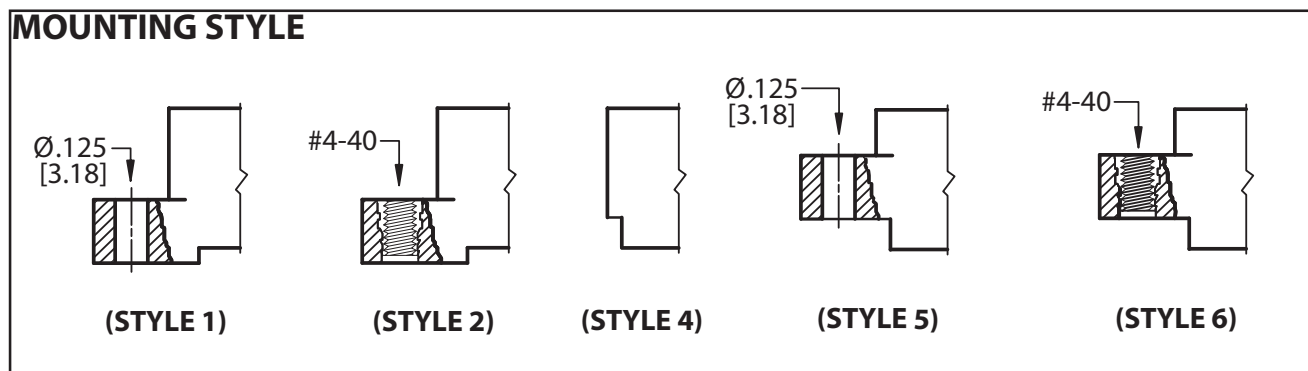
**.100" Contact Centers, .550" Insulator Height,
.025" Square Card Extender**

SPECIFICATIONS

- Accommodates $.062" \pm .008"$ [1.57 ± 0.20] PC Board
- Insulator Material available in PBT, PPS or PA9T
- 3 Amp Current Rating per contact
- Insulator / Contact Specifications and Part Number Coding See Page 82-83
- P/N 04-0004-000 for In Between Contact Position Key See Page 126 (Sold Separately)
- Molded-in Key Available - Consult Factory



Micro Plastics Edgards





PART NUMBER CODING

MPSL - 0 100 - 10 - D WE - 4 K TT

PLATING - RoHS Compliant
All Platings are Lead Free and have .000050" Nickel Underplate

Contact Surface	Termination
*MPSL = .000010" Gold	.000100" Pure Tin, Matte
*MPL = .000100" Overall Pure Tin, Matte	
MP = .000010" Overall Gold	

*Requires 'K' Modification Code

INSULATOR MATERIAL **
0 = PBT

CONTACT CENTERS
100 = .100" [2.54mm]

NUMBER OF POSITIONS
Contacts Per Row (See Position Chart Below)

READOUT
D = Dual

MODIFICATION CODE**
TT = No Standoffs

PLATING MODIFICATION CODE**
K = Required on MPSL or MPL Plating
Omit for MP Plating (Overall Gold)

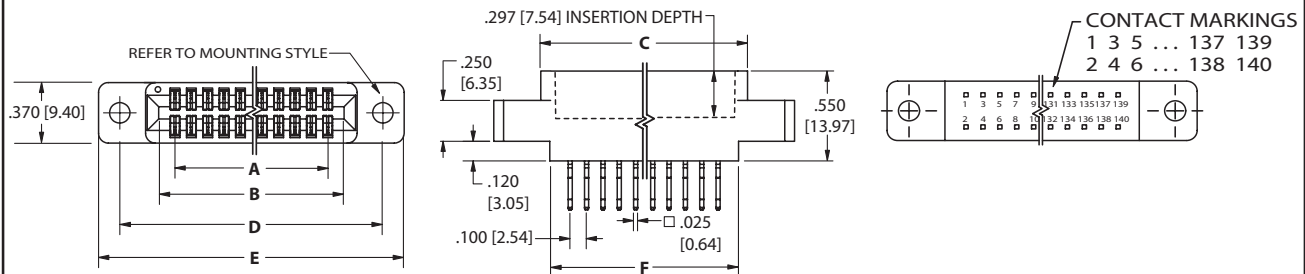
MOUNTING STYLE (See Opposite Page)
1 = .125" Clearance Hole
2 = #4-40 Threaded Insert
4 = No Mounting
5 = Raised, .125" Clearance Hole
6 = Raised, #4-40 Threaded Insert

TERMINATION TYPE (See Opposite Page)
WE = Card Extender

**** SEE PAGES 82-83 FOR SPECIFICATIONS AND OTHER VARIATIONS**

DIMENSIONS

Dimensions in [] are in millimeters, all others are in inches.



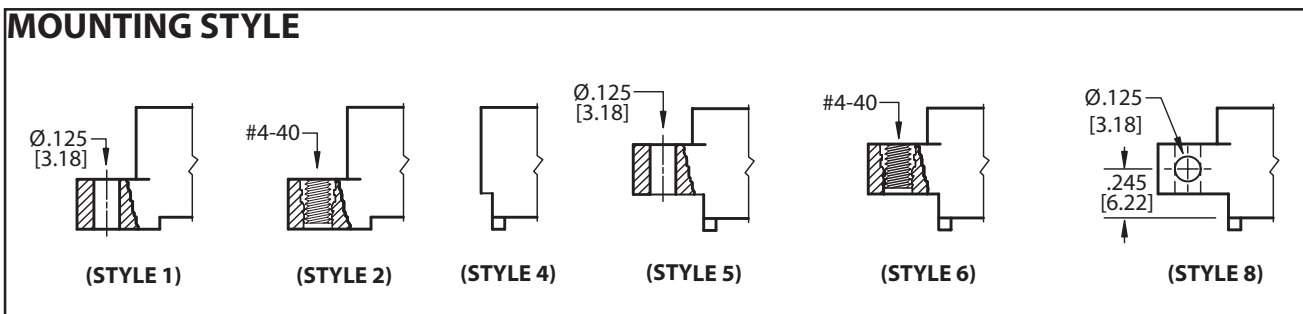
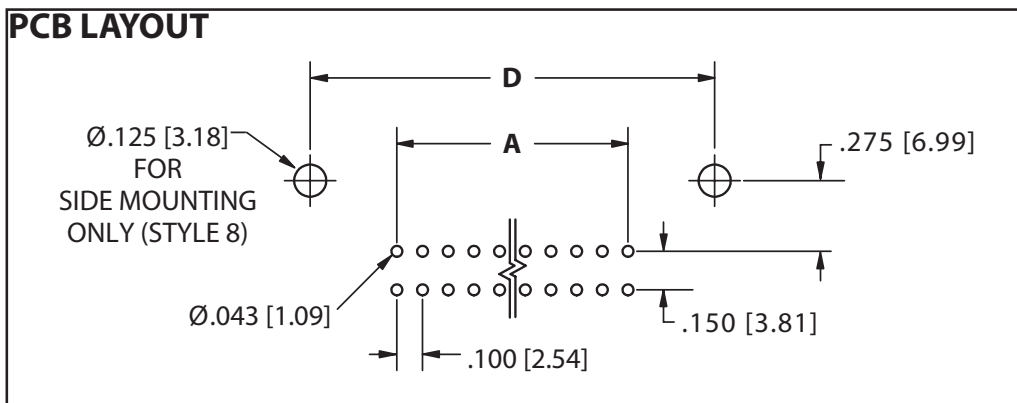
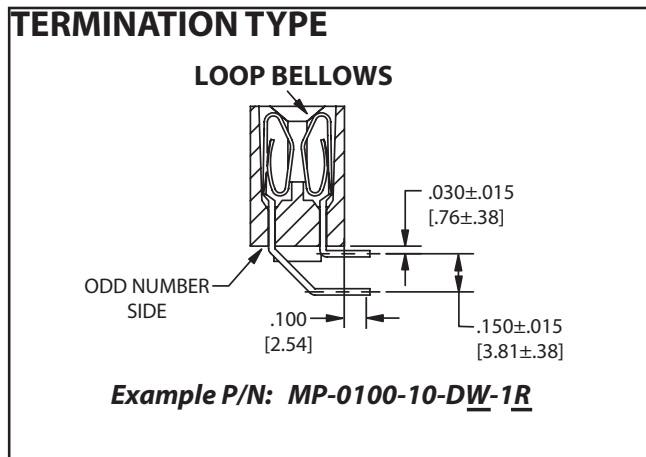
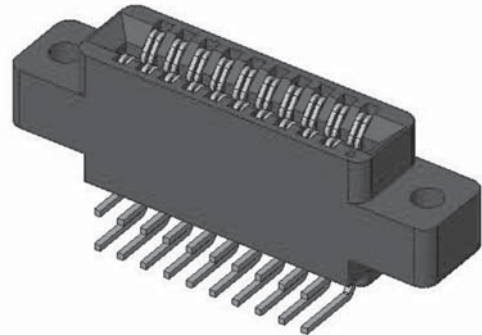
POSITIONS/ CONTACTS	INCHES						[MILLIMETERS]					
	A±.008	B±.008	C±.015	D±.010	E±.020	F±.015	A±0.20	B±0.20	C±0.38	D±0.25	E±0.51	F±0.38
06/12	0.500	0.700	0.860	1.175	1.435	0.750	12.70	17.78	21.84	29.85	36.45	19.05
08/16	0.700	0.900	1.060	1.375	1.635	0.950	17.78	22.86	26.92	34.93	41.53	24.13
10/20	0.900	1.100	1.260	1.575	1.835	1.150	22.86	27.94	32.00	40.01	46.61	29.21
12/24	1.100	1.300	1.460	1.775	2.035	1.350	27.94	33.02	37.08	45.09	51.69	34.29
13/26	1.200	1.400	1.560	1.875	2.135	1.450	30.48	35.56	39.62	47.63	54.23	36.83
15/30	1.400	1.600	1.760	2.075	2.335	1.650	35.56	40.64	44.70	52.71	59.31	41.91
17/34	1.600	1.800	1.960	2.275	2.535	1.850	40.64	45.72	49.78	57.79	64.39	46.99
18/36	1.700	1.900	2.060	2.375	2.635	1.950	43.18	48.26	52.32	60.33	66.93	49.53
20/40	1.900	2.100	2.260	2.575	2.835	2.150	48.26	53.34	57.40	65.41	72.01	54.61
22/44	2.100	2.300	2.460	2.775	3.035	2.350	53.34	58.42	62.48	70.49	77.09	59.69
24/48	2.300	2.500	2.660	2.975	3.235	2.550	58.42	63.50	67.56	75.57	82.17	64.77
25/50	2.400	2.600	2.760	3.075	3.335	2.650	60.96	66.04	70.10	78.11	84.71	67.31
28/56	2.700	2.900	3.060	3.375	3.635	2.950	68.58	73.66	77.72	85.73	92.33	74.93
30/60	2.900	3.100	3.260	3.575	3.835	3.150	73.66	78.74	82.80	90.81	97.41	80.01
31/62	3.000	3.200	3.360	3.675	3.935	3.250	76.20	81.28	85.34	93.35	99.95	82.55
35/70	3.400	3.600	3.760	4.075	4.335	3.650	86.36	91.44	95.50	103.51	110.11	92.71
36/72	3.500	3.700	3.860	4.175	4.435	3.750	88.90	93.98	98.04	106.05	112.65	95.25
40/80	3.900	4.100	4.260	4.575	4.835	4.150	99.06	104.14	108.20	116.21	122.81	105.41
43/86	4.200	4.400	4.560	4.875	5.135	4.450	106.68	111.76	115.82	123.83	130.43	113.03
44/88	4.300	4.500	4.660	4.975	5.235	4.550	109.22	114.30	118.36	126.37	132.97	115.57
50/100	4.900	5.100	5.260	5.575	5.835	5.150	124.46	129.54	133.60	141.61	148.21	130.81
55/110	5.400	5.600	5.760	6.075	6.335	5.650	137.16	142.24	146.30	154.31	160.91	143.51
60/120	5.900	6.100	6.260	6.575	6.835	6.150	149.86	154.94	159.00	167.01	173.61	156.21
61/122	6.000	6.200	6.360	6.675	6.935	6.250	152.40	157.48	161.54	169.55	176.15	158.75
65/130	6.400	6.600	6.760	7.075	7.335	6.650	162.56	167.64	171.70	179.71	186.31	168.91
70/140	6.900	7.100	7.260	7.575	7.835	7.150	175.26	180.34	184.40	192.41	199.01	181.61



**.100" Contact Centers, .610" Insulator Height,
Right Angle**

SPECIFICATIONS

- Accommodates $.062" \pm .008"$ [1.57 ± 0.20] PC Board
- Insulator Material available in PBT, PPS or PA9T
- 3 Amp Current Rating per contact
- Insulator / Contact Specifications and Part Number Coding See Page 82-83
- P/N 04-0004-000 for In Between Contact Position Key See Page 126 (Sold Separately)
- Molded-in Key Available - Consult Factory





PART NUMBER CODING

MPSL - 0 100 - 10 - D W - 1 K R

PLATING - RoHS Compliant

All Platings are Lead Free and have .000050" Nickel Underplate

- | | |
|---|--------------------------|
| Contact Surface | Termination |
| *MPSL = .000010" Gold | .000100" Pure Tin, Matte |
| *MPL = .000100" Overall Pure Tin, Matte | |
| MP = .000010" Overall Gold | |
- *Requires 'K' Modification Code

INSULATOR MATERIAL**

0 = PBT

CONTACT CENTERS

100 = .100" [2.54mm]

NUMBER OF POSITIONS

Contacts Per Row (See Position Chart Below)

READOUT

D = Dual

MODIFICATION CODE**

R = Right Angle

PLATING MODIFICATION CODE**

K = Required on MPSL or MPL Plating
Omit for MP Plating (Overall Gold)

MOUNTING STYLE (See Opposite Page)

- 1 = .125" Clearance Hole
- 2 = #4-40 Threaded Insert
- 4 = No Mounting
- 5 = Raised, .125" Clearance Hole
- 6 = Raised, #4-40 Threaded Insert
- 8 = Raised, Side Mounting, .125" Clearance Hole

TERMINATION TYPE (See Opposite Page)

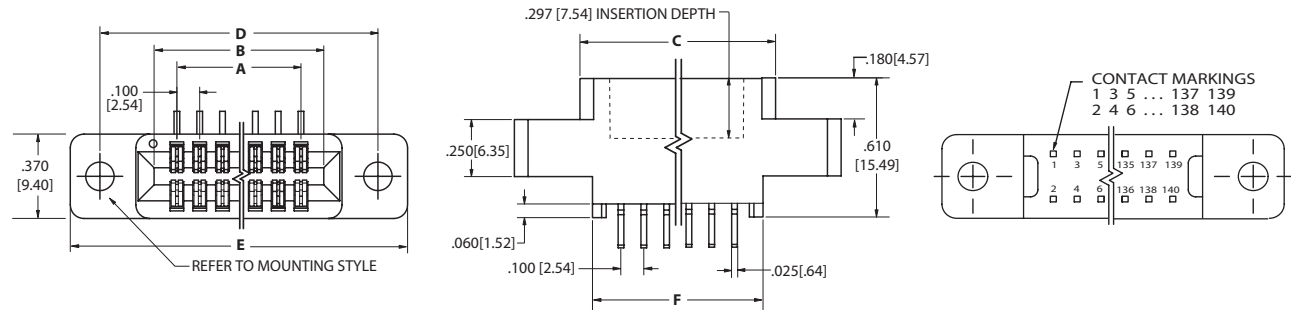
LOOP BELLOWS

W = .025 [.64] Square

**** SEE PAGES 82-83 FOR SPECIFICATIONS AND OTHER VARIATIONS**

DIMENSIONS

Dimensions in [] are in millimeters, all others are in inches.



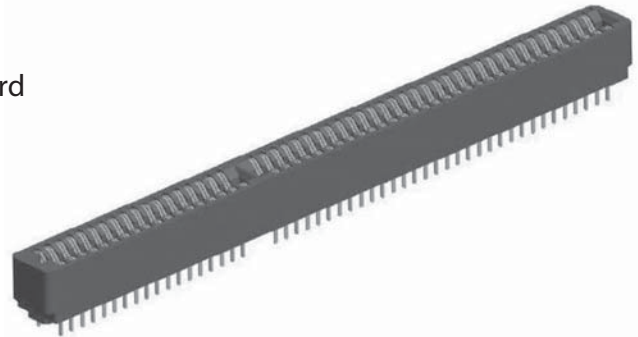
POSITIONS/ CONTACTS	INCHES						[MILLIMETERS]					
	A±.008	B±.008	C±.015	D±.010	E±.020	F±.015	A±0.20	B±0.20	C±0.38	D±0.25	E±0.51	F±0.38
06/12	0.500	0.700	0.860	1.175	1.435	0.750	12.70	17.78	21.84	29.85	36.45	19.05
08/16	0.700	0.900	1.060	1.375	1.635	0.950	17.78	22.86	26.92	34.93	41.53	24.13
10/20	0.900	1.100	1.260	1.575	1.835	1.150	22.86	27.94	32.00	40.01	46.61	29.21
12/24	1.100	1.300	1.460	1.775	2.035	1.350	27.94	33.02	37.08	45.09	51.69	34.29
13/26	1.200	1.400	1.560	1.875	2.135	1.450	30.48	35.56	39.62	47.63	54.23	36.83
15/30	1.400	1.600	1.760	2.075	2.335	1.650	35.56	40.64	44.70	52.71	59.31	41.91
17/34	1.600	1.800	1.960	2.275	2.535	1.850	40.64	45.72	49.78	57.79	64.39	46.99
18/36	1.700	1.900	2.060	2.375	2.635	1.950	43.18	48.26	52.32	60.33	66.93	49.53
20/40	1.900	2.100	2.260	2.575	2.835	2.150	48.26	53.34	57.40	65.41	72.01	54.61
22/44	2.100	2.300	2.460	2.775	3.035	2.350	53.34	58.42	62.48	70.49	77.09	59.69
24/48	2.300	2.500	2.660	2.975	3.235	2.550	58.42	63.50	67.56	75.57	82.17	64.77
25/50	2.400	2.600	2.760	3.075	3.335	2.650	60.96	66.04	70.10	78.11	84.71	67.31
28/56	2.700	2.900	3.060	3.375	3.635	2.950	68.58	73.66	77.72	85.73	92.33	74.93
30/60	2.900	3.100	3.260	3.575	3.835	3.150	73.66	78.74	82.80	90.81	97.41	80.01
31/62	3.000	3.200	3.360	3.675	3.935	3.250	76.20	81.28	85.34	93.35	99.95	82.55
35/70	3.400	3.600	3.760	4.075	4.335	3.650	86.36	91.44	95.50	103.51	110.11	92.71
36/72	3.500	3.700	3.860	4.175	4.435	3.750	88.90	93.98	98.04	106.05	112.65	95.25
40/80	3.900	4.100	4.260	4.575	4.835	4.150	99.06	104.14	108.20	116.21	122.81	105.41
43/86	4.200	4.400	4.560	4.875	5.135	4.450	106.68	111.76	115.82	123.83	130.43	113.03
44/88	4.300	4.500	4.660	4.975	5.235	4.550	109.22	114.30	118.36	126.37	132.97	115.57
50/100	4.900	5.100	5.260	5.575	5.835	5.150	124.46	129.54	133.60	141.61	148.21	130.81
55/110	5.400	5.600	5.760	6.075	6.335	5.650	137.16	142.24	146.30	154.31	160.91	143.51
60/120	5.900	6.100	6.260	6.575	6.835	6.150	149.86	154.94	159.00	167.01	173.61	156.21
61/122	6.000	6.200	6.360	6.675	6.935	6.250	152.40	157.48	161.54	169.55	176.15	158.75
65/130	6.400	6.600	6.760	7.075	7.335	6.650	162.56	167.64	171.70	179.71	186.31	168.91
70/140	6.900	7.100	7.260	7.575	7.835	7.150	175.26	180.34	184.40	192.41	199.01	181.61



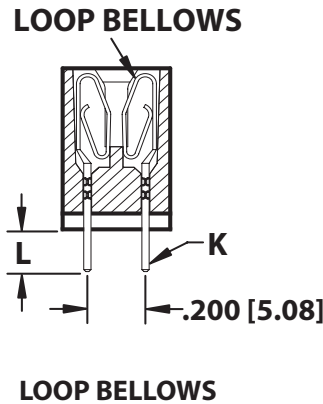
**.100" Contact Centers, .610" Insulator Height,
Special 18/31 with Barrier, Dip Solder/Wire Wrap, [ISA]**

SPECIFICATIONS

- ISA Connector
- Accommodates .062" ± .008" [1.57 ± 0.20] PC Board
- Insulator Material available in PBT, PPS or PA9T
- 3 Amp Current Rating per contact
- Insulator / Contact Specifications and Part Number Coding See Page 82-83
- P/N 04-0004-000 for In Between Contact Position Key See Page 126 (Sold Separately)
- Molded-in Key Available - Consult Factory

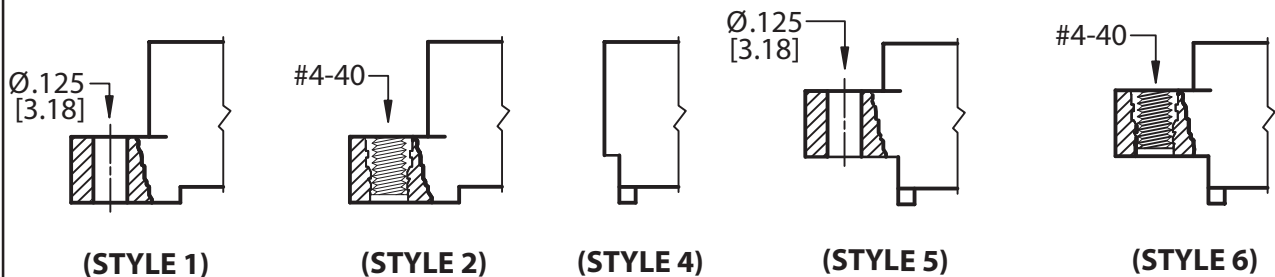


TERMINATION TYPE



TERMINATION CODE	MODIFICATION CODE	TYPE	POST CROSS SECTION K	POST LENGTH L	FITS MIN. HOLE SIZE	EXAMPLE PART NUMBER
R	H	Dip Solder	.026 [0.66] Round	.190 [4.83]	.030 [0.76]	<i>MPSL-0100-18/31-DR-1HK</i>
R	H(.165)	Dip Solder	.026 [0.66] Round	.165 [4.19]	.030 [0.76]	<i>MPSL-0100-18/31-DR-1HK(.165)</i>
W	H	Dip Solder	.025 [0.64] Square	.190 [4.83]	.040 [1.02]	<i>MPSL-0100-18/31-DW-1HK</i>
W	OMIT	Wire Wrap	.025 [0.64] Square	.560 [14.20]	.040 [1.02]	<i>MPSL-0100-18/31-DW-1K</i>

MOUNTING STYLE

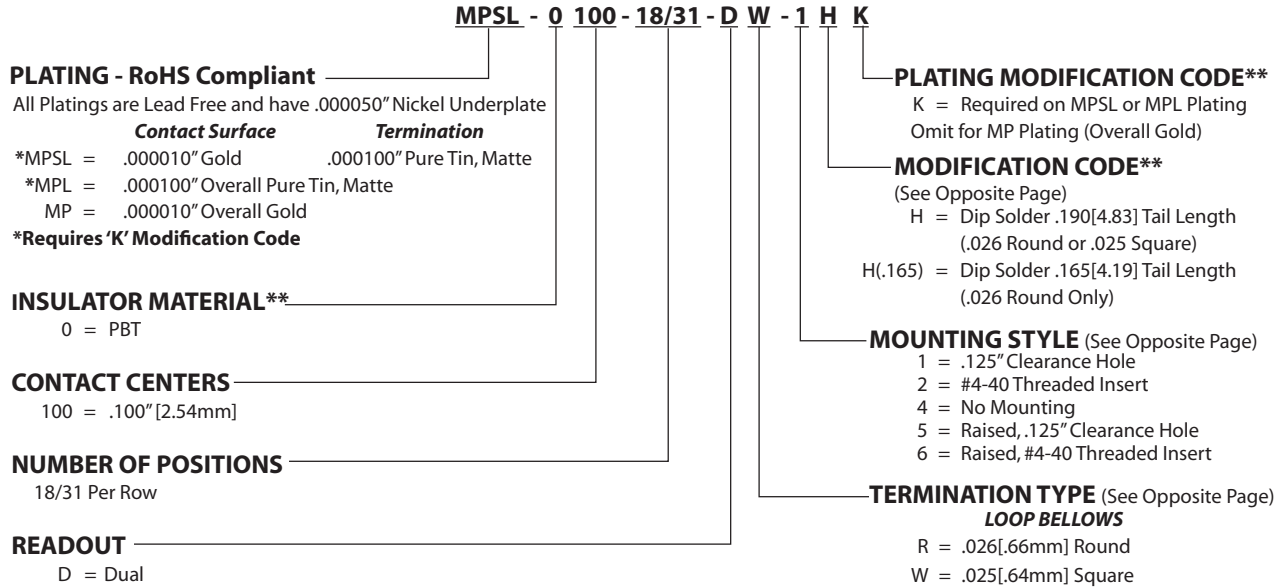


Micro Plastics Edgards



**.100" Contact Centers, .610" Insulator Height,
Special 18/31 with Barrier, Dip Solder/Wire Wrap, [ISA]**

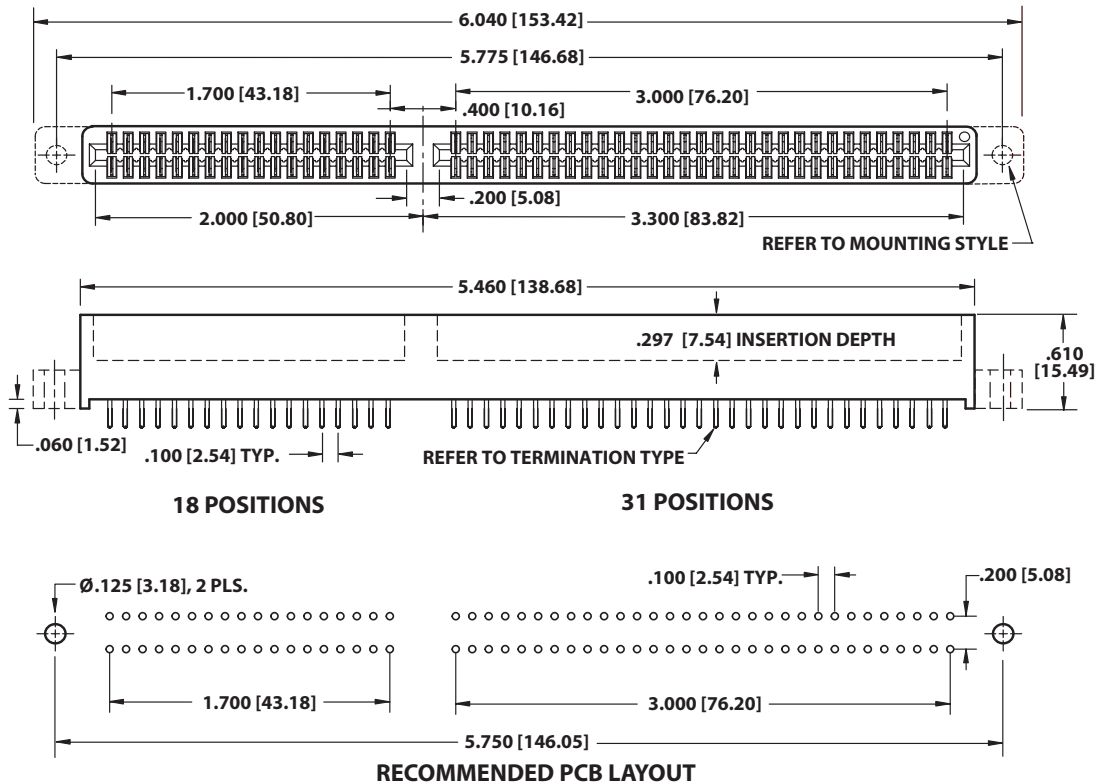
PART NUMBER CODING



**** SEE PAGES 82-83 FOR SPECIFICATIONS AND OTHER VARIATIONS
CONSULT FACTORY FOR RIGHT ANGLE VERSION**

DIMENSIONS

Dimensions in [] are in millimeters, all others are in inches.



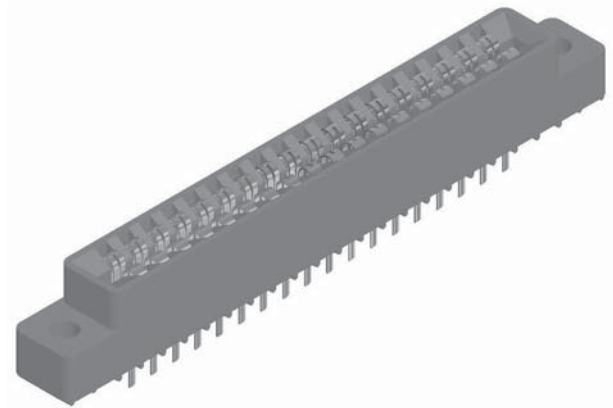
Micro Plastics Edgecards



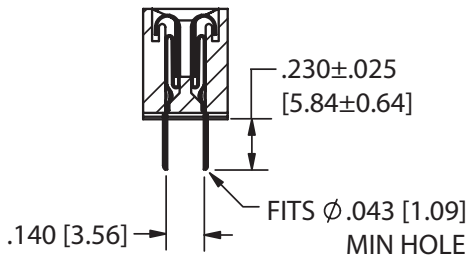
**.125" Contact Centers, .431" Insulator Height,
Dip Solder**

SPECIFICATIONS

- Accommodates $.062" \pm .008"$ [1.57 ± 0.20] PC Board
- Insulator Material available in PBT, PPS or PA9T
- 3 Amp Current Rating per contact
- Insulator / Contact Specifications and Part Number Coding See Page 82-83
- Row Spacing Available in $.140"$ or $.200"$ (Use Modification Code 'X9' for $.200"$)
- P/N 04-0003-000 for In Between Contact Position Key See Page 126 (Sold Separately)
- Molded-in Key Available - Consult Factory

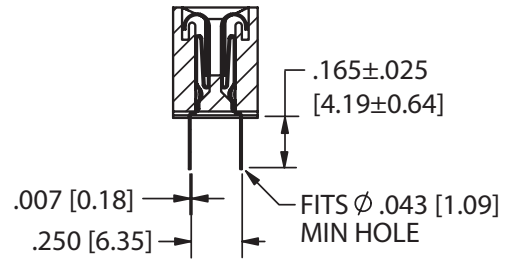


TERMINATION TYPE



**DIP SOLDER (S)
.140" ROW SPACING**

Example P/N: MPSL-0125-10-DS-1K

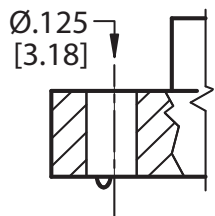


**DIP SOLDER (S)
.250" ROW SPACING
REQUIRES 'X9' MODIFICATION CODE**

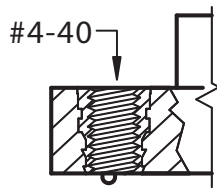
Example P/N: MPSL-0125-10-DS-1X9K

Micro Plastics Edgards

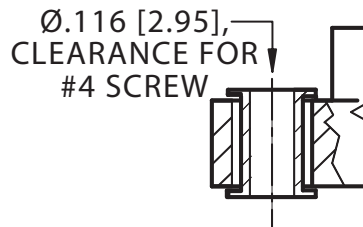
MOUNTING STYLE



(STYLE 1)



(STYLE 2)



(STYLE 3)



(STYLE 4)



PART NUMBER CODING

MPL - 0 125 - 10 - D S - 1 K

PLATING - RoHS Compliant

All Platings are Lead Free and have .000050" Nickel Underplate

Contact Surface Termination

*MPSL = .000010" Gold .000100" Pure Tin, Matte
 *MPL = .000100" Overall Pure Tin, Matte
 MP = .000010" Overall Gold

***Requires 'K' Modification Code**

INSULATOR MATERIAL**

0 = PBT

CONTACT CENTERS

125 = .125" [3.18mm]

NUMBER OF POSITIONS

Contacts Per Row (See Position Chart Below)

MODIFICATION CODE**

K = Required on MP/SL or MPL Plating
 Omit for MP Plating (Overall Gold)
 X9 = .250" Row Spacing

MOUNTING STYLE (See Opposite Page)

1 = .125" Clearance Hole
 2 = #4-40 Threaded Insert
 3 = Floating Bobbin
 4 = No Mounting

TERMINATION TYPE (See Opposite Page)

S = Dip Solder

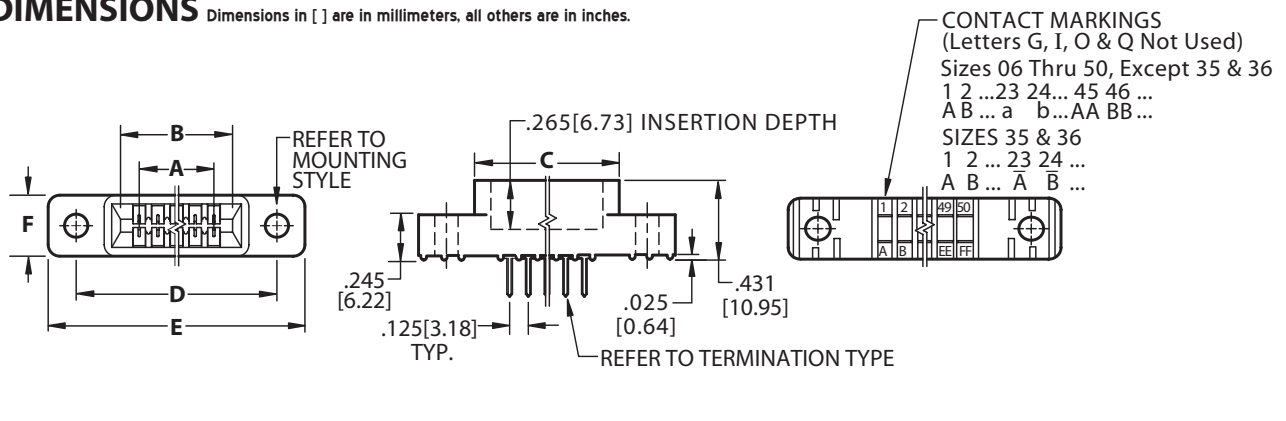
READOUT

D = Dual

**** SEE PAGES 82-83 FOR SPECIFICATIONS AND OTHER VARIATIONS**

DIMENSIONS

Dimensions in [] are in millimeters, all others are in inches.



POSITIONS/ CONTACTS	INCHES					F±.005	MILLIMETERS					F±0.13	
	A±.008	B±.008	C±.015	D±.010	E±.020		A±0.20	B±0.20	C±0.38	D±0.25	E±0.51		
06/12	0.625	0.875	1.035	1.295	1.575	0.330	15.88	22.23	26.29	32.89	40.01	8.38	
10/20	1.125	1.375	1.535	1.795	2.075		28.58	34.93	38.99	45.59	52.71		
14/28	1.625	1.875	2.035	2.295	2.575		41.28	47.63	51.69	58.29	65.41		
15/30	1.750	2.000	2.160	2.420	2.700		44.45	50.80	54.86	61.47	68.58		
18/36	2.125	2.375	2.535	2.795	3.075		53.98	60.33	64.39	70.99	78.11		
22/44	2.625	2.875	3.035	3.295	3.575		66.68	73.03	77.09	83.69	90.81		
28/56	3.375	3.625	3.785	4.045	4.325		85.73	92.08	96.14	102.74	109.86		
30/60	3.625	3.875	4.035	4.295	4.575		92.08	98.43	102.49	109.09	116.21		
31/62	3.750	4.000	4.160	4.420	4.700		95.25	101.60	105.66	112.27	119.38		
35/70	4.250	4.500	4.660	4.920	5.200		107.95	114.30	118.36	124.97	132.08		
36/72	4.375	4.625	4.785	5.045	5.325		111.13	117.48	121.54	128.14	135.26		
37/74	4.500	4.750	4.910	5.170	5.450		114.30	120.65	124.71	131.32	138.43		
40/80	4.875	5.125	5.285	5.545	5.825		123.83	130.18	134.24	140.84	147.96		9.40
43/86	5.250	5.500	5.660	5.920	6.200		133.35	139.70	143.76	150.37	157.48		
44/88	5.375	5.625	5.785	6.045	6.325	136.53	142.88	146.94	153.54	160.66			
49/98	6.000	6.250	6.410	6.670	6.950	152.40	158.75	162.81	169.42	176.53			
50/100	6.125	6.375	6.535	6.795	7.075	155.58	161.93	165.99	172.59	179.71			

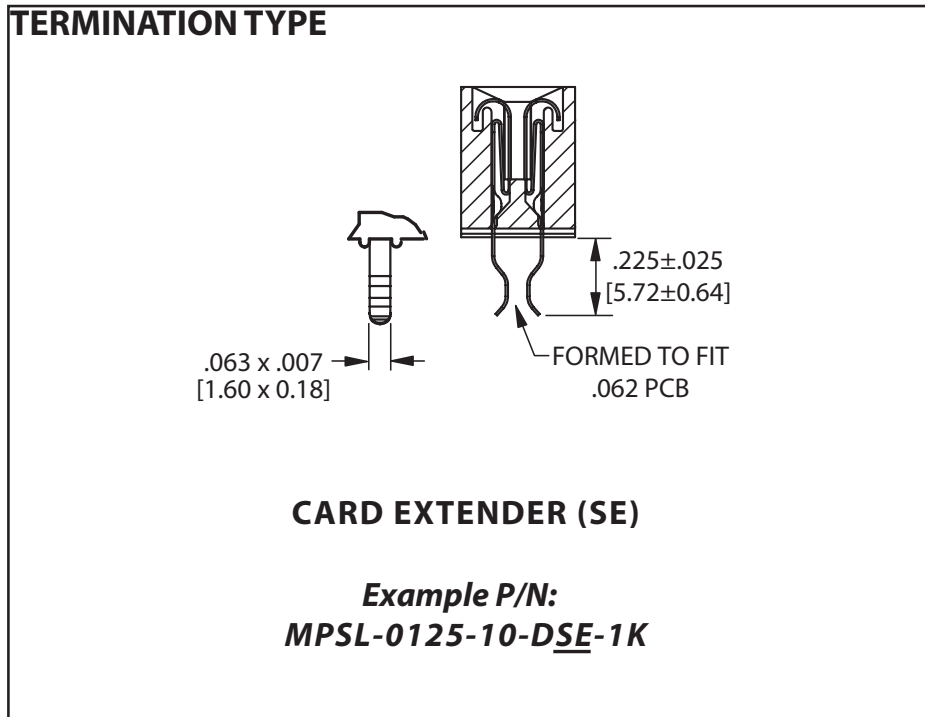
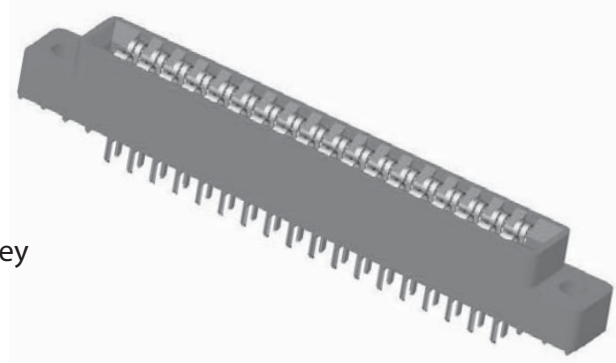
Micro Plastics Edgecards



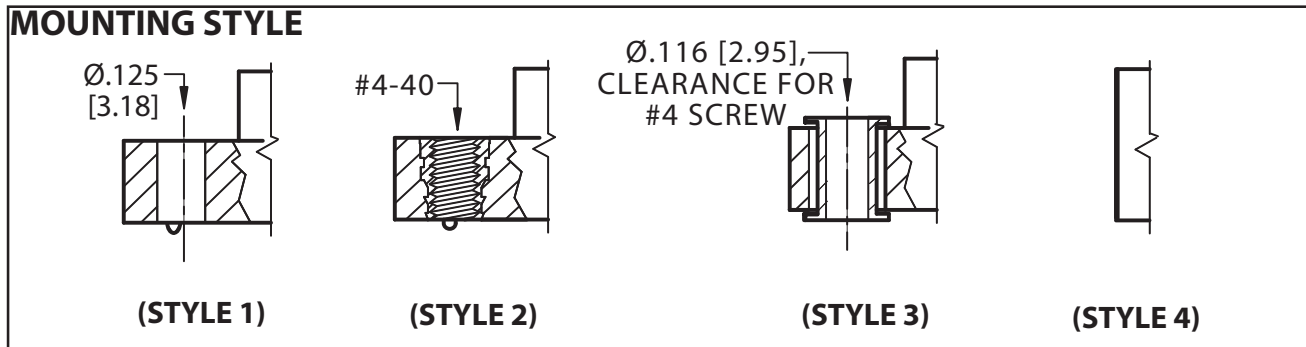
**.125" Contact Centers, .431" Insulator Height,
Card Extender**

SPECIFICATIONS

- Accommodates $.062" \pm .008"$ [1.57 ± 0.20] PC Board
- Insulator Material available in PBT, PPS or PA9T
- 3 Amp Current Rating per contact
- Insulator / Contact Specifications and Part Number Coding See Page 82-83
- P/N 04-0003-000 for In Between Contact Position Key See Page 126 (Sold Separately)
- Molded-in Key Available - Consult Factory

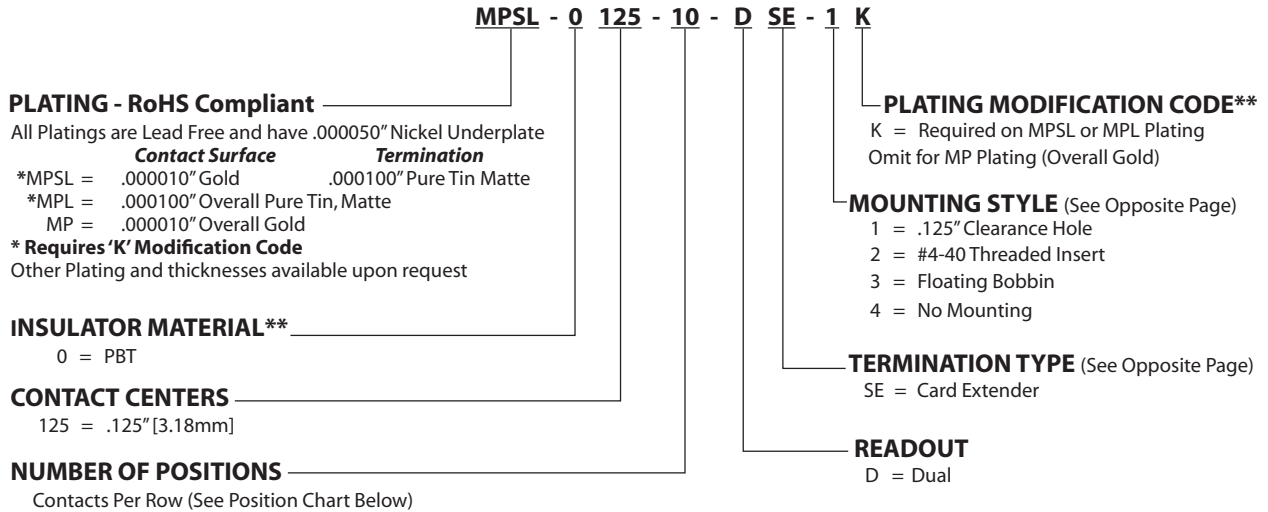


Micro Plastics Edgards





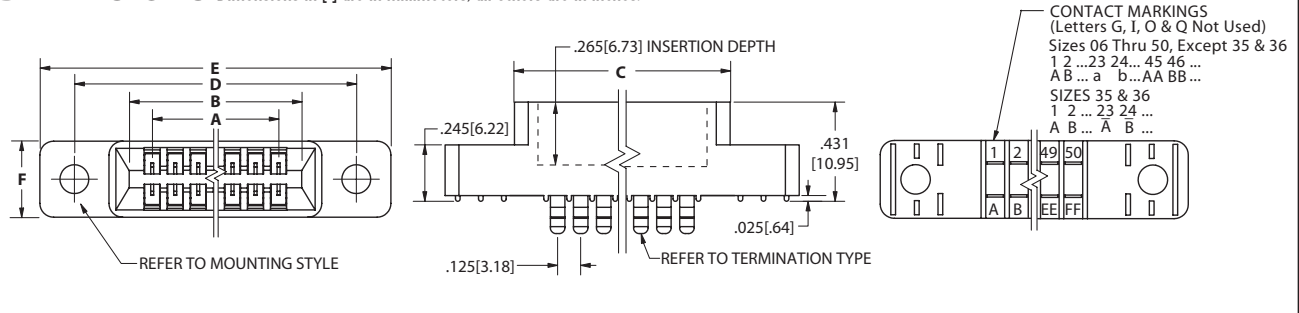
PART NUMBER CODING



**** SEE PAGES 82-83 FOR SPECIFICATIONS AND OTHER VARIATIONS**

DIMENSIONS

Dimensions in [] are in millimeters, all others are in inches.



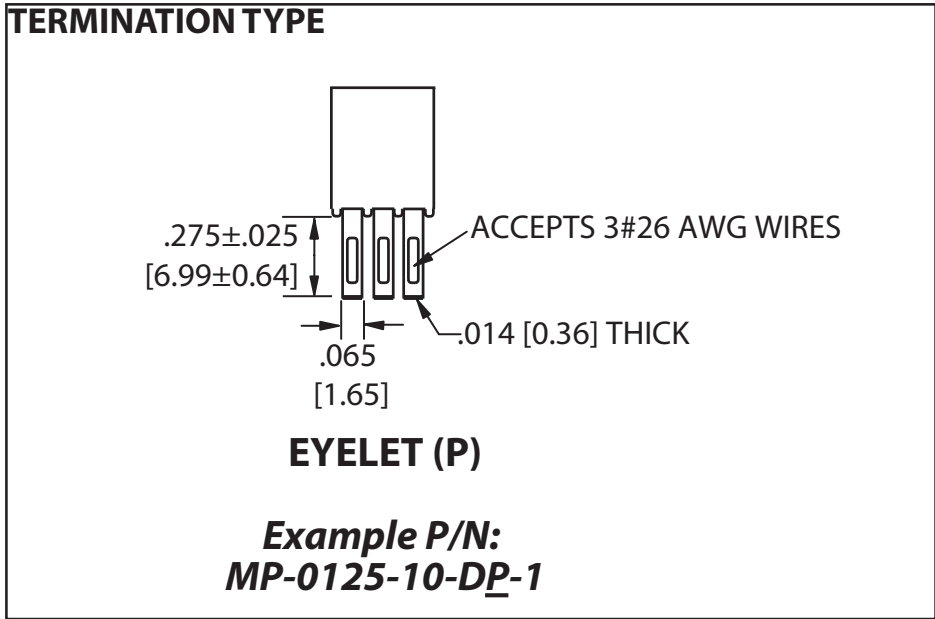
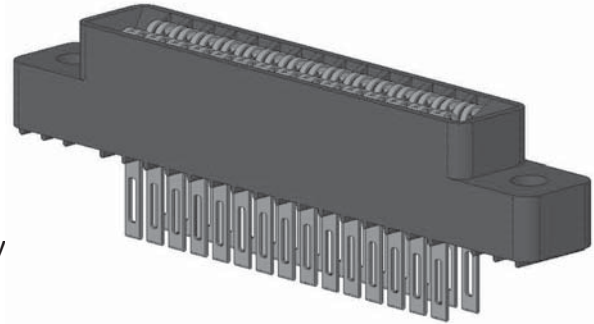
POSITIONS/ CONTACTS	INCHES						MILLIMETERS							
	A±.008	B±.008	C±.015	D±.010	E±.020	F±.005	A±0.20	B±0.20	C±0.38	D±0.25	E±0.51	F±0.13		
06/12	0.625	0.875	1.035	1.295	1.575	0.330	15.88	22.23	26.29	32.89	40.01	8.38		
10/20	1.125	1.375	1.535	1.795	2.075		28.58	34.93	38.99	45.59	52.71			
14/28	1.625	1.875	2.035	2.295	2.575		41.28	47.63	51.69	58.29	65.41			
15/30	1.750	2.000	2.160	2.420	2.700		44.45	50.80	54.86	61.47	68.58			
18/36	2.125	2.375	2.535	2.795	3.075		53.98	60.33	64.39	70.99	78.11			
22/44	2.625	2.875	3.035	3.295	3.575		66.68	73.03	77.09	83.69	90.81			
28/56	3.375	3.625	3.785	4.045	4.325		85.73	92.08	96.14	102.74	109.86			
30/60	3.625	3.875	4.035	4.295	4.575		92.08	98.43	102.49	109.09	116.21			
31/62	3.750	4.000	4.160	4.420	4.700		95.25	101.60	105.66	112.27	119.38			
35/70	4.250	4.500	4.660	4.920	5.200		107.95	114.30	118.36	124.97	132.08			
36/72	4.375	4.625	4.785	5.045	5.325		111.13	117.48	121.54	128.14	135.26			
37/74	4.500	4.750	4.910	5.170	5.450		114.30	120.65	124.71	131.32	138.43			
40/80	4.875	5.125	5.285	5.545	5.825		123.83	130.18	134.24	140.84	147.96		0.370	9.40
43/86	5.250	5.500	5.660	5.920	6.200		133.35	139.70	143.76	150.37	157.48			
44/88	5.375	5.625	5.785	6.045	6.325	136.53	142.88	146.94	153.54	160.66				
49/98	6.000	6.250	6.410	6.670	6.950	152.40	158.75	162.81	169.42	176.53				
50/100	6.125	6.375	6.535	6.795	7.075	155.58	161.93	165.99	172.59	179.71				



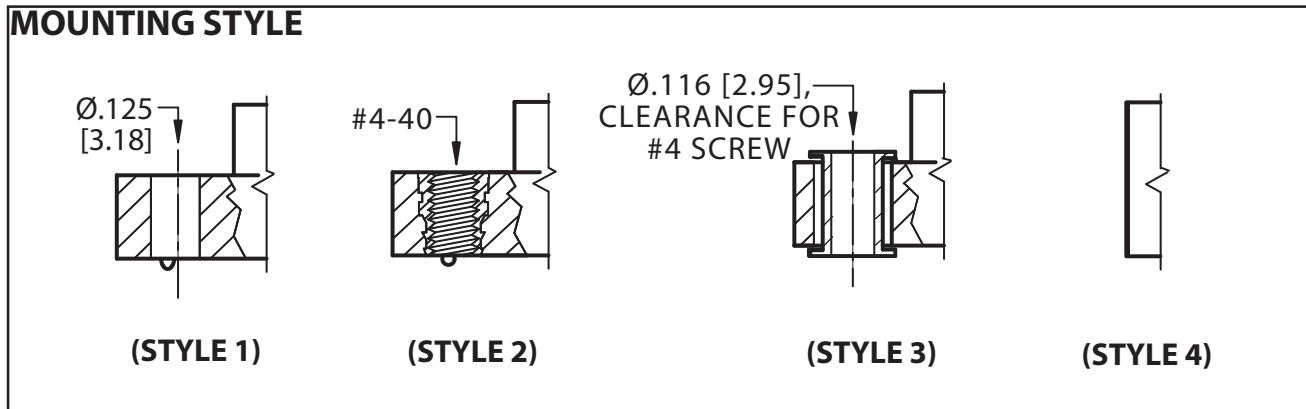
**.125" Contact Centers, .431" Insulator Height,
Eyelet**

SPECIFICATIONS

- Accommodates .062" ± .008" [1.57 ± 0.20] PC Board
- Insulator Material available in PBT, PPS or PA9T
- 3 Amp Current Rating per contact
- Insulator / Contact Specifications and Part Number Coding See Page 82-83
- P/N 04-0004-000 for In Between Contact Position Key See Page 126 (Sold Separately)
- Molded-in Key Available - Consult Factory

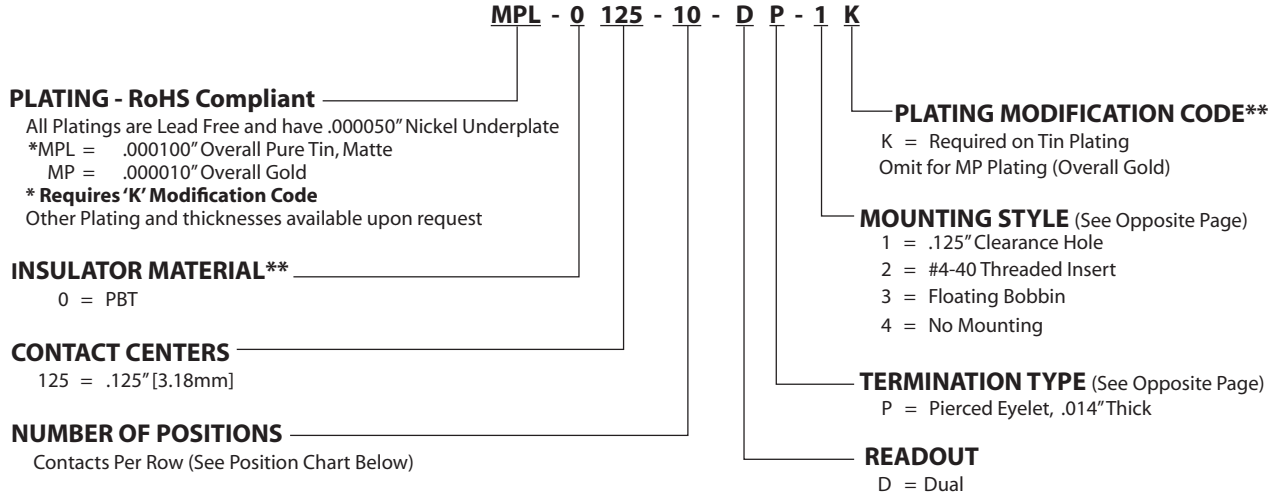


Micro Plastics Edgards

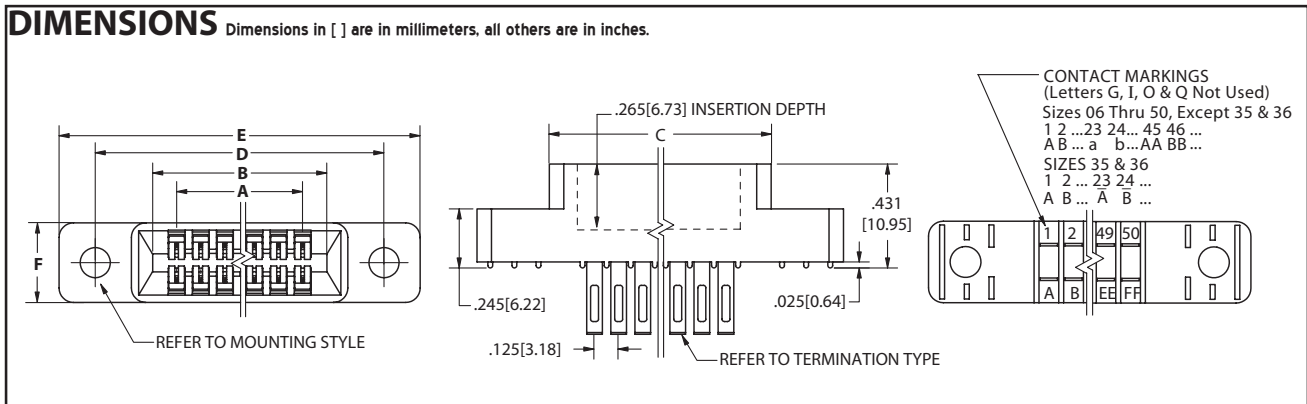




PART NUMBER CODING



**** SEE PAGES 82-83 FOR SPECIFICATIONS AND OTHER VARIATIONS**



POSITIONS/ CONTACTS	INCHES						MILLIMETERS						
	A±.008	B±.008	C±.015	D±.010	E±.020	F±.005	A±0.20	B±0.20	C±0.38	D±0.25	E±0.51	F±0.13	
06/12	0.625	0.875	1.035	1.295	1.575	0.330	15.88	22.23	26.29	32.89	40.01	8.38	
10/20	1.125	1.375	1.535	1.795	2.075		28.58	34.93	38.99	45.59	52.71		
14/28	1.625	1.875	2.035	2.295	2.575		41.28	47.63	51.69	58.29	65.41		
15/30	1.750	2.000	2.160	2.420	2.700		44.45	50.80	54.86	61.47	68.58		
18/36	2.125	2.375	2.535	2.795	3.075		53.98	60.33	64.39	70.99	78.11		
22/44	2.625	2.875	3.035	3.295	3.575		66.68	73.03	77.09	83.69	90.81		
28/56	3.375	3.625	3.785	4.045	4.325		85.73	92.08	96.14	102.74	109.86		
30/60	3.625	3.875	4.035	4.295	4.575		92.08	98.43	102.49	109.09	116.21		
31/62	3.750	4.000	4.160	4.420	4.700		95.25	101.60	105.66	112.27	119.38		
35/70	4.250	4.500	4.660	4.920	5.200		107.95	114.30	118.36	124.97	132.08		
36/72	4.375	4.625	4.785	5.045	5.325		111.13	117.48	121.54	128.14	135.26		
37/74	4.500	4.750	4.910	5.170	5.450		114.30	120.65	124.71	131.32	138.43		
40/80	4.875	5.125	5.285	5.545	5.825		123.83	130.18	134.24	140.84	147.96		9.40
43/86	5.250	5.500	5.660	5.920	6.200		133.35	139.70	143.76	150.37	157.48		
44/88	5.375	5.625	5.785	6.045	6.325	136.53	142.88	146.94	153.54	160.66			
49/98	6.000	6.250	6.410	6.670	6.950	152.40	158.75	162.81	169.42	176.53			
50/100	6.125	6.375	6.535	6.795	7.075	155.58	161.93	165.99	172.59	179.71			

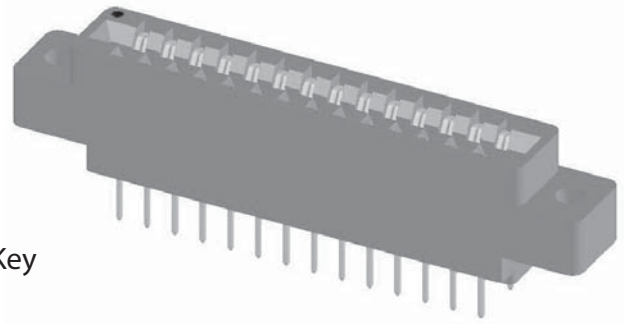
Micro Plastics Edgecards



**.125" Contact Centers, .610" Insulator Height,
Wire Wrap & Dip Solder**

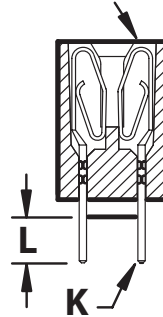
SPECIFICATIONS

- Accommodates .062" ± .008" [1.57 ± 0.20] PC Board
- Insulator Material available in PBT, PPS or PA9T
- 3 Amp Current Rating per contact
- Insulator / Contact Specifications and Part Number Coding See Page 82-83
- P/N 04-0004-000 for In Between Contact Position Key See Page 126 (Sold Separately)
- Molded-in Key Available - Consult Factory



TERMINATION TYPE

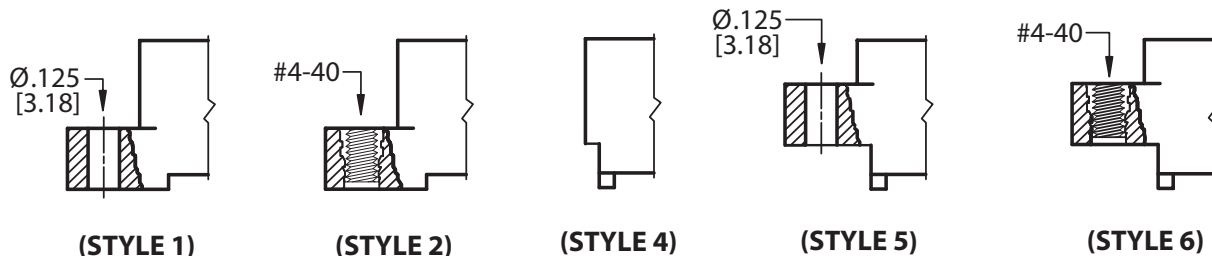
LOOP BELLOWS



LOOP BELLOWS

TERMINATION CODE	MODIFICATION CODE	TYPE	POST CROSS SECTION K	POST LENGTH L	FITS MIN. HOLE SIZE	EXAMPLE PART NUMBER
R	H	Dip Solder	.026 [0.66] Round	.190 [4.83]	.030 [0.76]	<i>MPSL-0125-10-DR-1HK</i>
R	H(.165)	Dip Solder	.026 [0.66] Round	.165 [4.19]	.030 [0.76]	<i>MPSL-0125-10-DR-1HK(.165)</i>
W	H	Dip Solder	.025 [0.64] Square	.190 [4.83]	.040 [1.02]	<i>MPSL-0125-10-DW-1HK</i>
W	OMIT	Wire Wrap	.025 [0.64] Square	.560 [14.20]	.040 [1.02]	<i>MPSL-0125-10-DW-1K</i>

MOUNTING STYLE



Micro Plastics Edgards



PART NUMBER CODING

MPSL - 0 125 - 10 - D W - 1 H K

PLATING - RoHS Compliant
All Platings are Lead Free and have .000050" Nickel Underplate

Contact Surface Termination

*MPSL = .000010" Gold .000100" Pure Tin, Matte
*MPL = .000100" Overall Pure Tin, Matte
MP = .000010" Overall Gold
***Requires 'K' Modification Code**

INSULATOR MATERIAL**
0 = PBT

CONTACT CENTERS
125 = .125" [3.18mm]

NUMBER OF POSITIONS
Contacts Per Row (See Position Chart Below)

READOUT
D = Dual

PLATING MODIFICATION CODE**
K = Required on MPSL or MPL Plating
Omit for MP Plating (Overall Gold)

MODIFICATION CODE**
(See Opposite Page)
H = Dip Solder .190[4.83] Tail Length
(.026 Round or .025 Square)
H(.165) = Dip Solder .165[4.19] Tail Length
(.026 Round Only)

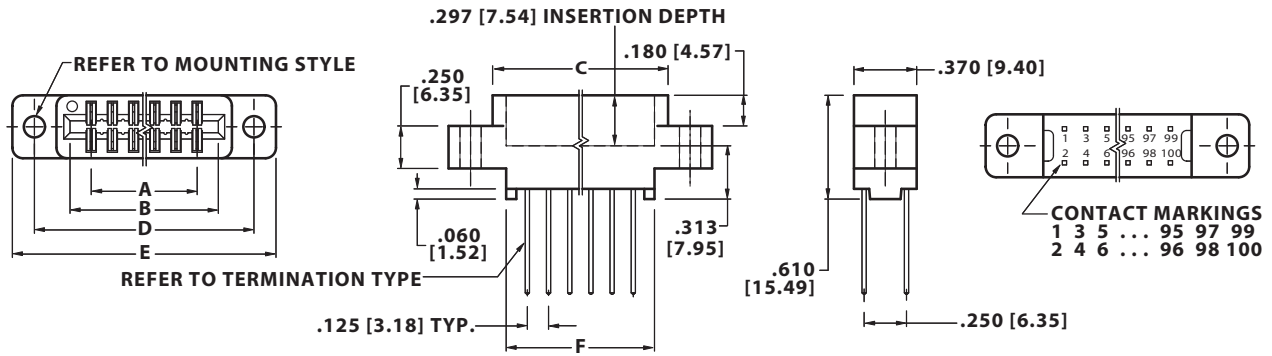
MOUNTING STYLE (See Opposite Page)
1 = .125" Clearance Hole
2 = #4-40 Threaded Insert
4 = No Mounting
5 = Raised, .125" Clearance Hole
6 = Raised, #4-40 Threaded Insert

TERMINATION TYPE (See Opposite Page)
LOOP BELLOWS
R = .026[.66mm] Round
W = .025[.64mm] Square

**** SEE PAGES 82-83 FOR SPECIFICATIONS AND OTHER VARIATIONS**

DIMENSIONS

Dimensions in [] are in millimeters, all others are in inches.



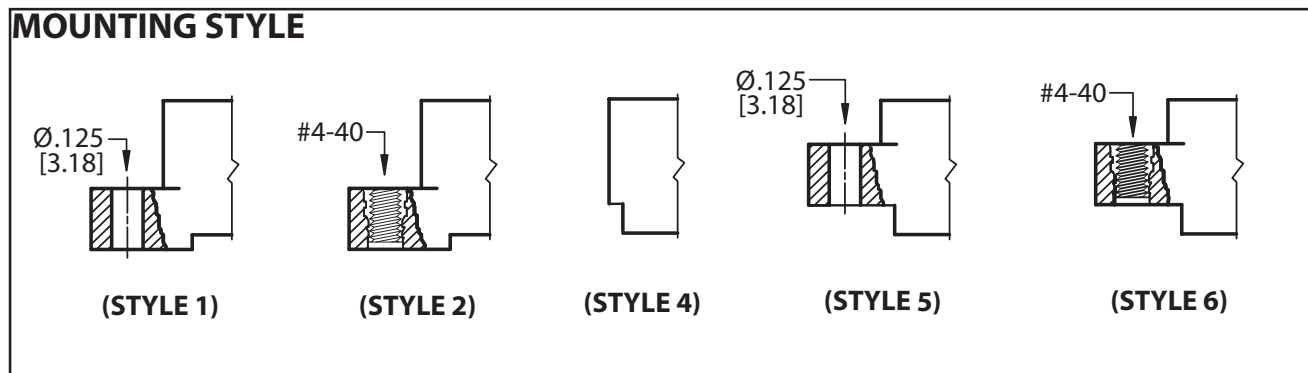
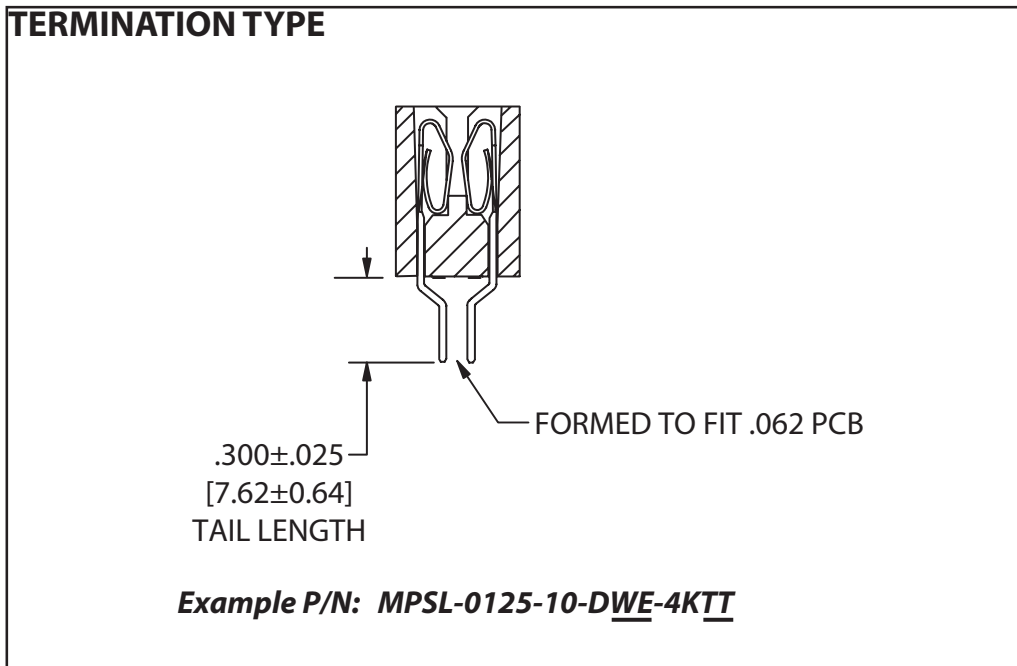
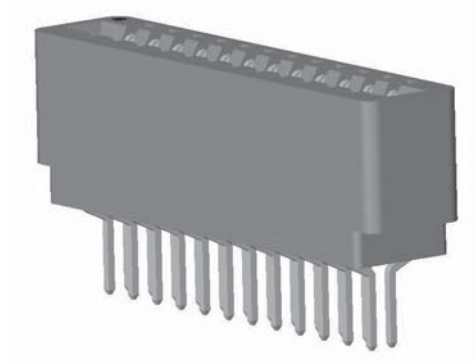
POSITIONS/ CONTACTS	INCHES						MILLIMETERS					
	A±.008	B±.008	C±.015	D±.010	E±.020	F±.015	A±0.20	B±0.20	C±0.38	D±0.25	E±0.51	F±0.38
06/12	0.625	0.875	1.035	1.295	1.555	0.875	15.88	22.23	26.29	32.89	39.50	22.23
10/20	1.125	1.375	1.535	1.795	2.055	1.375	28.58	34.93	38.99	45.59	52.20	34.93
14/28	1.625	1.875	2.035	2.295	2.555	1.875	41.28	47.63	51.69	58.29	64.90	47.63
15/30	1.750	2.000	2.160	2.420	2.680	2.000	44.45	50.80	54.86	61.47	68.07	50.80
18/36	2.125	2.375	2.535	2.795	3.055	2.375	53.98	60.33	64.39	70.99	77.60	60.33
22/44	2.625	2.875	3.035	3.295	3.555	2.875	66.68	73.03	77.09	83.69	90.30	73.03
24/48	2.875	3.125	3.285	3.545	3.805	3.125	73.03	79.38	83.44	90.04	96.65	79.38
28/56	3.375	3.625	3.785	4.045	4.305	3.625	85.73	92.08	96.14	102.74	109.35	92.08
30/60	3.625	3.875	4.035	4.295	4.555	3.875	92.08	98.43	102.49	109.09	115.70	98.43
31/62	3.750	4.000	4.160	4.420	4.680	4.000	95.25	101.60	105.66	112.27	118.87	101.60
32/64	3.875	4.125	4.285	4.545	4.805	4.125	98.43	104.78	108.84	115.44	122.05	104.78
35/70	4.250	4.500	4.660	4.920	5.180	4.500	107.95	114.30	118.36	124.97	131.57	114.30
36/72	4.375	4.625	4.785	5.045	5.305	4.625	111.13	117.48	121.54	128.14	134.75	117.48
40/80	4.875	5.125	5.285	5.545	5.805	5.125	123.83	130.18	134.24	140.84	147.45	130.18
43/86	5.250	5.500	5.660	5.920	6.180	5.500	133.35	139.70	143.76	150.37	156.97	139.70
44/88	5.375	5.625	5.785	6.045	6.305	5.625	136.53	142.88	146.94	153.54	160.15	142.88
49/98	6.000	6.250	6.410	6.670	6.930	6.250	152.40	158.75	162.81	169.42	176.02	158.75
50/100	6.125	6.375	6.535	6.795	7.055	6.375	155.58	161.93	165.99	172.59	179.20	161.93



**.125" Contact Centers, .550" Insulator Height,
.025" Square Card Extender**

SPECIFICATIONS

- Accommodates $.062" \pm .008"$ [1.57 ± 0.20] PC Board
- Insulator Material available in PBT, PPS or PA9T
- 3 Amp Current Rating per contact
- Insulator / Contact Specifications and Part Number Coding See Page 82-83
- P/N 04-0004-000 for In Between Contact Position Key See Page 126 (Sold Separately)
- Molded-in Key Available - Consult Factory





PART NUMBER CODING

MPSL - 0 125 - 10 - D WE - 4 K TT

PLATING - RoHS Compliant
All Platings are Lead Free and have .000050" Nickel Underplate

Contact Surface	Termination
*MPSL = .000010" Gold	.000100" Pure Tin, Matte
*MPL = .000100" Overall Pure Tin, Matte	
MP = .000010" Overall Gold	

*Requires 'K' Modification Code

INSULATOR MATERIAL**
0 = PBT

CONTACT CENTERS
125 = .125" [3.18mm]

NUMBER OF POSITIONS
Contacts Per Row (See Position Chart Below)

READOUT
D = Dual

MODIFICATION CODE**
TT = No Standoffs

PLATING MODIFICATION CODE**
K = Required on MPSL or MPL Plating
Omit for MP Plating (Overall Gold)

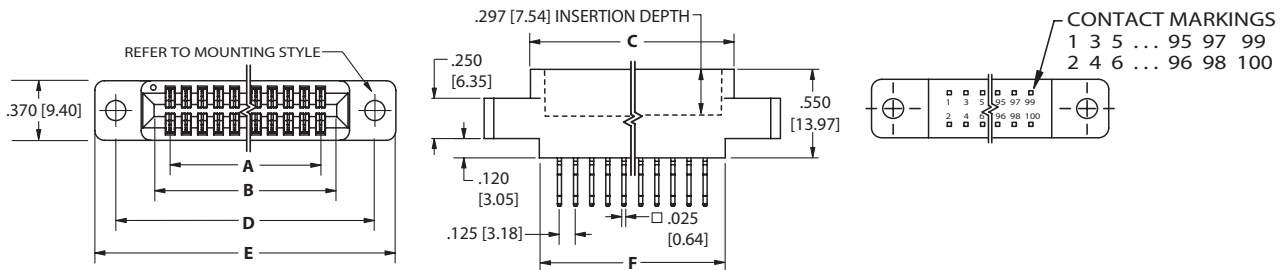
MOUNTING STYLE (See Opposite Page)
1 = .125" Clearance Hole
2 = #4-40 Threaded Insert
4 = No Mounting
5 = Raised, .125" Clearance Hole
6 = Raised, #4-40 Threaded Insert

TERMINATION TYPE (See Opposite Page)
WE = Card Extender

** SEE PAGES 80-83 FOR SPECIFICATIONS AND OTHER VARIATIONS

DIMENSIONS

Dimensions in [] are in millimeters, all others are in inches.



POSITIONS/ CONTACTS	INCHES						MILLIMETERS					
	A±.008	B±.008	C±.015	D±.010	E±.020	F±.015	A±0.20	B±0.20	C±0.38	D±0.25	E±0.51	F±0.38
06/12	0.625	0.875	1.035	1.295	1.555	0.875	15.88	22.23	26.29	32.89	39.50	22.23
10/20	1.125	1.375	1.535	1.795	2.055	1.375	28.58	34.93	38.99	45.59	52.20	34.93
14/28	1.625	1.875	2.035	2.295	2.555	1.875	41.28	47.63	51.69	58.29	64.90	47.63
15/30	1.750	2.000	2.160	2.420	2.680	2.000	44.45	50.80	54.86	61.47	68.07	50.80
18/36	2.125	2.375	2.535	2.795	3.055	2.375	53.98	60.33	64.39	70.99	77.60	60.33
22/44	2.625	2.875	3.035	3.295	3.555	2.875	66.68	73.03	77.09	83.69	90.30	73.03
24/48	2.875	3.125	3.285	3.545	3.805	3.125	73.03	79.38	83.44	90.04	96.65	79.38
28/56	3.375	3.625	3.785	4.045	4.305	3.625	85.73	92.08	96.14	102.74	109.35	92.08
30/60	3.625	3.875	4.035	4.295	4.555	3.875	92.08	98.43	102.49	109.09	115.70	98.43
31/62	3.750	4.000	4.160	4.420	4.680	4.000	95.25	101.60	105.66	112.27	118.87	101.60
32/64	3.875	4.125	4.285	4.545	4.805	4.125	98.43	104.78	108.84	115.44	122.05	104.78
35/70	4.250	4.500	4.660	4.920	5.180	4.500	107.95	114.30	118.36	124.97	131.57	114.30
36/72	4.375	4.625	4.785	5.045	5.305	4.625	111.13	117.48	121.54	128.14	134.75	117.48
40/80	4.875	5.125	5.285	5.545	5.805	5.125	123.83	130.18	134.24	140.84	147.45	130.18
43/86	5.250	5.500	5.660	5.920	6.180	5.500	133.35	139.70	143.76	150.37	156.97	139.70
44/88	5.375	5.625	5.785	6.045	6.305	5.625	136.53	142.88	146.94	153.54	160.15	142.88
49/98	6.000	6.250	6.410	6.670	6.930	6.250	152.40	158.75	162.81	169.42	176.02	158.75
50/100	6.125	6.375	6.535	6.795	7.055	6.375	155.58	161.93	165.99	172.59	179.20	161.93

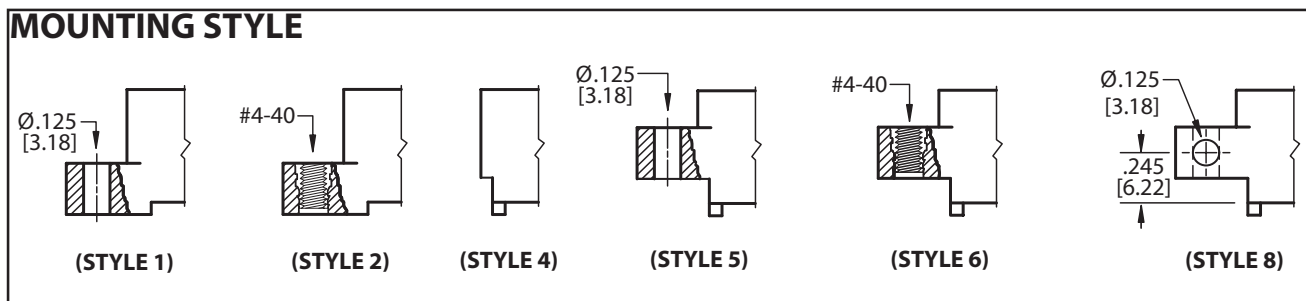
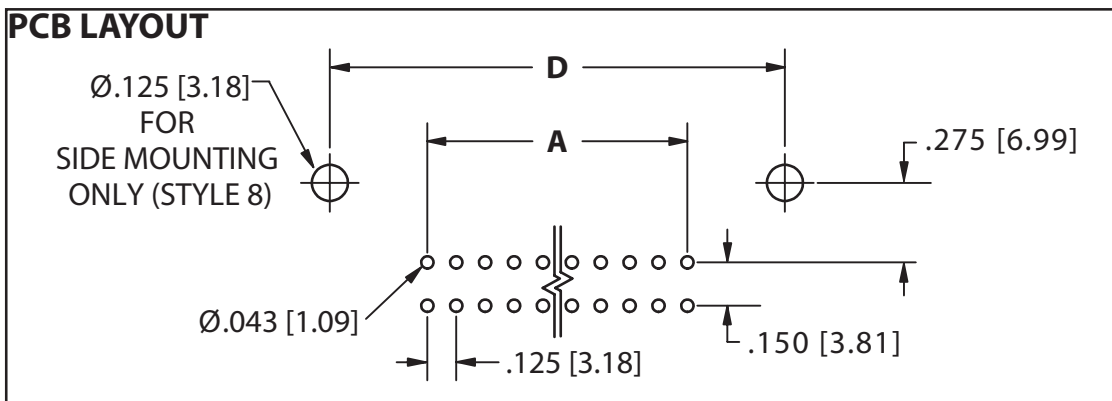
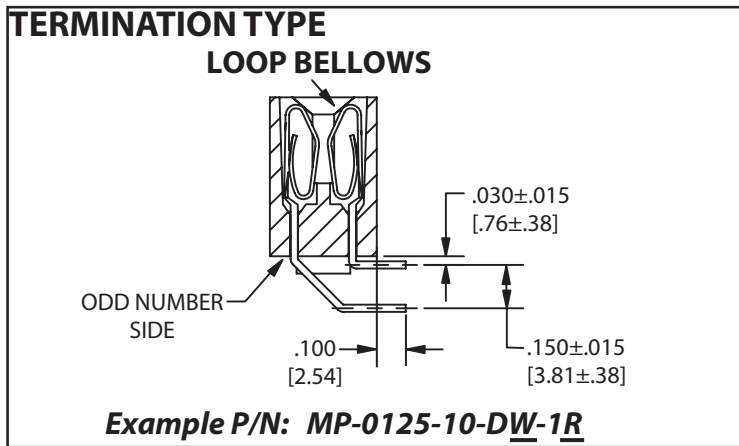
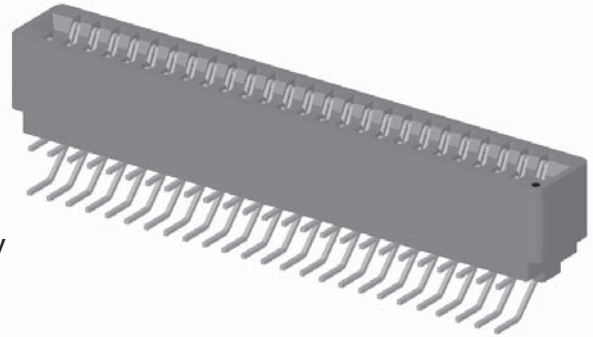
Micro Plastics Edgecards



**.125" Contact Centers, .610" Insulator Height,
Right Angle**

SPECIFICATIONS

- Accommodates .062" ± .008" [1.57 ± 0.20] PC Board
- Insulator Material available in PBT, PPS or PA9T
- 3 Amp Current Rating per contact
- Insulator / Contact Specifications and Part Number Coding See Page 82-83
- P/N 04-0004-000 for In Between Contact Position Key See Page 126 (Sold Separately)
- Molded-in Key Available - Consult Factory



Micro Plastics Edgards



PART NUMBER CODING

MPSL - 0 125 - 10 - D W - 1 K R

PLATING - RoHS Compliant
All Platings are Lead Free and have .000050" Nickel Underplate

Contact Surface	Termination
*MPSL = .000010" Gold	.000100" Pure Tin, Matte
*MPL = .000100" Overall Pure Tin, Matte	
MP = .000010" Overall Gold	

*Requires 'K' Modification Code

INSULATOR MATERIAL**
0 = PBT

CONTACT CENTERS
125 = .125" [3018mm]

NUMBER OF POSITIONS
Contacts Per Row (See Position Chart Below)

READOUT
D = Dual

MODIFICATION CODE**
R = Right Angle

PLATING MODIFICATION CODE**
K = Required on MPSL or MPL Plating
Omit for MP Plating (Overall Gold)

MOUNTING STYLE (See Opposite Page)

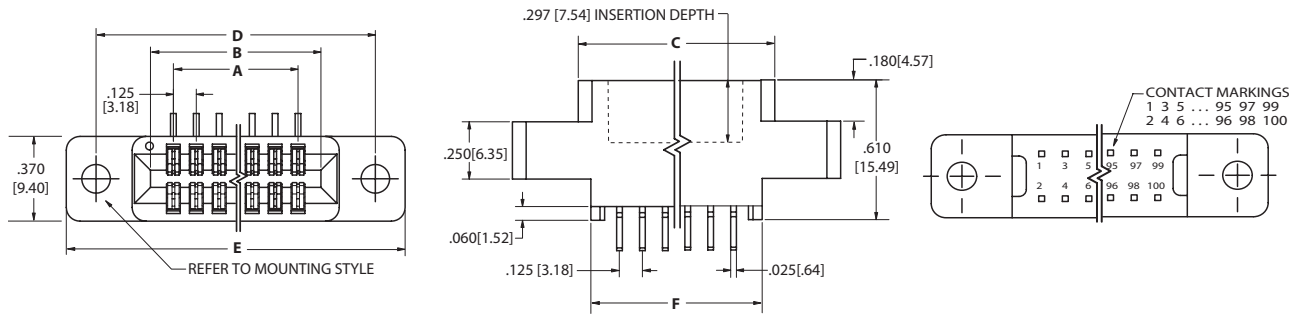
- 1 = .125" Clearance Hole
- 2 = #4-40 Threaded Insert
- 4 = No Mounting
- 5 = Raised, .125" Clearance Hole
- 6 = Raised, #4-40 Threaded Insert
- 8 = Raised, Side Mounting, .125" Clearance Hole

TERMINATION TYPE (See Opposite Page)
LOOP BELLOWS
W = .025 [.64] Square

** SEE PAGES 82-83 FOR SPECIFICATIONS AND OTHER VARIATIONS

DIMENSIONS

Dimensions in [] are in millimeters, all others are in inches.



POSITIONS/ CONTACTS	INCHES						MILLIMETERS					
	A±.008	B±.008	C±.015	D±.010	E±.020	F±.015	A±0.20	B±0.20	C±0.38	D±0.25	E±0.51	F±0.38
06/12	0.625	0.875	1.035	1.295	1.555	0.875	15.88	22.23	26.29	32.89	39.50	22.23
10/20	1.125	1.375	1.535	1.795	2.055	1.375	28.58	34.93	38.99	45.59	52.20	34.93
14/28	1.625	1.875	2.035	2.295	2.555	1.875	41.28	47.63	51.69	58.29	64.90	47.63
15/30	1.750	2.000	2.160	2.420	2.680	2.000	44.45	50.80	54.86	61.47	68.07	50.80
18/36	2.125	2.375	2.535	2.795	3.055	2.375	53.98	60.33	64.39	70.99	77.60	60.33
22/44	2.625	2.875	3.035	3.295	3.555	2.875	66.68	73.03	77.09	83.69	90.30	73.03
24/48	2.875	3.125	3.285	3.545	3.805	3.125	73.03	79.38	83.44	90.04	96.65	79.38
28/56	3.375	3.625	3.785	4.045	4.305	3.625	85.73	92.08	96.14	102.74	109.35	92.08
30/60	3.625	3.875	4.035	4.295	4.555	3.875	92.08	98.43	102.49	109.09	115.70	98.43
31/62	3.750	4.000	4.160	4.420	4.680	4.000	95.25	101.60	105.66	112.27	118.87	101.60
32/64	3.875	4.125	4.285	4.545	4.805	4.125	98.43	104.78	108.84	115.44	122.05	104.78
35/70	4.250	4.500	4.660	4.920	5.180	4.500	107.95	114.30	118.36	124.97	131.57	114.30
36/72	4.375	4.625	4.785	5.045	5.305	4.625	111.13	117.48	121.54	128.14	134.75	117.48
40/80	4.875	5.125	5.285	5.545	5.805	5.125	123.83	130.18	134.24	140.84	147.45	130.18
43/86	5.250	5.500	5.660	5.920	6.180	5.500	133.35	139.70	143.76	150.37	156.97	139.70
44/88	5.375	5.625	5.785	6.045	6.305	5.625	136.53	142.88	146.94	153.54	160.15	142.88
49/98	6.000	6.250	6.410	6.670	6.930	6.250	152.40	158.75	162.81	169.42	176.02	158.75
50/100	6.125	6.375	6.535	6.795	7.055	6.375	155.58	161.93	165.99	172.59	179.20	161.93

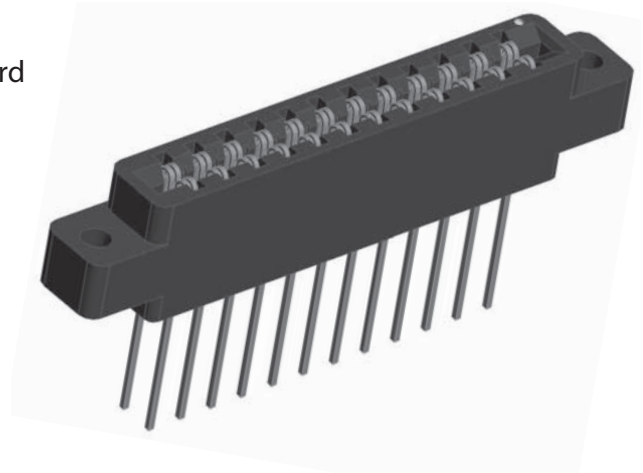
Micro Plastics Edgcards



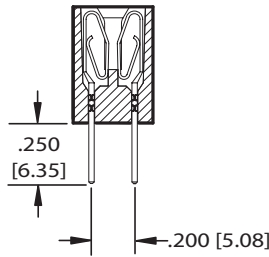
**.150" Contact Centers, .550" Insulator Height,
.025" Square & .026" Round Dip Solder**

SPECIFICATIONS

- Accommodates $.062" \pm .008"$ [1.57 ± 0.20] PC Board
- Insulator Material available in PBT, PPS or PA9T
- 3 Amp Current Rating per contact
- Insulator / Contact Specifications and Part Number Coding See Page 82-83
- P/N 04-0004-000 for In Between Contact Position Key See Page 126 (Sold Separately)
- Molded-in Key Available - Consult Factory

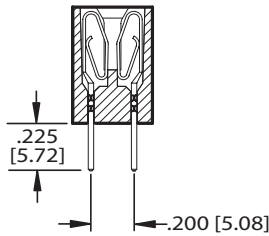


TERMINATION TYPE



.250 [6.35] TAIL LENGTH

Termination Code	Modification Code	Termination Type	Fits Min. Hole Size	Example Part Number
W	H	.025[.64] Square	.040[1.02]	<i>MPSL-0150-18-DW-1HK</i>
R	H	.026[.66] Round	.030[0.76]	<i>MPSL-0150-18-DR-1HK</i>

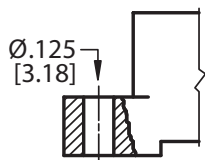


.225 [5.72] TAIL LENGTH

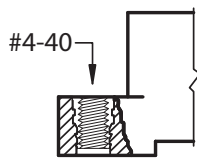
Termination Code	Modification Code	Termination Type	Fits Min. Hole Size	Example Part Number
R	H(.225)	.026[.66] Round	.030[0.76]	<i>MPSL-0150-18-DR-1HK(.225)</i>

Micro Plastics Edgecards

MOUNTING STYLE



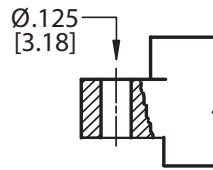
(STYLE 1)



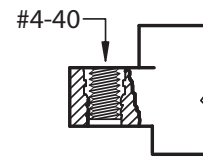
(STYLE 2)



(STYLE 4)



(STYLE 5)



(STYLE 6)



**.150" Contact Centers, .550" Insulator Height,
.025" Square & .026" Round Dip Solder**

PART NUMBER CODING

MPSL - 0 150 - 18 - D W - 1 H K

PLATING - RoHS Compliant
All Platings are Lead Free and have .000050" Nickle Underplate

Contact Surface Termination

*MPSL = .000010" Gold .000100" Pure Tin Matte
*MPL = .000100" Overall Pure Tin, Matte
MP = .000010" Overall Gold

*** Requires 'K' Modification Code**

INSULATOR MATERIAL**
0 = PBT

CONTACT CENTERS
150 = .150" [3.81mm]

NUMBER OF POSITIONS
Contacts Per Row (See Position Chart Below)

READOUT
D = Dual

PLATING MODIFICATION CODE**
K = Required on MPSL or MPL Plating
Omit for MP Plating (Overall Gold)

MODIFICATION CODE**
(See Opposite Page)
H = Dip Solder .250[6.35] Tail Length
(.026 Round or .025 Square)
H(.225) = Dip Solder .225[5.72] Tail Length
(.026 Round Only)

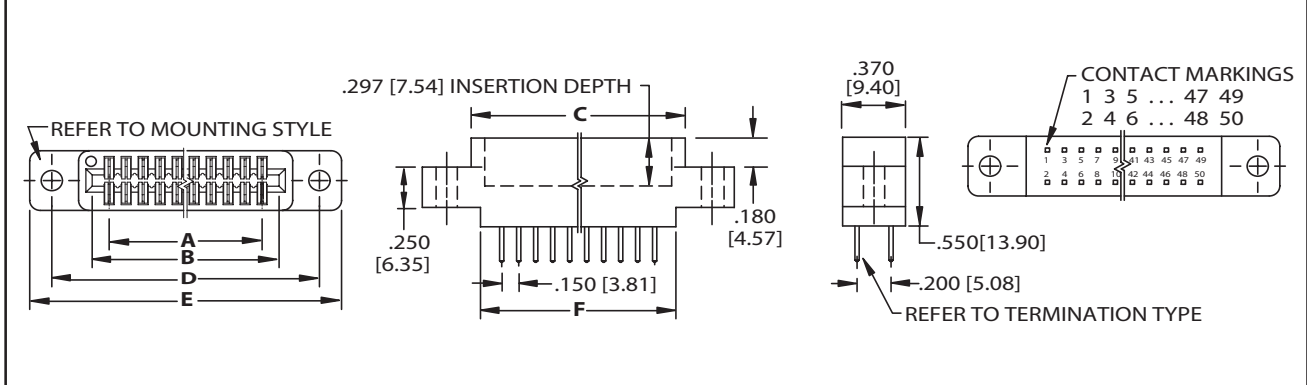
MOUNTING STYLE (See Opposite Page)
1 = .125" Clearance Hole
2 = #4-40 Threaded Insert
4 = No Mounting
5 = Raised, .125" Clearance Hole
6 = Raised, #4-40 Threaded Insert

TERMINATION TYPE (See Opposite Page)
LOOP BELLOWS
(MPSL Plating Code Only)
W = .025[.64mm] Square
R = .026[.66mm] Round

**** SEE PAGES 82-83 FOR SPECIFICATIONS AND OTHER VARIATIONS**

DIMENSIONS

Dimensions in [] are in millimeters, all others are in inches.



Micro Plastics Edgcards

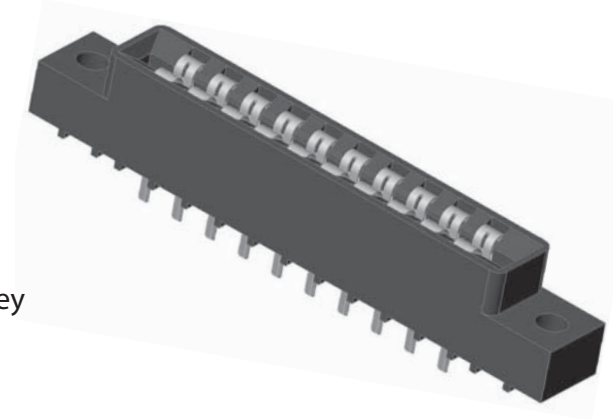
POSITIONS/ CONTACTS	INCHES						[MILLIMETERS]					
	A±.010	B±.010	C±.015	D±.015	E±.020	F±.015	A±0.25	B±0.25	C±0.38	D±0.38	E±0.51	F±0.20
18/36	2.550	2.850	2.990	3.300	3.550	2.800	64.77	72.39	75.95	83.82	90.17	71.12
25/50	3.600	3.900	4.040	-----	-----	3.850	91.44	99.06	102.62	-----	-----	97.79
26/52	3.750	4.050	4.190	4.500	4.750	4.000	95.25	102.87	106.43	114.30	120.65	101.60
28/56	4.050	4.350	4.490	4.800	5.050	4.300	102.87	110.49	114.05	121.92	128.27	109.22
32/64	4.650	4.950	5.090	-----	-----	4.900	118.11	125.73	129.29	-----	-----	124.46
50/100	7.350	7.650	7.800	-----	-----	7.600	186.69	194.31	198.12	-----	-----	193.04



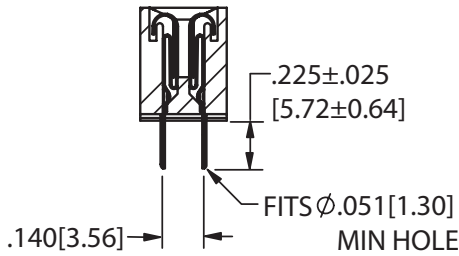
**.156" Contact Centers, .431" Insulator Height,
Dip Solder**

SPECIFICATIONS

- Accommodates $.062" \pm .008"$ [1.57 ± 0.20] PC Board
- Insulator Material available in PBT, PPS or PA9T
- 3 Amp Current Rating per contact
- Insulator / Contact Specifications and Part Number Coding See Page 82-83
- Row Spacing Available in $.140"$ or $.200"$ (Use Modification Code 'E9' or 'X9' for $.200"$)
- P/N 04-0003-000 for In Between Contact Position Key
P/N 04-0002-000 for In Contact Position Key
See Page 126 (Sold Separately)
- Molded-in Key Available - Consult Factory

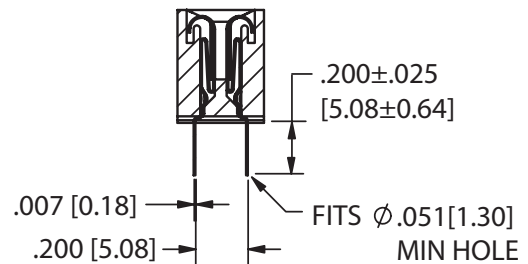


TERMINATION TYPE



**DIP SOLDER (S)
.140" ROW SPACING**

Example P/N: MPSL-0156-10-DS-1K

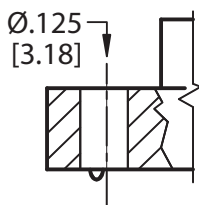


**DIP SOLDER (S)
.200" ROW SPACING
REQUIRES 'X9' MODIFICATION CODE**

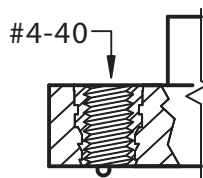
Example P/N: MPSL-0156-10-DS-1X9K

Micro Plastics Edgards

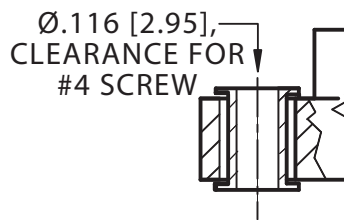
MOUNTING STYLE



(STYLE 1)



(STYLE 2)



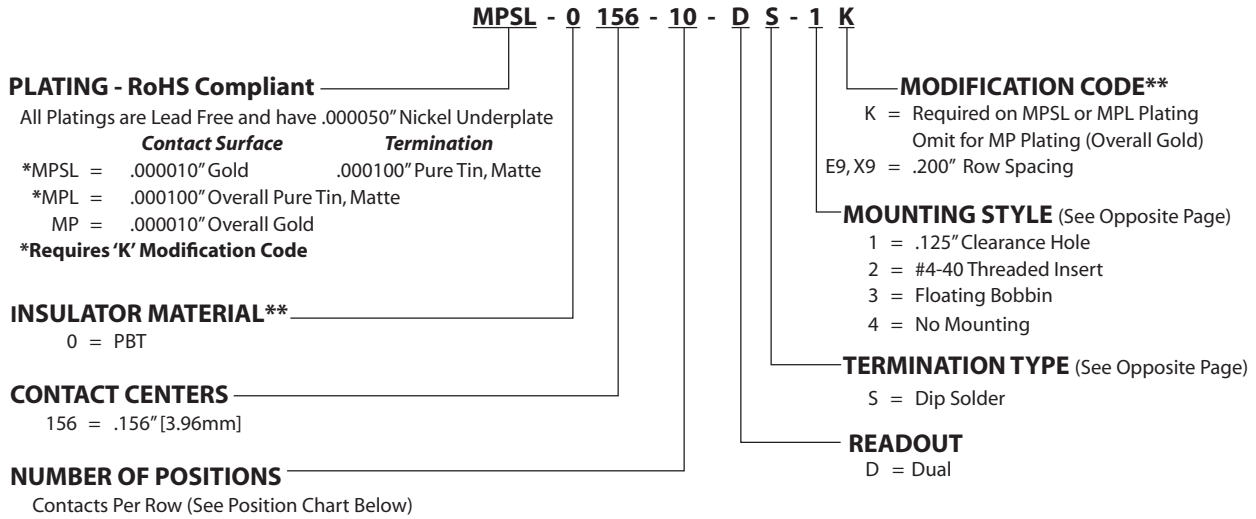
(STYLE 3)



(STYLE 4)



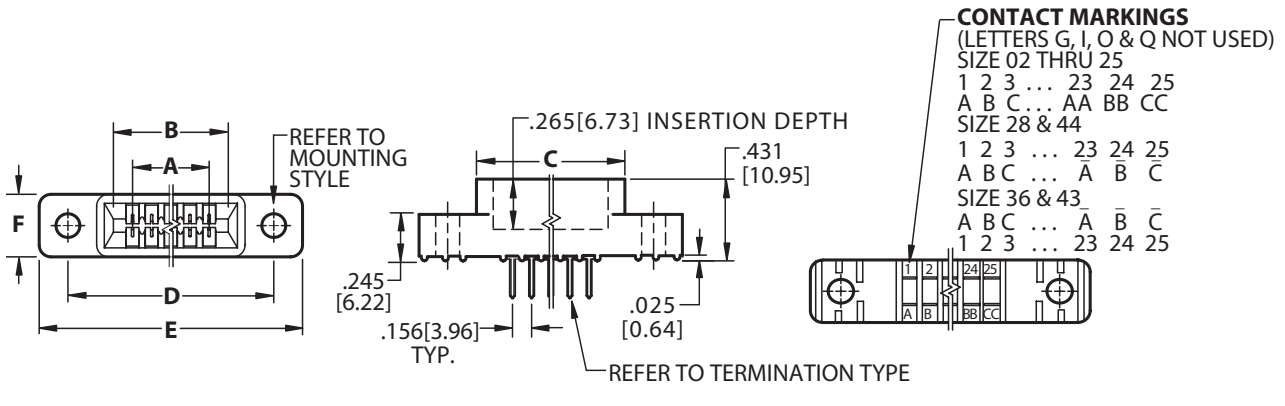
PART NUMBER CODING



**** SEE PAGES 82-83 FOR SPECIFICATIONS AND OTHER VARIATIONS**

DIMENSIONS

Dimensions in [] are in millimeters, all others are in inches.



POSITIONS/ CONTACTS	INCHES					[MILLIMETERS]						
	A±.008	B±.008	C±.015	D±.010	E MAX	F±.005	A±0.20	B±0.20	C±0.38	D±0.25	E MAX	F±0.13
02/04	0.156	0.476	0.596	'N' MOUNTING		0.325	3.96	12.09	15.14	'N' MOUNTING		
03/06	0.312	0.632	0.752	'N' MOUNTING			7.92	16.05	19.10	'N' MOUNTING		
06/12	0.780	1.100	1.220	1.533	1.902		19.81	27.94	30.99	38.94	48.31	
08/16	1.092	1.412	1.532	1.845	2.214		27.74	35.86	38.91	46.86	56.24	
10/20	1.404	1.724	1.844	2.157	2.526		35.66	43.79	46.84	54.79	64.16	
11/22	1.560	1.880	2.000	2.313	2.682		39.62	47.75	50.80	58.75	68.12	
12/24	1.716	2.036	2.156	2.469	2.838		43.59	51.71	54.76	62.71	72.09	
15/30	2.184	2.504	2.624	2.937	3.306		55.47	63.60	66.65	74.60	83.97	
18/36	2.652	2.972	3.092	3.405	3.774		67.36	75.49	78.54	86.49	95.86	
22/44	3.276	3.596	3.716	4.029	4.398		83.21	91.34	94.39	102.34	111.71	
24/48	3.588	3.908	4.028	4.341	4.710		91.14	99.26	102.31	110.26	119.63	
25/50	3.744	4.064	4.184	4.497	4.866		95.10	103.23	106.27	114.22	123.60	
28/56	4.212	4.532	4.652	4.965	5.334		106.98	115.11	118.16	126.11	135.48	
36/72	5.460	5.780	5.900	6.213	6.582	138.68	146.81	149.86	157.81	167.18		
43/86	6.552	6.872	6.992	7.305	7.674	166.42	174.55	177.60	185.55	194.92		
44/88	6.708	7.028	7.148	7.461	7.830	170.38	178.51	181.56	189.51	198.88		

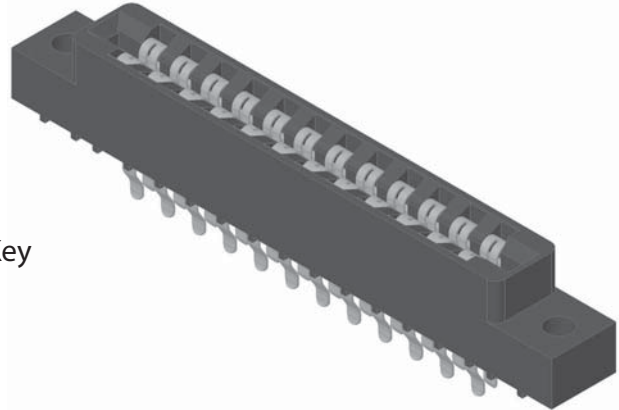
Micro Plastics Edgecards



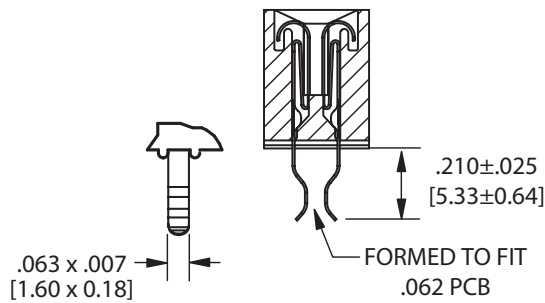
**.156" Contact Centers, .431" Insulator Height,
Card Extender**

SPECIFICATIONS

- Accommodates $.062" \pm .008"$ [1.57 ± 0.20] PC Board
- Insulator Material available in PBT, PPS or PA9T
- 3 Amp Current Rating per contact
- Insulator / Contact Specifications and Part Number Coding See Page 82-83
- P/N 04-0003-000 for In Between Contact Position Key
P/N 04-0002-000 for In Contact Position Key
See Page 126 (Sold Separately)
- Molded-in Key Available - Consult Factory

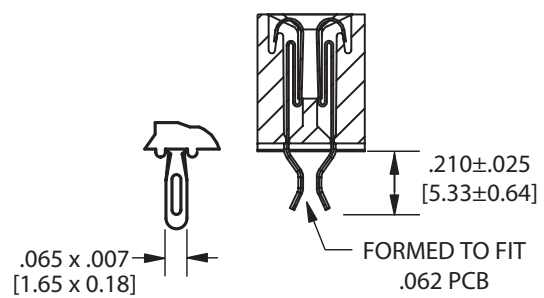


TERMINATION TYPE



CARD EXTENDER (SE)

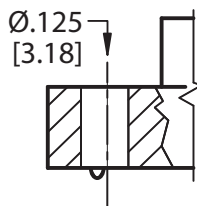
Example P/N: MPSL-0156-10-DSE-1K



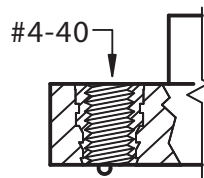
**ECONOMY EYELET
CARD EXTENDER (PE)**

Example P/N: EMPL-0156-10-DPE-1K

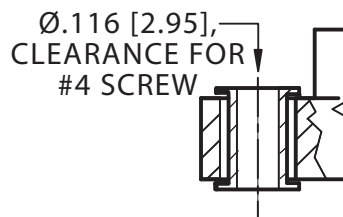
MOUNTING STYLE



(STYLE 1)



(STYLE 2)



(STYLE 3)



(STYLE 4)



PART NUMBER CODING

MPSL - 0 156 - 10 - D SE - 1 K

PLATING - RoHS Compliant

All Platings are Lead Free and have .000050" Nickel Underplate

Contact Surface Termination

- *MPSL = .000010" Gold .000100" Pure Tin Matte
- *MPL = .000100" Overall Pure Tin, Matte
- MP = .000010" Overall Gold

Platings that start with 'E' are for Economy Eyelet Only

- *EMPSL = .000010" Gold .000100" Pure Tin Matte
- *EMPL = .000100" Overall Pure Tin, Matte
- EMP = .000010" Overall Gold

*** Requires 'K' Modification Code**

Other Plating and thicknesses available upon request

INSULATOR MATERIAL**

0 = PBT

CONTACT CENTERS

156 = .156" [3.96mm]

NUMBER OF POSITIONS

Contacts Per Row (See Position Chart Below)

PLATING MODIFICATION CODE**

K = Required on MPSL or MPL Plating
Omit for MP Plating (Overall Gold)

MOUNTING STYLE (See Opposite Page)

- 1 = .125" Clearance Hole
- 2 = #4-40 Threaded Insert
- 3 = Floating Bobbin
- 4 = No Mounting

TERMINATION TYPE (See Opposite Page)

SE = Card Extender
Requires Part Number to start with 'M'
PE = Economy Eyelet Card Extender
Requires Part Number to start with 'E'

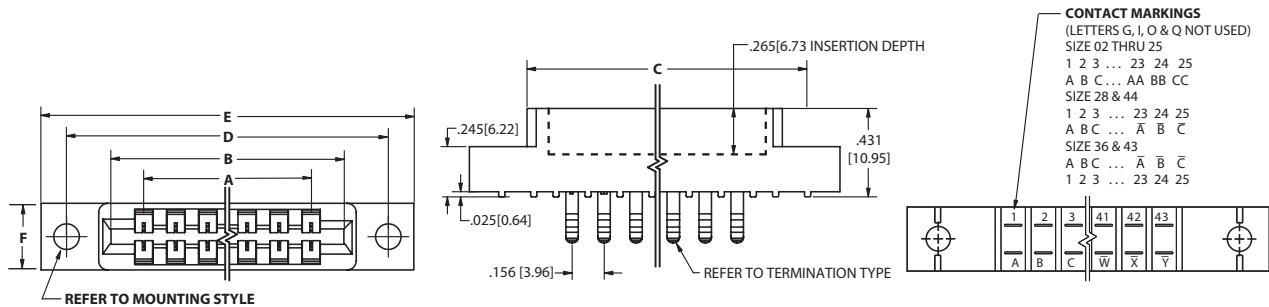
READOUT

D = Dual

**** SEE PAGES 82-83 FOR SPECIFICATIONS AND OTHER VARIATIONS**

DIMENSIONS

Dimensions in [] are in millimeters, all others are in inches.



POSITIONS/ CONTACTS	INCHES						[MILLIMETERS]					
	A±.008	B±.008	C±.015	D±.010	E MAX	F±.005	A±0.20	B±0.20	C±0.38	D±0.25	E MAX	F±0.13
02/04	0.156	0.476	0.596	'N' MOUNTING			3.96	12.09	15.14	'N' MOUNTING		
03/06	0.312	0.632	0.752	'N' MOUNTING			7.92	16.05	19.10	'N' MOUNTING		
06/12	0.780	1.100	1.220	1.533	1.902	0.325	19.81	27.94	30.99	38.94	48.31	8.26
08/16	1.092	1.412	1.532	1.845	2.214		27.74	35.86	38.91	46.86	56.24	
10/20	1.404	1.724	1.844	2.157	2.526		35.66	43.79	46.84	54.79	64.16	
11/22	1.560	1.880	2.000	2.313	2.682		39.62	47.75	50.80	58.75	68.12	
12/24	1.716	2.036	2.156	2.469	2.838		43.59	51.71	54.76	62.71	72.09	
15/30	2.184	2.504	2.624	2.937	3.306		55.47	63.60	66.65	74.60	83.97	
18/36	2.652	2.972	3.092	3.405	3.774		67.36	75.49	78.54	86.49	95.86	
22/44	3.276	3.596	3.716	4.029	4.398		83.21	91.34	94.39	102.34	111.71	
24/48	3.588	3.908	4.028	4.341	4.710		91.14	99.26	102.31	110.26	119.63	
25/50	3.744	4.064	4.184	4.497	4.866		95.10	103.23	106.27	114.22	123.60	
28/56	4.212	4.532	4.652	4.965	5.334	0.438	106.98	115.11	118.16	126.11	135.48	11.13
36/72	5.460	5.780	5.900	6.213	6.582		138.68	146.81	149.86	157.81	167.18	
43/86	6.552	6.872	6.992	7.305	7.674	0.500	166.42	174.55	177.60	185.55	194.92	12.70
44/88	6.708	7.028	7.148	7.461	7.830		170.38	178.51	181.56	189.51	198.88	

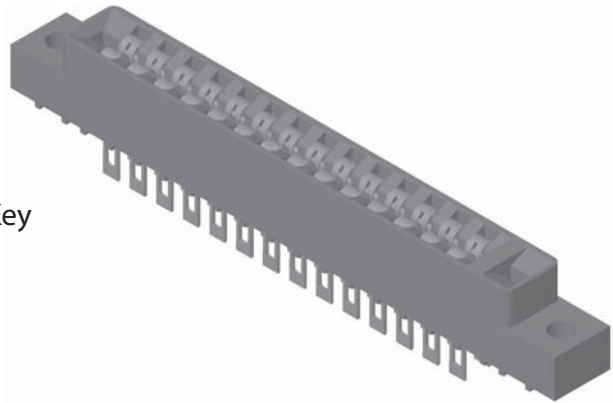
Micro Plastics Edgecards



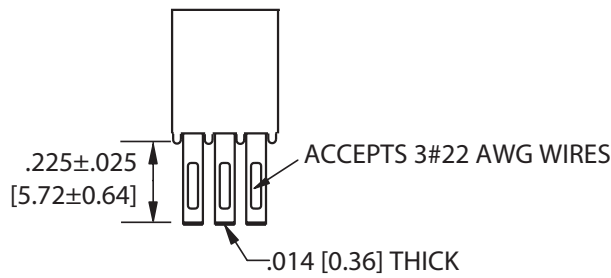
**.156" Contact Centers, .431" Insulator Height,
Eyelet**

SPECIFICATIONS

- Accommodates $.062" \pm .008"$ [1.57 ± 0.20] PC Board
- Insulator Material available in PBT, PPS or PA9T
- 3 Amp Current Rating per contact
- Insulator / Contact Specifications and Part Number Coding See Page 82-83
- P/N 04-0003-000 for In Between Contact Position Key
P/N 04-0002-000 for In Contact Position Key
See Page 126 (Sold Separately)
- Molded-in Key Available - Consult Factory

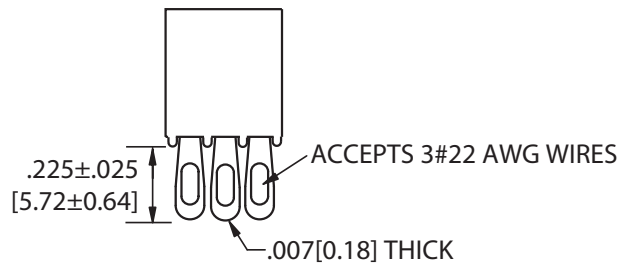


TERMINATION TYPE



EYELET (P)

Example P/N: MP-0156-10-DP-1

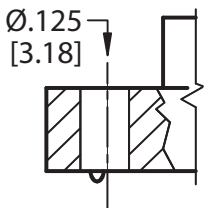


ECONOMY EYELET (P)

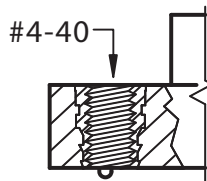
Example P/N: EMPSL-0156-10-DP-1K

Micro Plastics Edgards

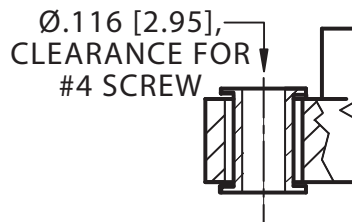
MOUNTING STYLE



(STYLE 1)



(STYLE 2)



(STYLE 3)



(STYLE 4)



PART NUMBER CODING

MPL - 0 156 - 10 - D P - 1 K

PLATING - RoHS Compliant

All Platings are Lead Free and have .000050" Nickel Underplate

Contact Surface Termination

*MPL = .000100" Overall Pure Tin, Matte
MP = .000010" Overall Gold

Platings that start with 'E' are for Economy Eyelet Only

*EMPSL = .000010" Gold .000100" Pure Tin Matte
*EMPL = .000100" Overall Pure Tin, Matte
EMP = .000010" Overall Gold

*** Requires 'K' Modification Code**
Other Plating and thicknesses available upon request

INSULATOR MATERIAL **

0 = PBT

CONTACT CENTERS

156 = .156" [3.96mm]

NUMBER OF POSITIONS

Contacts Per Row (See Position Chart Below)

PLATING MODIFICATION CODE**

K = Required on Tin Plating Terminations
Omit for MP and EMP Plating (Overall Gold)

MOUNTING STYLE (See Opposite Page)

1 = .125" Clearance Hole
2 = #4-40 Threaded Insert
3 = Floating Bobbin
4 = No Mounting

TERMINATION TYPE (See Opposite Page)

P = Pierced Eyelet, .014" Thick
MPL and MP Plating Only
P = Economy Eyelet, .007" Thick
Requires Part Number to start with 'E'

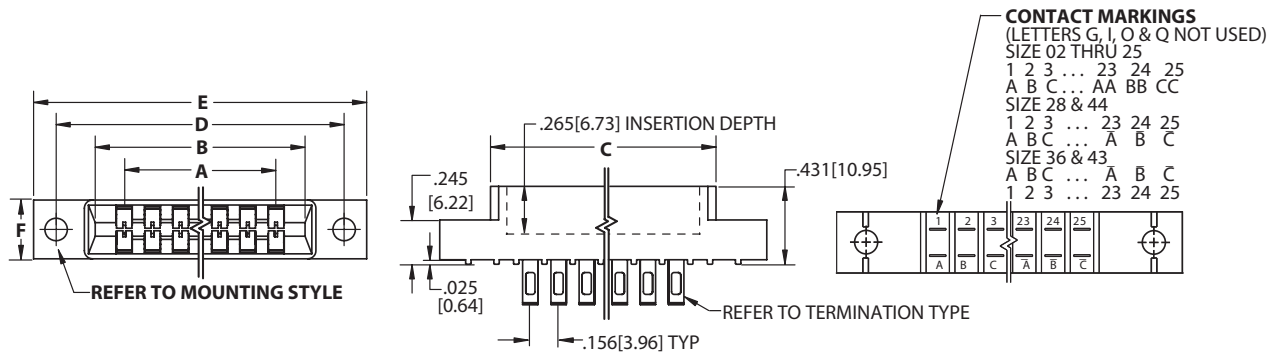
READOUT

D = Dual

**** SEE PAGES 82-83 FOR SPECIFICATIONS AND OTHER VARIATIONS**

DIMENSIONS

Dimensions in [] are in millimeters, all others are in inches.



POSITIONS/ CONTACTS	INCHES					[MILLIMETERS]						
	A±.008	B±.008	C±.015	D±.010	E MAX	F±.005	A±0.20	B±0.20	C±0.38	D±0.25	E MAX	F±0.13
02/04	0.156	0.476	0.596	'N' MOUNTING			3.96	12.09	15.14	'N' MOUNTING		
03/06	0.312	0.632	0.752	'N' MOUNTING			7.92	16.05	19.10	'N' MOUNTING		
06/12	0.780	1.100	1.220	1.533	1.902	0.325	19.81	27.94	30.99	38.94	48.31	8.26
08/16	1.092	1.412	1.532	1.845	2.214		27.74	35.86	38.91	46.86	56.24	
10/20	1.404	1.724	1.844	2.157	2.526		35.66	43.79	46.84	54.79	64.16	
11/22	1.560	1.880	2.000	2.313	2.682		39.62	47.75	50.80	58.75	68.12	
12/24	1.716	2.036	2.156	2.469	2.838		43.59	51.71	54.76	62.71	72.09	
15/30	2.184	2.504	2.624	2.937	3.306		55.47	63.60	66.65	74.60	83.97	
18/36	2.652	2.972	3.092	3.405	3.774		67.36	75.49	78.54	86.49	95.86	
22/44	3.276	3.596	3.716	4.029	4.398		83.21	91.34	94.39	102.34	111.71	
24/48	3.588	3.908	4.028	4.341	4.710		91.14	99.26	102.31	110.26	119.63	
25/50	3.744	4.064	4.184	4.497	4.866		95.10	103.23	106.27	114.22	123.60	
28/56	4.212	4.532	4.652	4.965	5.334	0.438	106.98	115.11	118.16	126.11	135.48	11.13
36/72	5.460	5.780	5.900	6.213	6.582		138.68	146.81	149.86	157.81	167.18	
43/86	6.552	6.872	6.992	7.305	7.674	0.500	166.42	174.55	177.60	185.55	194.92	12.70
44/88	6.708	7.028	7.148	7.461	7.830		170.38	178.51	181.56	189.51	198.88	

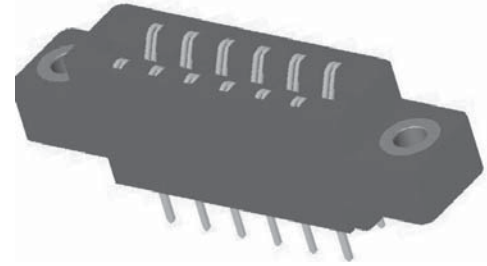
Micro Plastics Edgcards



**.156" Contact Centers, .610" Insulator Height,
Wire Wrap & Dip Solder**

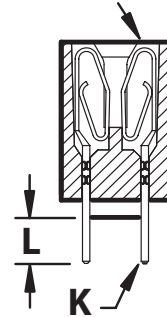
SPECIFICATIONS

- Accommodates .062" ± .008" [1.57 ± 0.20] PC Board
- Insulator Material available in PBT, PPS or PA9T
- 3 Amp Current Rating per contact
- Insulator / Contact Specifications and Part Number Coding See Page 82-83
- P/N 04-0004-000 for In Between Contact Position Key See Page 126 (Sold Separately)
- Molded-in Key Available - Consult Factory



TERMINATION TYPE

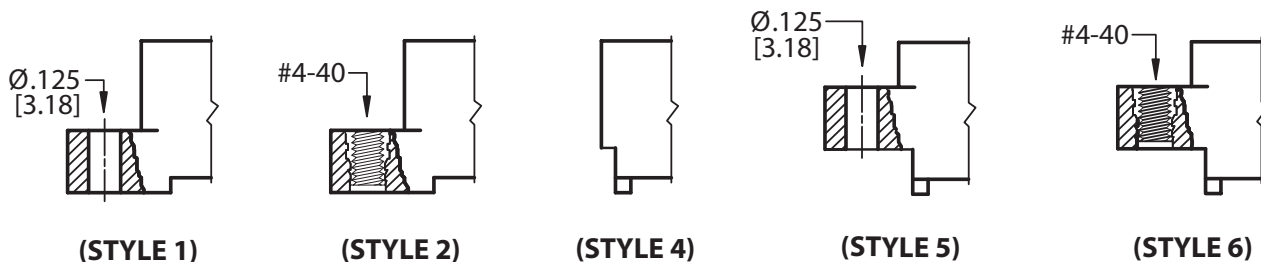
LOOP BELLOWS



LOOP BELLOWS

TERMINATION CODE	MODIFICATION CODE	TYPE	POST CROSS SECTION K	POST LENGTH L	FITS MIN. HOLE SIZE	EXAMPLE PART NUMBER
R	H	Dip Solder	.026 [0.66] Round	.190 [4.83]	.030 [0.76]	<i>MPSL-0156-10-DR-1HK</i>
R	H(.165)	Dip Solder	.026 [0.66] Round	.165 [4.19]	.030 [0.76]	<i>MPSL-0156-10-DR-1HK(.165)</i>
W	H	Dip Solder	.025 [0.64] Square	.190 [4.83]	.040 [1.02]	<i>MPSL-0156-10-DW-1HK</i>
W	OMIT	Wire Wrap	.025 [0.64] Square	.560 [14.20]	.040 [1.02]	<i>MPSL-0156-10-DW-1K</i>

MOUNTING STYLE



Micro Plastics Edgards



PART NUMBER CODING

MPSL - 0 156 - 10 - D W - 1 H K

PLATING - RoHS Compliant
All Platings are Lead Free and have .000050" Nickel Underplate

Contact Surface Termination

*MPSL = .000010" Gold .000100" Pure Tin, Matte
*MPL = .000100" Overall Pure Tin, Matte
MP = .000010" Overall Gold

***Requires 'K' Modification Code**

INSULATOR MATERIAL**
0 = PBT

CONTACT CENTERS
156 = .156" [3.96mm]

NUMBER OF POSITIONS
Contacts Per Row (See Position Chart Below)

READOUT
D = Dual

PLATING MODIFICATION CODE**
K = Required on MPSL or MPL Plating
Omit for MP Plating (Overall Gold)

MODIFICATION CODE**
(See Opposite Page)
H = Dip Solder .190[4.83] Tail Length
(.026 Round or .025 Square)
H(.165) = Dip Solder .165[4.19] Tail Length
(.026 Round Only)

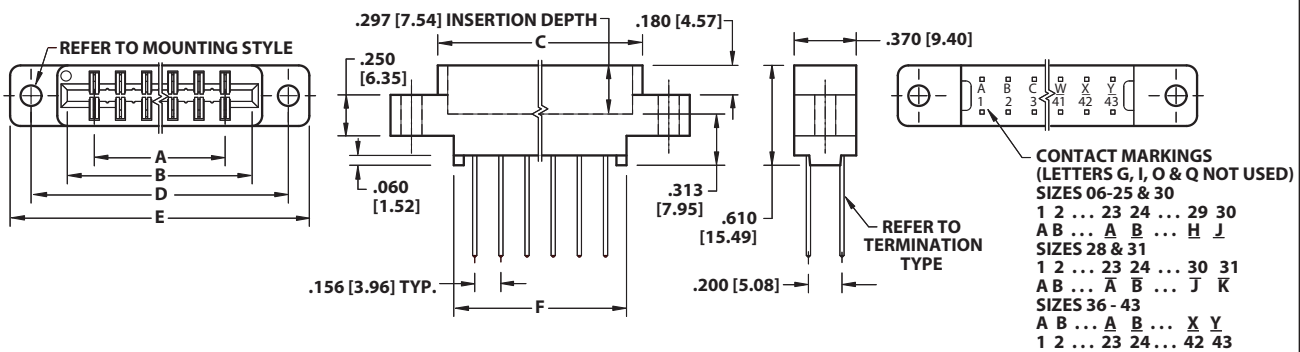
MOUNTING STYLE (See Opposite Page)
1 = .125" Clearance Hole
2 = #4-40 Threaded Insert
4 = No Mounting
5 = Raised, .125" Clearance Hole
6 = Raised, #4-40 Threaded Insert

TERMINATION TYPE (See Opposite Page)
LOOP BELLOWS
R = .026[.66mm] Round
W = .025[.64mm] Square

**** SEE PAGES 82-83 FOR SPECIFICATIONS AND OTHER VARIATIONS**

DIMENSIONS

Dimensions in [] are in millimeters, all others are in inches.



POSITIONS/ CONTACTS	INCHES						[MILLIMETERS]					
	A±.008	B±.008	C±.015	D±.010	E±.020	F±.015	A±0.20	B±0.20	C±0.38	D±0.25	E±0.51	F±0.38
06/12	0.780	1.102	1.221	1.534	1.784	1.030	19.81	27.99	31.01	38.96	45.31	26.16
08/16	1.092	1.414	1.533	1.846	2.096	1.342	27.74	35.92	38.94	46.89	53.24	34.09
10/20	1.404	1.726	1.845	2.158	2.408	1.654	35.66	43.84	46.86	54.81	61.16	42.01
12/24	1.716	2.038	2.157	2.470	2.720	1.966	43.59	51.77	54.79	62.74	69.09	49.94
15/30	2.184	2.506	2.625	2.938	3.188	2.434	55.47	63.65	66.68	74.63	80.98	61.82
18/36	2.652	2.974	3.093	3.406	3.656	2.902	67.36	75.54	78.56	86.51	92.86	73.71
20/40*	2.964	3.286	3.405	3.718	3.968	3.214	75.29	83.46	86.49	94.44	100.79	81.64
22/44	3.276	3.598	3.717	4.030	4.280	3.526	83.21	91.39	94.41	102.36	108.71	89.56
24/48	3.588	3.910	4.029	4.342	4.592	3.838	91.14	99.31	102.34	110.29	116.64	97.49
25/50	3.744	4.066	4.185	4.498	4.748	3.994	95.10	103.28	106.30	114.25	120.60	101.45
28/56	4.212	4.534	4.653	4.966	5.216	4.462	106.98	115.16	118.19	126.14	132.49	113.33
30/60	4.524	4.846	4.965	5.278	5.528	4.774	114.91	123.09	126.11	134.06	140.41	121.26
31/62	4.680	5.002	5.121	5.434	5.684	4.930	118.87	127.05	130.07	138.02	144.37	125.22
36/72	5.460	5.782	5.901	6.214	6.464	5.710	138.68	146.86	149.89	157.84	164.19	145.03
40/80	6.084	6.406	6.525	6.838	7.088	6.334	154.53	162.71	165.74	173.69	180.04	160.88
43/86	6.552	6.874	6.993	7.306	7.556	6.802	166.42	174.60	177.62	185.57	191.92	172.77

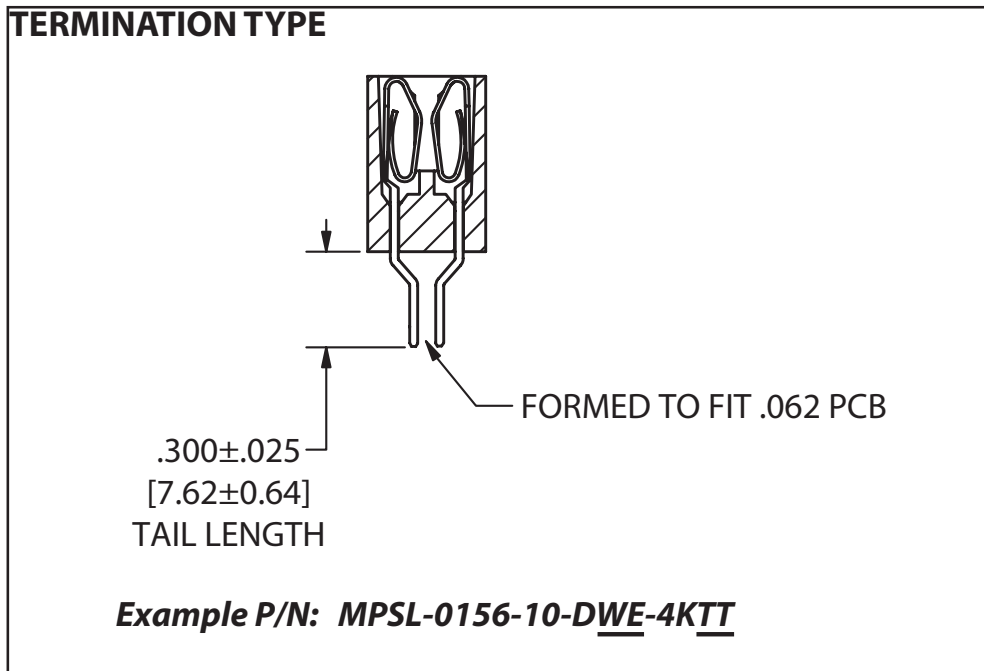
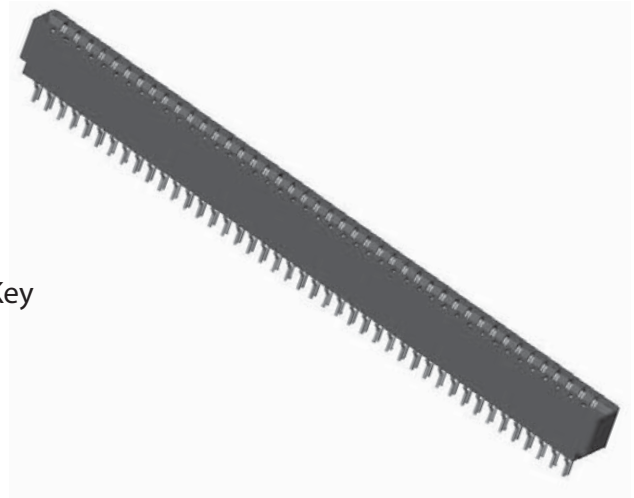
* Consult Factory for availability.



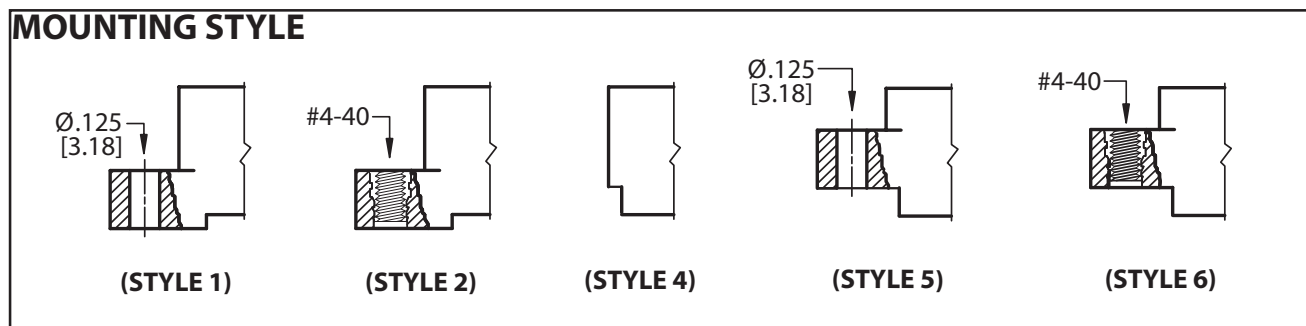
**.156" Contact Centers, .550" Insulator Height,
.025" Square Card Extender**

SPECIFICATIONS

- Accommodates $.062" \pm .008"$ [1.57 ± 0.20] PC Board
- Insulator Material available in PBT, PPS or PA9T
- 3 Amp Current Rating per contact
- Insulator / Contact Specifications and Part Number Coding See Page 82-83
- P/N 04-0004-000 for In Between Contact Position Key See Page 126 (Sold Separately)
- Molded-in Key Available - Consult Factory



Micro Plastics Edgecards





PART NUMBER CODING

MPSL - 0 156 - 10 - D WE - 4 K TT

PLATING - RoHS Compliant
All Platings are Lead Free and have .000050" Nickel Underplate
Contact Surface Termination
*MPSL = .000010" Gold .000100" Pure Tin, Matte
*MPL = .000100" Overall Pure Tin, Matte
MP = .000010" Overall Gold
***Requires 'K' Modification Code**

INSULATOR MATERIAL**
0 = PBT

CONTACT CENTERS
156 = .156" [3.96mm]

NUMBER OF POSITIONS
Contacts Per Row (See Position Chart Below)

MODIFICATION CODE**
TT = No Standoffs

PLATING MODIFICATION CODE**
K = Required on MPSL or MPL Plating
Omit for MP Plating (Overall Gold)

MOUNTING STYLE (See Opposite Page)
1 = .125" Clearance Hole
2 = #4-40 Threaded Insert
4 = No Mounting
5 = Raised, .125" Clearance Hole
6 = Raised, #4-40 Threaded Insert

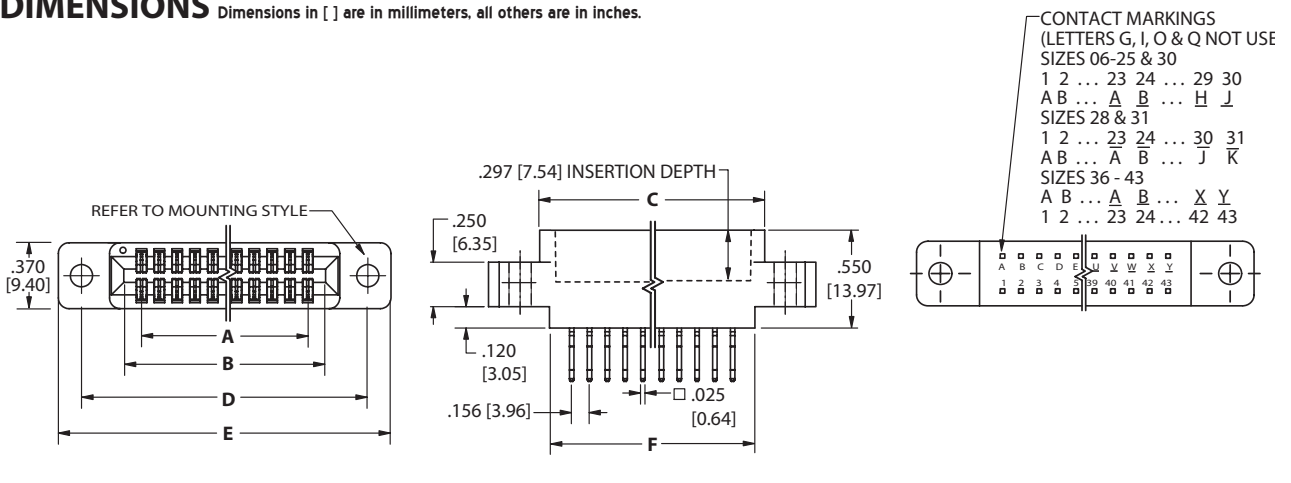
TERMINATION TYPE (See Opposite Page)
WE = Card Extender

READOUT
D = Dual

**** SEE PAGES 82-83 FOR SPECIFICATIONS AND OTHER VARIATIONS**

DIMENSIONS

Dimensions in [] are in millimeters, all others are in inches.



POSITIONS/ CONTACTS	INCHES						[MILLIMETERS]					
	A±.008	B±.008	C±.015	D±.010	E±.020	F±.015	A±0.20	B±0.20	C±0.38	D±0.25	E±0.51	F±0.38
06/12	0.780	1.102	1.221	1.534	1.784	1.030	19.81	27.99	31.01	38.96	45.31	26.16
08/16	1.092	1.414	1.533	1.846	2.096	1.342	27.74	35.92	38.94	46.89	53.24	34.09
10/20	1.404	1.726	1.845	2.158	2.408	1.654	35.66	43.84	46.86	54.81	61.16	42.01
12/24	1.716	2.038	2.157	2.470	2.720	1.966	43.59	51.77	54.79	62.74	69.09	49.94
15/30	2.184	2.506	2.625	2.938	3.188	2.434	55.47	63.65	66.68	74.63	80.98	61.82
18/36	2.652	2.974	3.093	3.406	3.656	2.902	67.36	75.54	78.56	86.51	92.86	73.71
20/40*	2.964	3.286	3.405	3.718	3.968	3.214	75.29	83.46	86.49	94.44	100.79	81.64
22/44	3.276	3.598	3.717	4.030	4.280	3.526	83.21	91.39	94.41	102.36	108.71	89.56
24/48	3.588	3.910	4.029	4.342	4.592	3.838	91.14	99.31	102.34	110.29	116.64	97.49
25/50	3.744	4.066	4.185	4.498	4.748	3.994	95.10	103.28	106.30	114.25	120.60	101.45
28/56	4.212	4.534	4.653	4.966	5.216	4.462	106.98	115.16	118.19	126.14	132.49	113.33
30/60	4.524	4.846	4.965	5.278	5.528	4.774	114.91	123.09	126.11	134.06	140.41	121.26
31/62	4.680	5.002	5.121	5.434	5.684	4.930	118.87	127.05	130.07	138.02	144.37	125.22
36/72	5.460	5.782	5.901	6.214	6.464	5.710	138.68	146.86	149.89	157.84	164.19	145.03
40/80	6.084	6.406	6.525	6.838	7.088	6.334	154.53	162.71	165.74	173.69	180.04	160.88
43/86	6.552	6.874	6.993	7.306	7.556	6.802	166.42	174.60	177.62	185.57	191.92	172.77

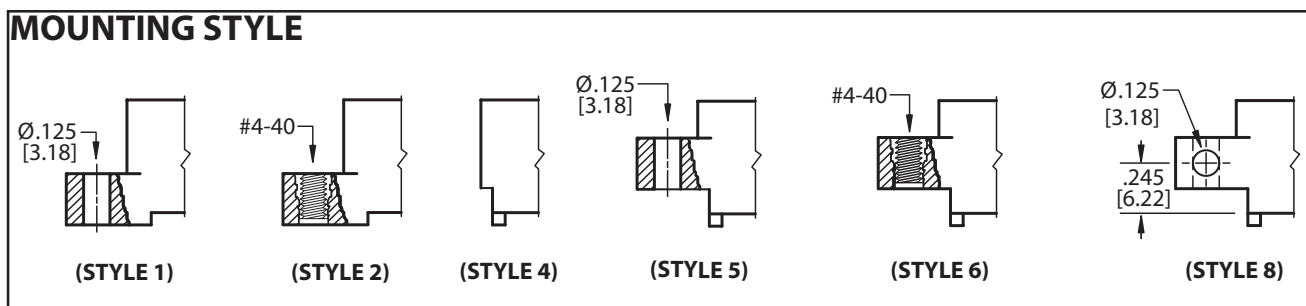
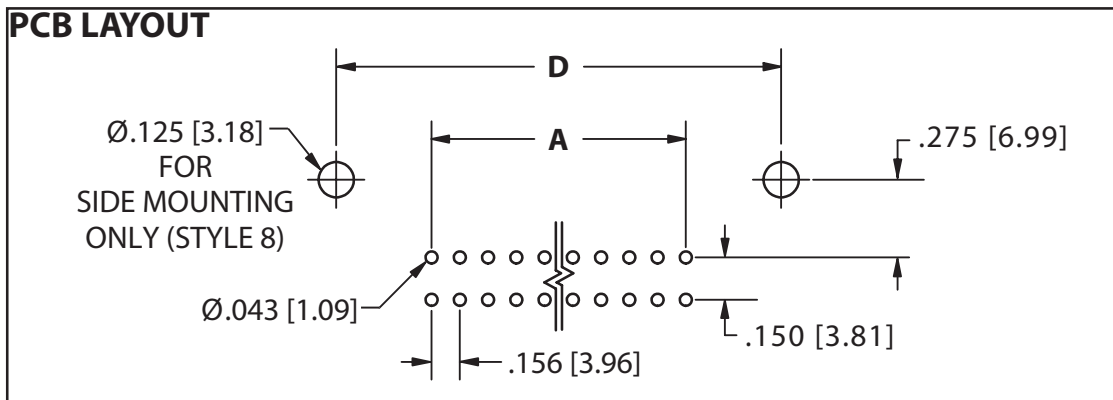
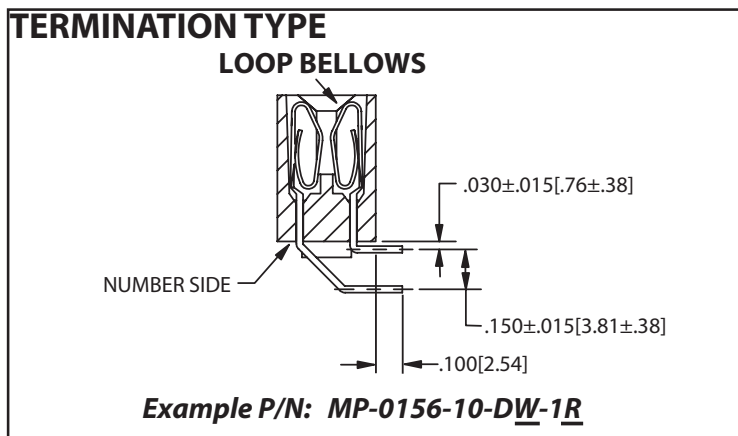
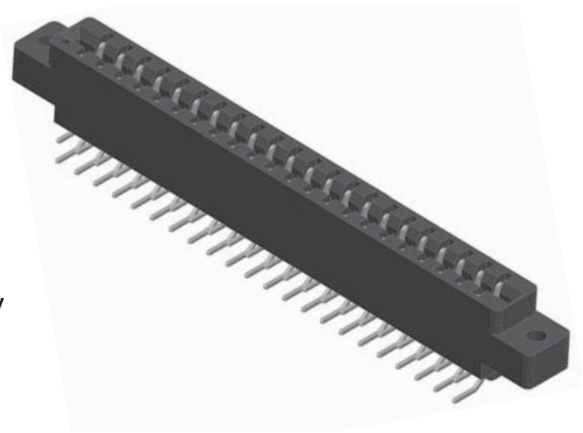
* Consult Factory for availability.



**.156" Contact Centers, .610" Insulator Height,
Right Angle**

SPECIFICATIONS

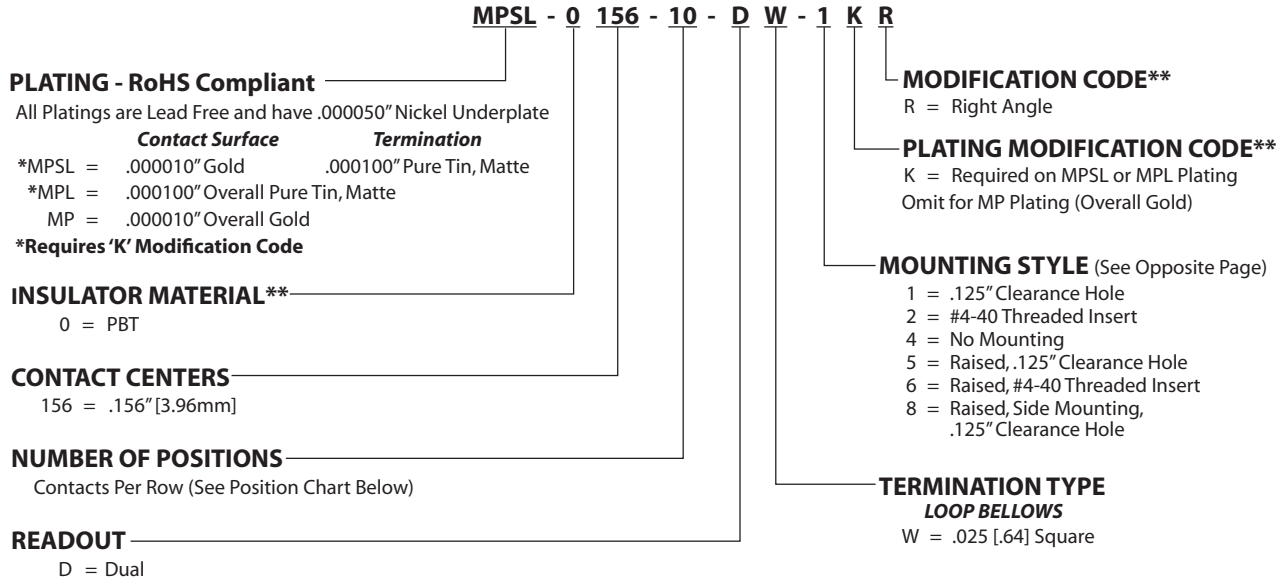
- Accommodates $.062" \pm .008"$ [1.57 ± 0.20] PC Board
- Insulator Material available in PBT, PPS or PA9T
- 3 Amp Current Rating per contact
- Insulator / Contact Specifications and Part Number Coding See Page 82-83
- P/N 04-0004-000 for In Between Contact Position Key See Page 126 (Sold Separately)
- Molded-in Key Available - Consult Factory



Micro Plastics Edgards



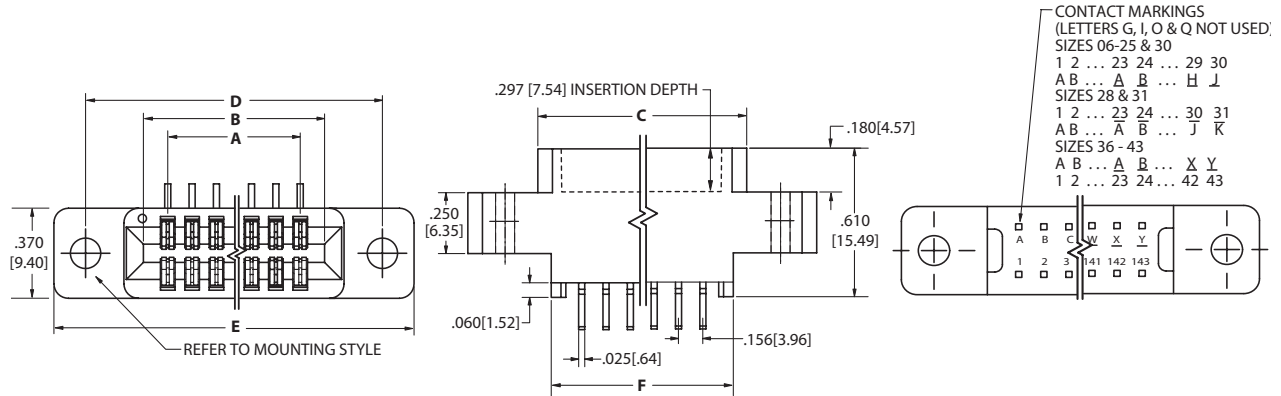
PART NUMBER CODING



**** SEE PAGES 82-83 FOR SPECIFICATIONS AND OTHER VARIATIONS**

DIMENSIONS

Dimensions in [] are in millimeters, all others are in inches.



POSITIONS/ CONTACTS	INCHES						[MILLIMETERS]					
	A±.008	B±.008	C±.015	D±.010	E±.020	F±.015	A±0.20	B±0.20	C±0.38	D±0.25	E±0.51	F±0.38
06/12	0.780	1.102	1.221	1.534	1.784	1.030	19.81	27.99	31.01	38.96	45.31	26.16
08/16	1.092	1.414	1.533	1.846	2.096	1.342	27.74	35.92	38.94	46.89	53.24	34.09
10/20	1.404	1.726	1.845	2.158	2.408	1.654	35.66	43.84	46.86	54.81	61.16	42.01
12/24	1.716	2.038	2.157	2.470	2.720	1.966	43.59	51.77	54.79	62.74	69.09	49.94
15/30	2.184	2.506	2.625	2.938	3.188	2.434	55.47	63.65	66.68	74.63	80.98	61.82
18/36	2.652	2.974	3.093	3.406	3.656	2.902	67.36	75.54	78.56	86.51	92.86	73.71
20/40*	2.964	3.286	3.405	3.718	3.968	3.214	75.29	83.46	86.49	94.44	100.79	81.64
22/44	3.276	3.598	3.717	4.030	4.280	3.526	83.21	91.39	94.41	102.36	108.71	89.56
24/48	3.588	3.910	4.029	4.342	4.592	3.838	91.14	99.31	102.34	110.29	116.64	97.49
25/50	3.744	4.066	4.185	4.498	4.748	3.994	95.10	103.28	106.30	114.25	120.60	101.45
28/56	4.212	4.534	4.653	4.966	5.216	4.462	106.98	115.16	118.19	126.14	132.49	113.33
30/60	4.524	4.846	4.965	5.278	5.528	4.774	114.91	123.09	126.11	134.06	140.41	121.26
31/62	4.680	5.002	5.121	5.434	5.684	4.930	118.87	127.05	130.07	138.02	144.37	125.22
36/72	5.460	5.782	5.901	6.214	6.464	5.710	138.68	146.86	149.89	157.84	164.19	145.03
40/80	6.084	6.406	6.525	6.838	7.088	6.334	154.53	162.71	165.74	173.69	180.04	160.88
43/86	6.552	6.874	6.993	7.306	7.556	6.802	166.42	174.60	177.62	185.57	191.92	172.77

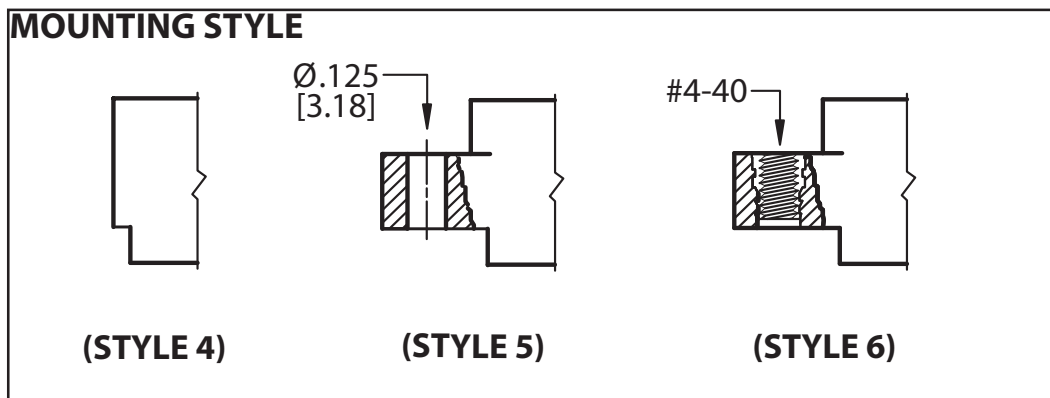
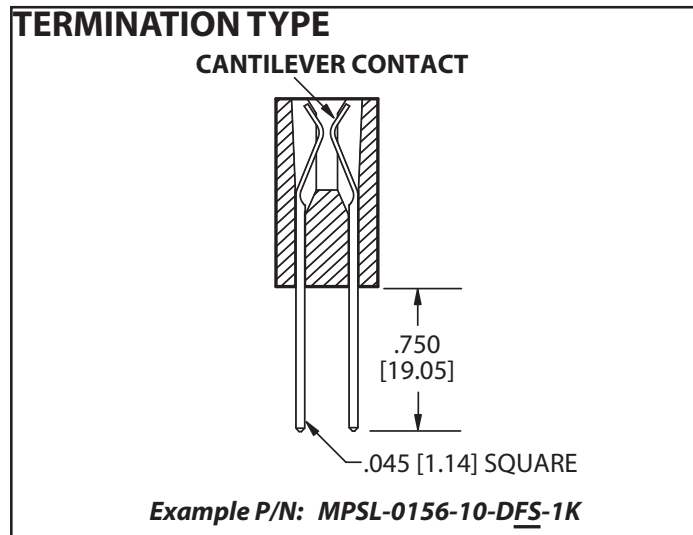
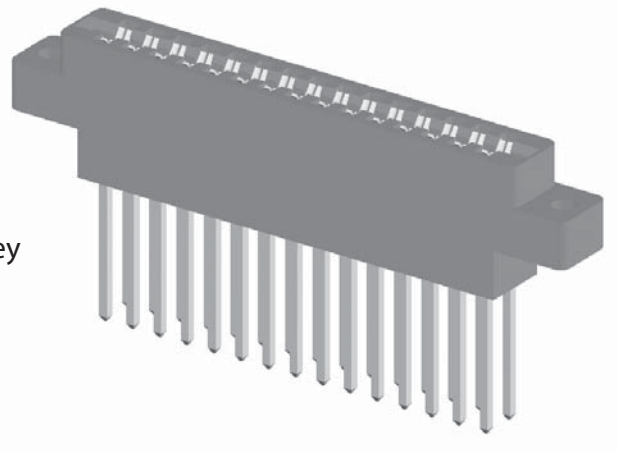
* Consult Factory for availability.



**.156" Contact Centers, .720" Insulator Height,
.045" Square Wire Wrap**

SPECIFICATIONS

- Accommodates $.062" \pm .008"$ [1.57 ± 0.20] PC Board
- Insulator Material available in PBT
- 5 Amp Current Rating per contact
- Insulator / Contact Specifications and Part Number Coding See Page 82-83
- P/N 04-0004-000 for In Between Contact Position Key See Page 126 (Sold Separately)
- Molded-in Key Available - Consult Factory



Micro Plastics Edgards



PART NUMBER CODING

MPSL - 0 156 - 10 - D FS - 4 K

PLATING - RoHS Compliant
All Platings are Lead Free and have .000050" Nickel Underplate

Contact Surface	Termination
*MPSL = .000010" Gold	.000100" Pure Tin, Matte
*MPL = .000100" Overall Pure Tin, Matte	
MP = .000010" Overall Gold	

*Requires 'K' Modification Code

INSULATOR MATERIAL**
0 = PBT

CONTACT CENTERS
156 = .156" [3.96mm]

NUMBER OF POSITIONS
Contacts Per Row (See Position Chart Below)

MODIFICATION CODE**

PLATING MODIFICATION CODE**
K = Required on MPSL or MPL Plating
Omit for MP Plating (Overall Gold)

MOUNTING STYLE (See Opposite Page)
4 = No Mounting
5 = Raised, .125" Clearance Hole
6 = Raised, #4-40 Threaded Insert

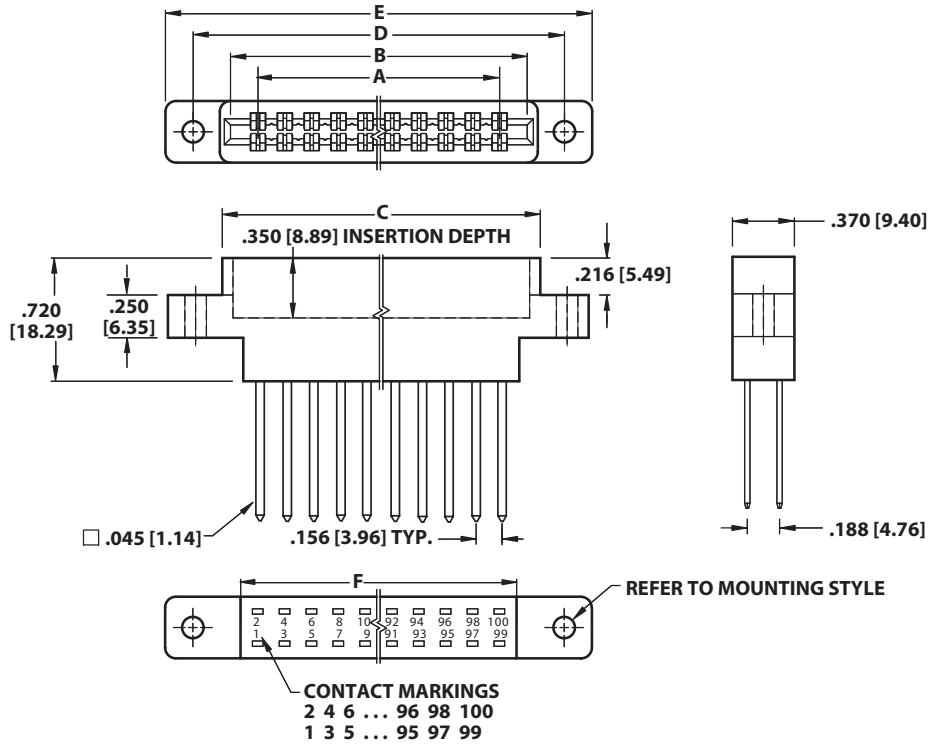
TERMINATION TYPE (See Opposite Page)
FS = .045 Square Contacts

READOUT
D = Dual

** SEE PAGES 82-83 FOR SPECIFICATIONS AND OTHER VARIATIONS

DIMENSIONS

Dimensions in [] are in millimeters, all others are in inches.



POSITIONS/ CONTACTS	INCHES						[MILLIMETERS]					
	A±.008	B±.008	C±.015	D±.010	E±.020	F±.015	A±0.20	B±0.20	C±0.38	D±0.25	E±0.51	F±0.38
10/20	1.404	1.724	1.848	2.158	2.408	1.604	35.66	43.79	46.94	54.81	61.16	40.74
12/24	1.716	2.036	2.160	2.470	2.720	1.916	43.59	51.71	54.86	62.74	69.09	48.67
15/30	2.184	2.504	2.628	2.938	3.188	2.384	55.47	63.60	66.75	74.63	80.98	60.55
18/36	2.652	2.972	3.096	3.406	3.656	2.852	67.36	75.49	78.64	86.51	92.86	72.44
22/44	3.276	3.596	3.720	4.030	4.280	3.476	83.21	91.34	94.49	102.36	108.71	88.29
25/50	3.744	4.064	4.188	4.498	4.748	3.944	95.10	103.23	106.38	114.25	120.60	100.18
28/56	4.212	4.532	4.656	4.966	5.216	4.412	106.98	115.11	118.26	126.14	132.49	112.06
30/60	4.524	4.844	4.968	5.278	5.528	4.724	114.91	123.04	126.19	134.06	140.41	119.99
36/72	5.460	5.780	5.904	6.214	6.464	5.660	138.68	146.81	149.96	157.84	164.19	143.76
43/86	6.552	6.872	6.996	7.306	7.556	6.752	166.42	174.55	177.70	185.57	191.92	171.50

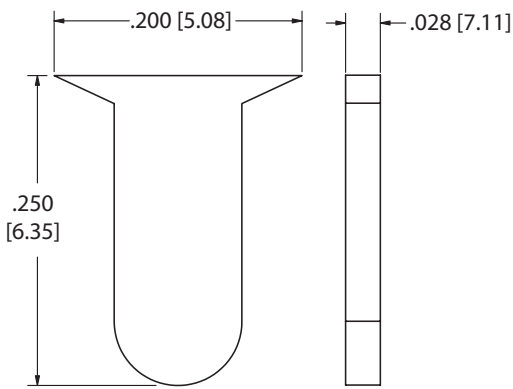
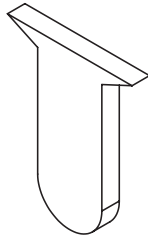


ALL KEYS ORDERED SEPARATELY

IN BETWEEN CONTACT KEY

P/N: 04-0001-000

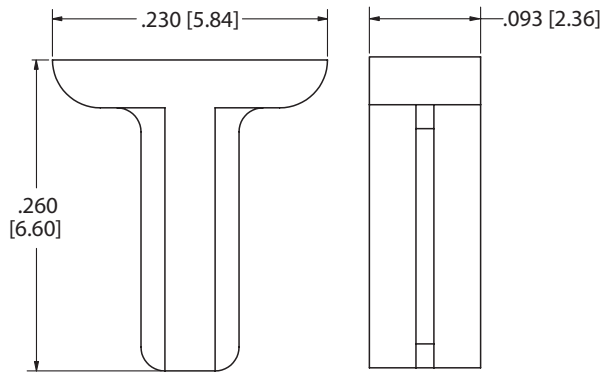
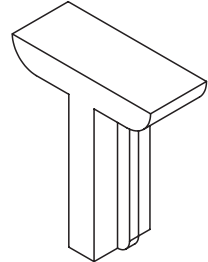
SULLINS PART: PLM-K1



IN CONTACT KEY

P/N: 04-0002-000

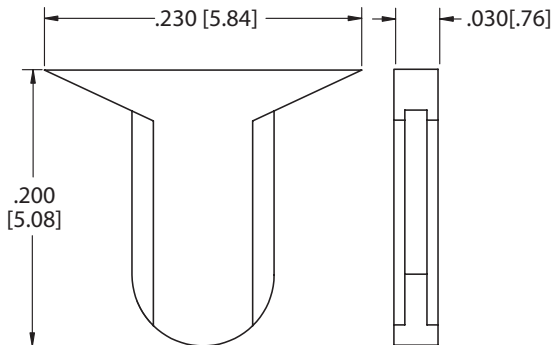
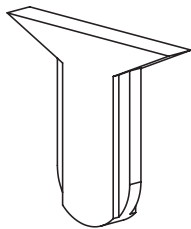
SULLINS PART: PLM-K2



IN BETWEEN CONTACT KEY

P/N: 04-0003-000

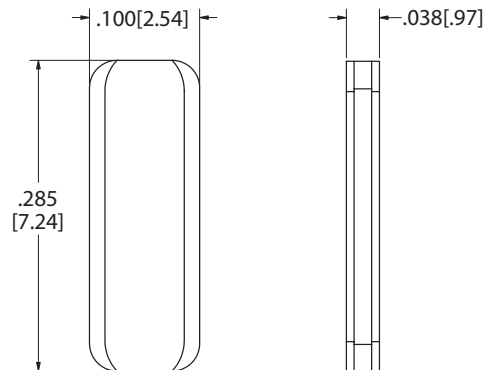
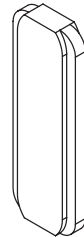
SULLINS PART: PLA-K1



IN BETWEEN CONTACT KEY

P/N: 04-0004-000

SULLINS PART: PLC-K1





Now it is faster and easier to identify connectors when you only have a part number. Simply use your part number to find the pages containing more information about your connector in this catalog and then contact us to place an order.

The underscore sign represents design variations in the part number coding. For example: if your part number is **EBA10DCAS**, you would look for **__A__DCA_**, which is on pages 50-51.

SULLINS EDGECARDS AND HEADERS

Sullins Part Number	Page	Sullins Part Number	Page	Sullins Part Number	Page
__A__DCA_	50-51	__A__DTK_ -S288	50-51	__B66DHF_ -S578	18-19
__A__DCB_	50-51	__A__DTM_	50-51	__B66DHF_ -S621	18-19
__A__DCC_	50-51	__A__DTM_ -S273	52-53	__B66DHH_ -S578	18-19
__A__DCK_	50-51	__A__DTM_ -S664	52-53	__B66DHH_ -S621	18-19
__A__DCK_ -S288	50-51	__B__DHA_	16-17	__B66DHL_ -S578	18-19
__A__DCM_	50-51	__B__DHB_	16-17	__B66DHL_ -S621	18-19
__A__DCM_ -S288	50-51	__B__DHF_	14-15	__B66DHN_ -S578	18-19
__A__DCS_	50-51	__B__DHH_	14-15	__B66DHN_ -S621	18-19
__A__DCS_ -S288	50-51	__B__DHL_	14-15	__B66DHR_ -S578	18-19
__A__DCT_	50-51	__B__DHN_	14-15	__B66DHR_ -S621	18-19
__A__DCT_ -S288	50-51	__B__DHR_	14-15	__B91DHA_ -S621	20-21
__A__DCW_	50-51	__B__DKB_	28-29	__B91DHB_ -S621	20-21
__A__DCW_ -S288	50-51	__B__DKB_ -S1075	28-29	__B91DHF_ -S578	18-19
__A__DRA_	48-49	__B__DKB_ -S1076	28-29	__B91DHF_ -S621	18-19
__A__DRA_ -S734	48-49	__B__DLR_	26-27	__B91DHH_ -S578	18-19
__A__DRE_	48-49	__B__DLT_	26-27	__B91DHH_ -S621	18-19
__A__DRE_ -S13	48-49	__B56DHA_ -S621	20-21	__B91DHL_ -S578	18-19
__A__DRE_ -S734	48-49	__B56DHB_ -S621	20-21	__B91DHL_ -S621	18-19
__A__DRJ_	48-49	__B56DHF_ -S578	18-19	__B91DHN_ -S578	18-19
__A__DRJ_ -S734	48-49	__B56DHF_ -S621	18-19	__B91DHN_ -S621	18-19
__A__DRM_	50-51	__B56DHH_ -S578	18-19	__B91DHR_ -S578	18-19
__A__DRM_ -S273	52-53	__B56DHH_ -S621	18-19	__B91DHR_ -S621	18-19
__A__DRM_ -S288	50-51	__B56DHL_ -S578	18-19	__B92DHA_ -S250	24-25
__A__DRM_ -S664	52-53	__B56DHL_ -S621	18-19	__B92DHA_ -S329	24-25
__A__DRS_	50-51	__B56DHN_ -S578	18-19	__B92DHB_ -S250	24-25
__A__DRS_ -S273	52-53	__B56DHN_ -S621	18-19	__B92DHB_ -S329	24-25
__A__DRS_ -S288	50-51	__B56DHR_ -S578	18-19	__B92DHF_ -S250	22-23
__A__DRS_ -S664	52-53	__B56DHR_ -S621	18-19	__B92DHF_ -S329	22-23
__A__DRT_	48-49	__B60DHA_ -S621	24-25	__B92DHF_ -S330	22-23
__A__DRT_ -S13	48-49	__B60DHA_ -S793	24-25	__B92DHF_ -S378	22-23
__A__DRT_ -S734	48-49	__B60DHB_ -S621	24-25	__B92DHH_ -S250	22-23
__A__DRX_	48-49	__B60DHB_ -S793	24-25	__B92DHH_ -S329	22-23
__A__DRX_ -S734	48-49	__B60DHF_ -S578	22-23	__B92DHH_ -S330	22-23
__A__DRY_	48-49	__B60DHF_ -S621	22-23	__B92DHH_ -S378	22-23
__A__DRY_ -S13	48-49	__B60DHH_ -S578	22-23	__B92DHL_ -S250	22-23
__A__DRY_ -S734	48-49	__B60DHH_ -S621	22-23	__B92DHL_ -S329	22-23
__A__DTA_	50-51	__B60DHL_ -S578	22-23	__B92DHL_ -S330	22-23
__A__DTA_ -S273	52-53	__B60DHL_ -S621	22-23	__B92DHL_ -S378	22-23
__A__DTA_ -S664	52-53	__B60DHN_ -S578	22-23	__B92DHN_ -S250	22-23
__A__DTB_	50-51	__B60DHN_ -S621	22-23	__B92DHN_ -S329	22-23
__A__DTB_ -S273	52-53	__B60DHR_ -S578	22-23	__B92DHN_ -S330	22-23
__A__DTB_ -S664	52-53	__B60DHR_ -S621	22-23	__B92DHN_ -S378	22-23
__A__DTE_	48-49	__B66DHA_ -S621	20-21	__B92DHR_ -S250	22-23
__A__DTE_ -S734	48-49	__B66DHB_ -S621	20-21	__B92DHR_ -S329	22-23
__A__DTK_	50-51				



PART NUMBER INDEX, Cont.

Sullins Part Number	Page	Sullins Part Number	Page	Sullins Part Number	Page
__ B92DHR __ -S330	22-23	__ C __ DJG __	36-37	__ C __ DRX __ -S734	32-33
__ B92DHR __ -S378	22-23	__ C __ DJW __	36-37	__ C __ DRY __	32-33
__ B106DHA __ -S621	20-21	__ C __ DJX __	36-37	__ C __ DRY __ -S13	32-33
__ B106DHB __ -S621	20-21	__ C __ DJY __	36-37	__ C __ DRY __ -S93	34-35
__ B106DHF __ -S578	18-19	__ C __ DJZ __	36-37	__ C __ DRY __ -S734	32-33
__ B106DHF __ -S621	18-19	__ C __ DKA __	38-39	__ C __ DTA __	38-39
__ B106DHH __ -S578	18-19	__ C __ DKA __ -S189	38-39	__ C __ DTA __ -S189	38-39
__ B106DHH __ -S621	18-19	__ C __ DKA __ -S1191	42-43	__ C __ DTA __ -S273	40-41
__ B106DHL __ -S578	18-19	__ C __ DKA __ -S1243	42-43	__ C __ DTA __ -S664	40-41
__ B106DHL __ -S621	18-19	__ C __ DKD __	38-39	__ C __ DTB __	38-39
__ B106DHN __ -S578	18-19	__ C __ DKD __ -S1191	42-43	__ C __ DTB __ -S189	38-39
__ B106DHN __ -S621	18-19	__ C __ DKD __ -S1243	42-43	__ C __ DTB __ -S273	40-41
__ B106DHR __ -S578	18-19	__ C __ DKE __	38-39	__ C __ DTB __ -S664	40-41
__ B106DHR __ -S621	18-19	__ C __ DKE __ -S189	38-39	__ C __ DTE __	32-33
__ C __ DAA __	78-79	__ C __ DKE __ -S1191	42-43	__ C __ DTE __ -S734	32-33
__ C __ DAB __	78-79	__ C __ DKE __ -S1243	42-43	__ C __ DTK __	38-39
__ C __ DAC __	78-79	__ C __ DKJ __	38-39	__ C __ DTK __ -S288	38-39
__ C __ DAD __	78-79	__ C __ DKJ __ -S189	38-39	__ C __ DTM __	38-39
__ C __ DAE __	78-79	__ C __ DKJ __ -S1191	42-43	__ C __ DTM __ -S189	38-39
__ C __ DAF __	78-79	__ C __ DKJ __ -S1243	42-43	__ C __ DTM __ -S273	40-41
__ C __ DAG __	78-79	__ C __ DKM __	38-39	__ C __ DTM __ -S664	40-41
__ C __ DAH __	78-79	__ C __ DKM __ -S1191	42-43	__ C __ DZA __	78-79
__ C __ DBA __	78-79	__ C __ DKM __ -S1243	42-43	__ C __ DZC __	78-79
__ C __ DBB __	78-79	__ C __ DKN __	38-39	__ C __ DZD __	78-79
__ C __ DBC __	78-79	__ C __ DKN __ -S1191	42-43	__ C __ MMA __	30-31
__ C __ DBD __	78-79	__ C __ DKN __ -S1243	42-43	__ C __ MMA __ -S189	30-31
__ C __ DBE __	78-79	__ C __ DKR __	38-39	__ C __ MMB __	30-31
__ C __ DCA __	38-39	__ C __ DKR __ -S1191	42-43	__ C __ MMB __ -S189	30-31
__ C __ DCA __ -S189	38-39	__ C __ DKR __ -S1243	42-43	__ C __ MMD __	30-31
__ C __ DCA __ -S757	46-47	__ C __ DKS __	38-39	__ C __ MMD __ -S189	30-31
__ C __ DCB __	38-39	__ C __ DKS __ -S1191	42-43	__ C __ MMJ __	30-31
__ C __ DCB __ -S189	38-39	__ C __ DKS __ -S1243	42-43	__ C __ MMJ __ -S189	30-31
__ C __ DCC __	38-39	__ C __ DKU __	38-39	__ C __ MMK __	30-31
__ C __ DCC __ -S189	38-39	__ C __ DKU __ -S189	38-39	__ C __ MMK __ -S189	30-31
__ C __ DCC __ -S1191	42-43	__ C __ DKU __ -S1191	42-43	__ C __ MMM __	30-31
__ C __ DCK __	38-39	__ C __ DKU __ -S1243	42-43	__ C __ MMN __	30-31
__ C __ DCK __ -S288	38-39	__ C __ DRA __	32-33	__ C __ MMR __	30-31
__ C __ DCM __	38-39	__ C __ DRA __ -S93	34-35	__ C __ MMS __	30-31
__ C __ DCM __ -S288	38-39	__ C __ DRA __ -S734	32-33	__ C __ MMV __	30-31
__ C __ DCS __	38-39	__ C __ DRE __	32-33	__ C __ MMV __ -S189	30-31
__ C __ DCS __ -S288	38-39	__ C __ DRE __ -S13	32-33	__ C __ MMW __	30-31
__ C __ DCS __ -S36	46-47	__ C __ DRE __ -S93	34-35	__ C __ SAA __	78-79
__ C __ DCS __ -S527	46-47	__ C __ DRE __ -S734	32-33	__ C __ SAB __	78-79
__ C __ DCT __	38-39	__ C __ DRM __	38-39	__ C __ SAC __	78-79
__ C __ DCT __ -S288	38-39	__ C __ DRM __ -S273	40-41	__ C __ SAD __	78-79
__ C __ DCW __	38-39	__ C __ DRM __ -S288	38-39	__ C __ SAE __	78-79
__ C __ DCW __ -S288	38-39	__ C __ DRM __ -S664	40-41	__ C __ SAF __	78-79
__ C __ DFA __	78-79	__ C __ DRS __	38-39	__ C __ SAG __	78-79
__ C __ DFB __	78-79	__ C __ DRS __ -S273	40-41	__ C __ SAH __	78-79
__ C __ DFC __	78-79	__ C __ DRS __ -S288	38-39	__ C __ SBA __	78-79
__ C __ DFD __	78-79	__ C __ DRS __ -S664	40-41	__ C __ SBB __	78-79
__ C __ DFE __	78-79	__ C __ DRT __	32-33	__ C __ SBC __	78-79
__ C __ DGA __	78-79	__ C __ DRT __ -S13	32-33	__ C __ SBD __	78-79
__ C __ DGB __	78-79	__ C __ DRT __ -S93	34-35	__ C __ SBE __	78-79
__ C __ DJB __	36-37	__ C __ DRT __ -S734	32-33	__ C __ SBF __	78-79
__ C __ DJC __	36-37	__ C __ DRX __	32-33	__ C __ SBG __	78-79
__ C __ DJF __	36-37				



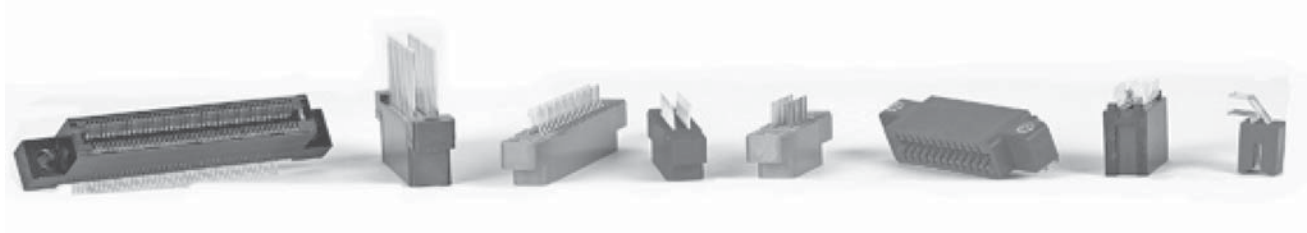
Sullins Part Number	Page	Sullins Part Number	Page	Sullins Part Number	Page
-- C -- SFA --	78-79	-- C49DRM -- -S420	44-45	-- M -- DRK -- -S13	58-59
-- C -- SFC --	78-79	-- C49DRS -- -S420	44-45	-- M -- DRK -- -S37	60-61
-- C -- SFD --	78-79	-- C49DRS -- -S518	44-45	-- M -- DRK -- -S92	60-61
-- C -- SFE --	78-79	-- C49DTA -- -S605	44-45	-- M -- DRM --	62-63
-- C -- SGA --	78-79	-- C49DTB -- -S605	44-45	-- M -- DRM -- -S273	64-65
-- C -- SGB --	78-79	-- C49DTK -- -S420	44-45	-- M -- DRM -- -S288	62-63
-- C -- SGC --	78-79	-- C49DTK -- -S518	44-45	-- M -- DRM -- -S664	64-65
-- C -- SGD --	78-79	-- C49DTM -- -S605	44-45	-- M -- DRP --	58-59
-- C -- SZA --	78-79	-- E -- DHA --	8-9	-- M -- DRP -- -S37	60-61
-- C -- SZC --	78-79	-- E -- DHF --	6-7	-- M -- DRP -- -S92	60-61
-- C -- SZD --	78-79	-- E -- DHH --	6-7	-- M -- DRS --	62-63
-- C18DCA -- -S371	44-45	-- E -- DHR --	6-7	-- M -- DRS -- -S273	64-65
-- C18DCB -- -S371	44-45	-- J -- DMC --	54-55	-- M -- DRS -- -S288	62-63
-- C18DCC -- -S371	44-45	-- J -- DSC --	54-55	-- M -- DRS -- -S664	64-65
-- C18DCM -- -S371	44-45	-- K -- DKB --	56-57	-- M -- DRT --	58-59
-- C18DCS -- -S371	44-45	-- K -- DKB -- -S1075	56-57	-- M -- DRT -- -S13	58-59
-- C18DCS -- -S524	44-45	-- K -- DKB -- -S1076	56-57	-- M -- DRT -- -S37	60-61
-- C18DCT -- -S371	44-45	-- M -- DCA --	62-63	-- M -- DRT -- -S92	60-61
-- C18DCT -- -S524	44-45	-- M -- DCA -- -S189	62-63	-- M -- DRU --	58-59
-- C18DCW -- -S371	44-45	-- M -- DCB --	62-63	-- M -- DRU -- -S37	60-61
-- C18DCW -- -S524	44-45	-- M -- DCB -- -S189	62-63	-- M -- DRU -- -S92	60-61
-- C18DRM -- -S371	44-45	-- M -- DCC --	62-63	-- M -- DRX --	58-59
-- C18DRS -- -S371	44-45	-- M -- DCC -- -S189	62-63	-- M -- DRX -- -S37	60-61
-- C18DRS -- -S524	44-45	-- M -- DCK --	62-63	-- M -- DRX -- -S92	60-61
-- C18DTA -- -S371	44-45	-- M -- DCK -- -S288	62-63	-- M -- DRX -- -S92	60-61
-- C18DTB -- -S371	44-45	-- M -- DCM --	62-63	-- M -- DRY --	58-59
-- C18DTB -- -S524	44-45	-- M -- DCM -- -S288	62-63	-- M -- DRY -- -S13	58-59
-- C18DTK -- -S371	44-45	-- M -- DCS --	62-63	-- M -- DRY -- -S37	60-61
-- C18DTK -- -S524	44-45	-- M -- DCS -- -S288	62-63	-- M -- DRY -- -S92	60-61
-- C18DTM -- -S371	44-45	-- M -- DCT --	62-63	-- M -- DRY -- -S92	60-61
-- C31DCA -- -S371	44-45	-- M -- DCT -- -S288	62-63	-- M -- DSA --	58-59
-- C31DCB -- -S371	44-45	-- M -- DCW --	62-63	-- M -- DSA -- -S37	60-61
-- C31DCC -- -S371	44-45	-- M -- DCW -- -S288	62-63	-- M -- DSA -- -S92	60-61
-- C31DCS -- -S371	44-45	-- M -- DKA --	62-63	-- M -- DSE --	58-59
-- C31DCS -- -S524	44-45	-- M -- DKA -- -S189	62-63	-- M -- DSE -- -S13	58-59
-- C31DCT -- -S371	44-45	-- M -- DKD --	62-63	-- M -- DSE -- -S37	60-61
-- C31DCT -- -S524	44-45	-- M -- DKD -- -S189	62-63	-- M -- DSE -- -S92	60-61
-- C31DCW -- -S371	44-45	-- M -- DKE --	62-63	-- M -- DSU --	58-59
-- C31DCW -- -S524	44-45	-- M -- DKE -- -S189	62-63	-- M -- DSU -- -S37	60-61
-- C31DRM -- -S371	44-45	-- M -- DKJ --	62-63	-- M -- DSU -- -S92	60-61
-- C31DRS -- -S371	44-45	-- M -- DKJ -- -S189	62-63	-- M -- DSX --	58-59
-- C31DRS -- -S524	44-45	-- M -- DKK --	66-67	-- M -- DSX -- -S37	60-61
-- C31DTA -- -S371	44-45	-- M -- DKK -- -S189	66-67	-- M -- DSX -- -S92	60-61
-- C31DTB -- -S371	44-45	-- M -- DKL --	66-67	-- M -- DTA --	62-63
-- C31DTB -- -S524	44-45	-- M -- DKM --	62-63	-- M -- DTA -- -S189	62-63
-- C31DTK -- -S371	44-45	-- M -- DKN --	62-63	-- M -- DTA -- -S273	64-65
-- C31DTK -- -S524	44-45	-- M -- DKR --	62-63	-- M -- DTA -- -S664	64-65
-- C31DTM -- -S371	44-45	-- M -- DKS --	62-63	-- M -- DTB --	62-63
-- C49DCA -- -S605	44-45	-- M -- DKS -- -S189	62-63	-- M -- DTB -- -S189	62-63
-- C49DCB -- -S605	44-45	-- M -- DKU --	62-63	-- M -- DTB -- -S273	64-65
-- C49DCC -- -S605	44-45	-- M -- DKU -- -S189	62-63	-- M -- DTB -- -S664	64-65
-- C49DCM -- -S420	44-45	-- M -- DRA --	58-59	-- M -- DTK --	62-63
-- C49DCS -- -S420	44-45	-- M -- DRA -- -S37	60-61	-- M -- DTK -- -S288	62-63
-- C49DCS -- -S518	44-45	-- M -- DRA -- -S92	60-61	-- M -- DTM --	62-63
-- C49DCT -- -S420	44-45	-- M -- DRE --	58-59	-- M -- DTM -- -S189	62-63
-- C49DCT -- -S518	44-45	-- M -- DRE -- -S37	60-61	-- M -- DTM -- -S273	64-65
-- C49DCW -- -S420	44-45	-- M -- DRF --	58-59	-- M -- DTM -- -S664	64-65
-- C49DCW -- -S518	44-45	-- M -- DRK --	58-59	-- M -- DWB -- -S796	68-69
				-- M -- DWW --	66-67



Sullins Part Number	Page
_ P _ C _ _ 1KFX _ -RC	80-81
_ P _ C _ _ 1LFB _ -RC	80-81
_ P _ C _ _ 1LGB _ -RC	80-81
_ P _ C _ _ 2KFM _ -RC	80-81
_ P _ C _ _ 2LFB _ -RC	80-81
_ P _ C _ _ 2LJB _ -RC	80-81
_ PPN _ _ 1BFC _ -RC	76-77
_ PPN _ _ 1BFL _ -RC	76-77
_ PPN _ _ 1FGG _ -RC	76-77
_ PPN _ _ 2AFC _ -RC	76-77
_ PPN _ _ 2AFE _ -RC	76-77
_ PPN _ _ 2FFK _ -RC	76-77
_ PPN _ _ 2FJF _ -RC	76-77
_ PPN _ _ 2GFN _ -RC	76-77
_ PPN _ _ 4EFC _ -RC	76-77

Sullins Part Number	Page
_ RPN _ _ 1PAE _ -RC	74-75
_ RPN _ _ 1PAR _ -RC	74-75
_ RPN _ _ 2MAM _ -RC	74-75
_ RPN _ _ 2PAE _ -RC	74-75
_ RPN _ _ 2PAR _ -RC	74-75
_ RPN _ _ 4RCC _ -RC	74-75
GRPB _ _ 1VWCN -RC	70-71
GRPB _ _ 1VWVN -RC	70-71
GRPB _ _ 1VWTC -RC	70-71
GRPB _ _ 2MWCN -RC	70-71
GRPB _ _ 2VWQS -RC	70-71
GRPB _ _ 2VWQP -RC	70-71
GRPB _ _ 2VWVN -RC	70-71
LPPB _ _ 1NFFN -RC	72-73
LPPB _ _ 1NFSC -RC	72-73
LPPB _ _ 1NGCN -RC	72-73

Sullins Part Number	Page
LPPB _ _ 2CFFN -RC	72-73
LPPB _ _ 2NFSP -RC	72-73
LPPB _ _ 2NFSS -RC	72-73
N _ E _ _ DHHN -T911	10-11
N _ E _ _ DHHN -T921	10-11
N _ E _ _ DHHN -T931	10-11
N _ E _ _ DHRN -T941	12-13
N _ E _ _ DHRN -T9410	12-13
N _ E _ _ DHRQ -T941	12-13
PLA -K1	32, 48, 58, 60, 126
PLC -K1	38, 44, 50, 54, 62, 126
PLM -K2	58, 60, 126
SPC02SYAN	78
SSC02SYAN	78
STC02SYAN	78
SPN02SYBN -RC	74
STN02SYBN -RC	74



MICRO PLASTICS EDGE CARDS

Micro Plastics Part Number	Page
04-0001-000	126
04-0002-000	126
04-0003-000	126
04-0004-000	126
EMP - _ 156- _ _ -DP- _ _	116-117
EMP - _ 156- _ _ -DPE- _ _	114-115
EMPL - _ 156- _ _ -DP- _ K _	116-117
EMPL - _ 156- _ _ -DPE- _ K _	114-115
EMPSL - _ 156- _ _ -DP- _ K _	116-117
EMPSL - _ 156- _ _ -DPE- _ K _	114-115
MP - _ 100- _ _ -DP- _ _	88-89
MP - _ 100- _ _ -DR- _ _	90-91

Micro Plastics Part Number	Page
MP - _ 100- _ _ -DS- _ _	84-85
MP - _ 100- _ _ -DS- _ X9 _	84-85
MP - _ 100- _ _ -DSE- _ _	86-87
MP - _ 100- _ _ -DW- _ _	90-91
MP - _ 100- _ _ -DW- _ R _	94-95
MP - _ 100- _ _ -DWE- _ _	92-93
MP - _ 100-18/31 -DR- _ _	96-97
MP - _ 100-18/31 -DW- _ _	96-97
MP - _ 125- _ _ -DP- _ _	102-103
MP - _ 125- _ _ -DR- _ _	104-105
MP - _ 125- _ _ -DS- _ _	98-99
MP - _ 125- _ _ -DS- _ X9 _	98-99
MP - _ 125- _ _ -DSE- _ _	100-101



Micro Plastics Part Number	Page	Micro Plastics Part Number	Page
MP- _ 125- _ _ -DW- _ _	104-105	MPL- _ 156- _ _ -DFS- _ K _	124-125
MP- _ 125- _ _ -DW- _ R _	108-109	MPL- _ 156- _ _ -DP- _ K _	116-117
MP- _ 125- _ _ -DWE- _ _	106-107	MPL- _ 156- _ _ -DR- _ K _	118-119
MP- _ 150- _ _ -DR- _ _	110-111	MPL- _ 156- _ _ -DS- _ K _	112-113
MP- _ 150- _ _ -DW- _ _	110-111	MPL- _ 156- _ _ -DS- _ X9K _	112-113
MP- _ 156- _ _ -DFS- _ _	124-125	MPL- _ 156- _ _ -DSE- _ K _	114-115
MP- _ 156- _ _ -DP- _ _	116-117	MPL- _ 156- _ _ -DW- _ K _	118-119
MP- _ 156- _ _ -DR- _ _	118-119	MPL- _ 156- _ _ -DW- _ KR _	122-123
MP- _ 156- _ _ -DS- _ _	112-113	MPL- _ 156- _ _ -DWE- _ K _	120-121
MP- _ 156- _ _ -DS- _ X9 _	112-113	MPSL- _ 100- _ _ -DR- _ K _	90-91
MP- _ 156- _ _ -DSE- _ _	114-115	MPSL- _ 100- _ _ -DS- _ K _	84-85
MP- _ 156- _ _ -DW- _ _	118-119	MPSL- _ 100- _ _ -DS- _ X9K _	84-85
MP- _ 156- _ _ -DW- _ R _	122-123	MPSL- _ 100- _ _ -DSE- _ K _	86-87
MP- _ 156- _ _ -DWE- _ _	120-121	MPSL- _ 100- _ _ -DW- _ K _	90-91
MPL- _ 100- _ _ -DP- _ K _	88-89	MPSL- _ 100- _ _ -DW- _ KR _	94-95
MPL- _ 100- _ _ -DR- _ K _	90-91	MPSL- _ 100- _ _ -DWE- _ K _	92-93
MPL- _ 100- _ _ -DS- _ K _	84-85	MPSL- _ 100-18/31-DR- _ K _	96-97
MPL- _ 100- _ _ -DS- _ X9K _	84-85	MPSL- _ 100-18/31-DW- _ K _	96-97
MPL- _ 100- _ _ -DSE- _ K _	86-87	MPSL- _ 125- _ _ -DR- _ K _	104-105
MPL- _ 100- _ _ -DW- _ K _	90-91	MPSL- _ 125- _ _ -DS- _ K _	98-99
MPL- _ 100- _ _ -DW- _ KR _	94-95	MPSL- _ 125- _ _ -DS- _ X9K _	98-99
MPL- _ 100- _ _ -DWE- _ K _	92-93	MPSL- _ 125- _ _ -DSE- _ K _	100-101
MPL- _ 100-18/31-DR- _ K _	96-97	MPSL- _ 125- _ _ -DW- _ K _	104-105
MPL- _ 100-18/31-DW- _ K _	96-97	MPSL- _ 125- _ _ -DW- _ KR _	108-109
MPL- _ 125- _ _ -DP- _ K _	102-103	MPSL- _ 125- _ _ -DWE- _ K _	106-107
MPL- _ 125- _ _ -DR- _ K _	104-105	MPSL- _ 150- _ _ -DR- _ K _	110-111
MPL- _ 125- _ _ -DS- _ K _	98-99	MPSL- _ 150- _ _ -DW- _ K _	110-111
MPL- _ 125- _ _ -DS- _ X9K _	98-99	MPSL- _ 156- _ _ -DFS- _ K _	124-125
MPL- _ 125- _ _ -DSE- _ K _	100-101	MPSL- _ 156- _ _ -DR- _ K _	118-119
MPL- _ 125- _ _ -DW- _ K _	104-105	MPSL- _ 156- _ _ -DS- _ X9K _	112-113
MPL- _ 125- _ _ -DW- _ KR _	108-109	MPSL- _ 156- _ _ -DS- _ K _	112-113
MPL- _ 125- _ _ -DWE- _ K _	106-107	MPSL- _ 156- _ _ -DSE- _ K _	114-115
MPL- _ 150- _ _ -DR- _ K _	110-111	MPSL- _ 156- _ _ -DW- _ K _	118-119
MPL- _ 150- _ _ -DW- _ K _	110-111	MPSL- _ 156- _ _ -DW- _ KR _	122-123
		MPSL- _ 156- _ _ -DWE- _ K _	120-121



A BRAND NEW SULLINS

2008 is an exciting year for Sullins as we strive to become a more customer-driven and competitive company offering a wider spectrum of products and services than ever before. To achieve this goal, we are rebranding our company from the inside out. In the coming months, you'll be experiencing some new and revitalized results of our rebranding efforts in your interactions with Sullins. Below are just a few highlights we'd like to share with you:

New Logo

Sullins' fresh new logo symbolizes our transformation into a more modern and streamlined company in order to serve customers like you more effectively. Our new tagline, "Connector Solutions" brings more focus and clarity in communicating our business to all audiences.

New Catalog

Our 2008 catalog is the largest ever, combining products from Sullins and Micro Plastics into one convenient reference. We hope our newly designed, comprehensive catalog is easy to use and provides all the information you need for your connector solutions.

New Web Site — Coming Summer 2008

Sullins is developing a brand new Web site to communicate and conduct business more effectively with online customers. The new, invigorated design will help online customers navigate the site easily, learn about new products better, find products quickly, understand our connector design process more thoroughly, purchase standard connectors from our online store, and much, much more!

GO THE DISTANCE

At Sullins, we go the distance to meet our customers' needs. But don't take our word for it. Here are what some customers have to say about our products and services.

"You are awesome. I can always count on you to have the quotes in an hour or two. You are timely and efficient, a pleasure to do business with."
-Jackie Feight, Heilind Electronics

"Sullins' response turnaround, accuracy and attention to detail is beyond impressive. Simply amazing!"
-Paul Alexandrescu, Product Cost Engineering

"Man that was fast! Like how you work, girl. THANKS!!!!!!"
-Johnny Q. Guerrero, Ital Electronics

"You're the best."
-Erik Wisesa, Bisco Industries

WE VALUE YOUR FEEDBACK

Your input is important to us as we continue to grow and become a better company. Please feel free to share any notable feedback or suggestions with us by e-mailing feedback@sullinscorp.com.