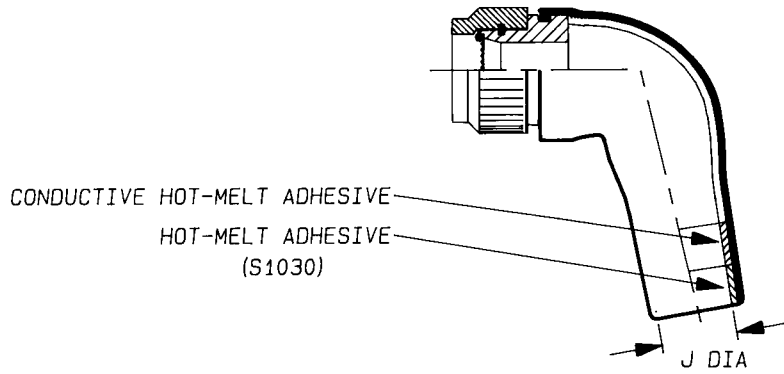
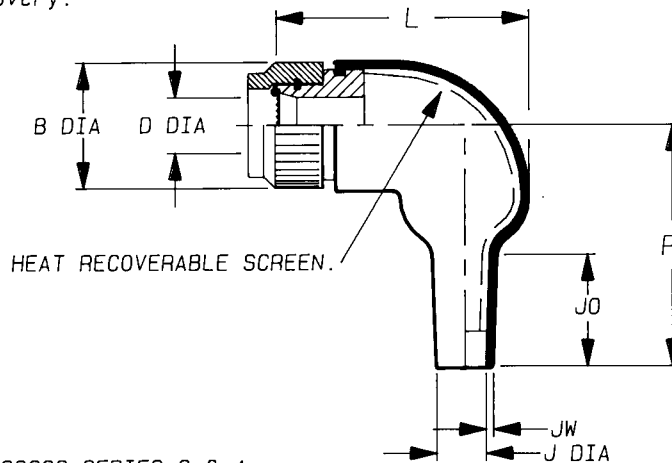


a) Part as supplied.

KTKK 2620A-2628A



b) Part after unrestricted recovery.



Raychem connector code: - 40  
Connector series: - MIL-C-38999 SERIES 3 & 4  
Adaptor Series: - 20BM7\*\*-01-W\*\*-K-NS  
Moulded Part Material: - -100S

Kits to include cleaning tissue, 1 piece 100 grit emery cloth & packing piece.  
Kit to be used in conjunction with installation guide for 90 & 45 deg. assemblies.

Dimensions (in millimetres.)

Part No.	SHELL SIZE	B	D	J		L	P	JO	JW
		DIA MAX	DIA MIN	MIN a	MAX b	±10% b	±10% b	REF b	±30% b
KTKK 2620A	A	19.2	6.7	9	6.0	40	38	17	1.0
KTKK 2621A	B	21.7	10.1	11	7.2	43	42	18	1.0
KTKK 2622A	C	25.5	12.9	17	8.5	50	51	20	1.0
KTKK 2623A	D	29.3	16.1	17	8.5	50	51	20	1.0
KTKK 2624A	E	31.9	19.4	21	10.0	57	67	28	1.5
KTKK 2625A	F	35.7	22.1	21	10.0	57	67	28	1.5
KTKK 2626A	G	38.2	25.4	29	15.8	66	80	31	1.5
KTKK 2627A	H	42.0	28.4	29	15.8	66	80	31	1.5
KTKK 2628A	J	44.6	30.9	37	15.7	80	108	48	2.0

Copyright (!)  
Urheberrechte

The copyright in this drawing is the property of Raychem Ltd. The drawing is issued on condition that it is not copied, reproduced or disclosed to a third party, either in whole or in part without the prior written consent of Raychem Ltd.

Drawn A.LILLEY. Checked *[Signature]* Issue 3 Date June 1995

Conforms to ISO Recommendations  
3rd Angle Projection  
Not to Scale

Approval  
Design

*[Signature]*

MKTG.

*[Signature]*

Q.C.

*[Signature]*

