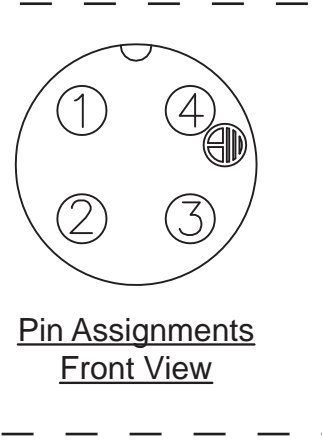
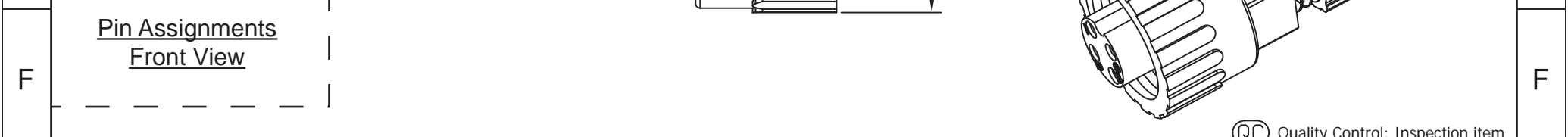
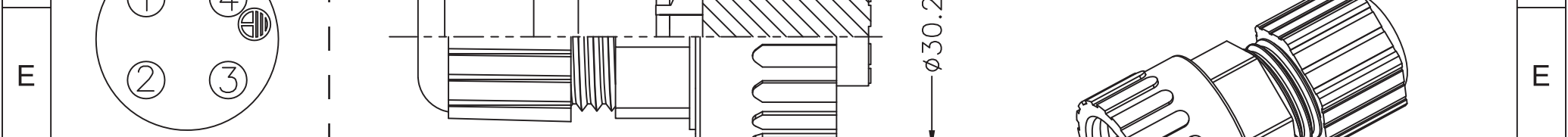
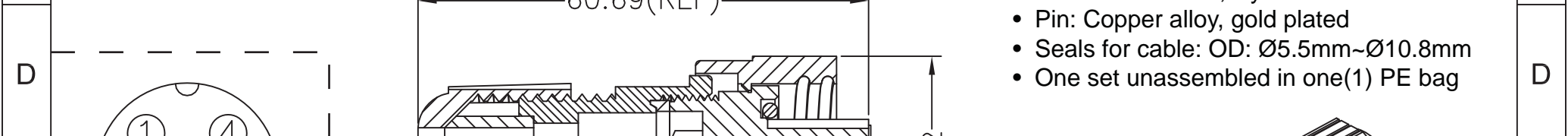
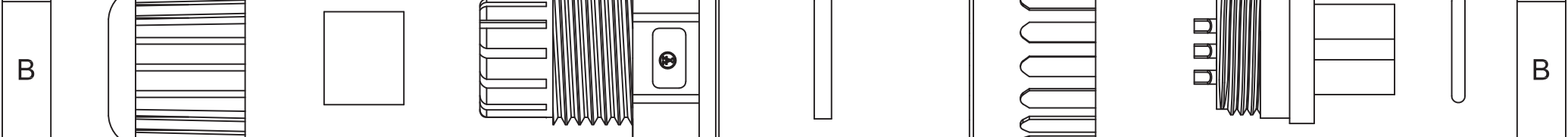
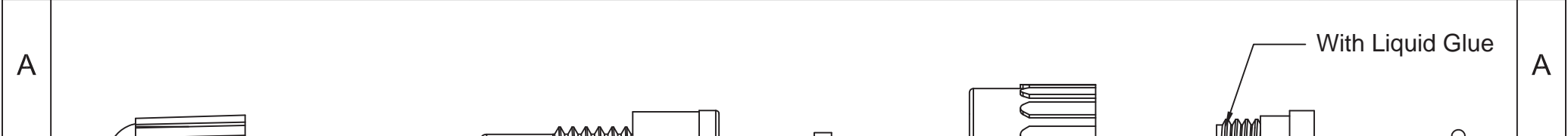
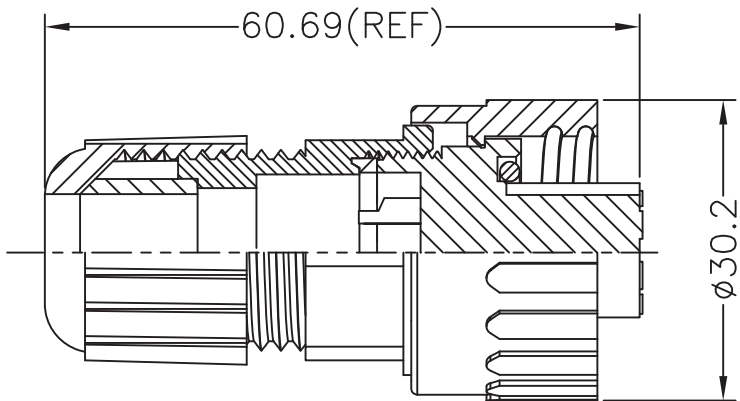


1 2 3 4 5 6 7

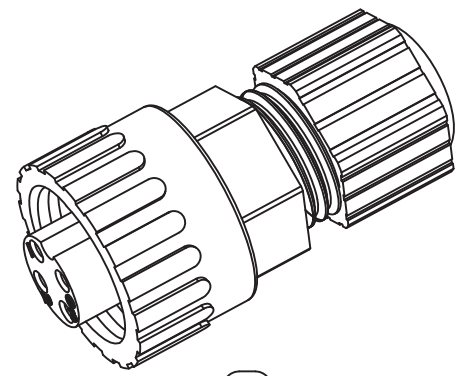


Pin Assignments
Front View



Material:

- Waterproof rate: IP67
- Connector: Black, Nylon+GF
- Pin: Copper alloy, gold plated
- Seals for cable: OD: $\phi 5.5\text{mm} \sim \phi 10.8\text{mm}$
- One set unassembled in one(1) PE bag



QC Quality Control: Inspection item

G	Scale	Free					Date	Name	Title		
	TOLERANCE						Drawn	07.03.14	Wilson	Waterproof Power Connector 4 pin Female, Assembly type	
	X.X	± 0.25					Approved	07.03.14	Groll	ASSMANN WSW-No. A-P04BFFA-S180-WP	
	X.XXX	± 0.05								Drawing-No. ASS 6265 CO	
H	Unit: mm									rev00	
	RoHS Compliant	DIM	TOL						Replace	Sheet	
		X.°	$\pm 1^\circ$						1/1		
		X.X°	$\pm X^\circ$								
	Angle	TOL	Id.	Modification	Date	Name	1840 W. Drake Drive, Suite 101 • Tempe, AZ 85283 Toll Free: 1-877-277-6266 • Email: info@assmann.us				

1 2 3 4 5 6 7