

1

2

3

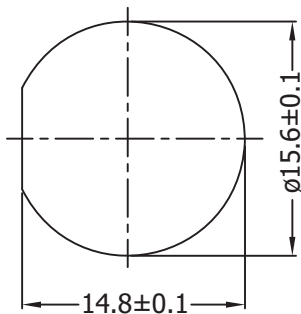
4

5

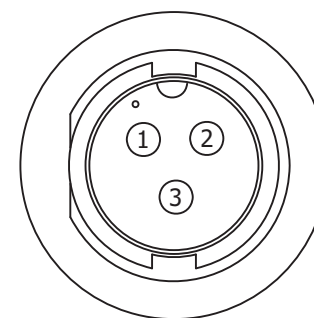
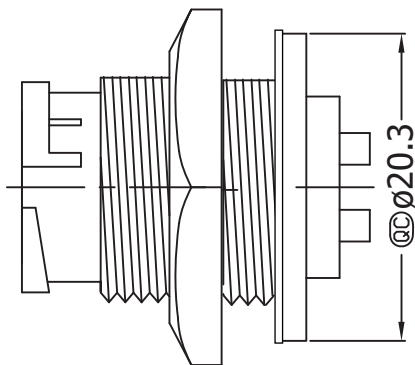
6

7

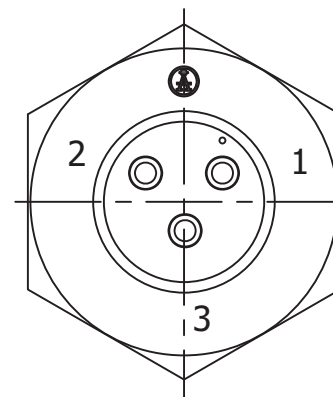
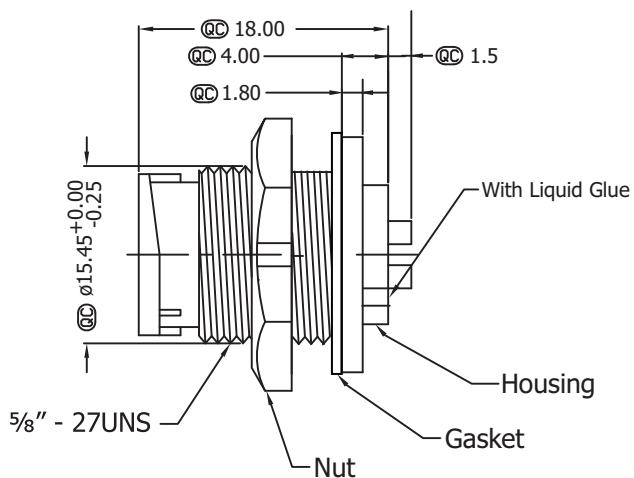
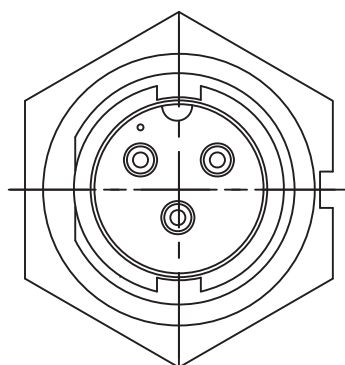
A



Recommended Panel Cut-Out

Pin Assignments
Front View

C

**Material:**

- Waterproof Rate: IP67
- Connector: Black, Nylon+GF
- Pin: Copper Alloy, Gold Plated

D

E

F

G

H

Scale	1:1							Name
TOLERANCE								Item No.
X.X	±0.40					Drawn	11.30.11	Chappell
X.XX	±0.25					Approved		
X.XXX	±0.15							Title
Angle	±3°							Waterproof Circular Connector (5A), PCB, Panel Mount
								Drawing No.
								rev00
								Replace
								Sheet
			Modification	Date	Name			



1

2

3

4

5

6

7

A

B

C

D

E

F

G

H