

8/29/89 16:22 * 89241 15:52 * PRELSE * 10-820080/099 C001

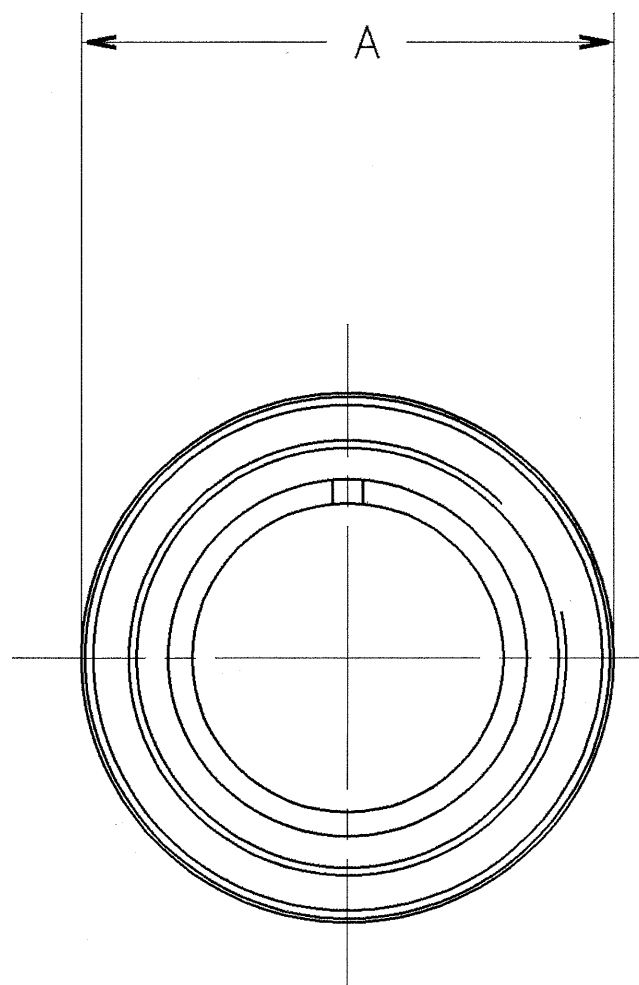
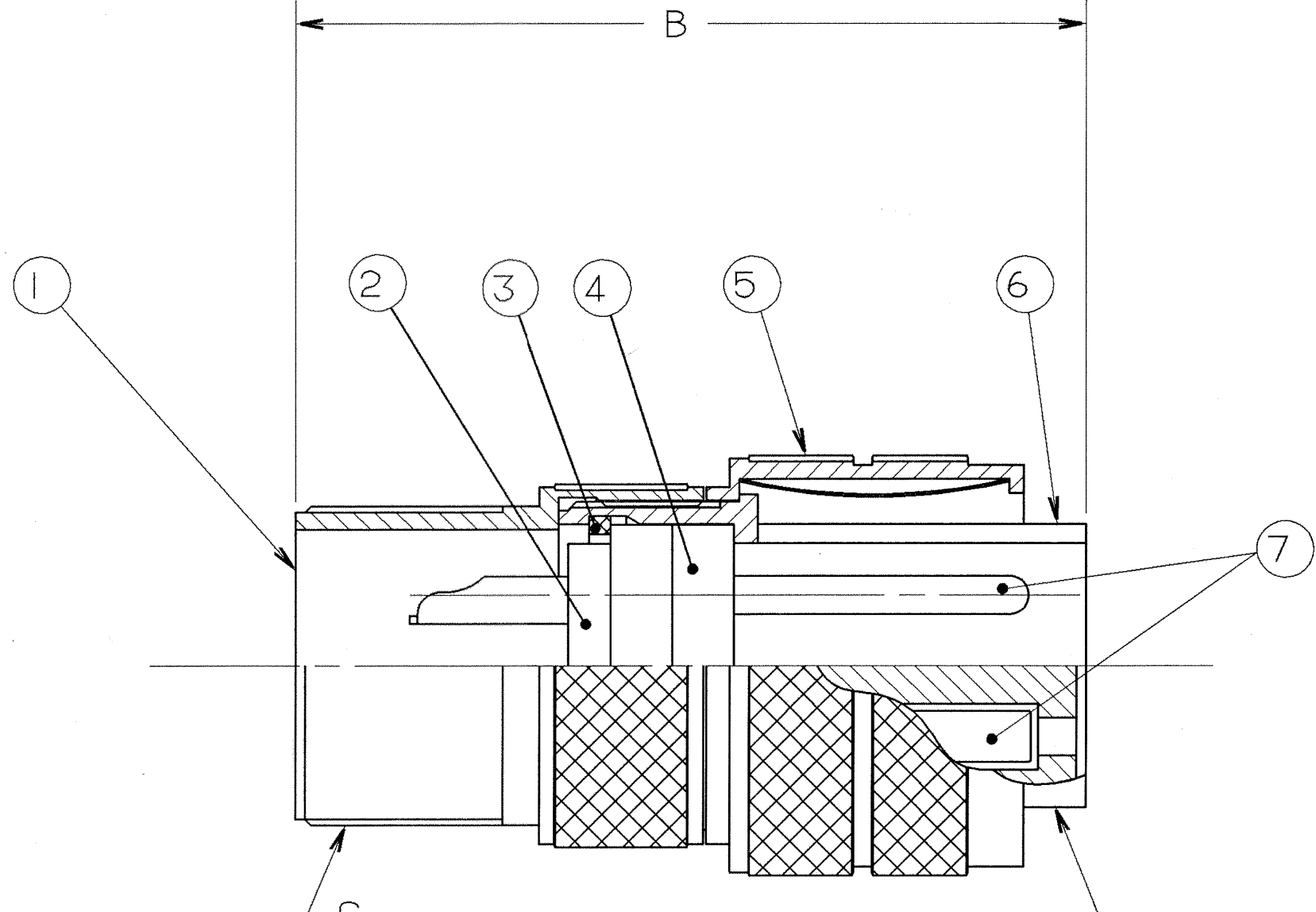
4

3

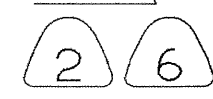
2

1

REVISIONS				
ZONE	LTR	DESCRIPTION	DATE	APPROVED
	C	(CLII) ADDED NOTE 7 ECN: 22391	08/29/89 BURNSIDE	M.N. J.B.
	D	(CLII) SEE CHANGE NOTICE ECN: 27141	8-31-92 DEMATTEO	JED
	E	(CLII) CHANGE BLOCK CHANGE ONLY WAS SHELL 10-617702-XX3 (NO SLOT) ECN: 90064	12-06-04 DEMATTEO	JED



STAMP MS OR AMPHENOL ASSEMBLY NUMBER ON THIS SURFACE. CHARACTER HEIGHT .062 MINIMUM.



FIND NO.	QTY REQD.	FSCM NO.	PART NUMBER	DESCRIPTION	NOTE REF.
7	SEE NOTE		SEE NOTE 1	CONTACTS	
6				SHELL	
5				RING, COUPLING	
4				INSERT, FRONT	
3				RING, RETAINING	
2				INSERT, REAR	
1				BACK SHELL	

UNLESS OTHERWISE SPECIFIED LINEAR DIMENSIONS ARE IN INCHES.
TOLERANCES: .XXX±.010,
.XX ±.03, .X ±.1,
ANGLES ±2°.
OTHER STANDARDS PER 9-3800 AND DOD-D-1000.
NOTE REF. =

SPECIFICATIONS		SIGNATURES		DATES		PARTS LIST	
MATERIAL SPEC.	N/A	PREPARED A. PRESCOTT		11/6/87		AMPHENOL CORPORATION BENDIX CONNECTOR OPERATIONS SIDNEY, N.Y.	
PROCESS SPEC.	9-2437-33	CHECKED PHILPOTT		11/17/87		CONNECTOR, ELECTRICAL PLUG, QUICK DISCONNECT, TYPE 97-3107A, OLIVE DRAB CADMIUM PLATED	
		APPROVED BERNHARDT		11/17/87		SIZE C	FSCM NO. 77820
		APPROVED HAYNER		11/17/87		SCALE NONE	WT. REF N/A
		1ST PART NO. 10-820082-03S					REV E

SEE SHEET 2.
NOTES:

THE USE OF THIS DOCUMENT IS UNLIMITED. HOWEVER, DOCUMENTS REFERENCED HEREON MAY CONTAIN LIMITED RIGHTS DATA.

N/A
N/A
NEXT ASSEMBLY

COMPUTER GENERATED DRAWING.

00000001 01250 10-820080/099 SHEET 1 OF 2 TAB.

97-3107A

7/29/89 16:22 * 89241 15:15 * PRELSE * 10-820080/099 0002

4

3

2

1

BENDIX ASSEMBLY NUMBER	AMPHENOL ASSEMBLY NUMBER	MS ASSEMBLY NUMBER	A DIA. MAX	B MAX	C THREAD
10-820080-()	97-3107A- 8S -()	MS3107A- 8S -()	NOT AVAILABLE		
10-820081-()	-10S -()	-10S -()	1.375	1.531	.5000-28 UNEF-2A
10-820082-()	-10SL-()	-10SL-()	1.375	1.531	.6250-24 UNEF-2A
10-820083-()	-12S -()	-12S -()	1.500	1.688	.6250-24 UNEF-2A
10-820084-()	-12SL-()	-12SL-()	NOT AVAILABLE		
10-820085-()	-12 -()	-12 -()	1.500	2.062	.6250-24 UNEF-2A
10-820086-()	-14S -()	-14S -()	1.625	1.688	.7500-20 UNEF-2A
10-820087-()	-14 -()	-14 -()	1.625	2.062	.7500-20 UNEF-2A
10-820088-()	-16S -()	-16S -()	1.750	1.688	.8750-20 UNEF-2A
10-820089-()	-16 -()	-16 -()	1.750	2.062	.8750-20 UNEF-2A
10-820090-()	-18 -()	-18 -()	1.875	2.062	1.0000-20 UNEF-2A
10-820091-()	-20 -()	-20 -()	2.000	2.188	1.1875-18 UNEF-2A
10-820092-()	-22 -()	-22 -()	2.125	2.188	1.1875-18 UNEF-2A
10-820093-()	-24 -()	-24 -()	2.250	2.312	1.4375-18 UNEF-2A
10-820094-()	-28 -()	-28 -()	2.500	2.312	1.4375-18 UNEF-2A
10-820095-()	-32 -()	-32 -()	NOT AVAILABLE		
10-820096-()	-36 -()	-36 -()	NOT AVAILABLE		
10-820097-()	-40 -()	-40 -()	NOT AVAILABLE		
10-820098-()	-44 -()	-44 -()	NOT AVAILABLE		
10-820099-()	-48 -()	-48 -()	NOT AVAILABLE		

D

D

C

C

B

97-3107A
B

A

A

TO COMPLETE, ADD APPLICABLE INSERT ARRANGEMENT SUFFIX PER 9-2437-33.

6

7. IDENTIFY PACKAGE WITH APPLICABLE MS OR 97- PART NUMBER PER NOTE 6.
6. FOR BENDIX INSERT ARRANGEMENT SUFFIX -1 THROUGH -49, STAMP MS ASSEMBLY NUMBER. FOR BENDIX INSERT ARRANGEMENT SUFFIX -50 THROUGH -99, AND -AA THROUGH -BC, STAMP AMPHENOL ASSEMBLY NUMBER.
5. FOR CONTACT ARRANGEMENT, SEE MIL-STD-1651 AND L-22208-() THROUGH L-22248-().
4. PACKAGE PER PRODUCTION PROCESS SHEET.
3. UNITS MEET THE APPLICABLE REQUIREMENTS OF MIL-C-5015.
2. SEE WORK ORDER FOR PERMISSIBLE ADDITIONAL OR ALTERNATE STAMPING.
1. SEE SEPARATE PARTS LIST FOR COMPONENT PART NUMBERS AND QUANTITIES.

NOTES:

THE USE OF THIS DOCUMENT IS UNLIMITED. HOWEVER, DOCUMENTS REFERENCED HEREON MAY CONTAIN LIMITED RIGHTS DATA.

SIZE	FSCM NO.	REV.
C	77820	E
SCALE	WT.	REF
		SHEET 2

Mouser Electronics

Authorized Distributor

Click to View Pricing, Inventory, Delivery & Lifecycle Information:

Amphenol:

[97-3107A-12S](#) [97-3107A-20](#) [97-3107A-28](#) [97-3107A-22](#) [97-3107A-20\(639\)](#) [97-3107A-16S-1P](#) [97-3107A-16S](#) [97-3107A-18](#) [97-3107A-22\(639\)](#) [97-3107A16S8P621](#) [97-3107A-16S\(621\)](#) [97-3107A-14S](#) [97-3107A-14S-6P](#) [97-3107A-14S-6S](#) [97-3107A-18-1S](#) [97-3107A-14S-2S](#) [97-3107A-16S-1S](#) [97-3107A-14S-5S](#) [97-3107A-18-10S](#) [97-3107A-14S-7S](#) [97-3107A-18\(608\)](#) [97-3107A-24](#) [97-3107A-16](#) [97-3107A-28\(639\)](#) [97-3107A-22-19P](#) [97-3107A-10SL-3S](#) [97-3107A-14S-2P](#) [97-3107A-16S-4P](#) [97-3107A-16S-4S](#) [97-3107A-16S-5P](#) [97-3107A-16S-5S](#) [97-3107A-16S-6P](#) [97-3107A-16S-6S](#) [97-3107A-16S-8P](#) [97-3107A-16S-8S](#) [97-3107A-18-10P](#) [97-3107A-18-11P](#) [97-3107A-18-11S](#) [97-3107A-18-12S](#) [97-3107A-18-4P](#) [97-3107A-18-8P](#) [97-3107A-18-8S](#) [97-3107A-20-11P](#) [97-3107A-20-11S](#) [97-3107A-20-14P](#) [97-3107A-20-14S](#) [97-3107A-20-15P](#) [97-3107A-20-15S](#) [97-3107A-20-16P](#) [97-3107A-20-17P](#) [97-3107A-20-17S](#) [97-3107A-20-18S](#) [97-3107A-20-19P](#) [97-3107A-20-19S](#) [97-3107A-20-21P](#) [97-3107A-20-21S](#) [97-3107A-20-23P](#) [97-3107A-20-24P](#) [97-3107A-20-24S](#) [97-3107A-20-27P](#) [97-3107A-20-27S](#) [97-3107A-20-29P](#) [97-3107A-20-29S](#) [97-3107A-20-33P](#) [97-3107A-20-33S](#) [97-3107A-20-3S](#) [97-3107A-20-4P](#) [97-3107A-20-6P](#) [97-3107A-20-6S](#) [97-3107A-20-7P](#) [97-3107A-20-7S](#) [97-3107A-20-8P](#) [97-3107A-20-8S](#) [97-3107A-22-10P](#) [97-3107A-22-10S](#) [97-3107A-22-11P](#) [97-3107A-22-11S](#) [97-3107A-22-12P](#) [97-3107A-22-12S](#) [97-3107A-22-13P](#) [97-3107A-22-13S](#) [97-3107A-22-14S](#) [97-3107A-22-15P](#) [97-3107A-22-15S](#) [97-3107A-22-16P](#) [97-3107A-22-16S](#) [97-3107A-22-18P](#) [97-3107A-22-18S](#) [97-3107A-22-19S](#) [97-3107A-22-1P](#) [97-3107A-22-1S](#) [97-3107A-22-20P](#) [97-3107A-22-20S](#) [97-3107A-22-22P](#) [97-3107A-22-22S](#) [97-3107A-22-23P](#) [97-3107A-22-23S](#) [97-3107A-22-27P](#) [97-3107A-22-27S](#) [97-3107A-22-28P](#)