

# 3M™ Solder Cup D Sub Plug, 8000 Series

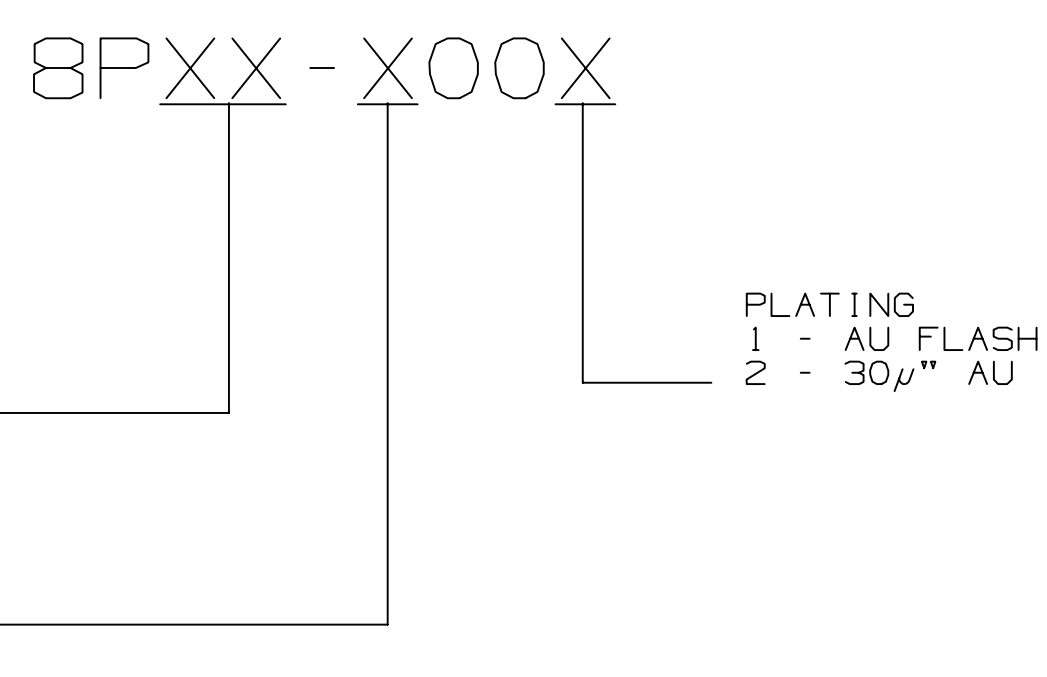
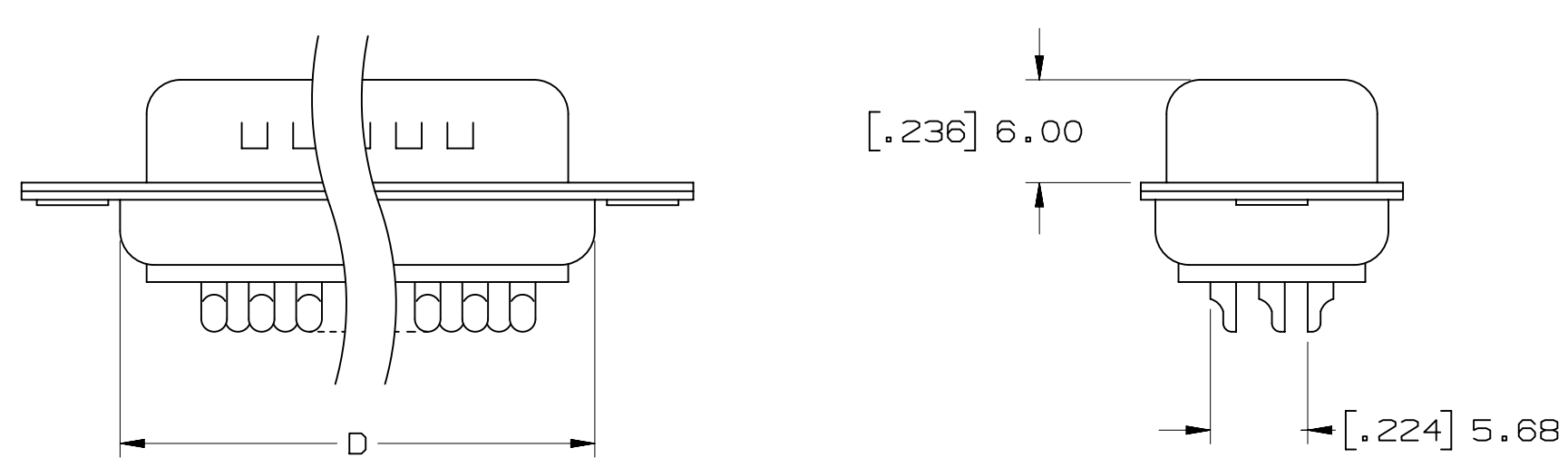
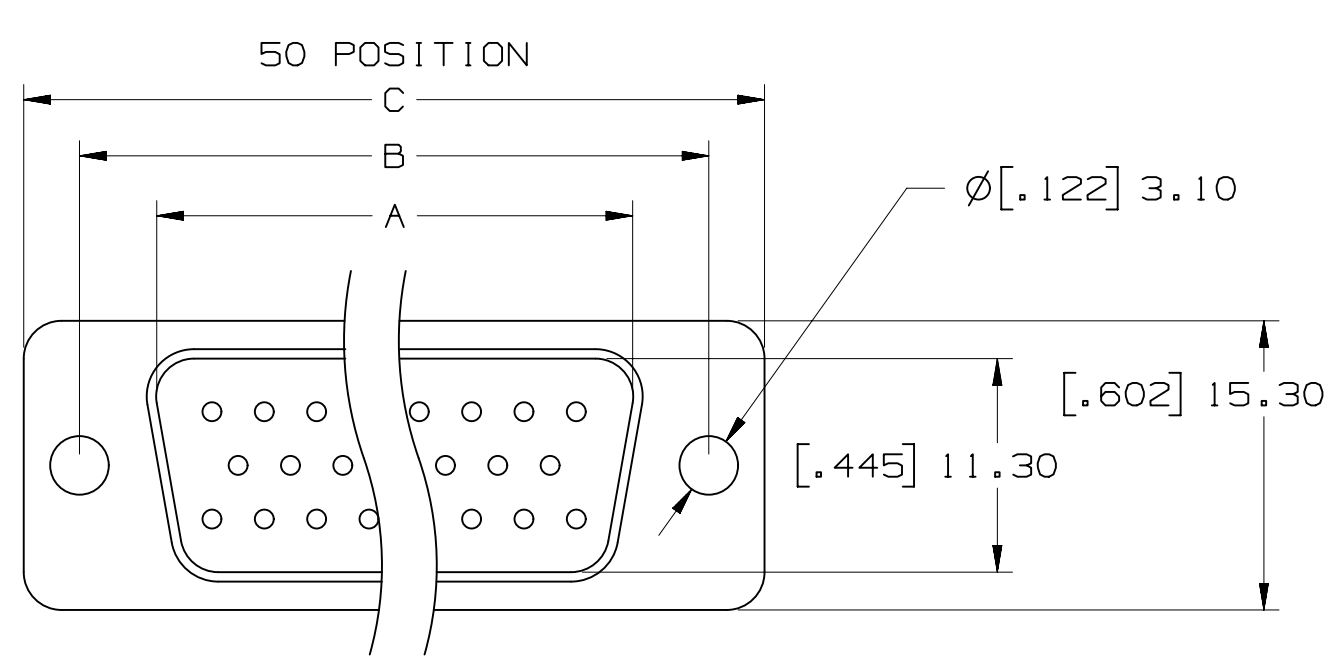
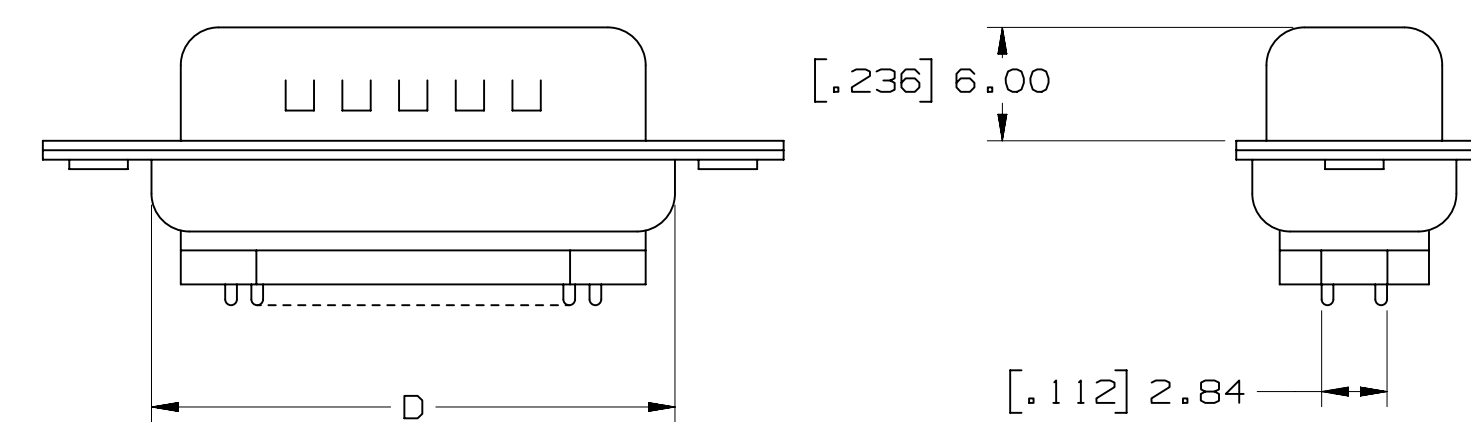
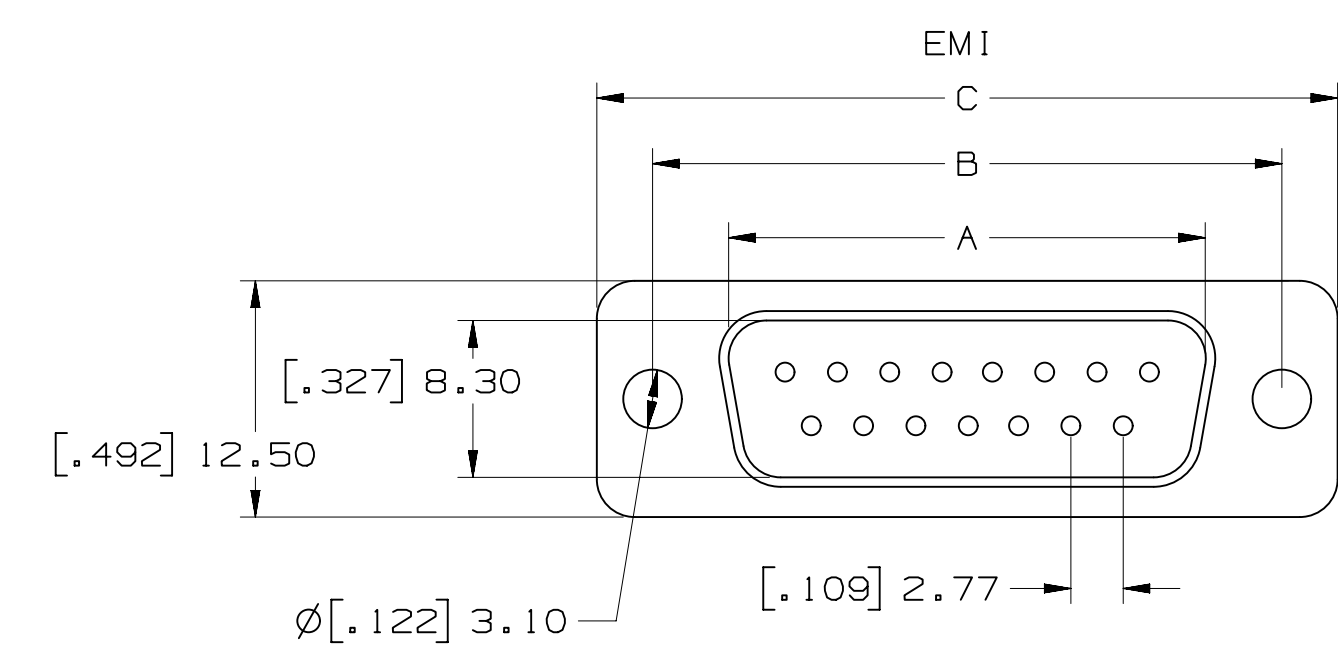
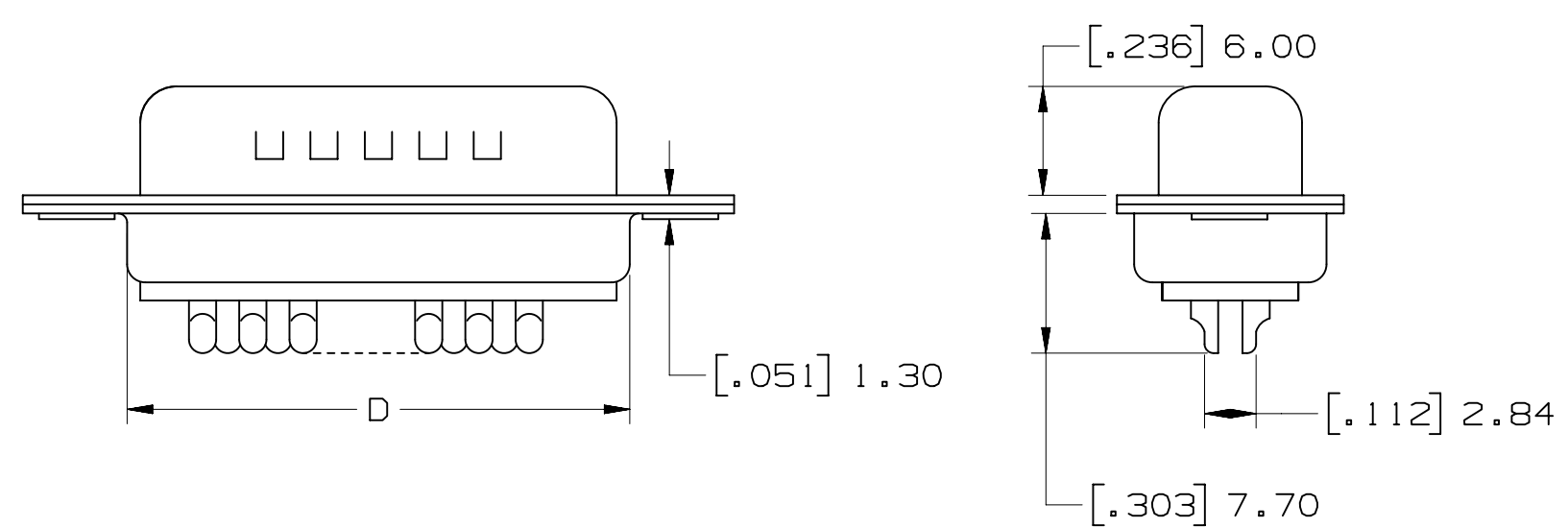
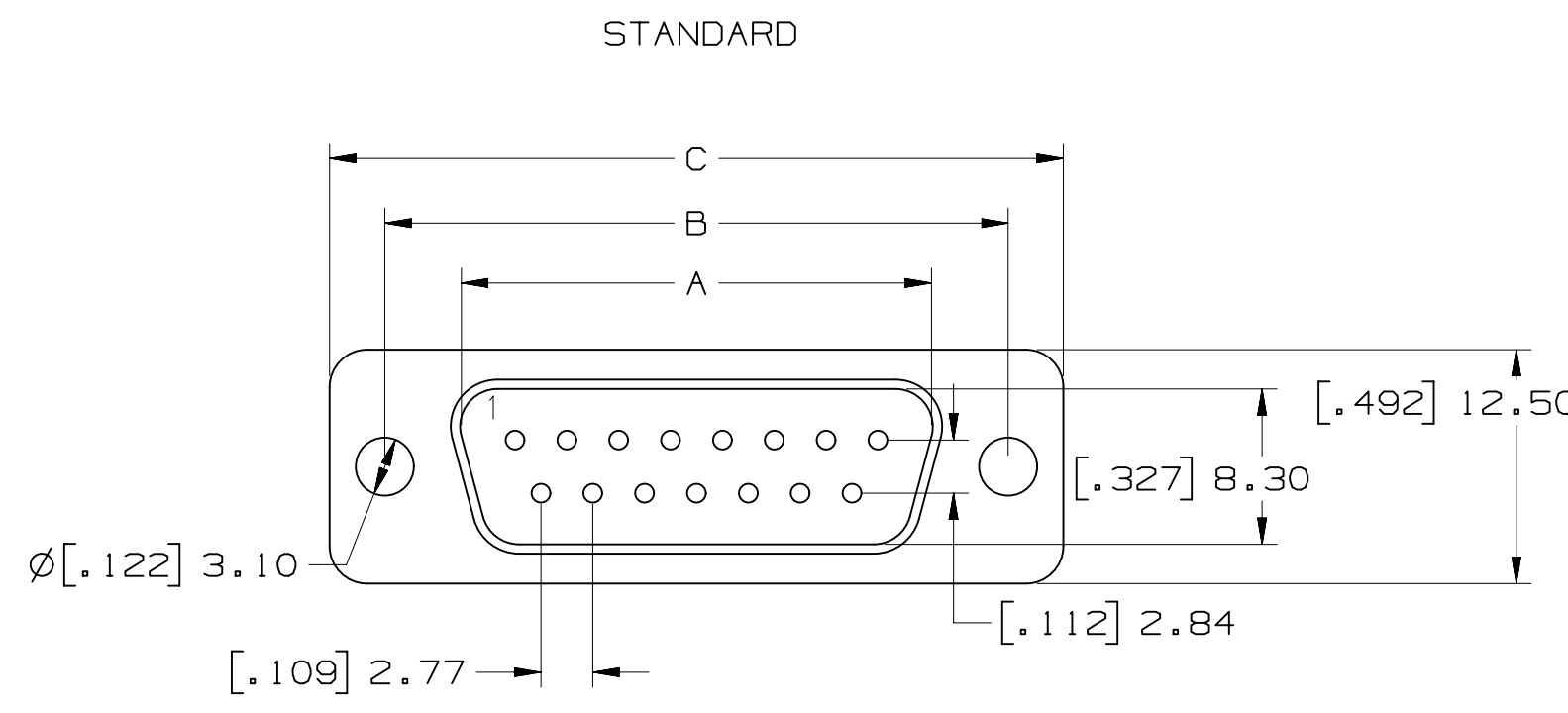
NOTES

- 1 MATERIAL:  
THERMAL PLASTIC UL94V-0  
CONTACTS:  
COPPER ALLOY  
SHELL:  
G3141 SPCC OR EQUIVALENT
- 2 PLATING:  
50μ" NICKEL UNDERPLATE  
1μ" AU WIPING AREA  
30μ" AU WIPING AREA  
100-200μ" TIN(BRIGHT TIN)SOLDERTAIL
- 3 MATES WITH:  
8RXX-X00X
- 4 SEE THE REGULATORY INFORMATION APPENDIX (RIA) IN "ROHS COMPLIANCE" SECTION OF WWW.3MCONNECTOR.COM FOR COMPLIANCE INFORMATION (RIA E1&C1 APPLY)

POSITION	A	B	C	D
09	[.67] 16.92	[.98] 25.0	[1.21] 30.8	[.76] 19.2
15	[.99] 25.25	[1.31] 33.3	[1.54] 39.2	[1.09] 27.7
25	[1.53] 38.96	[1.85] 47.1	[2.09] 53.1	[1.62] 41.1
37	[2.18] 55.42	[2.50] 63.5	[2.73] 69.4	[2.26] 57.3
50*	[2.08] 52.8	[2.4] 61.0	[2.64] 67.0	[2.17] 55.1

\*50 POSITION AVAILABLE IN STANDARD ONLY

PERFORMANCE	
OPERATION VOLTAGE:	250VAX MAX.
CURRENT:	3A MAX.
INSULATION RESISTANCE:	3000 MOhm MIN @ 500VDC
WITHSTANDING VOLTAGE:	1000 VAC/ MIN
TEMPERATURE RATING:	-55°C to + 105°C
CONTACT RESISTANCE:	15 mOhms MAX



Unless otherwise noted, references to industry specifications are intended to indicate substantial compliance to the material elements of the specification. Such references should not be construed as a guarantee of compliance to all requirements in a given specification.

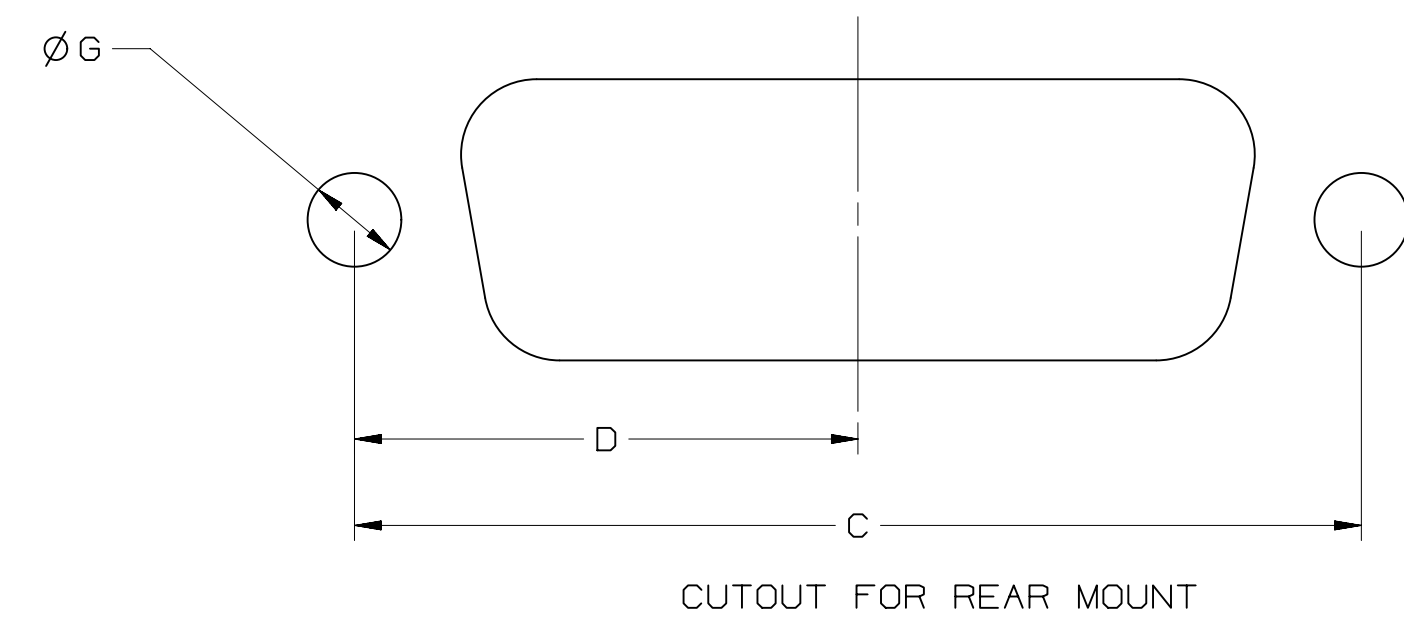
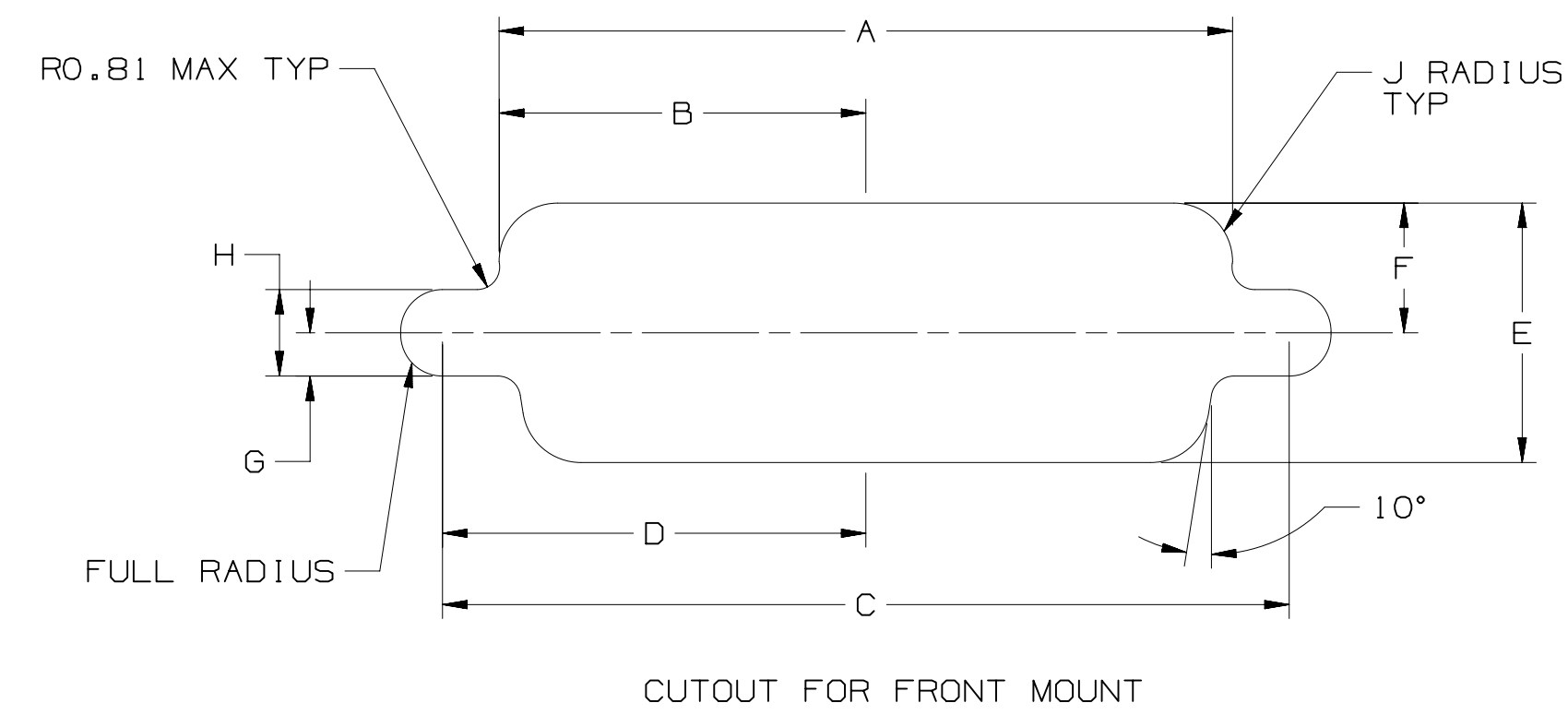
DESIGN REFERENCE	NEXT ASSEMBLY	REV	ECO	ISSUE DATE AND DESCRIPTION	DRFT	CHKD
DO NOT SCALE DRAWING SCALE 1/1 TOLERANCES EXCEPT AS NOTED INCHES .00 ± .00 .000 ± .000 .0000 ± .0000		INTERPRET PER ASME Y14.5 - 1994 MILLIMETERS 0 ± .1 .00 ± .05 .000 ± .005 ANGLS ± 1°		THIRD ANGLE PROJECTION		
MAX SURFACE ROUGHNESS 125 / ALL SURFACES [X] MARKED ONLY		CAGE NUMBER D 78-5100-2357-1		DRAWING NO. D 78-5100-2357-1		REV. C
3M ELECTRONIC SOLUTIONS DIVISION INTERCONNECT SOLUTIONS http://www.3mconnectors.com 3M IS A TRADEMARK OF 3M COMPANY. FOR TECHNICAL, SALES OR ORDERING INFORMATION, CALL 800-225-5373		3M Center St. Paul, MN 55144 © 3M COPYRIGHT 2013 This document and the information it contains are 3M property and may not be reproduced or further distributed without 3M permission, or used or disclosed other than for 3M authorized purposes. All rights reserved.		MAR 28, 2013 CORRECT SHELL MATL SJS ARM		
		AUG 29, 2011 CHANGE MOHMS TO mOHMS, UPDATE ROHS SJS ARM				
		MAY 17, 2011 MAY 17, 2011 SJS ARM				
DIVISION SJS		DIVISION CODE ARM		DATE MAY 17, 2011		DATE MAY 17, 2011
		MODEL 8P		DET [ ] YES [X] NO		SHT 1 OF 2

3M ELECTRONIC SOLUTIONS DIVISION  
 INTERCONNECT SOLUTIONS  
 http://www.3mconnectors.com  
 3M IS A TRADEMARK OF 3M COMPANY.  
 FOR TECHNICAL, SALES OR ORDERING  
 INFORMATION, CALL 800-225-5373

78-5100-2357-1

A

POSITION	MOUNTING METHOD	A	B	C	D	E	F	G	H	J
9	FRONT	.874( 22.2 )	.437( 11.1 )	.984( 25.0 )	.492( 12.5 )	.513( 13.0 )	.257( 6.5 )	.120( 3.1 )	.060( 1.5 )	.083( 2.1 )
	REAR	.806( 20.5 )	.403( 10.2 )	.984( 25.0 )	.492( 12.5 )	.449( 11.4 )	.225( 5.7 )	.120( 3.1 )	.060( 1.5 )	.132( 3.4 )
15	FRONT	1.202( 30.5 )	.601( 15.3 )	1.312( 33.3 )	.656( 16.7 )	.513( 13.0 )	.257( 6.5 )	.120( 3.1 )	.060( 1.5 )	.083( 2.1 )
	REAR	1.134( 28.8 )	.567( 14.4 )	1.312( 33.3 )	.656( 16.7 )	.449( 11.4 )	.225( 5.7 )	.120( 3.1 )	.060( 1.5 )	.132( 3.4 )
25	FRONT	1.743( 44.3 )	.872( 22.2 )	1.852( 47.0 )	.926( 23.5 )	.513( 13.0 )	.257( 6.5 )	.120( 3.1 )	.060( 1.5 )	.083( 2.1 )
	REAR	1.674( 42.5 )	.837( 21.3 )	1.852( 47.0 )	.926( 23.5 )	.449( 11.4 )	.225( 5.7 )	.120( 3.1 )	.060( 1.5 )	.132( 3.4 )
37	FRONT	2.391( 60.7 )	1.196( 30.4 )	2.500( 63.5 )	1.250( 31.8 )	.513( 13.0 )	.257( 6.5 )	.120( 3.1 )	.060( 1.5 )	.083( 2.1 )
	REAR	2.326( 59.1 )	1.163( 29.5 )	2.500( 63.5 )	1.250( 31.8 )	.449( 11.4 )	.225( 5.7 )	.120( 3.1 )	.060( 1.5 )	.132( 3.4 )
50	FRONT	2.297( 58.3 )	1.149( 29.2 )	2.406( 61.1 )	1.203( 30.6 )	.623( 15.8 )	.312( 7.9 )	.120( 3.1 )	.060( 1.5 )	.083( 2.1 )
	REAR	2.218( 56.3 )	1.109( 28.2 )	2.406( 61.1 )	1.203( 30.6 )	.555( 14.1 )	.278( 7.1 )	.120( 3.1 )	.060( 1.5 )	.132( 3.4 )



C	46292	MAR 28, 2013	SJS	ARM
		CORRECT SHELL MATL		
B	35416	AUG 29, 2011	SJS	ARM
		CHANGE MOHMS TO mOHMS, UPDATE ROHS		
A	34511	MAY 17, 2011	SJS	ARM
		MAY 17, 2011		

DESIGN REFERENCE	NEXT ASSEMBLY	REV	ECO	ISSUE DATE AND DESCRIPTION	DRFT	CHKD
		SJS		MAY 17, 2011		
		ARM		MAY 17, 2011		
DIVISION		DIVISION CODE		© 3M COPYR[IGHT] 2013 This document and the information it contains are 3M property and may not be reproduced or further distributed without 3M permission, or used or disclosed other than for 3M authorized purposes. All rights reserved.		
DO NOT SCALE DRAWING	SCALE 1/1	TOLERANCES EXCEPT AS NOTED		<b>3M</b> Center St. Paul, MN 55144 <b>TITLE</b> 8PXX-X00X D-SUB SOLDER CUP PLUG TS-2357		
THIRD ANGLE PROJECTION		INCHES		CAGE NUMBER <b>D</b> 78-5100-2357-1 MODEL BP		
INTERPRET PER ASME Y14.5 - 1994		MILLIMETERS		DRAWING NO. 78-5100-2357-1 REV. C		
MAX SURFACE ROUGHNESS 125	<input type="checkbox"/> ALL SURFACES <input checked="" type="checkbox"/> MARKED ONLY	.00 ± .05 .000 ± .005 ANGLES ± 1°		DET [ ] YES [X] NO SHT 2 OF 2		

DRAWING NUMBER 78-5100-2357-1

# Mouser Electronics

Authorized Distributor

Click to View Pricing, Inventory, Delivery & Lifecycle Information:

[3M:](#)

[8P09-E002](#) [8P37-N002](#) [8P15-N002](#) [8P25-N002](#) [8P25-E002](#) [8P15-E002](#) [8P25-E001](#) [8P09-E001](#) [8P50-N002](#)  
[8P37-E002](#) [8P50-N001](#) [8P15-E001](#) [8P09-N002](#) [8P37-E001](#)