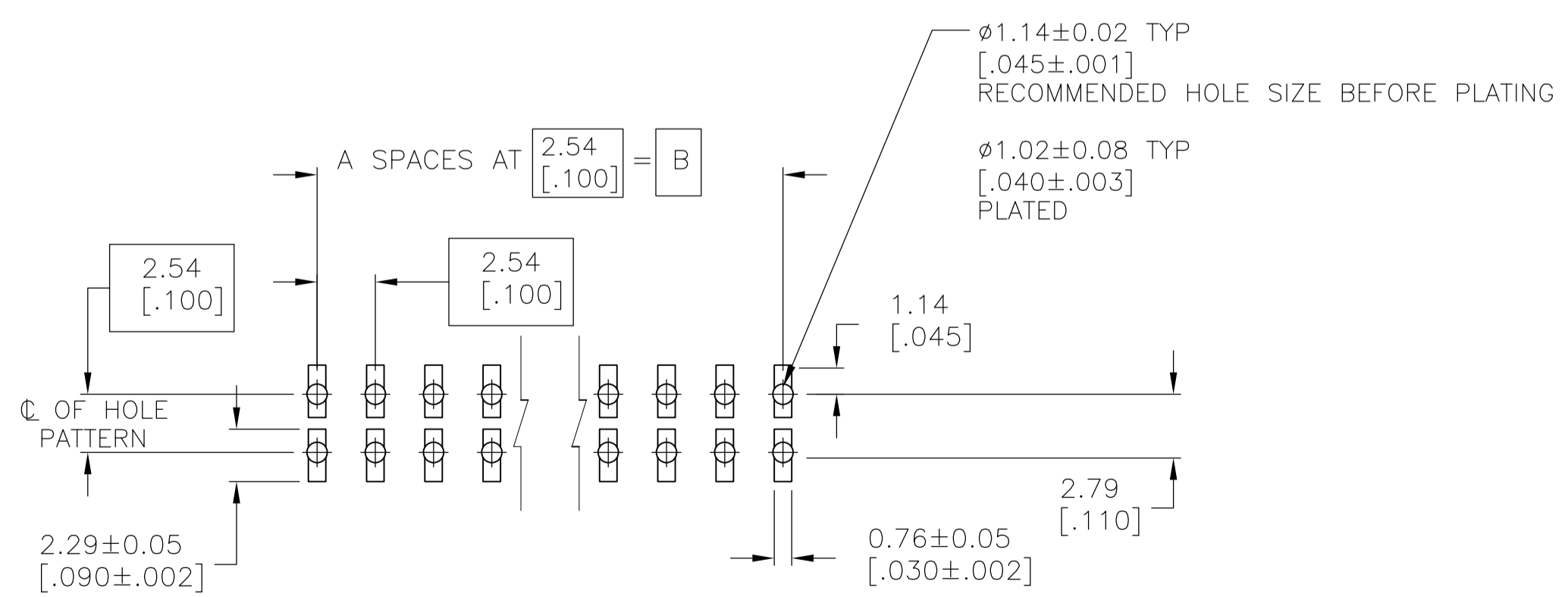
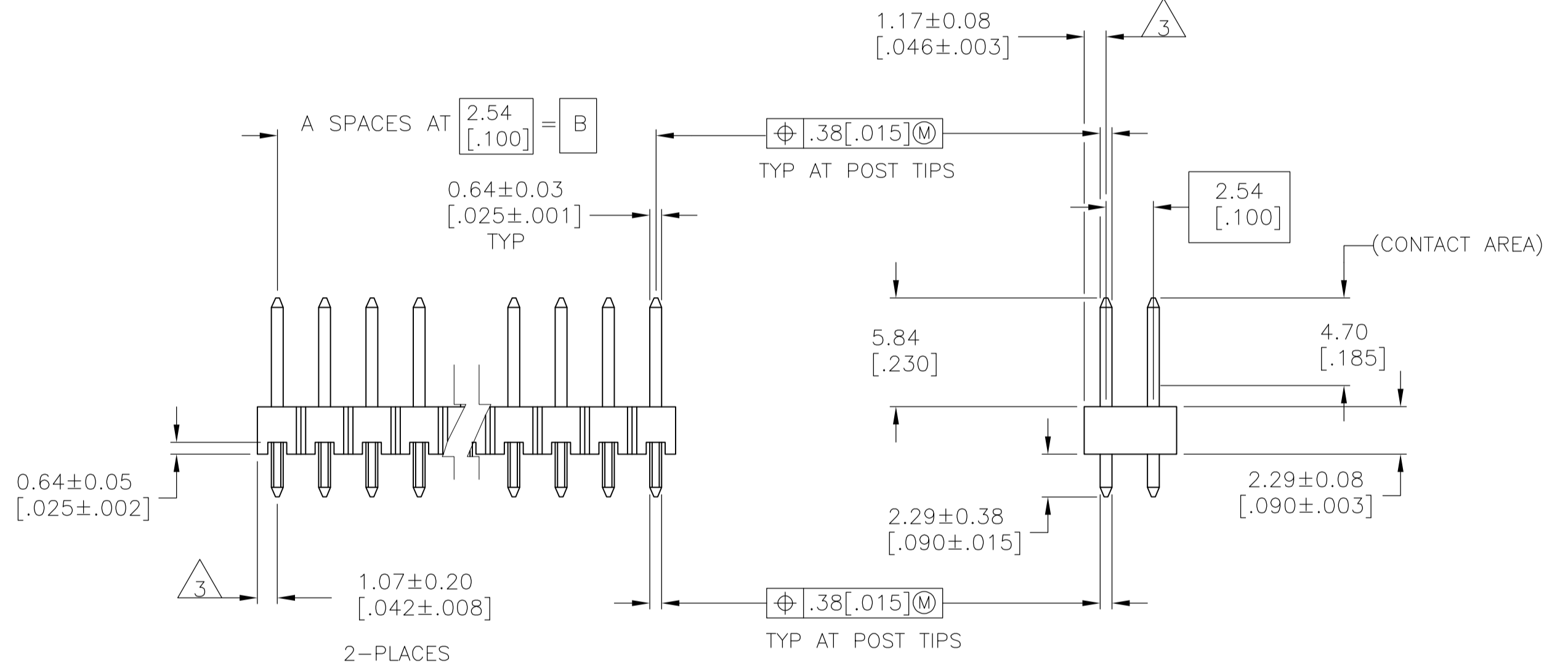
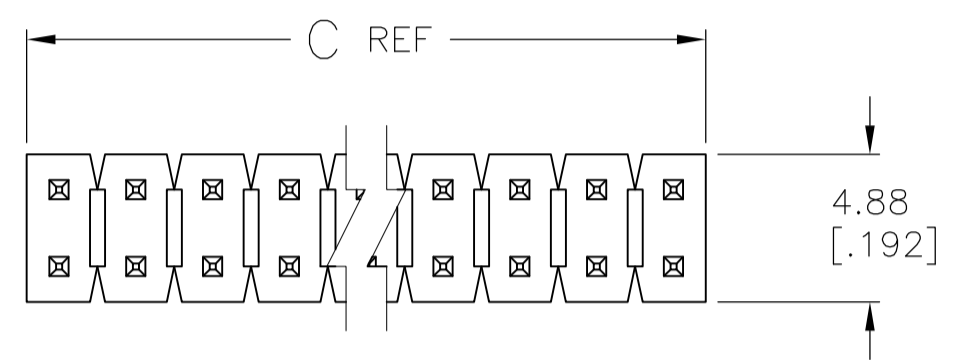


- ASSEMBLY MAY BE BROKEN TO THE DESIRED NUMBER OF POSITIONS
- TRUE POSITION TOLERANCE OF THE POST TIPS APPLIES WHEN THE HEADER IS HELD FLAT AGAINST THE PRINTED CIRCUIT BOARD
- THE NOTED DIMENSIONS APPLY AT THE INTERSECTION OF THE POST AND HOUSING
- POST PLATING: 0.00762 [.000030] GOLD ON CONTACT AREA, .00254-0.00508 [.0000100-.0000200] MATTE TIN-LEAD ON SOLDER TAIL, ALL OVER 0.00127 [.000050] NICKEL.
- HOUSING: LCP, COLOR-BLACK.
- POST: COPPER ALLOY.
- POST PLATING: 0.00762 [.000030] GOLD ON CONTACT AREA, .00254-0.00508 [.0000100-.0000200] MATTE TIN ON SOLDER TAIL, ALL OVER 0.00127 [.000050] NICKEL.
- OBSOLETE PARTS: OBSOLETE CIS STREAMLINING PER D.RENAUD/D.SINISI



RECOMMENDED PC BOARD MOUNTING DIMENSIONS FOR .063 [1.60] THICK PC BOARD AND .012 [0.305] STENCIL THICK

| PLATING | C              | B             | A  | NO. OF POSITIONS | PART NUMBER | PLATING | C              | B             | A  | NO. OF POSITIONS | PART NUMBER |
|---------|----------------|---------------|----|------------------|-------------|---------|----------------|---------------|----|------------------|-------------|
| 7       | 101.19 [3.984] | 99.06 [3.900] | 39 | 80               | 9-146261-0  | 4       | 101.19 [3.984] | 99.06 [3.900] | 39 | 80               | 4-146261-0  |
| 8       | 98.65 [3.884]  | 96.52 [3.800] | 38 | 78               | 8-146261-9  | 4       | 98.65 [3.884]  | 96.52 [3.800] | 38 | 78               | 3-146261-9  |
| 8       | 96.11 [3.784]  | 93.98 [3.700] | 37 | 76               | 8-146261-8  | 4       | 96.11 [3.784]  | 93.98 [3.700] | 37 | 76               | 3-146261-8  |
| 8       | 93.57 [3.684]  | 91.44 [3.600] | 36 | 74               | 8-146261-7  | 4       | 93.57 [3.684]  | 91.44 [3.600] | 36 | 74               | 3-146261-7  |
| 8       | 91.03 [3.584]  | 88.90 [3.500] | 35 | 72               | 8-146261-6  | 4       | 91.03 [3.584]  | 88.90 [3.500] | 35 | 72               | 3-146261-6  |
| 8       | 88.49 [3.484]  | 86.36 [3.400] | 34 | 70               | 8-146261-5  | 4       | 88.49 [3.484]  | 86.36 [3.400] | 34 | 70               | 3-146261-5  |
| 8       | 85.95 [3.384]  | 83.82 [3.300] | 33 | 68               | 8-146261-4  | 4       | 85.95 [3.384]  | 83.82 [3.300] | 33 | 68               | 3-146261-4  |
| 8       | 83.41 [3.284]  | 81.28 [3.200] | 32 | 66               | 8-146261-3  | 4       | 83.41 [3.284]  | 81.28 [3.200] | 32 | 66               | 3-146261-3  |
| 8       | 80.87 [3.184]  | 78.74 [3.100] | 31 | 64               | 8-146261-2  | 4       | 80.87 [3.184]  | 78.74 [3.100] | 31 | 64               | 3-146261-2  |
| 8       | 78.33 [3.084]  | 76.20 [3.000] | 30 | 62               | 8-146261-1  | 4       | 78.33 [3.084]  | 76.20 [3.000] | 30 | 62               | 3-146261-1  |
| 8       | 75.79 [2.984]  | 73.66 [2.900] | 29 | 60               | 8-146261-0  | 4       | 75.79 [2.984]  | 73.66 [2.900] | 29 | 60               | 3-146261-0  |
| 8       | 73.25 [2.884]  | 71.12 [2.800] | 28 | 58               | 7-146261-9  | 4       | 73.25 [2.884]  | 71.12 [2.800] | 28 | 58               | 2-146261-9  |
| 8       | 70.71 [2.784]  | 68.58 [2.700] | 27 | 56               | 7-146261-8  | 4       | 70.71 [2.784]  | 68.58 [2.700] | 27 | 56               | 2-146261-8  |
| 8       | 68.17 [2.684]  | 66.04 [2.600] | 26 | 54               | 7-146261-7  | 4       | 68.17 [2.684]  | 66.04 [2.600] | 26 | 54               | 2-146261-7  |
| 8       | 65.63 [2.584]  | 63.5 [2.500]  | 25 | 52               | 7-146261-6  | 4       | 65.63 [2.584]  | 63.5 [2.500]  | 25 | 52               | 2-146261-6  |
| 8       | 63.09 [2.484]  | 60.96 [2.400] | 24 | 50               | 7-146261-5  | 4       | 63.09 [2.484]  | 60.96 [2.400] | 24 | 50               | 2-146261-5  |
| 8       | 60.55 [2.384]  | 58.42 [2.300] | 23 | 48               | 7-146261-4  | 4       | 60.55 [2.384]  | 58.42 [2.300] | 23 | 48               | 2-146261-4  |
| 8       | 58.01 [2.284]  | 55.88 [2.200] | 22 | 46               | 7-146261-3  | 4       | 58.01 [2.284]  | 55.88 [2.200] | 22 | 46               | 2-146261-3  |
| 8       | 55.47 [2.184]  | 53.34 [2.100] | 21 | 44               | 7-146261-2  | 4       | 55.47 [2.184]  | 53.34 [2.100] | 21 | 44               | 2-146261-2  |
| 8       | 52.93 [2.084]  | 50.80 [2.000] | 20 | 42               | 7-146261-1  | 4       | 52.93 [2.084]  | 50.80 [2.000] | 20 | 42               | 2-146261-1  |
| 8       | 50.39 [1.984]  | 48.26 [1.900] | 19 | 40               | 7-146261-0  | 4       | 50.39 [1.984]  | 48.26 [1.900] | 19 | 40               | 2-146261-0  |
| 8       | 47.85 [1.884]  | 45.72 [1.800] | 18 | 38               | 6-146261-9  | 4       | 47.85 [1.884]  | 45.72 [1.800] | 18 | 38               | 1-146261-9  |
| 8       | 45.31 [1.784]  | 43.18 [1.700] | 17 | 36               | 6-146261-8  | 4       | 45.31 [1.784]  | 43.18 [1.700] | 17 | 36               | 1-146261-8  |
| 8       | 42.77 [1.684]  | 40.64 [1.600] | 16 | 34               | 6-146261-7  | 4       | 42.77 [1.684]  | 40.64 [1.600] | 16 | 34               | 1-146261-7  |
| 8       | 40.23 [1.584]  | 38.10 [1.500] | 15 | 32               | 6-146261-6  | 4       | 40.23 [1.584]  | 38.10 [1.500] | 15 | 32               | 1-146261-6  |
| 8       | 37.69 [1.484]  | 35.56 [1.400] | 14 | 30               | 6-146261-5  | 4       | 37.69 [1.484]  | 35.56 [1.400] | 14 | 30               | 1-146261-5  |
| 8       | 35.15 [1.384]  | 33.02 [1.300] | 13 | 28               | 6-146261-4  | 4       | 35.15 [1.384]  | 33.02 [1.300] | 13 | 28               | 1-146261-4  |
| 8       | 32.61 [1.284]  | 30.48 [1.200] | 12 | 26               | 6-146261-3  | 4       | 32.61 [1.284]  | 30.48 [1.200] | 12 | 26               | 1-146261-3  |
| 8       | 30.07 [1.184]  | 27.94 [1.100] | 11 | 24               | 6-146261-2  | 4       | 30.07 [1.184]  | 27.94 [1.100] | 11 | 24               | 1-146261-2  |
| 8       | 27.53 [1.084]  | 25.40 [1.000] | 10 | 22               | 6-146261-1  | 4       | 27.53 [1.084]  | 25.40 [1.000] | 10 | 22               | 1-146261-1  |
| 8       | 24.99 [.984]   | 22.86 [.900]  | 9  | 20               | 6-146261-0  | 4       | 24.99 [.984]   | 22.86 [.900]  | 9  | 20               | 1-146261-0  |
| 8       | 22.45 [.884]   | 20.32 [.800]  | 8  | 18               | 5-146261-9  | 4       | 22.45 [.884]   | 20.32 [.800]  | 8  | 18               | 1-146261-9  |
| 8       | 19.91 [.784]   | 17.78 [.700]  | 7  | 16               | 5-146261-8  | 4       | 19.91 [.784]   | 17.78 [.700]  | 7  | 16               | 1-146261-8  |
| 8       | 17.37 [.684]   | 15.24 [.600]  | 6  | 14               | 5-146261-7  | 4       | 17.37 [.684]   | 15.24 [.600]  | 6  | 14               | 1-146261-7  |
| 8       | 14.83 [.584]   | 12.70 [.500]  | 5  | 12               | 5-146261-6  | 4       | 14.83 [.584]   | 12.70 [.500]  | 5  | 12               | 1-146261-6  |
| 8       | 12.29 [.484]   | 10.16 [.400]  | 4  | 10               | 5-146261-5  | 4       | 12.29 [.484]   | 10.16 [.400]  | 4  | 10               | 1-146261-5  |
| 8       | 9.75 [.384]    | 7.62 [.300]   | 3  | 8                | 5-146261-4  | 4       | 9.75 [.384]    | 7.62 [.300]   | 3  | 8                | 1-146261-4  |
| 8       | 7.21 [.284]    | 5.08 [.200]   | 2  | 6                | 5-146261-3  | 4       | 7.21 [.284]    | 5.08 [.200]   | 2  | 6                | 1-146261-3  |
| 8       | 4.67 [.184]    | 2.54 [.100]   | 1  | 4                | 5-146261-2  | 4       | 4.67 [.184]    | 2.54 [.100]   | 1  | 4                | 1-146261-2  |
| 8       | 2.13 [.084]    | -             | 0  | 2                | 5-146261-1  | 4       | 2.13 [.084]    | -             | 0  | 2                | 1-146261-1  |

THIS DRAWING IS A CONTROLLED DOCUMENT.

|                              |  |                            |  |
|------------------------------|--|----------------------------|--|
| DIMENSIONS: mm [INCHES]      | TOLERANCES UNLESS OTHERWISE SPECIFIED: | DIN T. HOFFMAN 08-05-95    | STE TE Connectivity  |
| 0 PLC ± -                    | 1 PLC ± 0.15[.005]                     | CHK G. DUBNICZKI 03-10-95  | NAME: HEADER ASSEMBLY, MOD II, BREAKAWAY, DOUBLE ROW, VERTICAL, HIGH TEMPERATURE |
| 2 PLC ± 0.12[.005]           | 3 PLC ± 0.12[.005]                     | APVO G. DUBNICZKI 03-10-95 | PRODUCT SPEC   |
| 4 PLC ± 0.127[.005]          | ANGLES ± -                             | APPLICATION SPEC           | SIZE: A1   |
| MATERIAL: HOUSING: Δ POST: Δ | FINISH: SEE TABLE                      | WEIGHT: -                  | CAGE CODE: 00779   |
|                              |  | CUSTOMER DRAWING           | DRAWING NO: 146261   |
|                              |  |                            | SCALE: 4:1 SHEET 1 OF 1 REV H  |