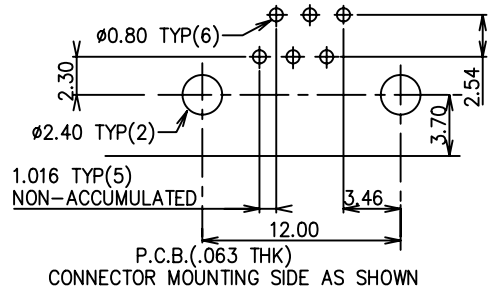
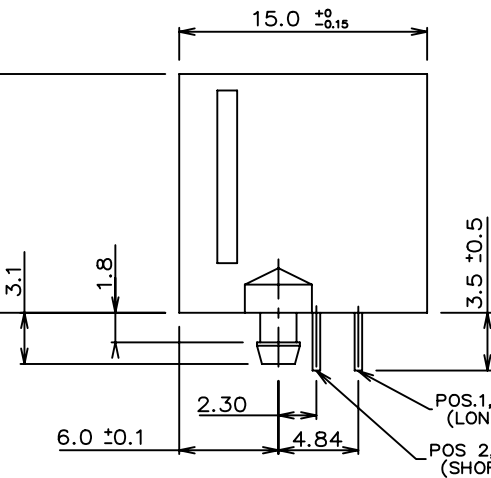
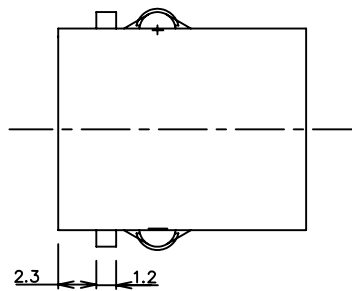
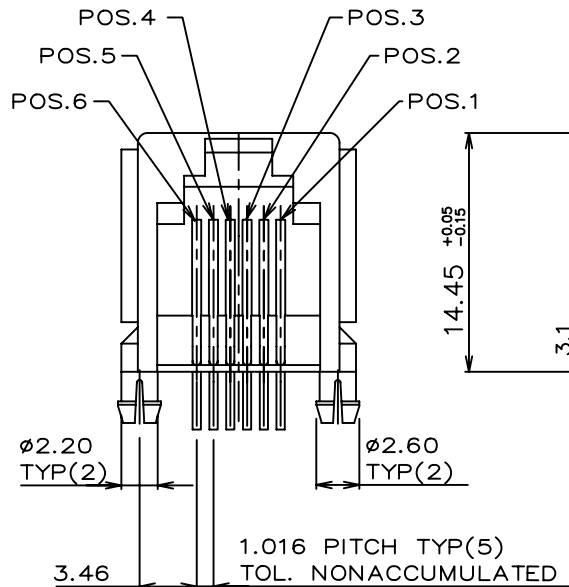


PRODUCT NO	CONDUCTOR TYP OF POS	CONDUCTOR ASS'Y POS NO	CONTACT PLATING	HOUS'G COLOR
86285-002/002LF	6/4	2,3,4,5	30U" GXT	BLACK
86285-005/005LF	6/6	1,2,3,4,5,6	30U" GXT	GRAY
86285-006/006LF	6/6	1,2,3,4,5,6	30U" GXT	BLACK

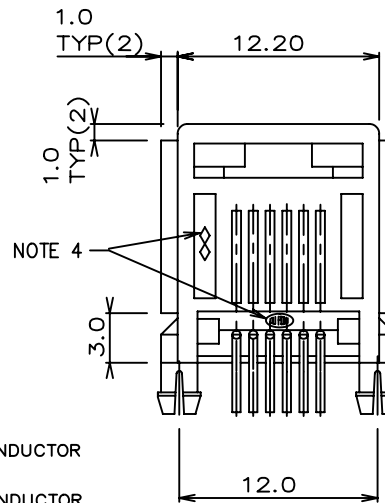



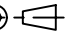
P.C.B. (.063 THK)
CONNECTOR MOUNTING SIDE AS SHOWN



NOTE:

- FOR VISUAL, MECHANICAL AND FUNCTIONAL REQUIREMENTS SEE PRODUCT SPEC. 110-042.
- HOUSING MAT'L: GLASS REINFORCED 66 NYLON ZYTEL-50, UL-94V-0.
- GOLD WIRE MAT'L: PHOS. BRONZE 0.46 DIA. PLATING: SEE TABLE PLATING OVER 100 U" NICKEL.
- A. STANDARD PACKAGING METHOD(USE TRAY): SEE GES-14-351.
B. NON-STANDARD PACKAGING METHOD(USE TUBE): SEE GES-14-358.
THE PART NO. SHOULD BE SUFFIXED WITH "T". (E.G.86285-001T)
- MATABLE PLUG: PLUG CONFORMED TO FCC TYPE 623.



mat'l code		tolerance unless otherwise specified		CUSTOMER COPY		 www.fcconnect.com		
rev.	ecn no.	dr	date	linear	.0 ± 0.25	projection		
A	T00704				.00 ± 0.13			
B	T10249				.000± 0.05			
C	T20077			angles	± 2'			
D	T60025	C L	01/12/96	dr	KCHOU	03/27/92	unit	
E	T03-0443	WL	10/06/03	engr	TONY CHIEN	03/27/92	mm/inch	
F	N05-0018	YS	01/26/05	chr	TONY CHIEN	03/27/92	scale	
				appd	JENN TSAO	03/27/92	3/1	
sheet	revision	E						
index	sheet	1						

Tous droits strictement reserves. Reproduction ou communication a des tiers int sous quelque forme que ce soit sans autorisation écrite du propriétaire. Droits de reproduction BERG ELECTRONICS by



All rights strictly reserved. Reproduction or issue to third parties in any form whatsoever is not permitted without written authority from the proprietor. Copyright BERG ELECTRONICS by