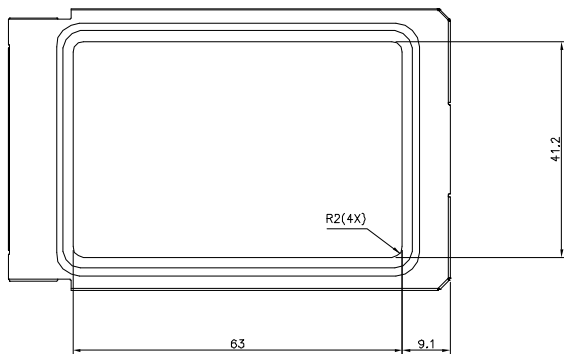
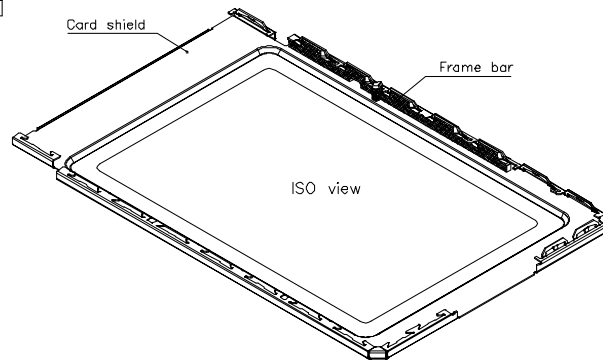
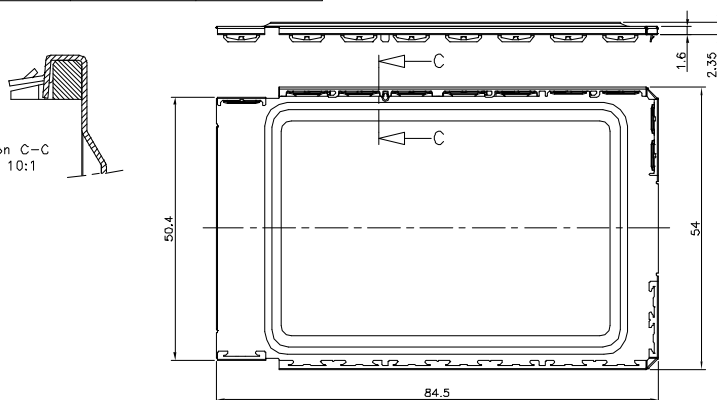
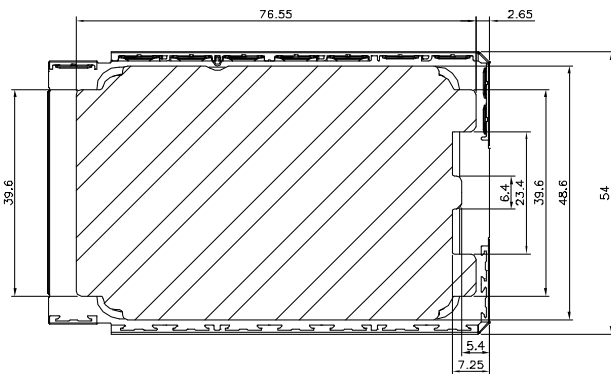


| | | | | |
|----------------|-----------|--------------|----------------|------------------------|
| Product number | Insulator | Label recess | Product number | Packaging |
| 83808-2100LF | no | no | 83808-xxxxLF | 1000 Rocard Shield/Box |
| 83808-2101LF | yes | no | 83808-xxxxSLF | 200 Rocard Shield/Box |
| 83808-2110LF | no | yes | | |
| 83808-2111LF | yes | yes | | |

Section C-C
Scale 10:1



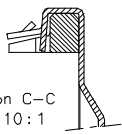
Version: Label recess
(maximum label thickness 0.07 mm)



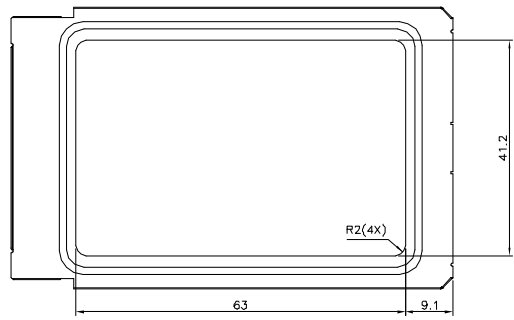
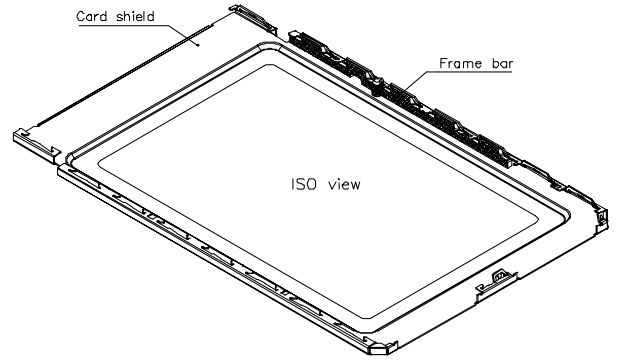
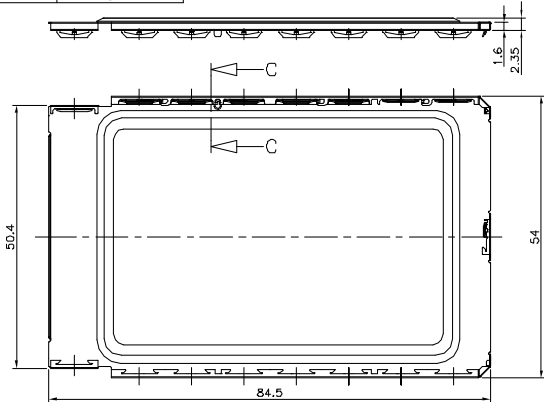
Version: Insulator
(thickness 0.07 mm)

| | | | | |
|------------|--------------|--------------------------------------|------------|-------------------|
| MatL code | surface | tolerance | projection | product family |
| litr | iso 1802 | iso 446 | iso 10 | PCMCIA |
| ecm no | date | tolerance unless otherwise specified | mm | title |
| A H80049 | 00A 98.02.12 | Linear | scale 2:1 | ROCARD SHIELD |
| B F80195 | 00A 98.04.08 | | | TYPE II, 1x1/0 |
| C F90323 | 00A 99.05.04 | | | FCI |
| D F10514 | 01A 01.09.07 | | | sheet 2 of - size |
| E F05-0254 | 02A 02.09.26 | | | 83808 |
| F F05-0158 | 02A 02.02.27 | | | Az |
| G F05-0248 | 02A 02.02.27 | | | CUSTOMER Drawing |
| sheet | revision | | | |
| index | sheet | | | |

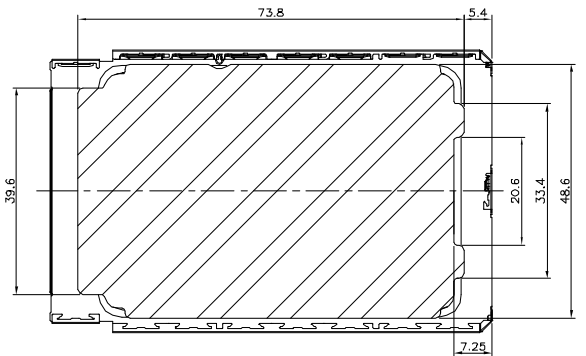
| | | | | |
|----------------|-----------|--------------|----------------|------------------------|
| Product number | Insulator | Label recess | Product number | Packaging |
| 83808-22000LF | no | no | 83808-xxxxLF | 1000 Rocard Shield/Box |
| 83808-22010LF | yes | no | 83808-xxxxSLF | 200 Rocard Shield/Box |
| 83808-22100LF | no | yes | | |
| 83808-22110LF | yes | yes | | |



Section C-C
Scale 10:1



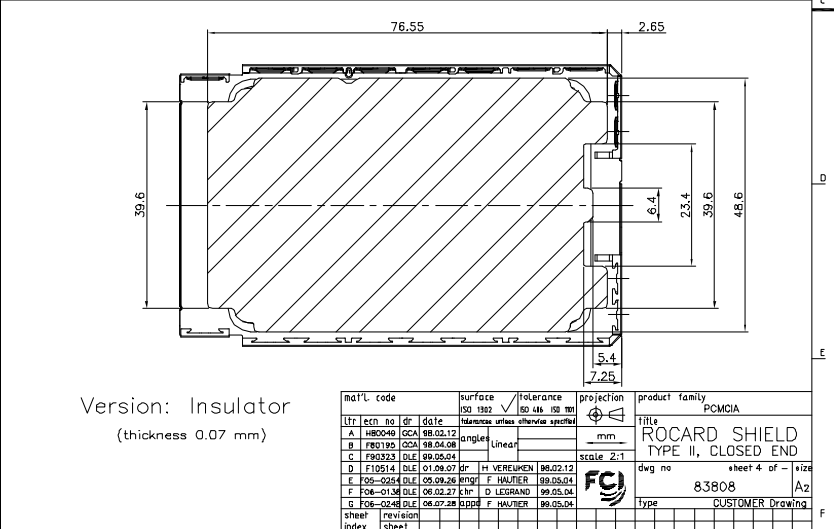
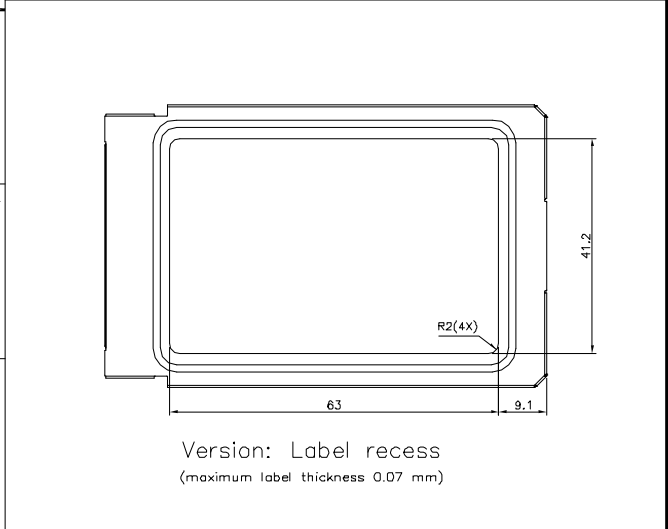
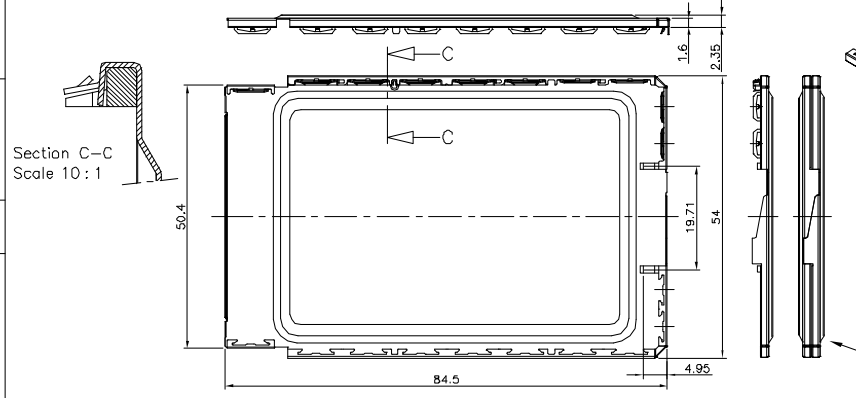
Version: Label recess
(maximum label thickness 0.07 mm)



Version: Insulator
(thickness 0.07 mm)

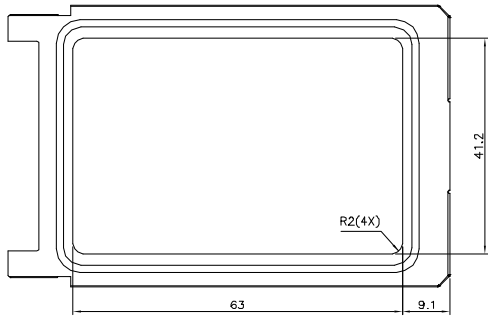
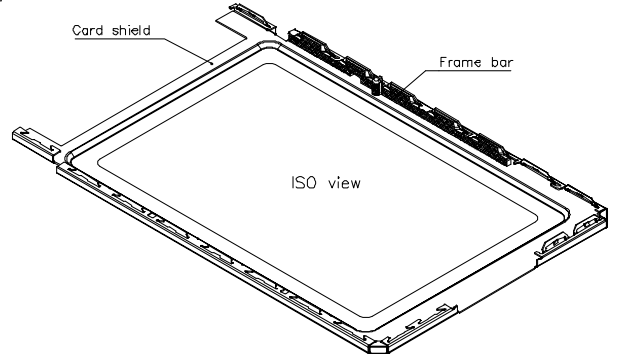
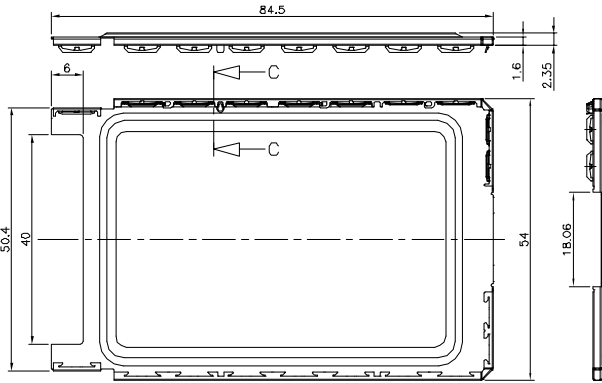
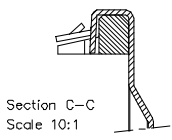
| | | | | |
|-------------|----------|--------------------------------------|------------|-----------------------|
| MatL code | surface | tolerance | projection | product family |
| litr | iso 1802 | iso 446 | iso 10 | PCMCIA |
| ecm no | date | tolerance unless otherwise specified | mm | ROCARD SHIELD |
| A | 08.02.12 | Linear | scale 2:1 | TYPE II, 2xl/0 |
| B | 08.04.08 | | | dwg no 83808 |
| C | 09.05.04 | | | sheet 3 of - size Az |
| D | 01.09.07 | H VEREUKEN | 06.02.12 | type CUSTOMER Drawing |
| E | 05.09.26 | F HAUTER | 09.05.04 | |
| F | 06.02.27 | D LESTRANO | 09.05.04 | |
| G | 04.07.28 | F HAUTER | 09.05.04 | |
| sheet index | revision | | | |

| | | | | |
|----------------|-----------|--------------|----------------|------------------------|
| Product number | Insulator | Label recess | Product number | Packaging |
| 83808-20000LF | no | no | 83808-xxxxLF | 1000 Rocard Shield/Box |
| 83808-20010LF | yes | no | 83808-xxxxSLF | 200 Rocard Shield/Box |
| 83808-20100LF | no | yes | | |
| 83808-20110LF | yes | yes | | |

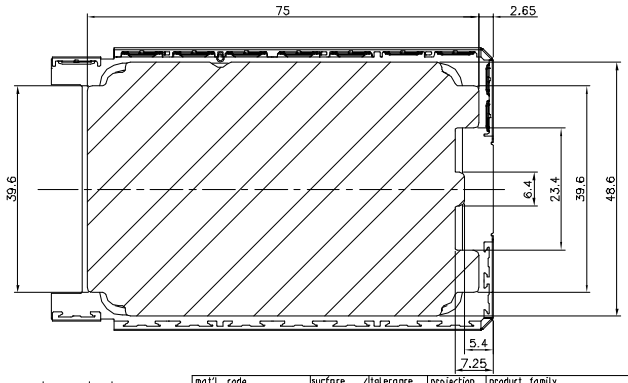


| | | | | |
|-----------|----------|-----------|------------|----------------|
| MatL code | surface | tolerance | projection | product family |
| ltr | ecm | no | dr | date |
| A | H80040 | CCA | 98.02.12 | |
| B | F80190 | CCA | 98.04.08 | |
| C | F80320 | DLE | 99.05.04 | |
| D | F10514 | DLE | 01.09.07 | dr |
| E | F05-0254 | DLE | 02.09.26 | emaf |
| F | F05-0158 | DLE | 06.02.27 | km |
| G | F05-0248 | DLE | 04.07.28 | rippe |
| | | | | F. HAUTER |
| | | | | D. LEHRMANN |
| | | | | 88.05.04 |
| sheet | revision | | | |
| index | sheet | | | |

| Product number | Insulator | Label recess | Product number | Packaging |
|----------------|-----------|--------------|----------------|------------------------|
| 83808-21001LF | no | no | 83808-xxxxLF | 1000 Rocard Shield/Box |
| 83808-21011LF | yes | no | 83808-xxxxSLF | 200 Rocard Shield/Box |
| 83808-21101LF | no | yes | | |
| 83808-21111LF | yes | yes | | |



Version: Label recess
(maximum label thickness 0.07 mm)

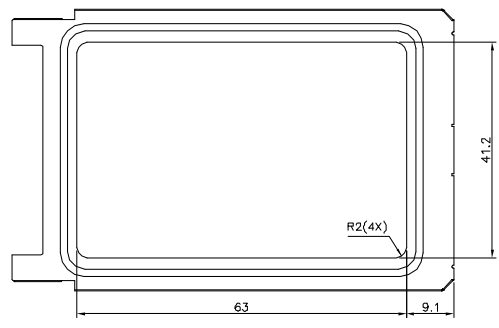
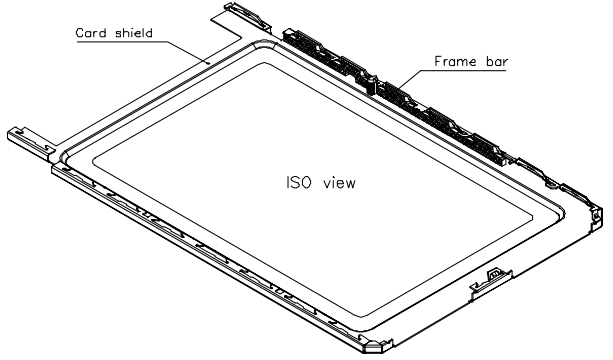
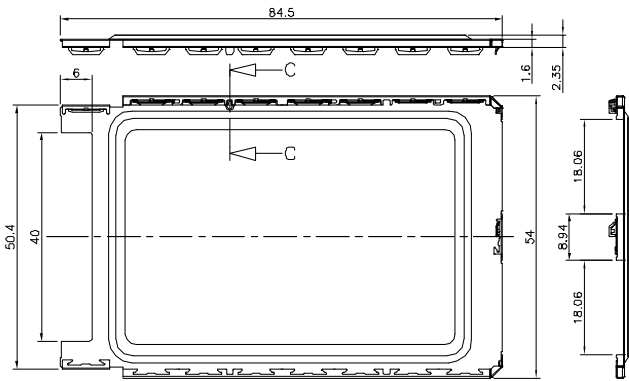
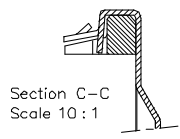


Version: Insulator
(thickness 0.07 mm)

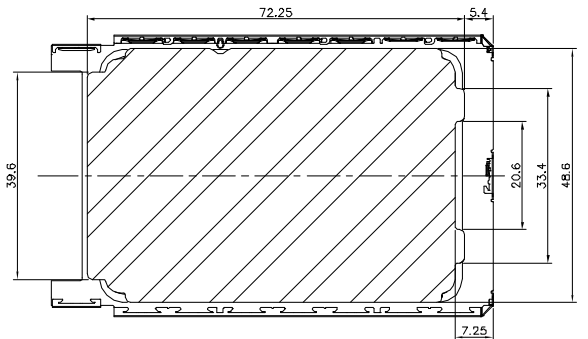
| MatL code | surface | tolerance | projection | product family |
|-----------|----------|-----------|------------|----------------|
| itr | ecm | no | dr | date |
| A | H80049 | CCA | 98.02.12 | |
| B | F80195 | CCA | 98.04.08 | |
| C | F80323 | DLE | 99.05.04 | |
| D | F10514 | DLE | 01.09.07 | dr |
| E | F05-0254 | DLE | 02.09.26 | enat |
| F | F05-0158 | DLE | 06.02.27 | kn |
| G | F05-0248 | DLE | 04.07.28 | rippe |
| sheet | revision | | | |
| index | sheet | | | |

| ISO 1802 | tolerance unless otherwise specified | projection | product family |
|----------------------|--------------------------------------|-------------------|----------------|
| mm | Linear | scale 2:1 | PCMCIA |
| Title | | | |
| ROCARD SHIELD | | | |
| TYPEII,1xI/D,CARDBUS | | | |
| dwg no | | sheet 5 of - size | |
| 83808 | | Az | |
| type | | CUSTOMER Drawing | |

| Product number | Insulator | Label recess | Product number | Packaging |
|----------------|-----------|--------------|----------------|------------------------|
| 83808-22001LF | no | no | 83808-xxxxLF | 1000 Rocard Shield/Box |
| 83808-22011LF | yes | no | 83808-xxxxSLF | 200 Rocard Shield/Box |
| 83808-22101LF | no | yes | | |
| 83808-22111LF | yes | yes | | |



Version: Label recess
(maximum label thickness 0.07 mm)

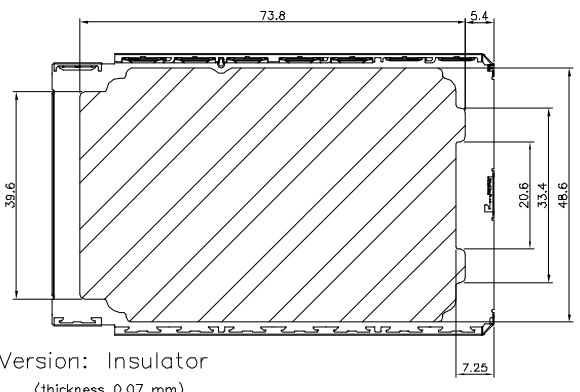
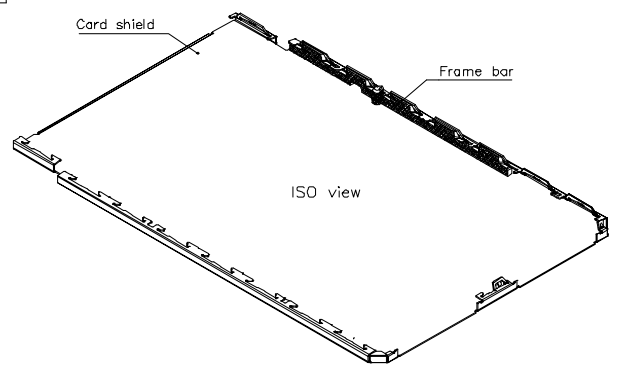
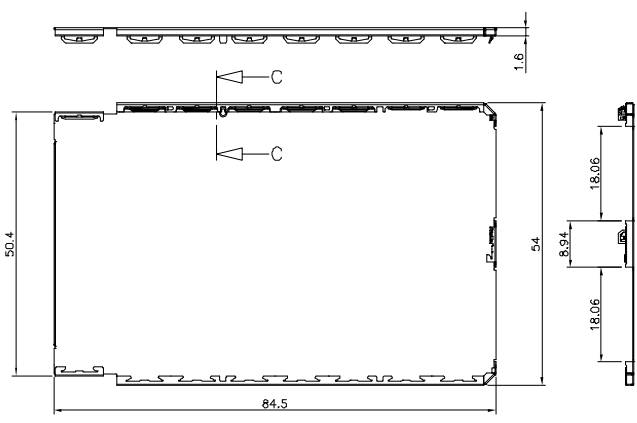
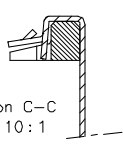


Version: Insulator
(thickness 0.07 mm)

| MatL code | surface | tolerance | projection | product family |
|-----------|----------|--------------------------------------|------------|---------------------|
| litr | no | iso 1802 | mm | PCMCIA |
| dr | date | tolerance unless otherwise specified | mm | |
| A | H80049 | 00A | 98.02.12 | |
| B | F80190 | 00A | 98.04.08 | |
| C | F80323 | 01E | 99.05.04 | |
| D | F10514 | 01E | 01.09.07 | H VEREUKEN 06.02.12 |
| E | F05-0254 | 01E | 05.09.26 | F HAUTER 99.05.04 |
| F | F05-0158 | 01E | 05.02.27 | D LESTRAND 99.05.04 |
| G | F05-0248 | 01E | 04.07.28 | F HAUTER 99.05.04 |
| sheet | revision | | | |
| index | sheet | | | |

title
ROCARD SHIELD
TYPE 11,2x1/0,CARDBUS
dwg no 83808
sheet 6 of - size Az
type CUSTOMER Drawing

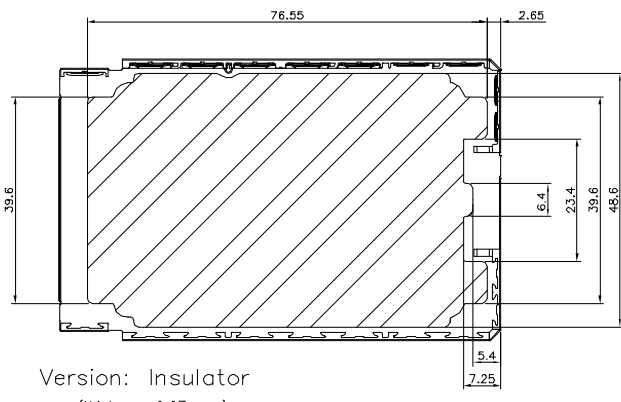
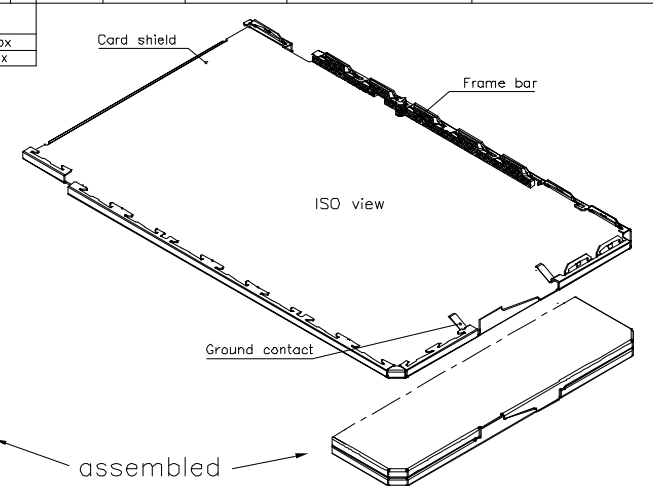
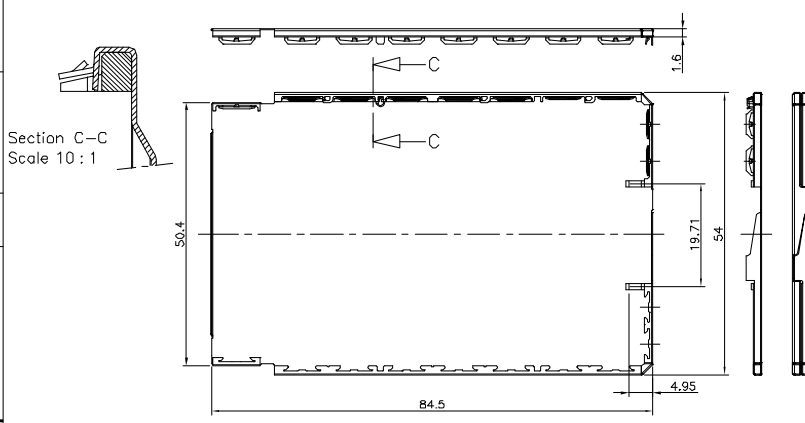
| | | | |
|----------------|-----------|----------------|------------------------|
| Product number | Insulator | Product number | Packaging |
| 83808-12000LF | no | 83808-xxxxLF | 1000 Rocard Shield/Box |
| 83808-12010LF | yes | 83808-xxxxLFS | 200 Rocard Shield/Box |



Version: Insulator
(thickness 0.07 mm)

| | | | | |
|-------------|--------------|--------------------------------------|---------------------|----------------|
| MatL code | surface | tolerance | projection | product family |
| litr | iso 1802 | iso 446 | 1st angle | PCMCIA |
| ecm no | date | tolerance unless otherwise specified | mm | scale 2:1 |
| A F80195 | 00A 98.04.08 | | | |
| B F90233 | 01E 99.08.04 | Linear | | |
| C F10914 | 01E 01.09.07 | | | |
| D F05-024 | 01E 05.09.26 | dr | H VEREUKEN 06.02.12 | |
| E F08-0136 | 01E 06.02.27 | enat | F HAUTER 99.05.04 | |
| F F08-0248 | 01E 06.07.28 | enr | D LEBRAND 99.05.04 | |
| sheet index | revision | sheet | type | |
| | | | CUSTOMER Drawing | |

| | | | |
|----------------|-----------|----------------|------------------------|
| Product number | Insulator | Product number | Packaging |
| 83808-1000LF | no | 83808-xxxxLF | 1000 Rocard Shield/Box |
| 83808-10010LF | yes | 83808-xxxxSLF | 200 Rocard Shield/Box |

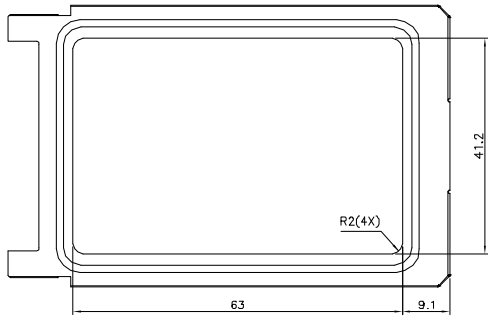
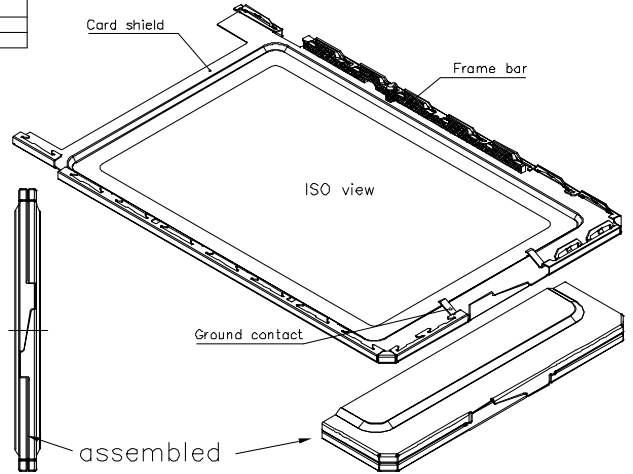
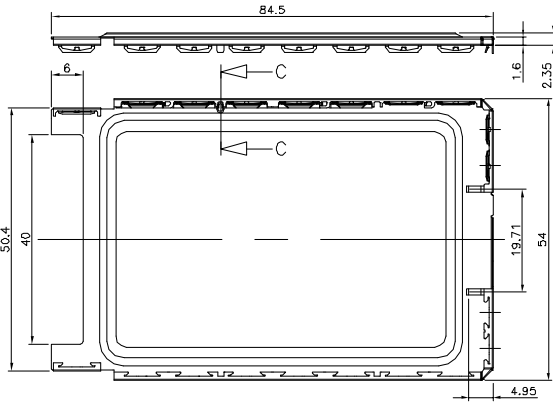
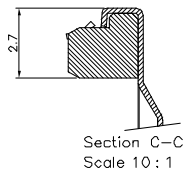


Version: Insulator
(thickness 0.07 mm)

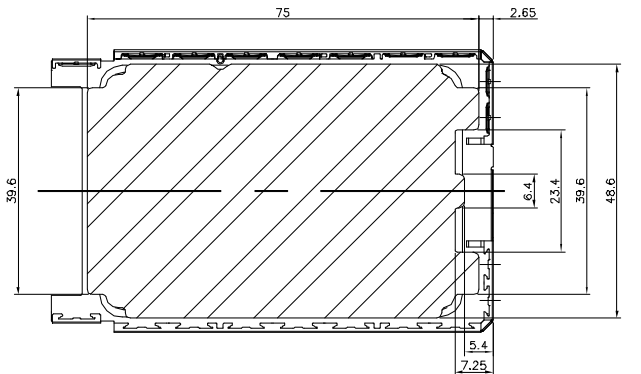
| MatL code | surface | tolerance | projection | product family | | | | | |
|-----------|----------|-----------|------------|----------------|----------------|----------|--------|--------|--------|
| ltr | ecm | no | dr | date | ISO 1802 | ISO 46 | ISO 10 | ISO 10 | ISO 10 |
| A | F80195 | OCA | 98.04.08 | | | | | | |
| B | F90233 | DLE | 99.08.04 | Linear | | | | | |
| C | F10914 | DLE | 01.09.07 | | | | | | |
| D | F05-024 | DLE | 06.09.26 | dr | H VEREUKEN | 06.02.12 | | | |
| E | F08-0136 | DLE | 06.02.27 | enat | F. HAUTER | 99.05.04 | | | |
| F | F08-0248 | DLE | 06.07.28 | enr | D. LESIRANO | 99.05.04 | | | |
| | | | | | RPPE F. HAUTER | 99.05.04 | | | |

title
ROCARD SHIELD
TYPE I, CLOSED END
dwg no 83808
sheet 9 of - size Az
type CUSTOMER Drawing

| | | | | |
|----------------|-----------|--------------|----------------|------------------------|
| Product number | Insulator | Label recess | Product number | Packaging |
| 83808-20001LF | no | no | 83808-xxxxLF | 1000 Rocard Shield/Box |
| 83808-20011LF | yes | no | 83808-xxxxSLF | 200 Rocard Shield/Box |
| 83808-20101LF | no | yes | | |
| 83808-20111LF | yes | yes | | |



Version: Label recess
(maximum label thickness 0.07 mm)



Version: Insulator
(thickness 0.07 mm)

| | | | | |
|-----------|----------|-----------|------------|----------------|
| MatL code | surface | tolerance | projection | product family |
| litr | ecm | no | dr | date |
| A | FR0655 | 04E | 88.10.25 | |
| B | FR0709 | 04E | 00.01.19 | |
| C | FR0814 | 04E | 01.09.07 | |
| D | F05-0254 | 04E | 05.09.26 | DR |
| E | F08-0136 | 04E | 06.02.27 | ENG |
| F | F08-0248 | 04E | 06.07.28 | EN |
| | | | | |
| sheet | revision | index | sheet | |
| | | | | |

| | |
|-------------------------|--------------------|
| title | product family |
| ROCARD SHIELD | PCMCIA |
| TYPE II, CLOSED, CARBUS | |
| dwg no | sheet 10 of - size |
| 83808 | Az |
| type | CUSTOMER Drawing |