

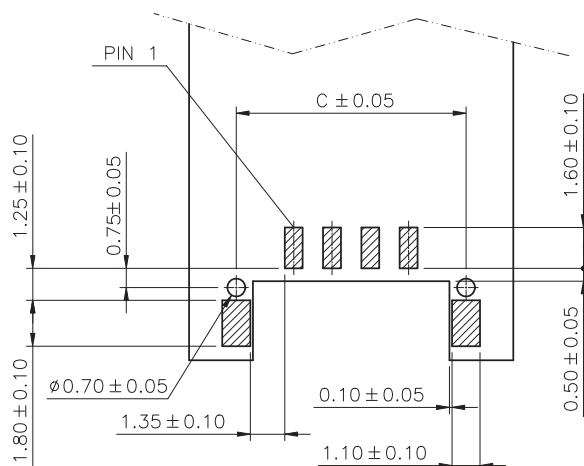
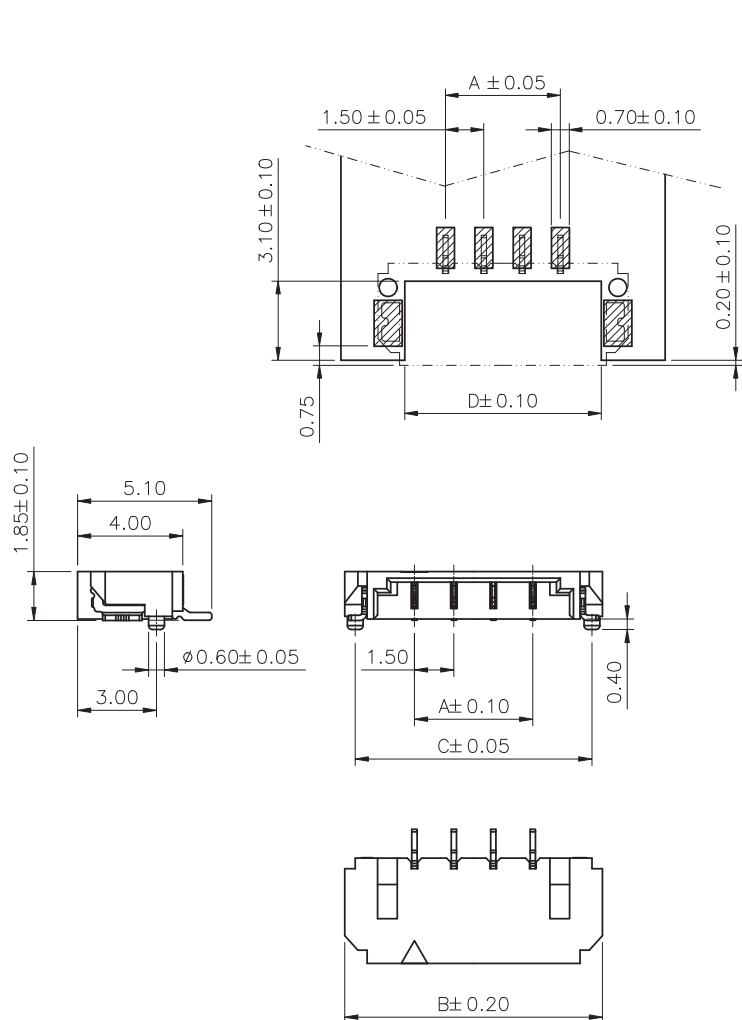
1

2

3

4

5



PCB LAYOUT - COMPONENT VIEW

TECHNICAL CHARACTERISTICS

MATERIAL
 INSULATOR: PA6T
 FLAMMABILITY RATING: UL94V0
 COLOR: WHITE
 CONTACT MATERIAL: PHOSPHOR BRONZE
 CONTACT PLATING: 3.05 µm MAT TIN OVER 1.27 µm Ni
 SOLDER TAB MATERIAL: BRASS
 SOLDER TAB PLATING: 3.05 µm MAT TIN OVER 1.27 µm Ni
 QUALITY CLASS: 10 MATING CYCLES

ENVIRONMENTAL
 OPERATING TEMPERATURE: -25°C UP TO +85°C
 COMPLIANCE: HALOGEN FREE AND ROHS

ELECTRICAL
 CURRENT RATING: 1A MAX
 WORKING VOLTAGE: 150 VAC
 WITHSTANDING VOLTAGE: 1300 VAC/MIN
 INSULATION RESISTANCE: > 1000 MΩ
 CONTACT RESISTANCE: 20 mΩ MAX

PITCH: 1,50 mm

SOLDERING
 JEDEC LEAD FREE REFLOW SOLDERING PROCESS

PACKAGING
 TAPE & REEL

DIMENSION
 A = 1.5 x (NB. PIN -1)
 B = A + 5.3
 C = A + 4.5
 D = A + 3.2

RoHS Compliant

PROJECTION:



GENERAL TOLERANCE

.X = ± 0.2 .XX = ± 0.15 

APPROVAL: GMo

UNIT: MM

DESCRIPTION: BtB 1.50MM PITCH PLUG HORIZONTAL

SIZE

SCALE:

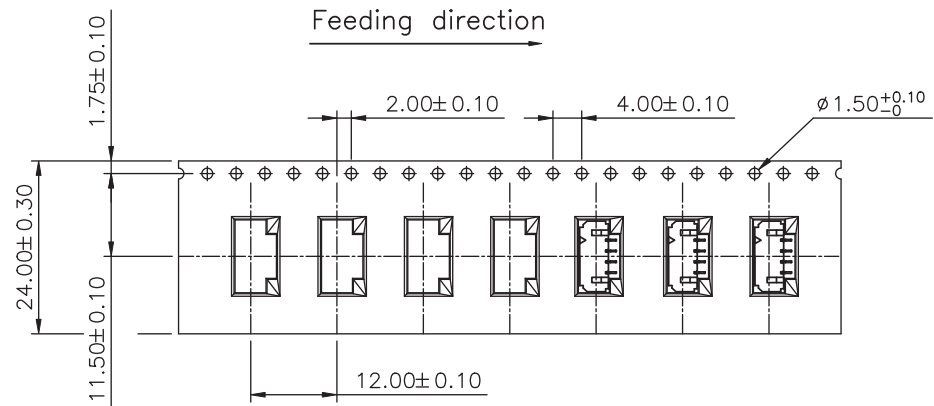
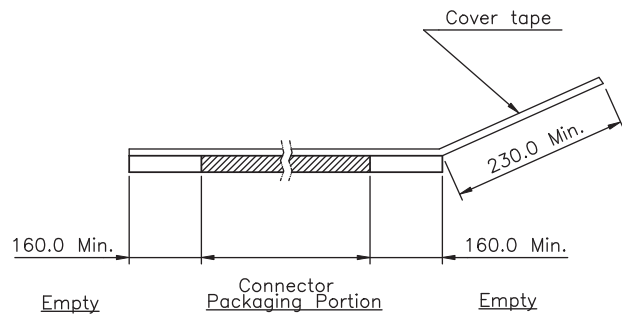
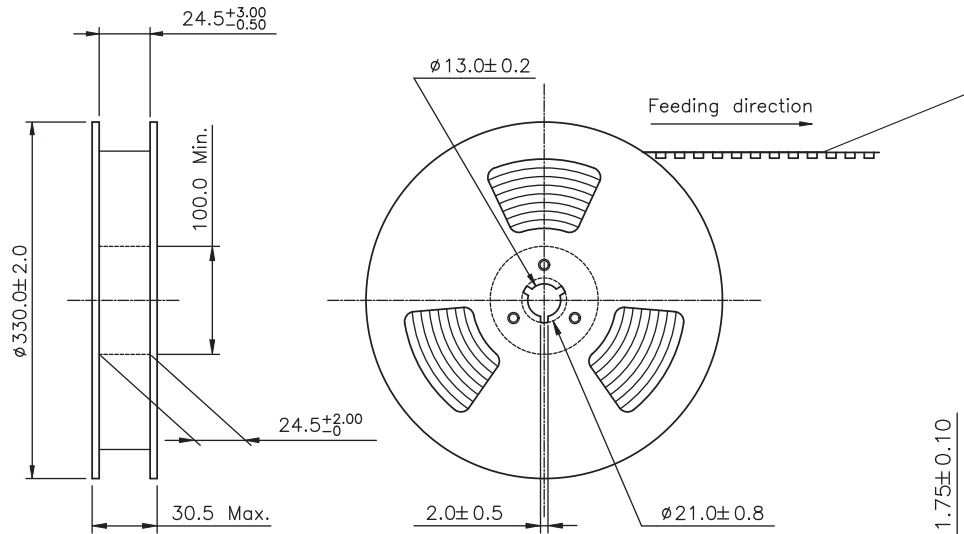
WERI PART NO: 695 4xx 150 122

A4

SHEET: 1/4

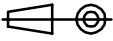

DRAW: AK

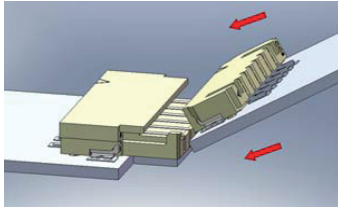
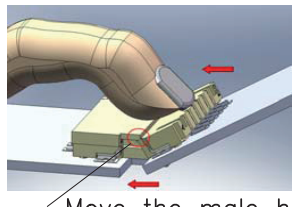
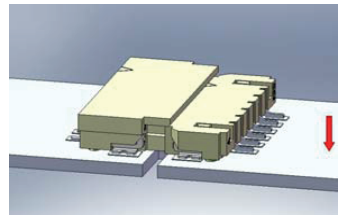
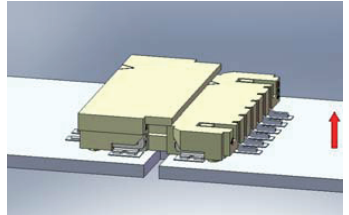
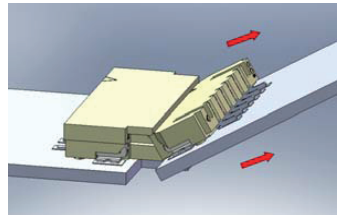
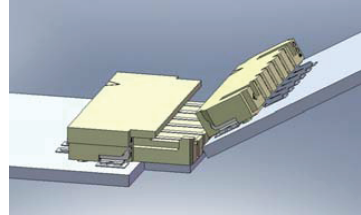
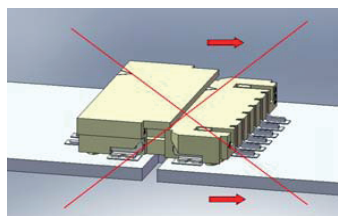
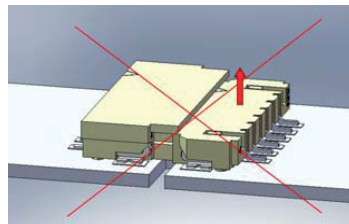
F			
E			
D			
C			
B	20-OCT-15	QUALITY CLASS	AK
A	16-JUN-15	PDF	AK
REV	DATE	FILE	BY





WIDTH : 24 mm Carrier

1800 pcs/reel
9 reels/carton
16200 pcs/carton

RoHS Compliant				PROJECTION: 	GENERAL TOLERANCE .X = +/- 0.2 .XX = +/- 0.15	
F						
E						
D						
C			APPROVAL: GMo	UNIT: MM	DESCRIPTION: BtB 1.50MM PITCH PLUG HORIZONTAL	SIZE A4
B				SCALE:		
A		PDF		SHEET: 2/4	WERI PART NO: 695 4xx 150 122	
REV	DATE	FILE	BY	DRAW: AK		

	1	2	3	4	5	
Mating	<p>Step 1: The male header should be tilted during insertion.</p>  <p>Female Male</p>	<p>Step 2: Push the male header to the end. Make sure the male header is under the rib of female header by finger.</p>  <p>Female Male</p> <p>Move the male header under the rib of female header.</p>	<p>Step 3: Press down the male header down vertically to finish the connection.</p>  <p>Female Male</p>	A		
	<p>Step 1: Lift the male header up at 30°~60°.</p>  <p>Female Male</p>	<p>Step 2: Remove male header at an angle to finish the disconnection.</p>  <p>Female Male</p>	<p>Step 3: Finish</p>  <p>Female Male</p>		B	
	<p>Please do not separate the connectors horizontally to prevent damaging them.</p>  <p>Female Male</p>	<p>Please do not separate the connectors vertically to prevent damaging them.</p>  <p>Female Male</p>	C			

RoHS Compliant				PROJECTION: 	GENERAL TOLERANCE .X = ± 0.2 .XX = ± 0.15		DESCRIPTION: BtB 1.50MM PITCH PLUG HORIZONTAL	SIZE A4			
F									APPROVAL: GMo	UNIT: MM	WERI PART NO: 695 4xx 150 122
E										SCALE:	
D										SHEET: 3/4	
C										DRAW: AK	
B											
A		PDF									
REV	DATE	FILE	BY								

1

2

3

4

5

Cautions and Warnings:

This electronic component is designed and developed with the intention for use in general electronics equipments.

Before incorporating the components into any equipments in the field such as aerospace, aviation, nuclear control, submarine, transportation, (automotive control, train control, ship control), transportation signal, disaster prevention, medical, public information network etc. where higher safety and reliability are especially required or if there is possibility of direct damage or injury to human body, Würth Elektronik must be asked for a written approval.

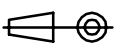

In addition, even electronic component in general electronic equipments, when used in electrical circuits that require high safety, reliability functions or performance, the sufficient reliability evaluation-check for the safety must be performed before by the user before usage.

A

B

C

RoHS Compliant

G				PROJECTION: 	GENERAL TOLERANCE .X = +/- 0.2 .XX = +/- 0.15		
F							
E							
D							
C				APPROVAL: JC	UNIT: MM	DESCRIPTION: DISCLAIMER	SIZE A4
B					SCALE:		
A	10-SEP-14	PDF	QL		SHEET: 4/4	WERI PART NO: DISCLAIMER	
REV	DATE	FILE	BY		DRAW: QL		

D