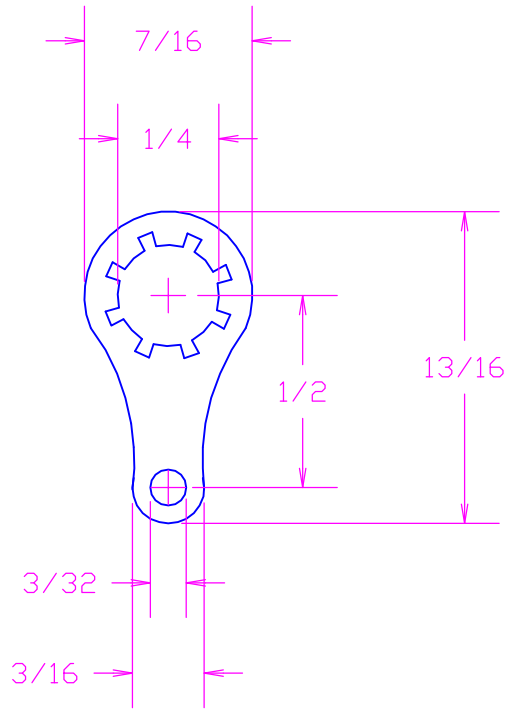
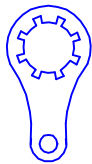


DATE	SYM	REVISION RECORD	AUTH.	DR.	CK.
10/25/95	-	ISSUED		NT	MH
12/14/99	-	UPDATE		NT	LT



MATERIAL: BRASS  
 FINISH: ELECTRO-TIN

ACTUAL SIZE



TOLERANCES (EXCEPT AS NOTED)	CONCORD ELECTRONICS CORPORATION		
DECIMAL ± .005	P/N	SCALE	30 GREAT JONES ST. NEW YORK N.Y. 10012
FRACTIONAL ± 1/64	TITLE LOCKWASHER TERMINAL		
ANGULAR ±	DATE 10-25-95	DRAWING NUMBER 707-1014	