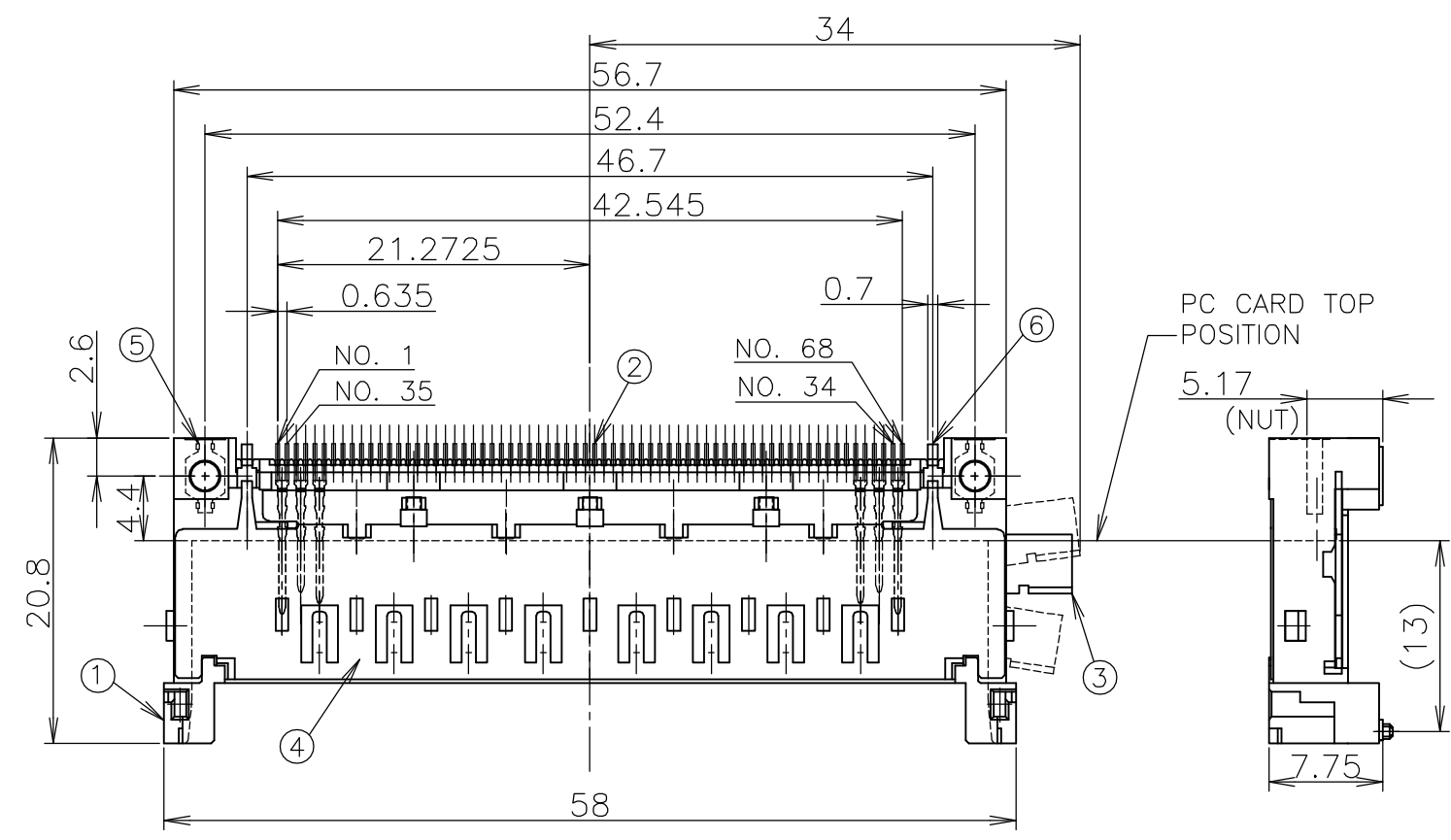


THIS DRAWING IS UNPUBLISHED. RELEASED FOR PUBLICATION AUG. 2005.
 © COPYRIGHT 2005 BY TYCO ELECTRONICS CORPORATION. ALL RIGHTS RESERVED.

LOC	DIST	REVISIONS					
		P	LTR	DESCRIPTION	DATE	DWN	APVD
J			A	RELEASED	29SEP05	T.T	Y.Y

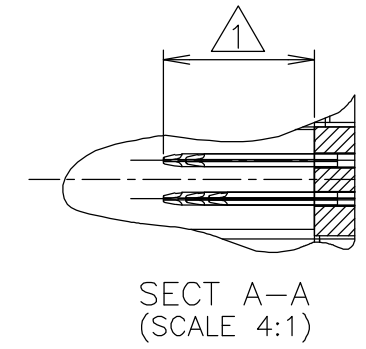
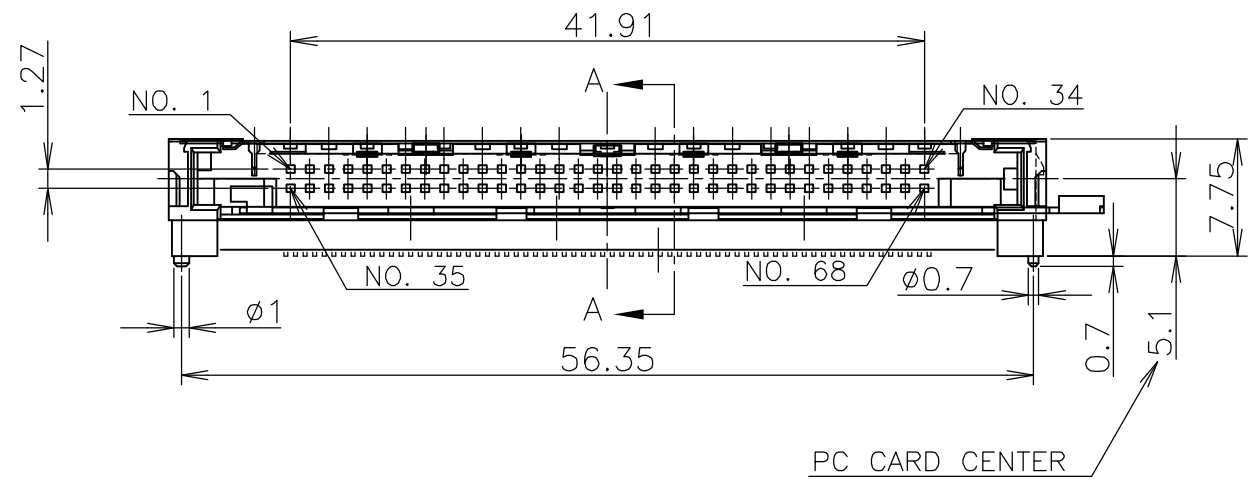


- ① ポストの長さは、表1を参照のこと。
- ② 本製品は必ず、弊社のイジェクタとセットで使用のこと。
- ③ ネジ締めは、リフローはんだ付けの後に行うこと。
- ④ 推奨ネジ締めトルク：0.15~0.2Nm(1.5~2KgfcM)
- ⑤ 適応PCカード：PCMCIA準拠のPCカード
- ⑥ 一般公差：±0.5，±3°
- ⑦ 取り付け適合イジェクター（型番）：1565777-1

- ① POST LENGTH ARE SHOWN TABLE 1.
- ② SHALL BE USE ALTOGETHER THE HEADER AND AMP'S EJECTOR.
- ③ TIGHTEN A SCREW AFTER REFLOW SOLDERING.
- ④ RECOMMENDED TIGHTENING TORQUE: 0.15~0.2Nm(1.5~2KgfcM)
- ⑤ APPLIED CARD: PCMCIA ATTRIBUTE PC CARD.
- ⑥ GENERAL TOLERANCE: ±0.5, ±3°
- ⑦ EJECTOR TO BE SET(PARTS No.) : 1565777-1

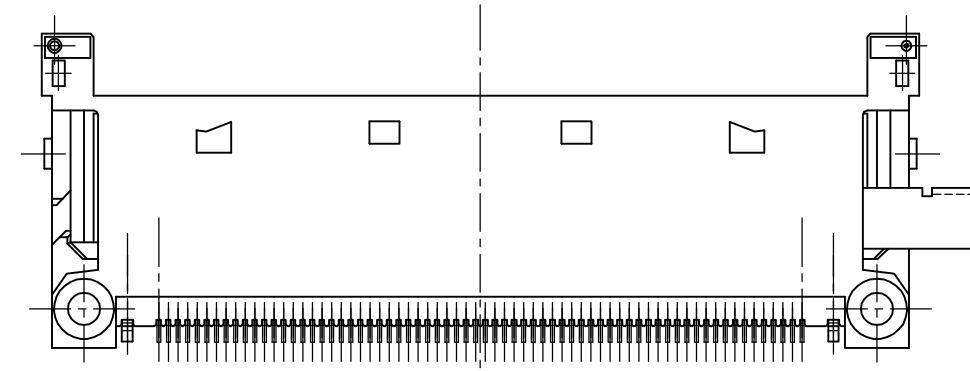
POST LENGTH	5	3.5	4.25
回路番号 CIRCUIT NO.	1,17,34,35,51,68	36,67	その他 OTHERS

① TABLE 1
表 1



6565776-1 : AS SHOWN

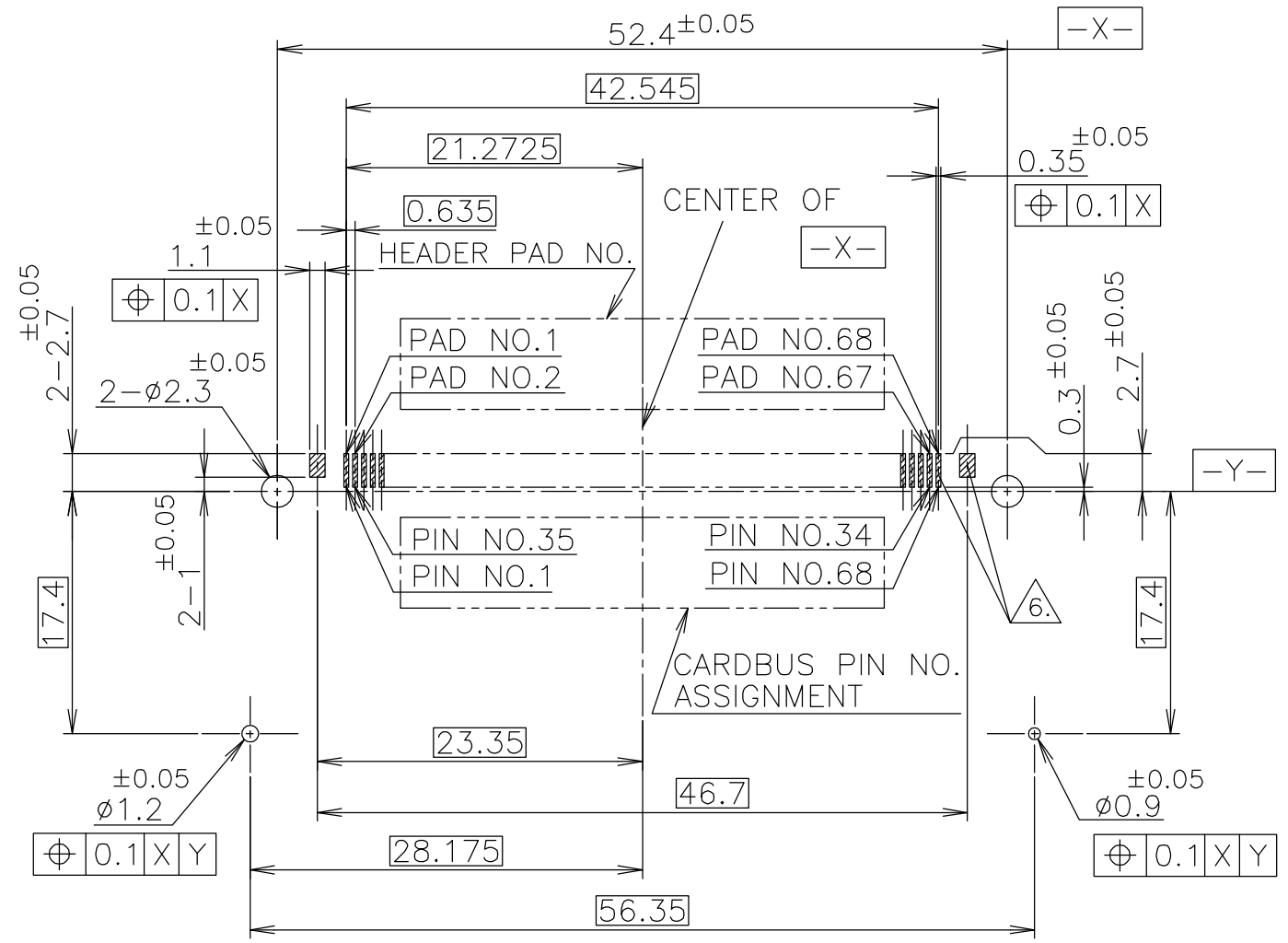
2	GROUND CONTACT	⑥
2	NUT(M2)	⑤
1	GROUND PLATE	④
1	ARM BAR	③
68	CONTACT	②
1	HOUSING	①
QTY	NAME	ITEM



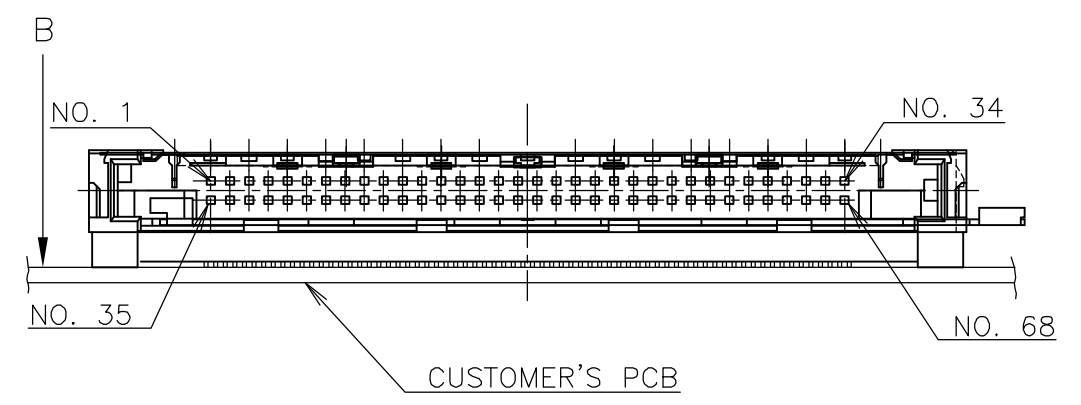
THIS DRAWING IS A CONTROLLED DOCUMENT.		DWN T.TSUZAKI 29SEP05	Tyco Electronics AMP K.K. Kawasaki, Japan				
DIMENSIONS: 単位：mm		CHK T.FUTATSUGI 29SEP05					
TOLERANCES UNLESS OTHERWISE SPECIFIED: 一般公差		APVD Y.YAMAMOTO 29SEP05	NAME 名称 SINGLE SLOT CARDBUS HEADER ASSY TOP MOUNT TYPE , RIGHT BUTTON WITH NUT				
0 PLC ± 1 PLC ± 2 PLC ± 3 PLC ± 4 PLC ± ANGLES ±		PRODUCT SPEC 製品規格 108-78193	SIZE A3	CAGE CODE 00779	DRAWING NO 番号 C-6565776	RESTRICTED TO	
MATERIAL 材料		APPLICATION SPEC 取付適用規格 411-5942	WEIGHT 5.4g	SCALE 尺度 2:1		SHEET 1 OF 2	REV A
CUSTOMER DRAWING							

THIS DRAWING IS UNPUBLISHED. RELEASED FOR PUBLICATION AUG ,2005.
 © COPYRIGHT 2005 BY TYCO ELECTRONICS CORPORATION. ALL RIGHTS RESERVED.

LOC	DIST	REVISIONS 変更					
J		P	LTR	DESCRIPTION	DATE	DWN	APVD
		-	-	SEE SHEET 1	-	-	-



APPLICABLE P.C.BOARD LAYOUT
 VIEW B
 (HEADER CONNECTOR MOUNTING LAYOUT DETAIL)



HEADER PAD NO.	1	2	3	4	5	6	7	8	9	10	11	12	13	14	15	16	17	18	19	20	21	22	23	24	25	26	27	28	29	30	31	32	33	34	35	36	37	38	39	40	41	42	43	44	45	46	47	48	49	50	51	52	53	54	55	56	57	58	59	60	61	62	63	64	65	66	67	68
CARDBUS PIN NO. ASSIGNMENT	1	35	2	36	3	37	4	38	5	39	6	40	7	41	8	42	9	43	10	44	11	45	12	46	13	47	14	48	15	49	16	50	17	51	18	52	19	53	20	54	21	55	22	56	23	57	24	58	25	59	26	60	27	61	28	62	29	63	30	64	31	65	32	66	33	67	34	68

THIS DRAWING IS A CONTROLLED DOCUMENT.		DWN	Tyco Electronics AMP K.K. Kawasaki, Japan	
DIMENSIONS: 単位: 耗 mm		CHK		
TOLERANCES UNLESS OTHERWISE SPECIFIED: 一般公差		APVD	NAME 名称	
0 PLC ± 1 PLC ± 2 PLC ± 3 PLC ± 4 PLC ± ANGLES ±		PRODUCT SPEC 製品規格	SINGLE SLOT CARDBUS HEADER ASSY TOP MOUNT TYPE , RIGHT BUTTON WITH NUT	
MATERIAL 材料		FINISH 仕上	APPLICATION SPEC 取付適用規格	RESTRICTED TO
		WEIGHT	SIZE A3	CAGE CODE 00779
			DRAWING NO. 番号 C-6565776	
			CUSTOMER DRAWING	SCALE 尺度 2:1
				SHEET 2 OF 2
				REV A