

PRODUCT NUMBER  
6170XX2C185515LF

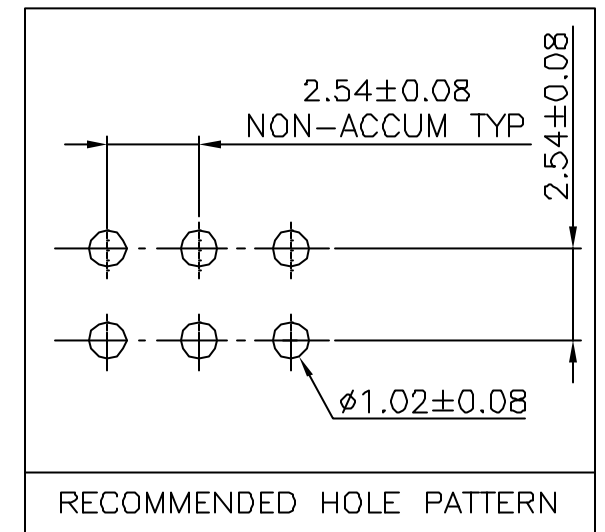
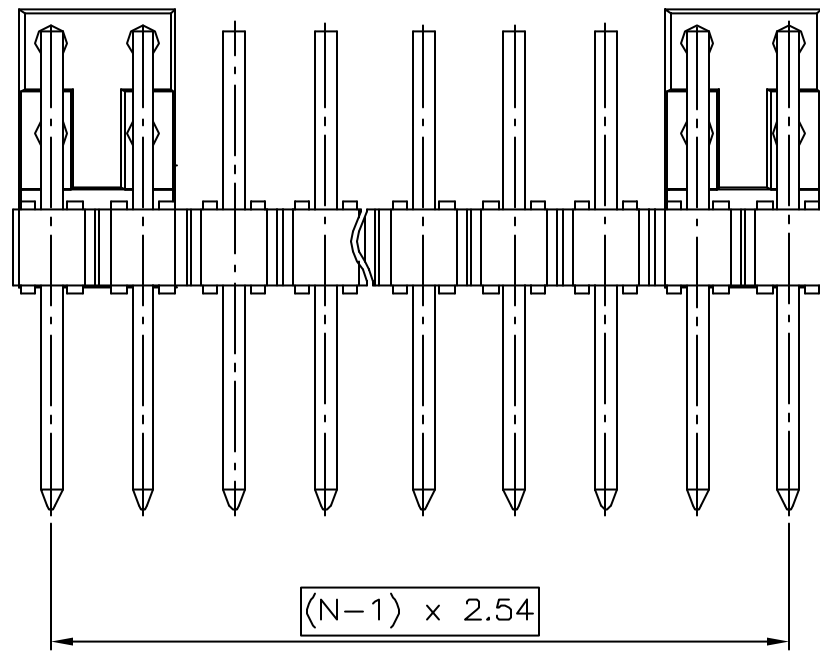
WHEN REQUIRED, ADD SUFFIX LETTER "LF"  
INDICATES THE PRODUCT IS ROHS  
COMPATIBLE, SEE NOTE 4

PLATING :

8 = 0.76µm GOLD ON CONTACT AREA  
3.81µm TIN-LEAD ON TAIL  
OVER 1.27µm MIN NICKEL IS

- WHEN "LF" IS REQUIRED, 2µm MATTE  
TIN OVER 1.27µm MIN NICKEL IS  
PROVIDED INSTEAD OF TIN-LEAD

NUMBER OF POS PER ROW  
02 TO 26 POS



NOTES:

1. HOUSING MAT'L : HIGH TEMPERATURE THERMOPLASTIC. UL94V-0 COLOR: BLACK
2. PIN MATERIAL : PHOSPHOR BRONZE
3. PRODUCT PACKAGED IN BLIBOX.
4. 9N MIN RETENTION IN EITHER DIRECTION
5. TO DETERMINE DIMENSIONS :  
N = NUMBER OF POSITIONS PER ROW
6. ROHS COMPATIBLE PRODUCT SPECIFICATIONS

a - PLATING:

- "LF" MEANS THE PRODUCT IS LEAD-FREE,  
2µm MINIMUM MATTE TIN OVER 1.27µm  
MINIMUM NICKEL UNDERPLATE.

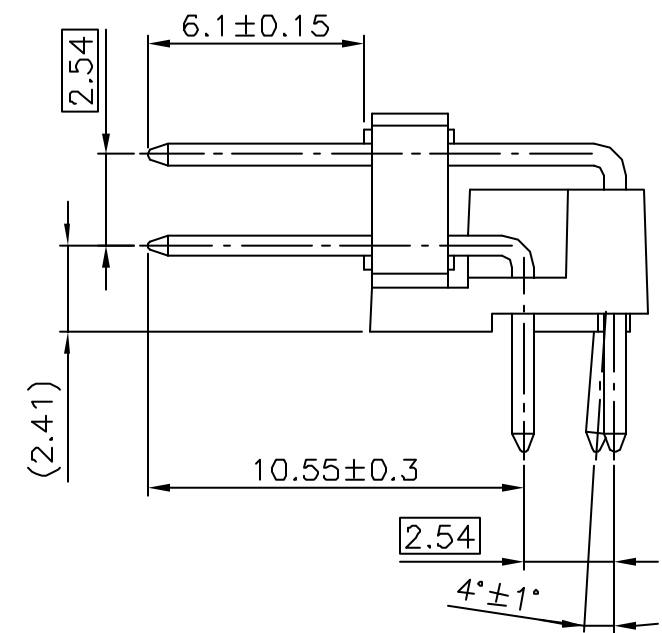
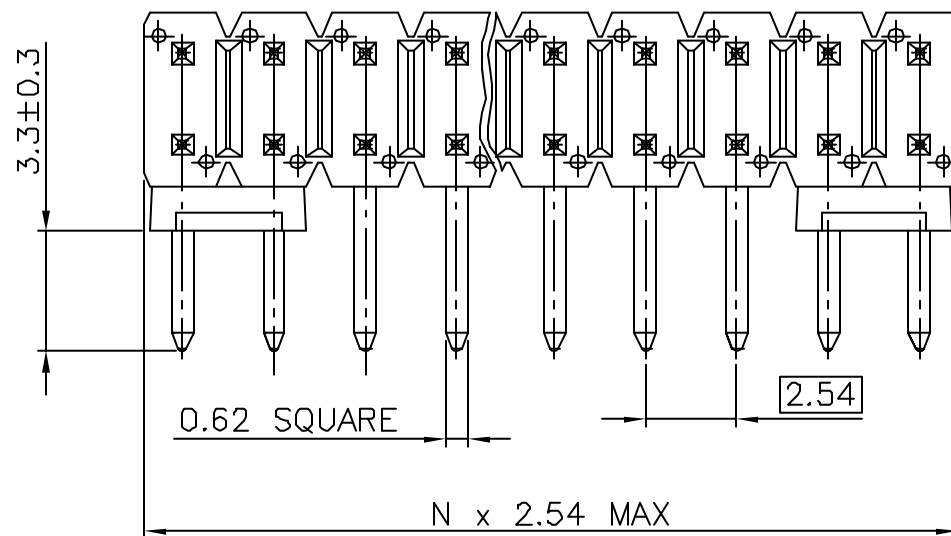
b - MANUFACTURING PROCESS COMPATIBILITY

- THE HOUSING WILL WITHSTAND EXPOSURE TO  
260°C ±5°C SOLDER BATH TEMPERATURE FOR  
5 SECONDS IN A WAVE SOLDER APPLICATION  
WITH A 1.6mm MIN THICK CIRCUIT BOARD.

c - LABELING:

- MEETS PACKAGING SPECS AS PER GS-14-920

d - LEGAL STATEMENT: SEE GS-22-008

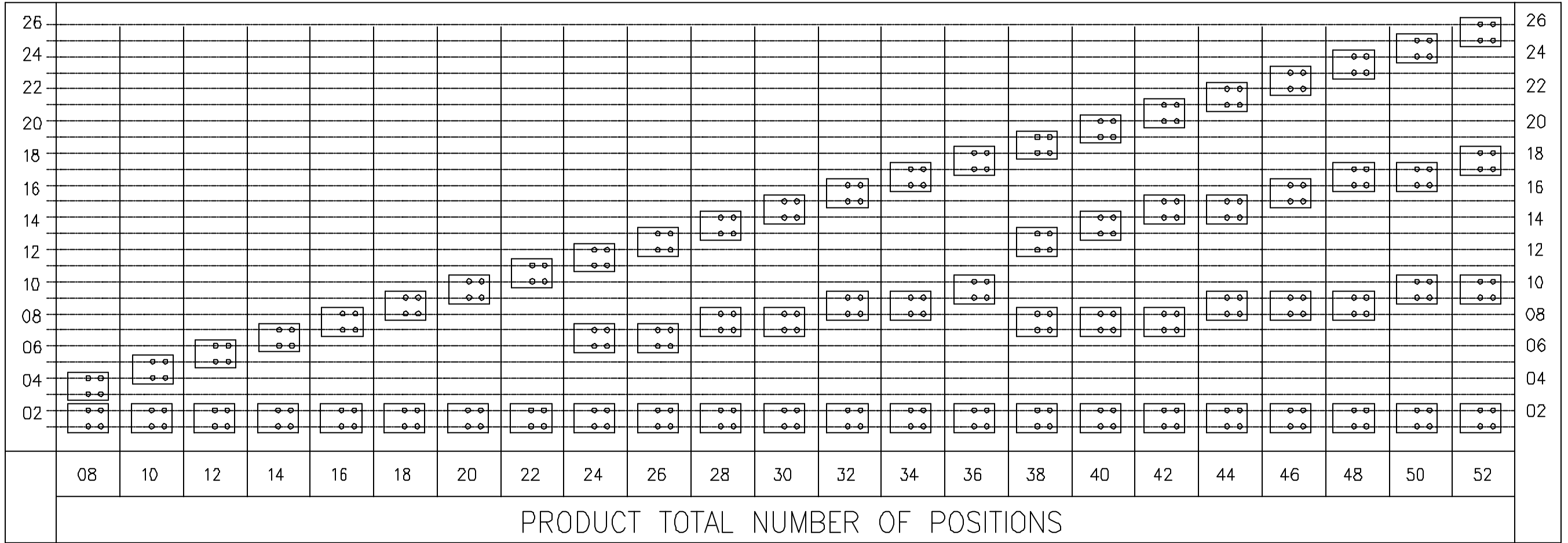


mat'l. code				surface ISO 1302 ✓		tolerance ISO 406 ISO 1101		projection mm		product family BSTIK	
ltr ecn no dr date				tolerances unless otherwise specified						title HEADER DR RA SPECIAL SPACER STYLE	
B	F10522	LMU	01.09.17	angles		Linear		scale 1:5		dwg no 55394	
C	F05-040	LMU	05.11.24							sheet 1 of 2	
D	F06-0207	LMU	06.07.27							size A3	
				dr		L.MULIN 05.11.24				type CUSTOMER Drawing	
				engr		J.COMPAGNON 05.11.24					
				chr							
				appd		JMC 05.11.24					
sheet index		revision sheet		D D							
		1 2									



Copyright FCI

# SPACER LOCATION PER PRODUCT SIZE



Copyright FCJ

mat'l. code				surface ISO 1302 ✓		tolerance ISO 406 ISO 1101		projection mm		product family BSTIK			
ltr				ecn no		dr		date		tolerances unless otherwise specified		title HEADER DR RA SPECIAL SPACER STYLE	
B				F10522		LMU		01.09.17		angles		Linear	
C				F05-0401		LMU		05.11.24		Linear		scale 1:5	
D				F06-0207		LMU		06.07.27		Linear		FCJ	
sheet index				revision sheet		dr		L.MULIN 05.11.24		engr		J.COMPAGNON 05.11.24	
						chr				appd		JMC 05.11.24	
sheet index				revision sheet								dwg no 55394	
												sheet 2 of A3	
												type CUSTOMER Drawing	

# Mouser Electronics

Authorized Distributor

Click to View Pricing, Inventory, Delivery & Lifecycle Information:

[FCI / Amphenol:](#)

[6170052C185515LF](#) [6170082C185515LF](#) [6170112C185515LF](#) [6170152C185515LF](#) [6170172C185515LF](#)  
[6170212C185515LF](#) [6170132C185515](#) [6170152C185515](#) [6170172C185515](#) [6170202C185515](#)