

IEC Appliance Inlet C14 or C18 with Circuit Breaker TA45



**Description**

- Panel Mount:  
Screw-on mounting from front side
- 2 Functions:  
Appliance Inlet protection class I or II, circuit breaker type TA45 2-pole
- Quick connect terminals 6.3 x 0.8 mm

**Approvals**

- VDE Certificate Number: 40040061
- UL File Number: E96454

**Characteristics**

- All single elements are already wired  
Unwired versions available on request
- Circuit Breaker non-illuminated or illuminated  
Thermal overload protection  
Optional with undervoltage- or remote trip release
- Suitable for use in equipment according to IEC/UL 60950

**References**

Alternative: version with line filter [5145](#)  
We recommend for new applications the new type [DF11](#)

**Weblinks**

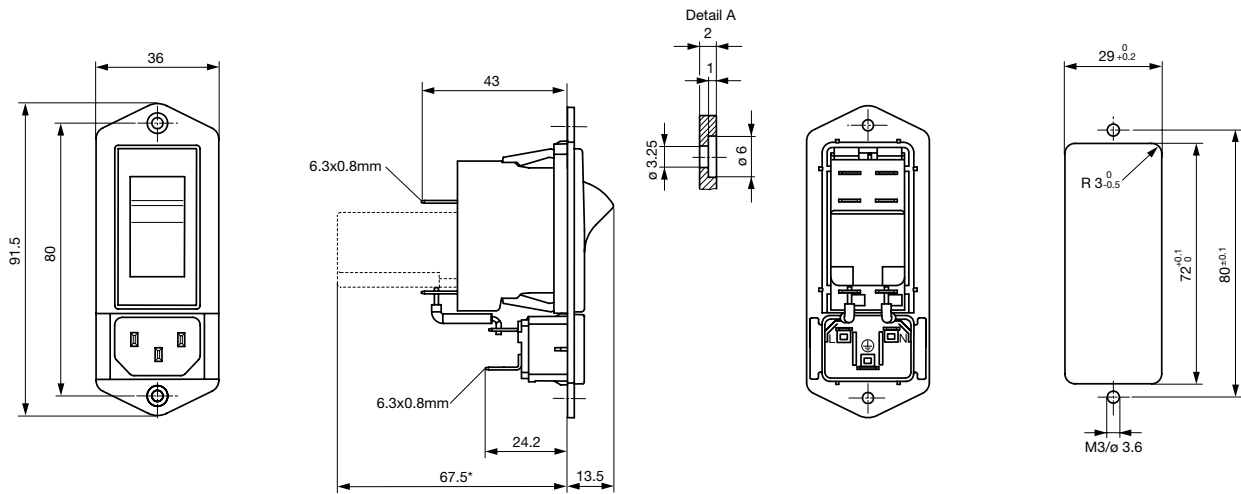
[pdf-datasheet](#), [html-datasheet](#), [General Product Information](#), [Approvals](#), [CE declaration of conformity](#), [RoHS](#), [CHINA-RoHS](#), [REACH](#), [Mating Connectors](#), [e-Shop](#), [SCHURTER-Stock-Check](#), [Distributor-Stock-Check](#), [CAD-Drawings](#), [Accessories](#), [Detailed request for product](#)

Newly available variants corresponding to V-Lock mating cordset. The connector is equipped with a notch intended for use with the latching cordset. The cord latching system prevents against accidental removal of the cordset.

**Technical Data**

Ratings IEC	10A / 250VAC; 50Hz	Appliance Inlet	C14 acc. to IEC 60320, UL 498, CSA C22.2 no. 42 (for cold conditions) pin-temperature 70 °C, 10A, Protection Class I or II
Ratings UL/CSA	15A / 250VAC; 60Hz	Circuit Breakers	Acc. IEC/EN 60934, UL 1077, CSA 22.2 no. 235 2-pole rocker switch, illuminated or non-illuminated. Optional with undervoltage- or remote trip release
Dielectric Strength	> 1.5kVAC between L/N-PE (1 min/50Hz)	Short circuit capacity Icn:	at In < 3A/240VAC : 10 x In at In ≥ 3A/240VAC : 300A
Allowable Operation Temp.	-10 °C to 55 °C		
Degree of Protection	from front side IP 40 acc. to IEC 60529		
Protection Class	Suitable for appliances with protection class I or II acc. to IEC 61140		
Terminal	Quick connect terminals 6.3 x 0.8 mm		
Panel Thickness s	Screw: max 6 mm Mounting screw torque max 0.5Nm		
Material: Housing	Thermoplastic, black, UL 94V-0		

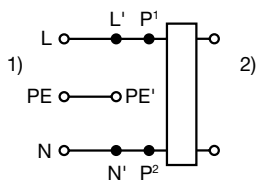
## Dimensions



\*) max. switching stroke

## Diagrams

Diagram



- 1) Line  
2) Load

**Table 1 Selection for type TA45**

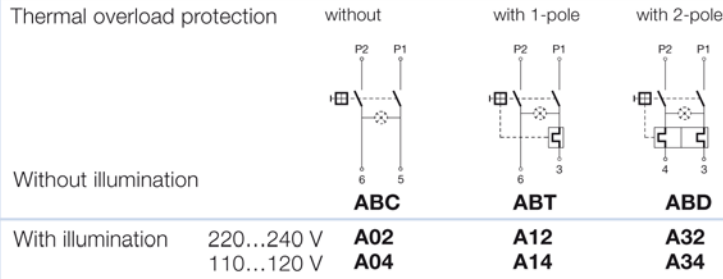
Order example



- Line switch
  - 2-pole, rocker actuated
  - Quick connect terminal
- Other types on request

ABT W F 150 C0

**Diagram**



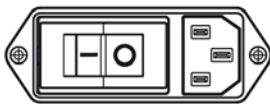
**Colours**

Switch front	Rocker	
<b>W</b> black	white	—
<b>B</b> black	black	—
<b>6</b> black	—	orange transp.

**Rocker legend**

Surface	Illustration	Colour of print	Surface	Illustration	Colour of print
<b>F</b> embossed / Relief	— ○		<b>M</b> printed	— ○	black
<b>H</b> printed / bedruckt	ON OFF	white / weiss	<b>P</b> printed	I ○	white
<b>K</b> printed / bedruckt	ON OFF	black / schwarz	<b>R</b> printed	I ○	black
<b>L</b> printed / bedruckt	— ○	white / weiss			

Position of the rocker legend  
e.g F



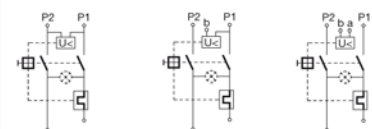
**Rated current:**

- Without thermal overload protection: code C00 }  $I_n = 20\text{ A}$
- With thermal overload protection: rated current  $I_n$  (A)

$I_n$	Code	$I_n$	Code	$I_n$	Code	$I_n$	Code
0,1	J01	1,3	J13	2,8	J28	10,0	100
0,2	J02	1,4	J14	3,0	030	11,0	110
0,3	J03	1,5	J15	3,5	035	12,0	120
0,4	J04	1,6	J16	4,0	040	13,0	130
0,5	J05	1,7	J17	4,5	045	14,0	140
0,6	J06	1,8	J18	5,0	050	15,0	150
0,7	J07	1,9	J19	6,0	060		
0,8	J08	2,0	J20	6,5	065		
0,9	J09	2,1	J21	7,0	070		
1,0	J10	2,2	J22	7,5	075		
1,1	J11	2,3	J23	8,0	080		
1,2	J12	2,5	J25	9,0	090		

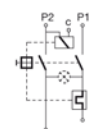
**Without release: code C0**

**Undervoltage release**



U	E	Z
•	•	•
•	•	•
•	•	•

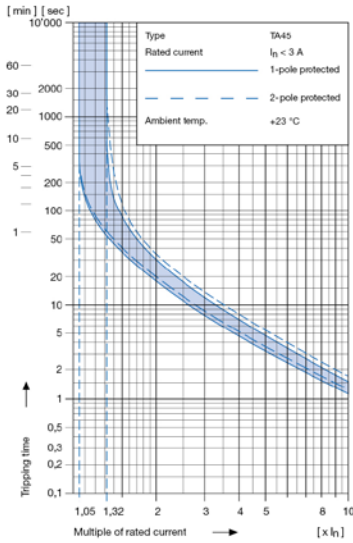
**Remote trip release**



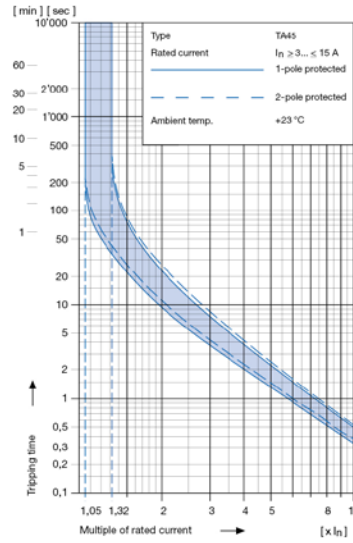
A	Code	Rated voltage $U_n$
•	2	240 V AC
•	3	230 V AC
•	4	120 V AC

**Technical data (continued)**  
**Circuit breaker**

Tripping characteristics  
 $I_n < 3 A$



Tripping characteristics  
 $I_n \ge 3... \le 15 A$



**Effect of ambient temperature 1)**

The unit is calibrated for an ambient temperature of +23 °C. To determine the rated current for a lower or higher ambient temperature, use a correction factor from the table below.

**\* Ambient temperature [°C] Correction factor**

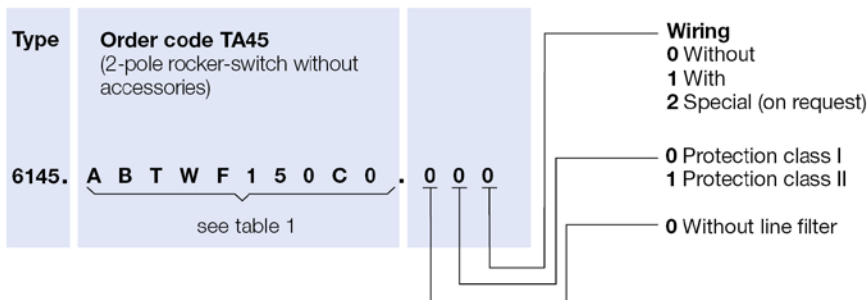
-10	0,89
- 5	0,91
0	0,92
+23	1,00
+30	1,03
+40	1,08
+55	1,16

\* Temperature must be measured at the rear of the breaker next to the terminals after equipment operating temperature has been reached.

**1) Example**

Rated current at +23 °C	6,0 A
Ambient temperature	+40 °C
Correction factor	1,08
Chosen rated current at + 40 °C ambient temperature	<b>6 A x 1,08 = 6,5 A</b>

**Order code (Order example)**

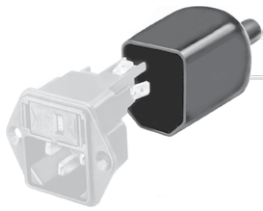


Please note that Schurter will establish an internal part number for logistical use in addition to the order code. The format of this internal part number is, for example 6145.0031.001

Packaging unit 20 Pcs

Accessories

Description



Assorted Covers  
Rear Cover

Mating Outlets/Connectors

Category / Description



Appliance Outlet Overview complete

IEC Appliance Outlet F, Screw-on Mounting, Front Side, Solder Terminal	4787
IEC Appliance Outlet F, Snap-in Mounting, Front Side, Solder or Quick-connect Terminal	4788
IEC Appliance Outlet F or H, Screw-on Mounting, Front Side, Solder, PCB or Quick-connect Terminal	5091

Appliance Outlet further types to 6145

Connector Overview complete



IEC Connector C15A, Rewireable, Straight	0102
IEC Connector C15A, Rewireable, Straight	0102-G
IEC Connector C15A, Rewireable, Angled	0112
IEC Connector C13, Rewireable, Angled	4012
IEC Connector C13, Rewireable, Straight	4022

Connector further types to 6145

Mating Outlets/Connectors shuttered



Power Cord Overview complete

Overview Power Supply Cord with IEC Connector C13, V-Lock, straight	VAC13KS
---	---------

Power Cord further types to 6145