

1

2

3

4

A

A

B

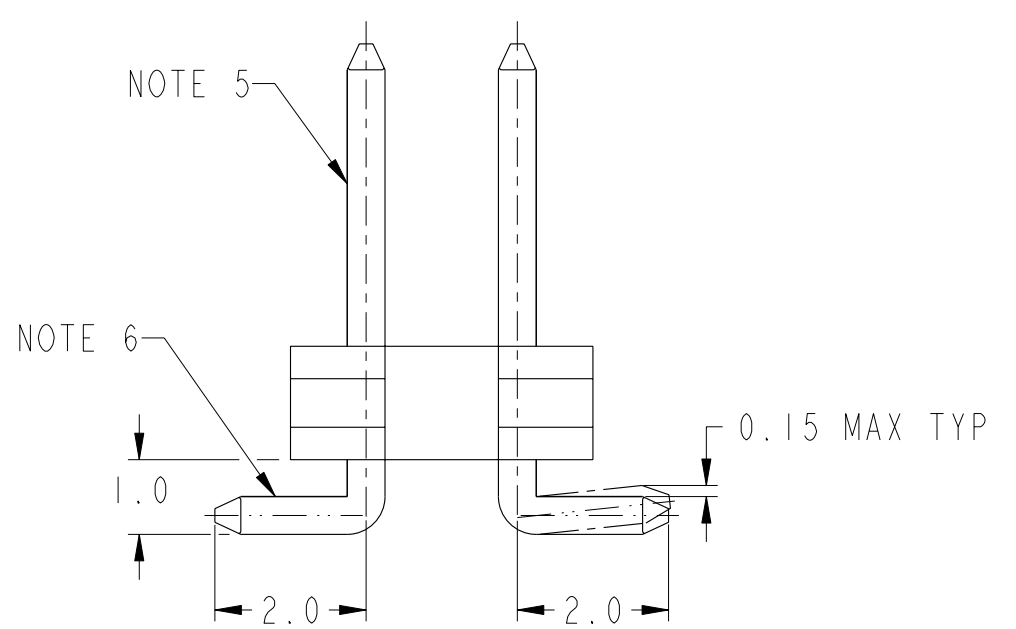
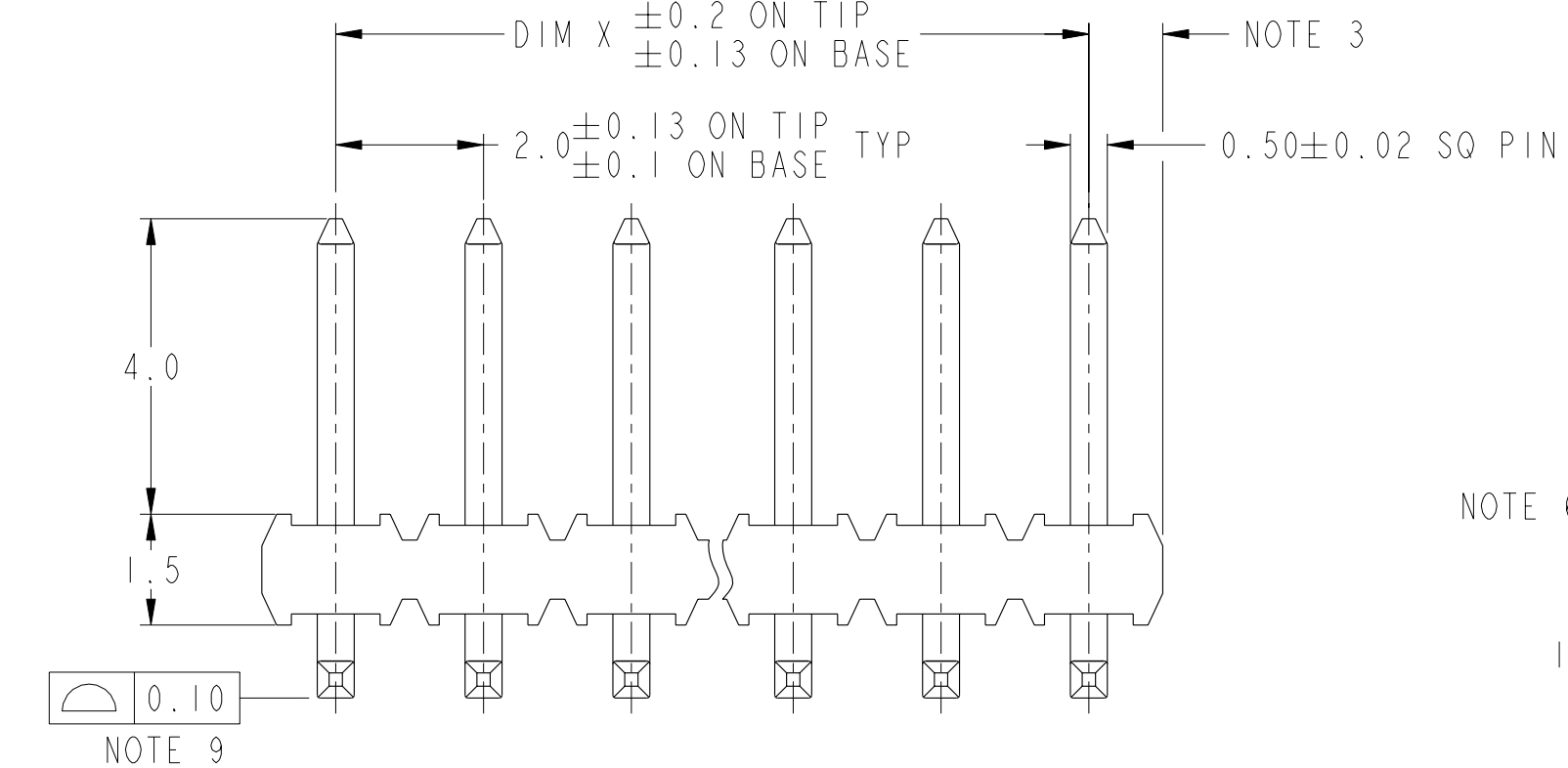
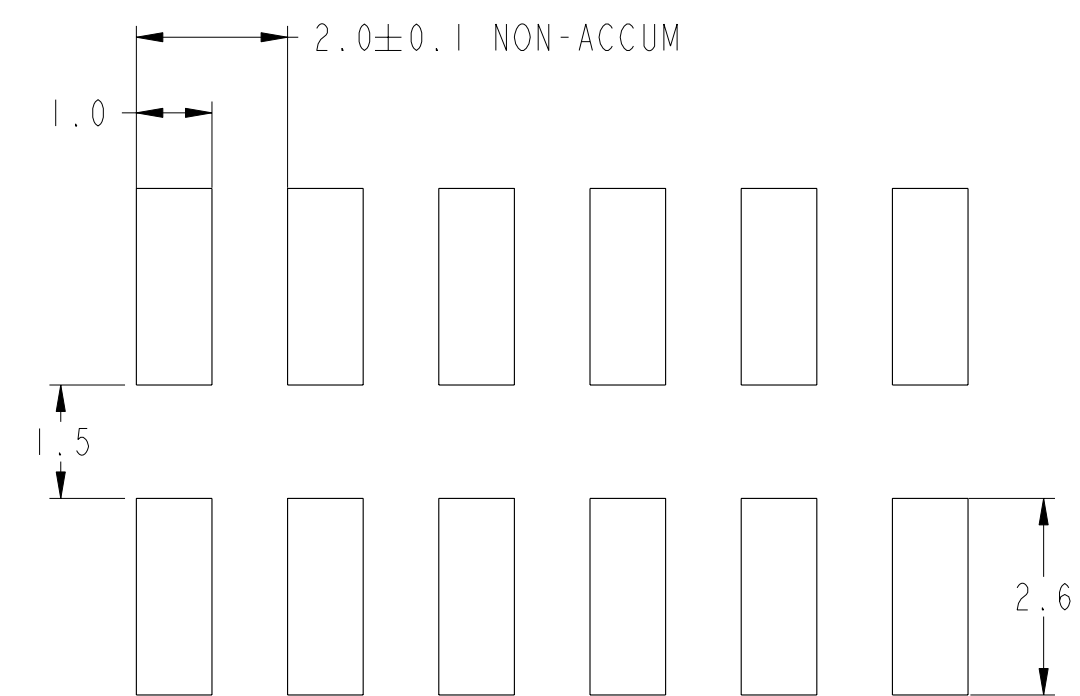
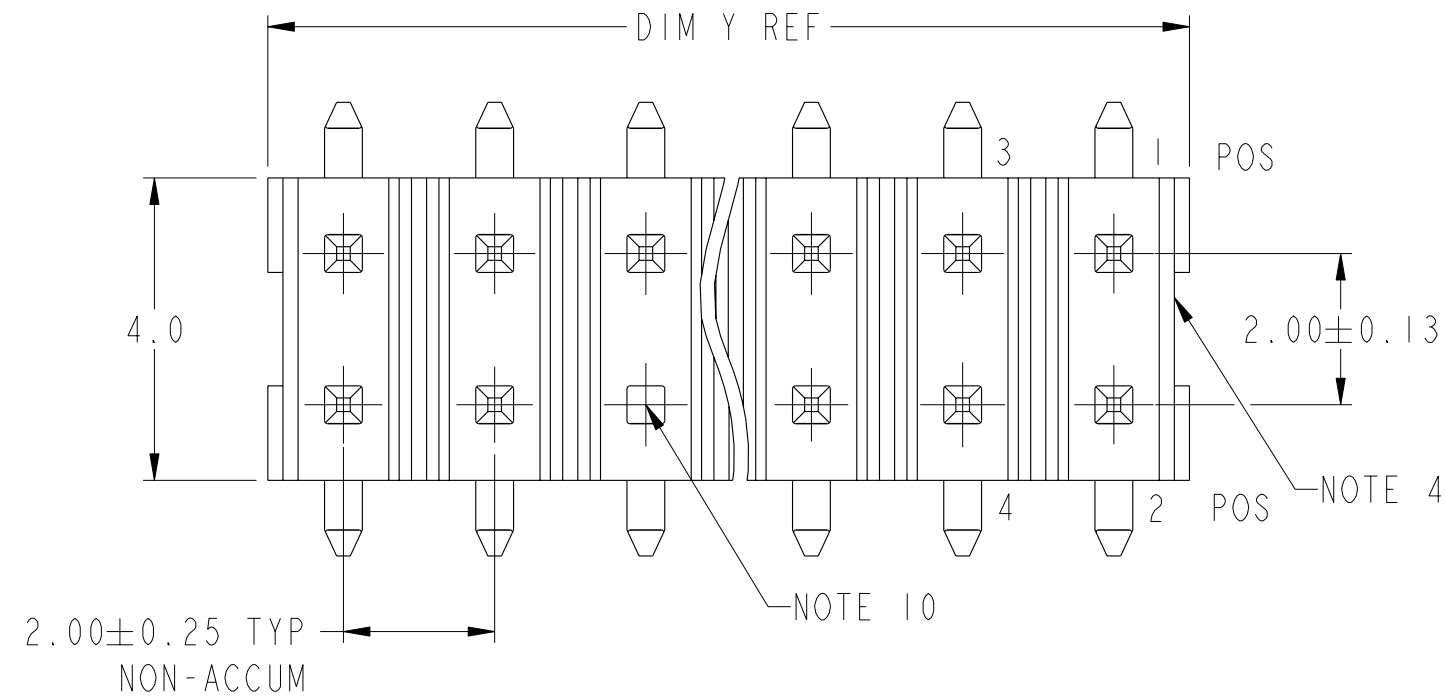
B

C

C

D

D



**CONFIDENTIAL**

|                                       |         |                         |                                   |                    |
|---------------------------------------|---------|-------------------------|-----------------------------------|--------------------|
| www.fciconnect.com                    |         | surface - ✓<br>ISO 1302 | tolerance std<br>ISO 406 ISO 1101 | projection<br>MM   |
| TOLERANCES UNLESS OTHERWISE SPECIFIED |         |                         |                                   |                    |
| Dr                                    | JPEH    | 2002/06/06              | ANGULAR                           | 0.X ±-             |
| Eng                                   | JPEH    | 2004/08/11              | LINEAR                            | 0.XX ±0.25         |
| Chr                                   | KH LEE  | 2009/12/17              | 0° ±3°                            | 0.XXX ±-           |
| Appr                                  | JOEY NG | 2009/12/17              | Product family                    | MINITEK Spec ref - |
| FCI                                   |         | POL. MINITEK II         |                                   | dwg no 61698       |
|                                       |         | SMT STR HEADER (DUPLEX) |                                   | Rev. K             |
| catalog no                            |         | CUSTOMER                |                                   | sheet 1 of 2       |

| rev | ecn no   | dr   | date       |
|-----|----------|------|------------|
| E   | S20062   | JPEH | 2002/06/06 |
| F   | S04-0172 | JPEH | 2004/08/11 |
| G   | S04-0224 | KBM  | 2004/10/25 |
| H   | S05-0060 | KBM  | 2005/02/28 |
| J   | S06-0236 | KHL  | 2006/07/17 |
| K   | S10-0205 | PR   | 2009/12/17 |
| -   | -        | -    | -          |

1

2

3

4



Copyright FCI.

| PRODUCT NO.<br>SEE NOTE 8 | POS  | POL. POS   | DIM X | DIM Y |
|---------------------------|------|------------|-------|-------|
| 61698-X01                 | 2X22 | 20         | 42    | 44    |
| -X02                      | 2X13 | 1          | 24    | 26    |
| -X03                      | 2X16 | 3,4,5,6,32 | 30    | 32    |

NOTES:

1. MATERIAL:  
BODY : HIGH TEMPERATURE THERMOPLASTIC UL 94V-0 BLACK  
PIN : COPPER ALLOY
2. TOLERANCE UNLESS OTHERWISE NOTED  $\pm 0.25$
3. DIM 1.0 APPLIES TO MOLDED SIDE(S) ONLY.  
IF SIDE(S) ARE BROKEN, DIM 1.5 MAX APPLIES.
4. RECESS APPLIES TO MOLDED SIDE(S) ONLY.
5. PLATING ON MATING LENGTH:  
-3XX --- 0.38 $\mu$ m Au OVER 1.27 $\mu$ m MIN NICKEL UNDERPLATE.  
-5XX --- 0.38 $\mu$ m PdNi W Au FLASH OVER 1.27 $\mu$ m MIN NICKEL UNDERPLATE.  
-6XX --- 0.76 $\mu$ m PdNi W Au FLASH OVER 1.27 $\mu$ m MIN NICKEL UNDERPLATE.
6. SOLDER TAIL PLATING:  
a) SOLDER TAIL OF P/N:61698-XXX IS 3.81 $\mu$ m MIN TIN/LEAD (90/10) PLATED OVER 1.27 $\mu$ m MIN NICKEL UNDERPLATE.  
b) SOLDER TAIL OF P/N:61698-XXXLF IS 2.54 $\mu$ m MIN 100% MATTE TIN PLATED OVER 1.27 $\mu$ m MIN NICKEL UNDERPLATE (LEADFREE).
7. PACKAGING:  
a) STANDARD PACKAGING IN PLASTIC BAG.  
b) SPECIFY 61698-XXXT FOR TUBE PACKAGING.  
c) SPECIFY 61698-XXXTR FOR TAP AND REEL PACKAGING.  
A PICK-UP CAP IS PROVIDED IN THE CENTRE OF THE PRODUCT (SEE FIG.1) FOR PICK AND PLACE APPLICATION.  
d) SPECIFY 61698-XXXTC FOR TUBE PACKAGING WITH PICK-UP CAP IN CENTRE OF PRODUCT(SEE FIG.1).

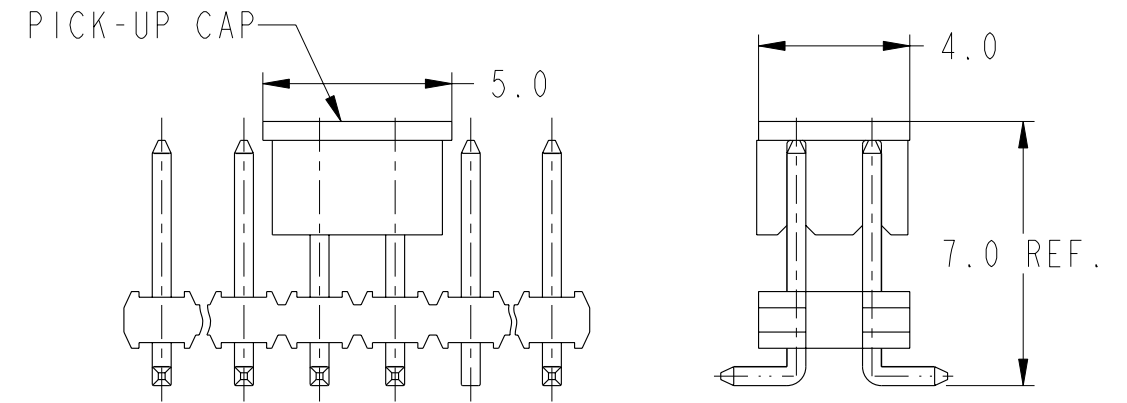


FIG. 1  
NOTE 7 (c)&(d)  
SCALE 5:1

8. PART NUMBER INFORMATION  
61698-XYZZLF  
LEAD FREE. SEE NOTES 6b,12  
TYPE OF PACKAGING SEE NOTE 7  
DASH NUMBER  
PLATING AT MATING. SEE NOTE 5  
BASE NUMBER
9. COPLANARITY OF SOLDER LEADS TO BE WITHIN 0.10mm.
10. POLARISED BY OMISSION OF PINS. REFER TO TABLE FOR POL. POS.
11. THE HOUSING WILL WITHSTAND EXPOSURE TO 255°C PEAK TEMPERATURE FOR 10 SECONDS IN A CONVECTION, INFRA-RED OR VAPOR PHASE REFLOW OVEN.
12. THIS PRODUCT MEETS EUROPEAN UNION DIRECTIVES AND OTHER COUNTRY REGULATIONS AS DESCRIBED IN GS-22-008.
13. A  $\triangle K$  SYMBOL WILL BE NEXT TO ANY DIMENSION, VIEW OR NOTE WHICH HAS BEEN MODIFIED WITH THE CURRENT DRAWING REVISION.

**CONFIDENTIAL**

|                                       |         |  |                                   |                 |                  |
|---------------------------------------|---------|--|-----------------------------------|-----------------|------------------|
| www.fciconnect.com                    |         | surface $\checkmark$<br>ISO 1302           | tolerance std<br>ISO 406 ISO 1101 | projection<br>  | MM<br>Scale 10:1 |
| TOLERANCES UNLESS OTHERWISE SPECIFIED |         |  |                                   |                 |                  |
| Dr                                    | JPEH    | 2002/06/06                                 | ANGULAR                           | 0.X             | $\pm$            |
| Eng                                   | JPEH    | 2004/08/11                                 | LINEAR                            | 0.XX            | $\pm 0.25$       |
| Chr                                   | KH LEE  | 2009/12/17                                 | 0° $\pm 3^\circ$                  | 0.XXX           | $\pm$            |
| Appr                                  | JOEY NG | 2009/12/17                                 | Product family                    | MINITEK         | Spec ref -       |
|                                       |         | POL. MINITEK II<br>SMT STR HEADER (DUPLEX) |                                   | dwg no<br>61698 | Rev.<br>K        |
| catalog no                            |         | -  |                                   | CUSTOMER        | sheet 2 of 2     |

# Mouser Electronics

Authorized Distributor

Click to View Pricing, Inventory, Delivery & Lifecycle Information:

[FCI:](#)

[61698-302TRLF](#) [61698-301TCLF](#) [61698-302LF](#) [61698-301TRLF](#) [61698-302T](#) [61698-302TC](#) [61698-602TC](#) [61698-602TCLF](#) [61698-602TRLF](#)