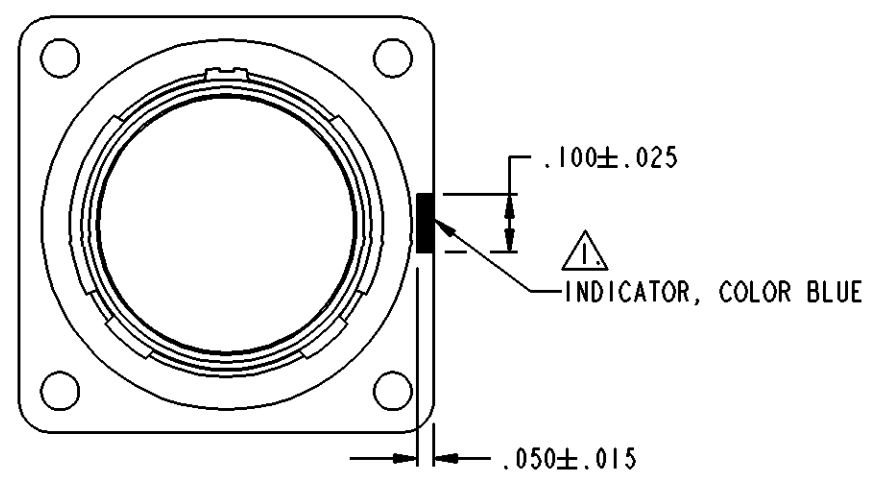
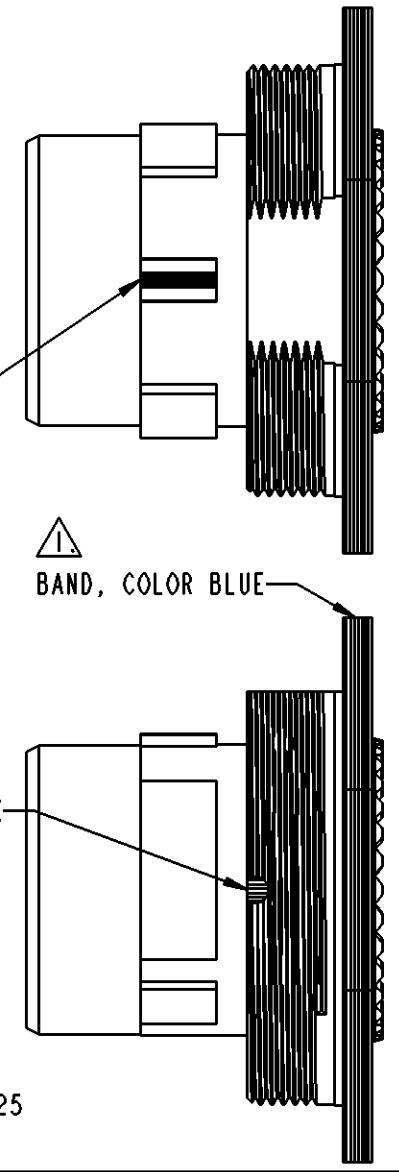
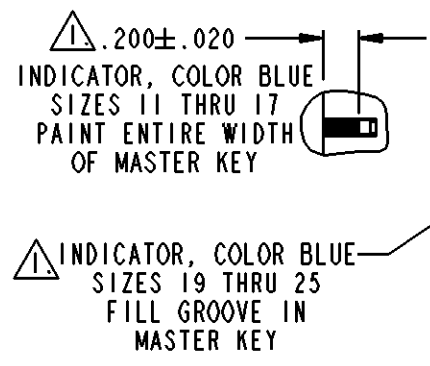
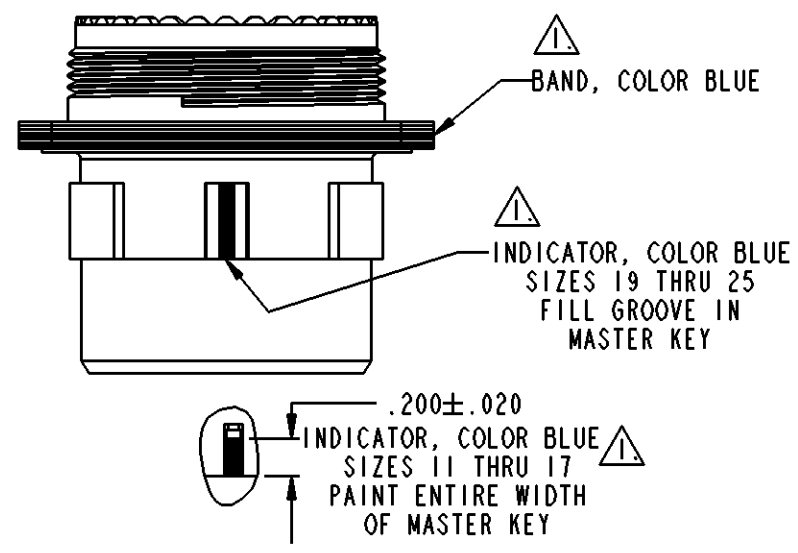


REVISIONS			
REV	DESCRIPTION	DATE	APPROVED
-	NEW RELEASE PER E.O. C6776	011019	C.F.



(**)₁ - SIZE 11, 13, 15, 17, 19, 21, 23 AND 25

△ AFTER PLATING TO CORRECT PLATING LIST NUMBER, PAINT COLOR BAND AND INDICATOR AS SHOWN PER DPS 1-141-17, TYPE VII, CLASS 1, COLOR BLUE.

UNLESS OTHERWISE SPECIFIED: DIMENSIONS ARE IN INCHES DECIMALS TO ± .005 ANGLES ± 30° 0' T.I.R. .010 PARTS TO HAVE NO BURRS OR SHARP EDGES MATERIAL ALUM ALLOY 6061-T6 PER DMS 2-037-01 FINISH (**) ₂ = DPS #1 APPLIES	SIGNATURE & DATE	
	DR	D. WHITACRE 011016
	CHK	C.F. 011019
	PE	D. WHITACRE 011016
	APPD	EHAN LATIF 070907
SCALE	NONE	WT

SHELL, RECEPTACLE
SQ FLG & JAM NUT MOUNTING
BREECH LOCK COUPLING
DIV SERIES
PLATED AND PAINTED FOR DISTRIBUTION

INFORMATION

CP	MATL CODE 61
DEUTSCH ENGINEERED CONNECTING DEVICES 5733 W. Whittier Ave. Hemet, California	
	6131-201/220-(**) ₁ (**) ₂ P
	CODE 11139 SHEET OF

6131-201-220-XXXX

Mouser Electronics

Authorized Distributor

Click to View Pricing, Inventory, Delivery & Lifecycle Information:

[TE Connectivity:](#)

[6131-202-15149P](#)