

4

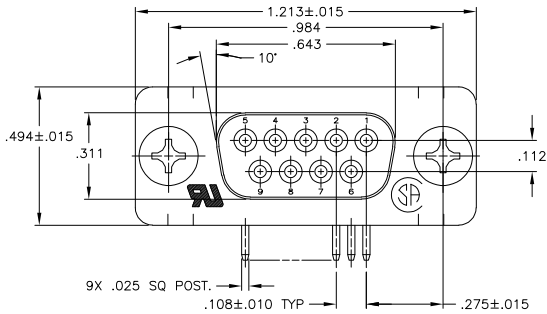
3

2

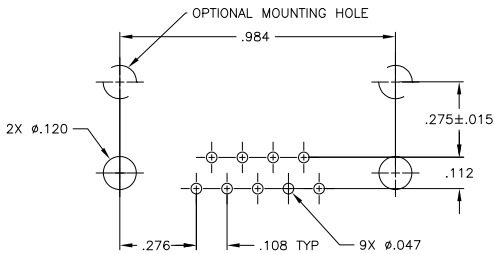
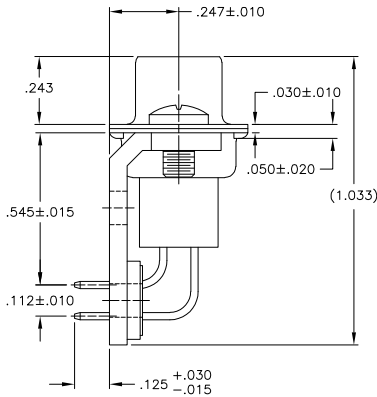
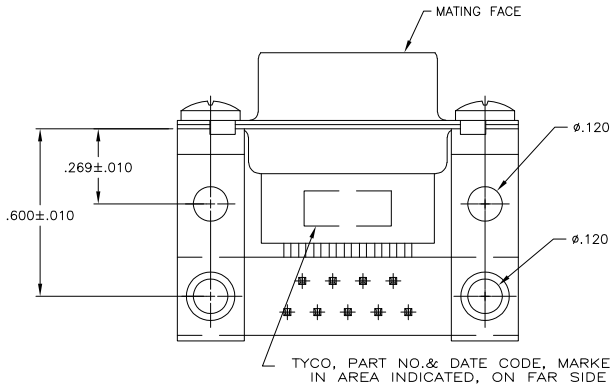
1

THIS DRAWING IS UNPUBLISHED. RELEASED FOR PUBLICATION  
 © COPYRIGHT 2005 BY TYCO ELECTRONICS CORPORATION. ALL RIGHTS RESERVED.

LOC	DIST	REVISIONS					
GP	00	P	LTR	DESCRIPTION	DATE	MIN	APD
		0		RELEASED PER EC 0513-0057-05	170CT05	GP	JG



- ⚠ MOLDDED PARTS: GLASS FILLED NYLON, UL94V-0 RATED, COLOR BLACK.  
SHELLS & BRACKETS: CARBON STEEL  
CONTACTS: PHOS BRONZE
- ⚠ SHELLS & BRACKETS: ZINC PLATED YELLOW CHROMATE COATING.  
CONTACTS: GOLD FLASH FOR A LENGTH OF .100 MINIMUM FROM MATING END, .000100 MINIMUM TIN ON OPPOSITE END, BOTH OVER .000050 MINIMUM NICKEL.



P.C. BOARD MOUNTING DIMENSIONS

5205866-1  
PART NUMBER

THIS DRAWING IS A CONTROLLED DOCUMENT.		DR: C. PETERS 170CT05	Tyco Electronics Corporation	
		CR: S. BOLASH 170CT05	Harrisburg, PA 17105-3608	
		APP: M. WALMSLEY 170CT05	NAME	
DIMENSIONS: INCHES		PRODUCT SPEC: 108-40025	RECEPTACLE ASSEMBLY, SIZE 1, 9 POS., RIGHT ANGLE, .545 SERIES, .025 SQ. POSTS, AMPLIMITE HDP	
TOLERANCES UNLESS OTHERWISE SPECIFIED:		APPLICATION SPEC: 114-40013	SIZE CASE CODE DRAWING NO. RESTRICTED TO	
Ø PLC ± .010		WEIGHT: -	A2 00779 C-5205866	
Ø PLC ± .005		CUSTOMER DRAWING		
Ø PLC ± .002		SCALE: 4:1 SHEET: 1 of 1 REV: 0		
ANGLES ± .5°				
FINISH				

5205866

A