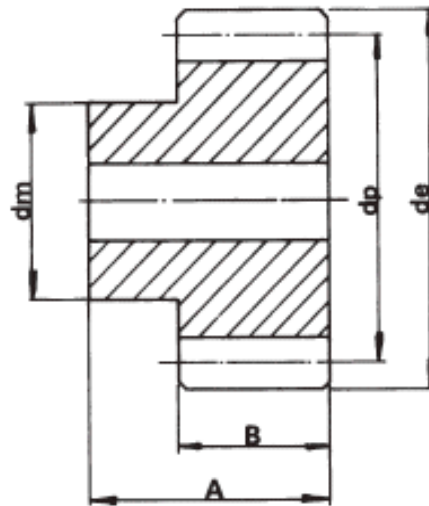




Spur Gears 1.0 MOD 20° p.a. Stainless Steel AISI 303 / 304

Gear type B
All dimensions in mm



Standard: to DIN 867, DIN 3962, DIN 3963, Grade 9gs
Standard tolerances, unless otherwise stated $\pm 0.25\text{mm}$.

RS Article no.	Code	Type	No. of Teeth	Pitch \varnothing dp	Bore \varnothing H8	Hub/Boss \varnothing dm	Outside \varnothing de	O/A Width A	Face Width B
5216711	STS10/15B**	B	15	15	8	17	17	30	10
5216727	STS10/18B**	B	18	18	8	20	20	30	10
5216733	STS10/22B	B	22	22	8	18	24	20	10
5216749	STS10/24B	B	24	24	8	20	26	20	10
5216755	STS10/25B	B	25	25	8	20	27	20	10
5216761	STS10/30B	B	30	30	8	25	32	20	10
5216777	STS10/40B	B	40	40	10	35	42	20	10
5216783	STS10/50B	B	50	50	10	35	52	20	10
5216799	STS10/56B	B	56	56	10	40	58	20	10
5216806	STS10/100B	B	100	100	12	60	102	20	10
5218543	STS10/120B	B	120	120	12	60	122	20	10

** These gears /15B and 18B are hobbed type pinions and have cutter runout after the 10 mm gear face width