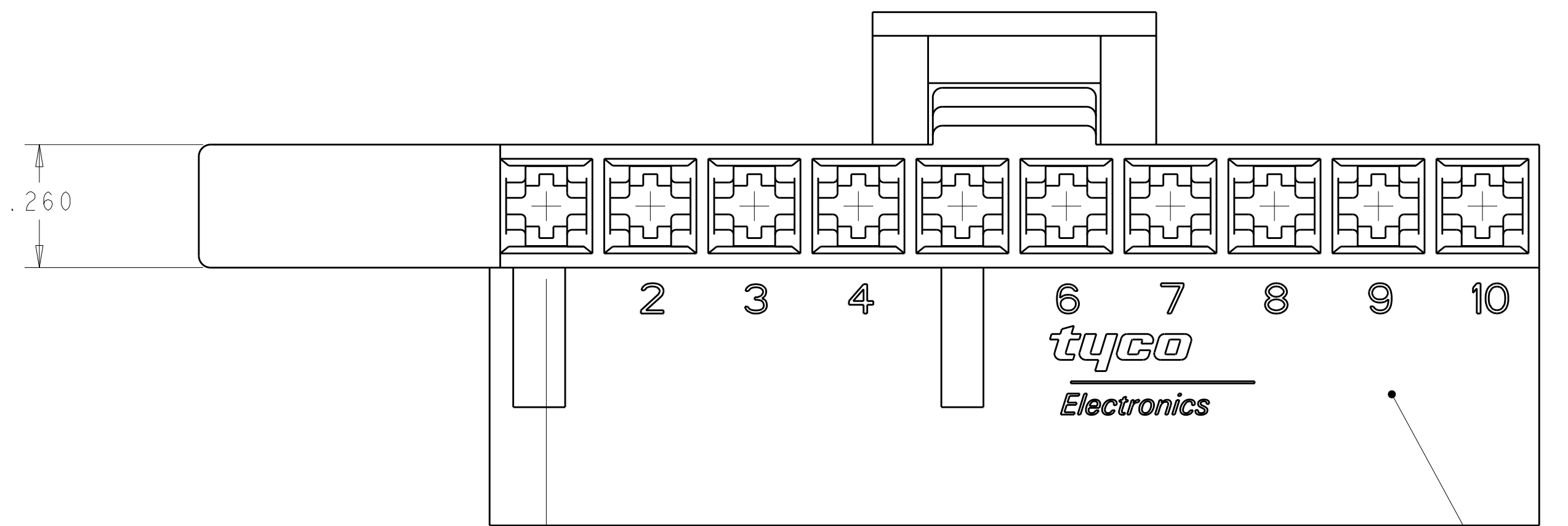
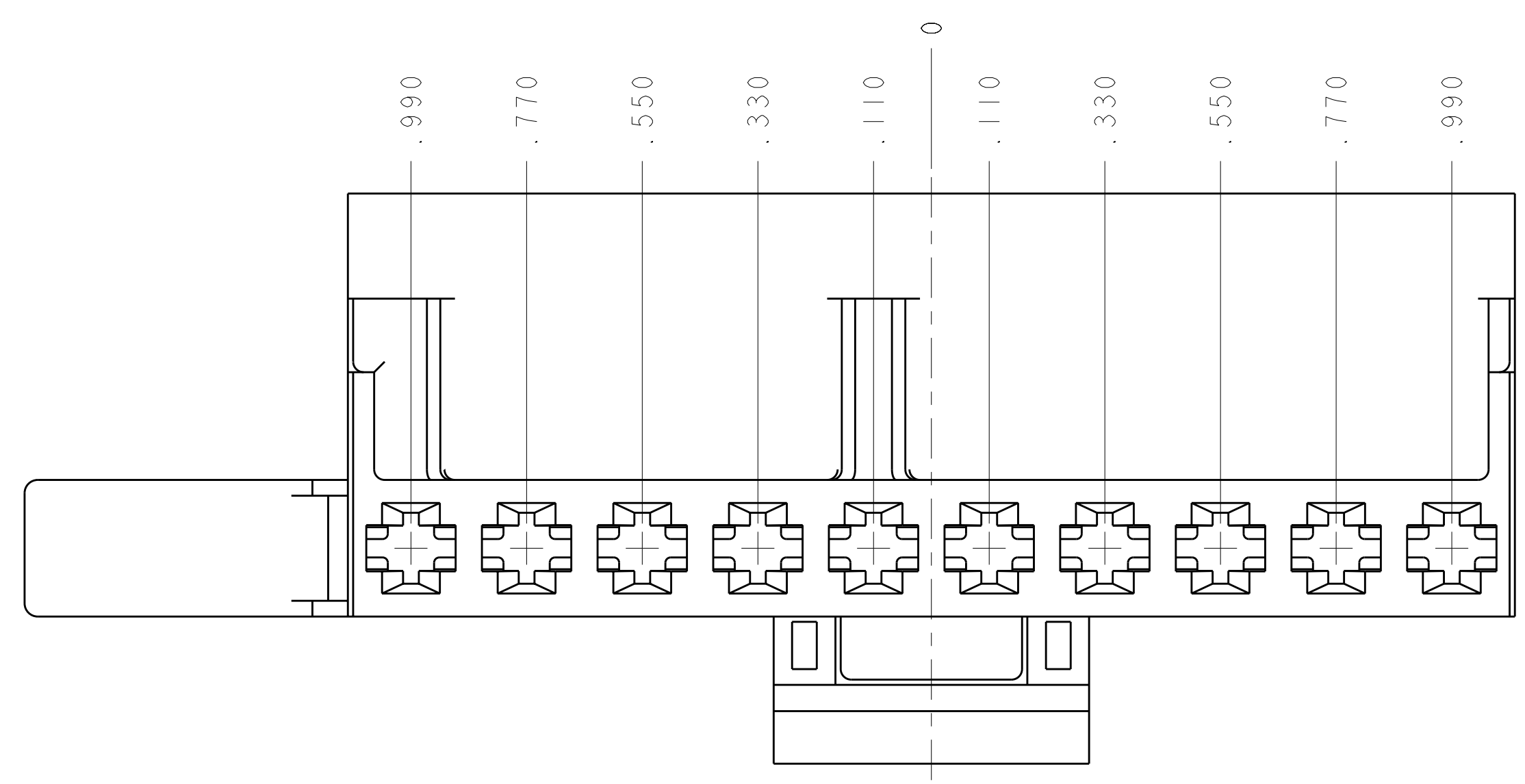
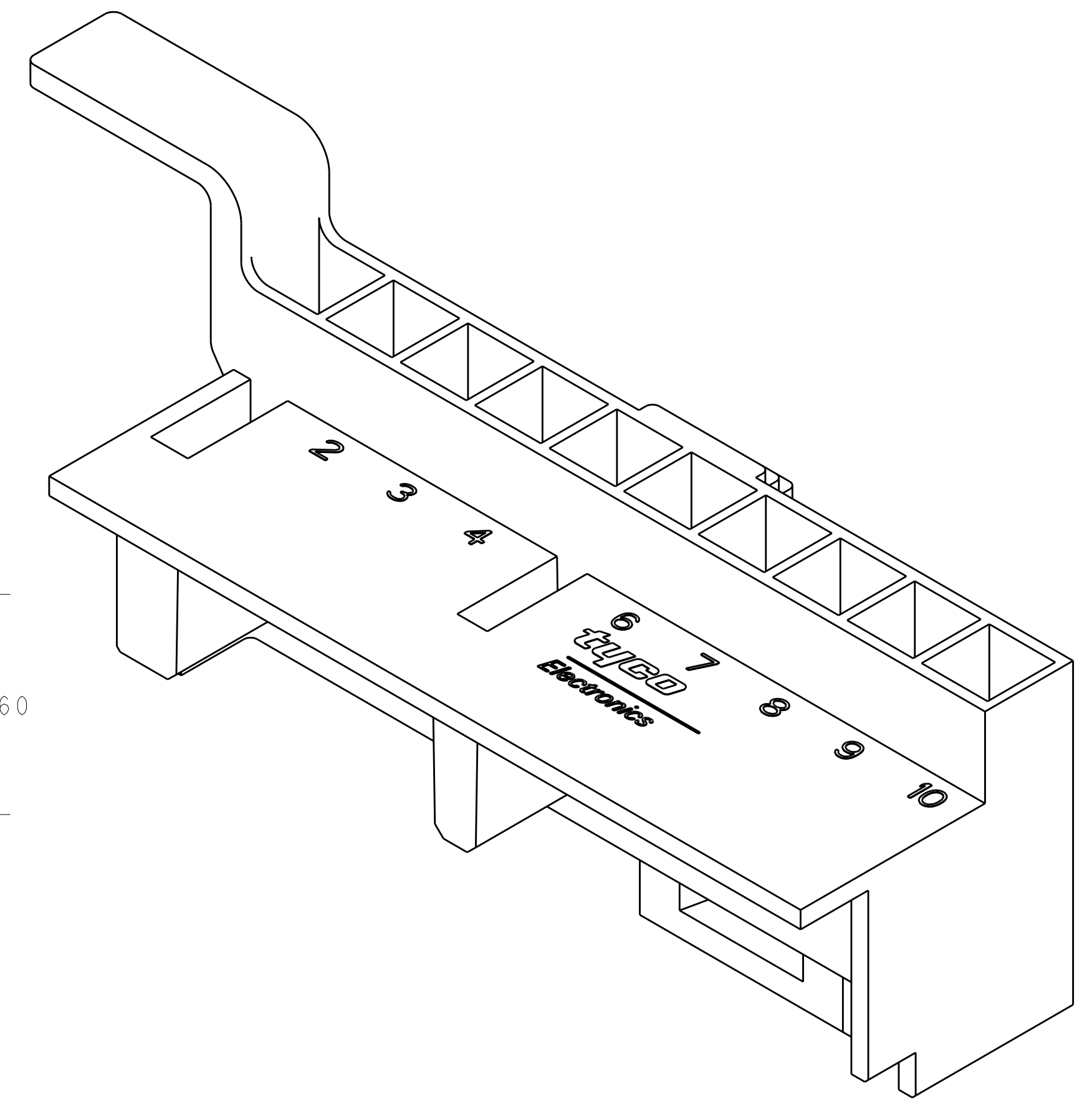
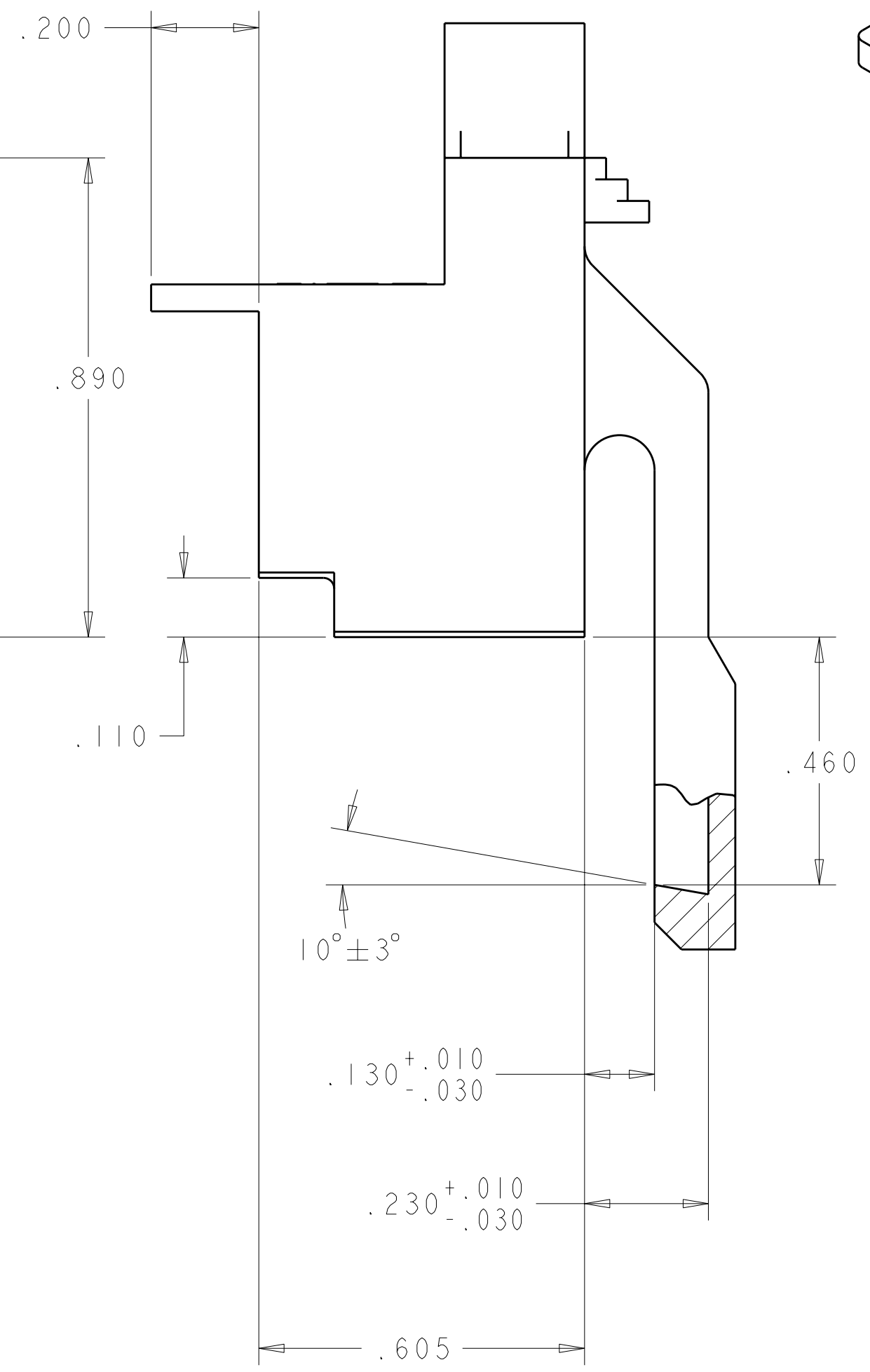
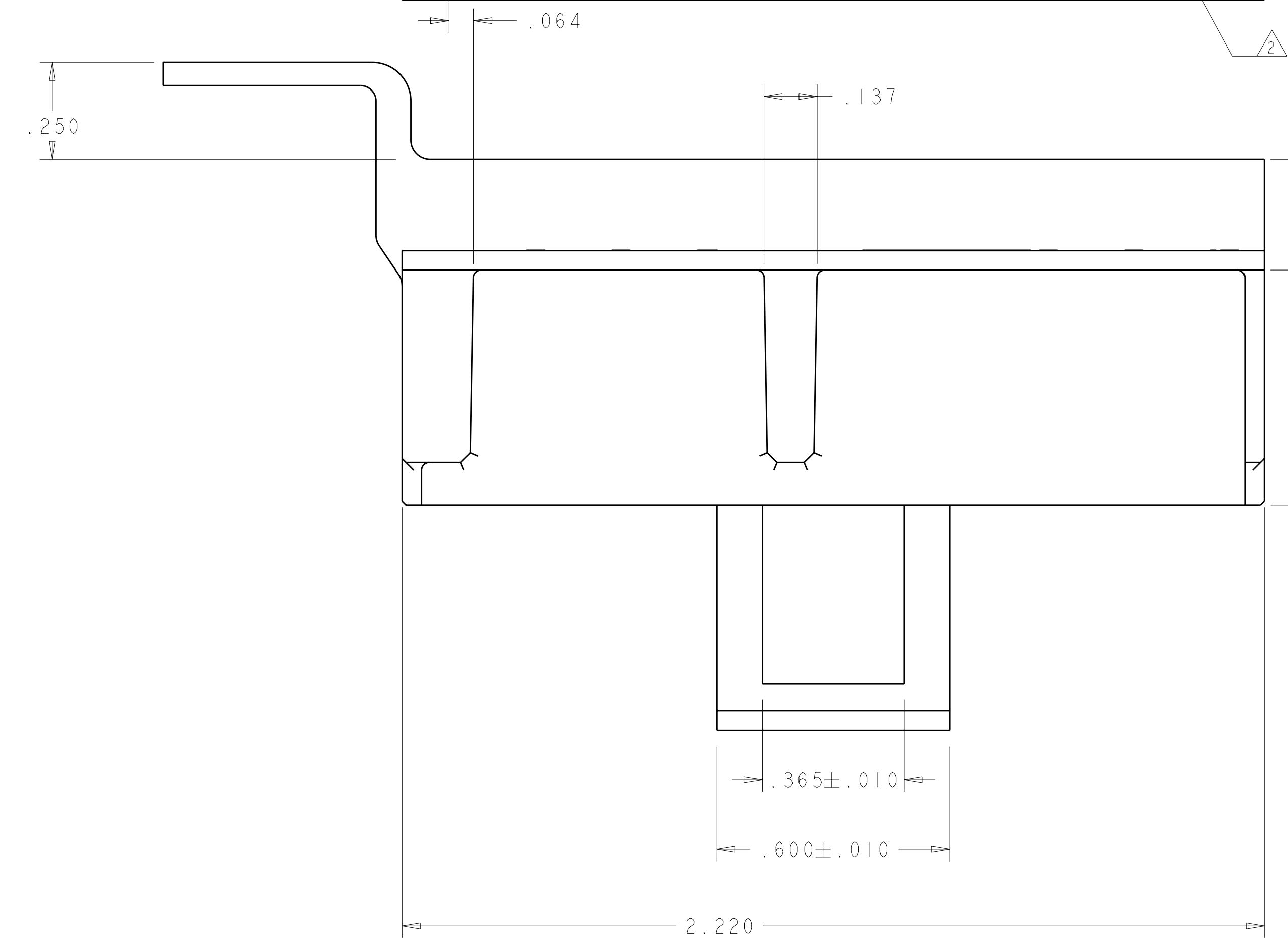


LOC		DIST		REVISIONS			
AF	50	P	LTB	DESCRIPTION	DATE	DWN	APVD
		P		REVISED PER ECR-12-004046	06MAR2012	KH	GJ



1 HOUSING ACCEPTS (10) .125 BLADE RECEPTACLES, TYCO P/N 1217039-1  
 △ DFE SYMBOL, SEE TABLE, LOCATED APPROXIMATELY AS SHOWN.



	>PA<	COLOR	MATERIAL	PART NUMBER
	>PA<	NATURAL	NYLON 66 UL94, V0	521680-6
OBSOLETE	>PA<	BLUE	NYLON, V0	<del>521680-5</del>
	>PA<	NATURAL	NYLON 66 UL94 V0	521680-4
OBSOLETE	>PA<	BLUE	NYLON, V2	<del>521680-3</del>
OBSOLETE	>PA<	BLACK	NYLON, V0	<del>521680-2</del>
	>PA<	NATURAL	NYLON, V2	521680-1
	DFE SYMBOL			

THIS DRAWING IS A CONTROLLED DOCUMENT.

DIMENSIONS: INCHES	TOLERANCES UNLESS OTHERWISE SPECIFIED:	DWN R. FLAIG 14OCT2003	CHK D. DECKER 14OCT2003	APVD D. DECKER 14OCT2003	NAME MOTOR HOUSING, 10 POSITION
9 PLC ±	9 PLC ±	PRODUCT SPEC	SIZE CAGE CODE DRAWING NO RESTRICTED TO		
3 PLC ±	3 PLC ±	APPLICATION SPEC	A100779C=521680		
5 PLC ±.010	5 PLC ±.010	WEIGHT	SCALE 4:1 SHEET 1 OF 1 REV P		
4 PLC ±	4 PLC ±	CUSTOMER DRAWING			
ANGLES #2°	ANGLES #2°				
MATERIAL	FINISH				

TE Connectivity

# Mouser Electronics

Authorized Distributor

Click to View Pricing, Inventory, Delivery & Lifecycle Information:

[TE Connectivity:](#)

[521680-6](#)