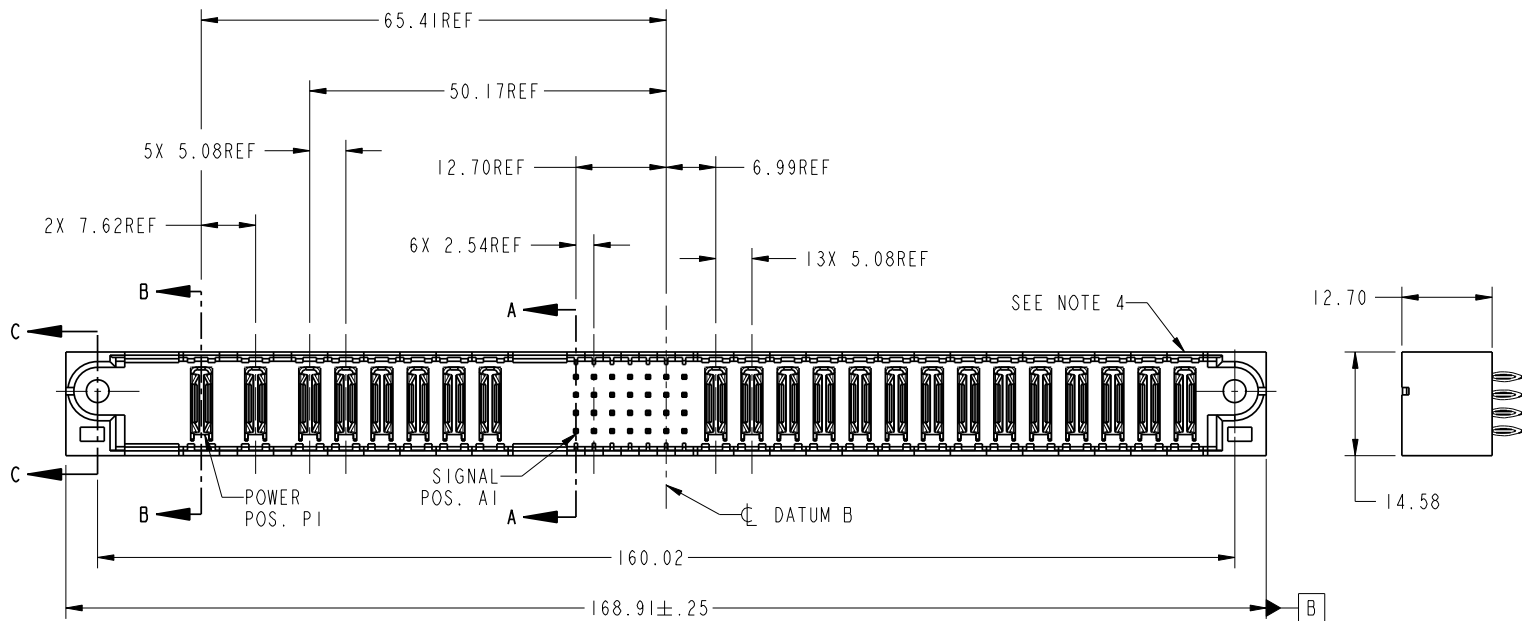


Tous droits strictement reserves. Reproduction ou communication a des tiers interdite sous quelque forme que ce soit sans autorisation ecrite du propriétaire. Propriete de c FCI. Droits de reproduction FCI.



All rights strictly reserved. Reproduction or issue to third parties in any form whatever is not permitted without written authority from the proprietor. Property of FCI. Copyright FCI.

PRODUCT NO.	ROWS	E1	POWER								SIGNAL							POWER														E2
			P1	P2	P3	P4	P5	P6	P7	P8	1	2	3	4	5	6	7	P9	P10	P11	P12	P13	P14	P15	P16	P17	P18	P19	P20	P21	P22	
51952-091-- NOTE: 3	D C B A		PC	PC	PC	PC	PC	PC	PC	K	K	G	G	G	G	G	PC	PC	PC	PC	PC	PC	PC	PC	PC	PC	PC	PC	PC	PC		



CODE	DIM "M" MATING LENGTH	CONTACT TYPE
PC	[N/A]	POWER
K	[5.59]	SIGNAL
G	[6.86]	SIGNAL

mat'l code				SEE NOTE		tolerances unless otherwise specified		CUSTOMER	
lir	ecn no.	dr	date	linear	0.X ± 0.3	COPY		FCI	
A	DG06-0110	RYAN	03/16/06		0.XX ± 0.13	projection		www.fciconnect.com	
B	DG07-0357	JULIA	09/10/07	angles	0.XXX ± 0.051			title IM + 8P + 1M + 28S + 14P VERTICAL PF HEADER	
				dr	RYAN YUAN 03/16/06	MM		product family PwrBlade	
				enrg	STEVEN WANG 03/16/06	scale 1:1		size	
				chr	BEER FU 03/16/06			dwg no 51952-091	
				appd	JOSEPH HSIA 03/16/06			code 213	
sheet index	revision	B	B	B	B			sheet 1 of 4	
	sheet	1	2	3	4				

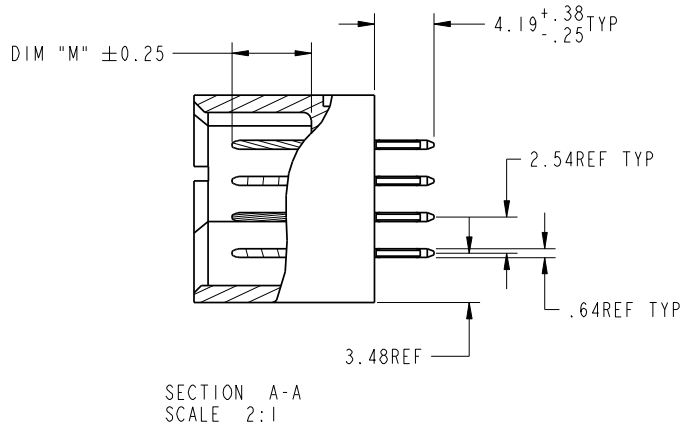
sheet index		revision		B		B		B		B		code		22526	
Pro/E		3		4		A		51952-091		213		1 of 4		cage code	

Tous droits strictement reserves. Reproduction ou communication a des tiers interdite sous quelque forme que ce soit sans autorisation ecrite du proprietaire. Propriete de c FCI. Droits de reproduction FCI.

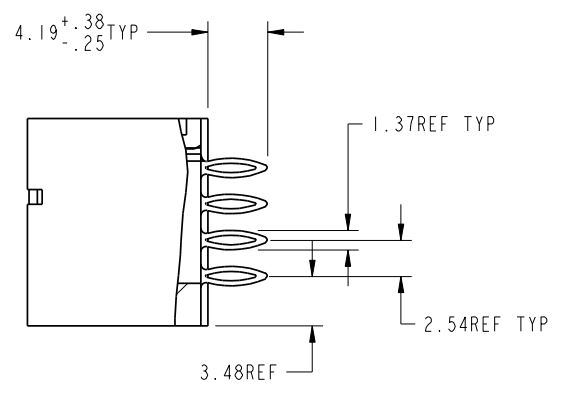


All rights strictly reserved. Reproduction or issue to third parties in any form whatever is not permitted without written authority from the proprietor. Property of FCI. Copyright FCI.

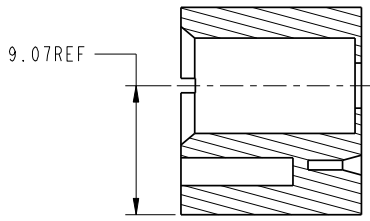
PRODUCT NUMBER  
51952-091\_\_  
NOTE: 3



SECTION A-A  
SCALE 2:1



SECTION B-B  
SCALE 2:1



SECTION C-C  
SCALE 2:1

mat'l code				SEE NOTE	tolerances unless otherwise specified		CUSTOMER		 www.fciconnect.com	
lir	ecm no.	dr	date	linear	0.X ±0.3	COPY		projection		title IM + 8P + IM + 28S + 14P VERTICAL PF HEADER
B					0.XX ±0.13					
				angles	0° ±2°			 MM		product family PwrBlade
				dr	RYAN YUAN 03/16/06			scale 1:1		code 213
				enr	STEVEN WANG 03/16/06			size A		sheet 2
				chr	BEER FU 03/16/06			dwg no 51952-091		
				appd	JOSEPH HSIA 03/16/06					
sheet index	revision sheet									

cage code 22526

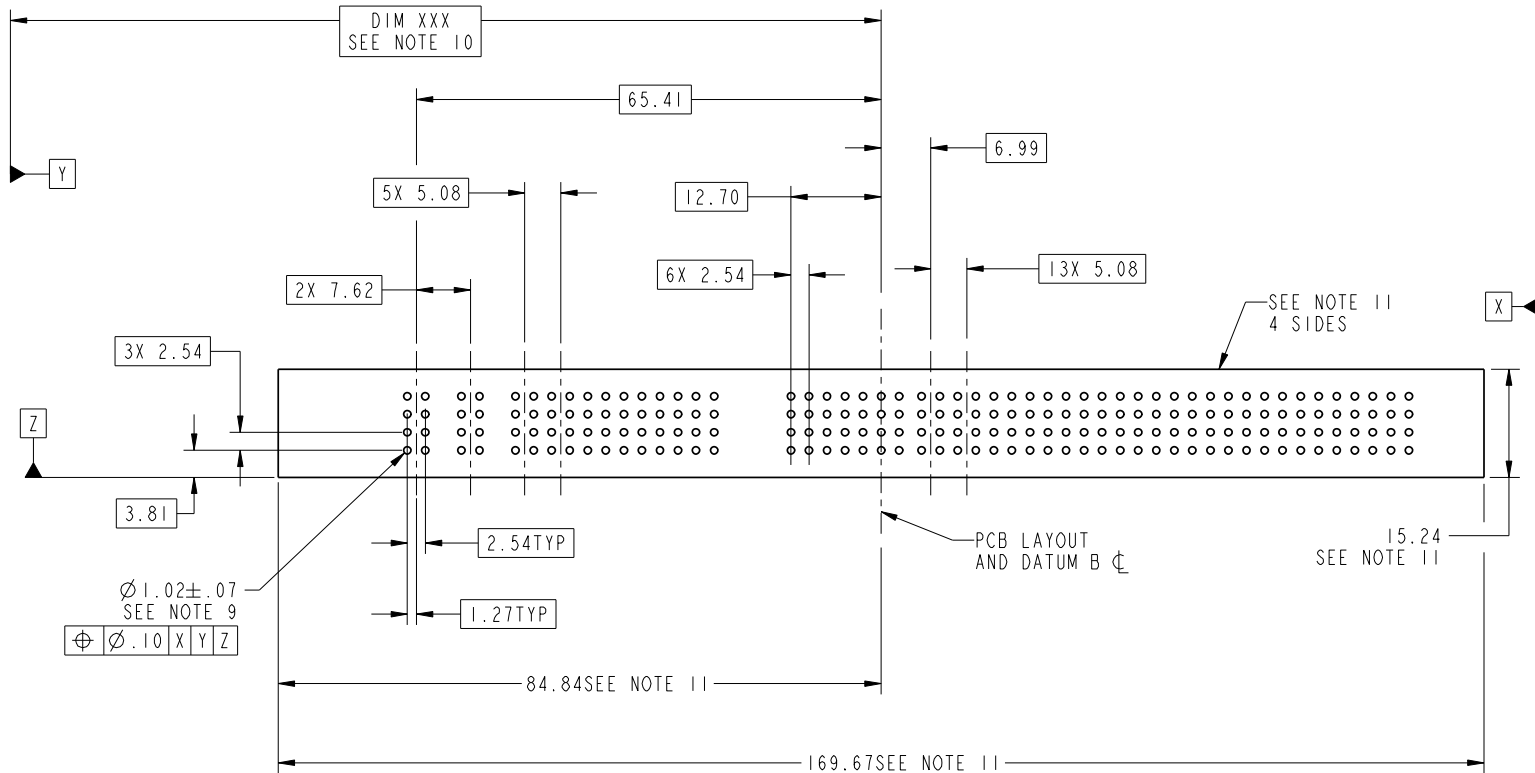
Pro/E

Tous droits strictement reserves. Reproduction ou communication a des tiers interdite sous quelque forme que ce soit sans autorisation ecrite du propriétaire. Propriete de c FCI. Droits de reproduction FCI.



All rights strictly reserved. Reproduction or issue to third parties in any form whatever is not permitted without written authority from the proprietor. Property of FCI. Copyright FCI.

PRODUCT NUMBER  
51952-091...  
NOTE: 3



mat'l code				SEE NOTE		tolerances unless otherwise specified		CUSTOMER		FCI		www.fciconnect.com	
lir	ecn no.	dr	date	linear	0.X ± 0.3	projection		COPY		title			
B					0.XX ± 0.13	0° ± 2°		MM		IM + 8P + IM + 28S + 14P VERTICAL PF HEADER			
				angles	0.XXX ± 0.051	0° ± 2°		scale		product family		code	
				dr	RYAN YUAN	03/16/06		1:1		PwrBlade		213	
				enr	STEVEN WANG	03/16/06				size		sheet	
				chr	BEER FU	03/16/06				A		3	
				appd	JOSEPH HSIA	03/16/06				51952-091			
sheet index	revision sheet												

cage code 22526

Pro/E

Tous droits strictement reserves. Reproduction ou communication a des tiers interdite sous quelque forme que ce soit sans autorisation écrite du propriétaire. Propriete de c FCI. Droits de reproduction FCI.



All rights strictly reserved. Reproduction or issue to third parties in any form whatever is not permitted without written authority from the proprietor. Property of FCI. Copyright FCI.

PRODUCT NUMBER  
51952-091\_\_  
NOTE: 3

NOTES:

1. DIMENSIONS AND TOLERANCES ARE IN ACCORDANCE WITH ASME Y14.5M, 1994 UNLESS OTHERWISE SPECIFIED.

CONNECTOR NOTES:

- 2 HOUSING MATERIAL: UL 94 V-0 GLASS FILLED  
HIGH-TEMP THERMOPLASTIC  
POWER CONTACT MATERIAL: COPPER ALLOY  
SIGNAL PIN MATERIAL: COPPER ALLOY
  - 3. PLATING:  
51952-091 ,51952-091LF PLATING SPEC. WAS SHOWN IN THE PRINT OF 10064183.
  - 4 MANUFACTURER'S NAME, P/N, AND DATE CODE TO APPEAR ON THIS SURFACE.
  - 5. PRODUCT SPECIFICATION GS-12-149.  
APPLICATION SPECIFICATION BUS-20-067.
  - 6. PACKAGED IN TRAYS.
- PCB NOTES:
- 7. ALL HOLE DIAMETERS ARE FINISHED HOLE SIZE.
  - 8. MOUNTING HOLES, WHERE APPLICABLE, ARE UNPLATED.
  - 9  $\varnothing 1.151 \pm 0.025$  DRILLED HOLES PLATED WITH  
0.008 MIN SnPb OR Sn OVER 0.03  
TO 0.08 Cu PLATING TO ACHIEVE  
 $\varnothing 1.02 \pm .07$  HOLE.
  - 10 "DIM XXX" TO BE DETERMINED BY THE CUSTOMER.
  - 11 CONNECTOR KEEP-OUT ZONE.
  - 12. FOR PRESS FIT APPLICATION USE FCI CAM TOOL 430169-XXX.

mat'l code				SEE NOTE		tolerances unless otherwise specified		CUSTOMER		FCI www.fciconnect.com	
lfr	ecn no.	dr	date	linear	0.X ± 0.3	projection		title IM + 8P + IM + 28S + 14P VERTICAL PF HEADER			
B				angles	0.XX ± 0.13			product family PwrBlade		code 213	
				dr	0.XXX ± 0.051			size		sheet 4	
				engr	0° ± 2°	scale 1:1		dwg no 51952-091			
				chr	RYAN YUAN 03/16/06			A			
				appd	STEVEN WANG 03/16/06						
					BEER FU 03/16/06						
					JOSEPH HSIA 03/16/06						
sheet index	revision sheet										

cage code 22526

Pro/E

# Mouser Electronics

Authorized Distributor

Click to View Pricing, Inventory, Delivery & Lifecycle Information:

[FCI / Amphenol:](#)

[51952-091LF](#)