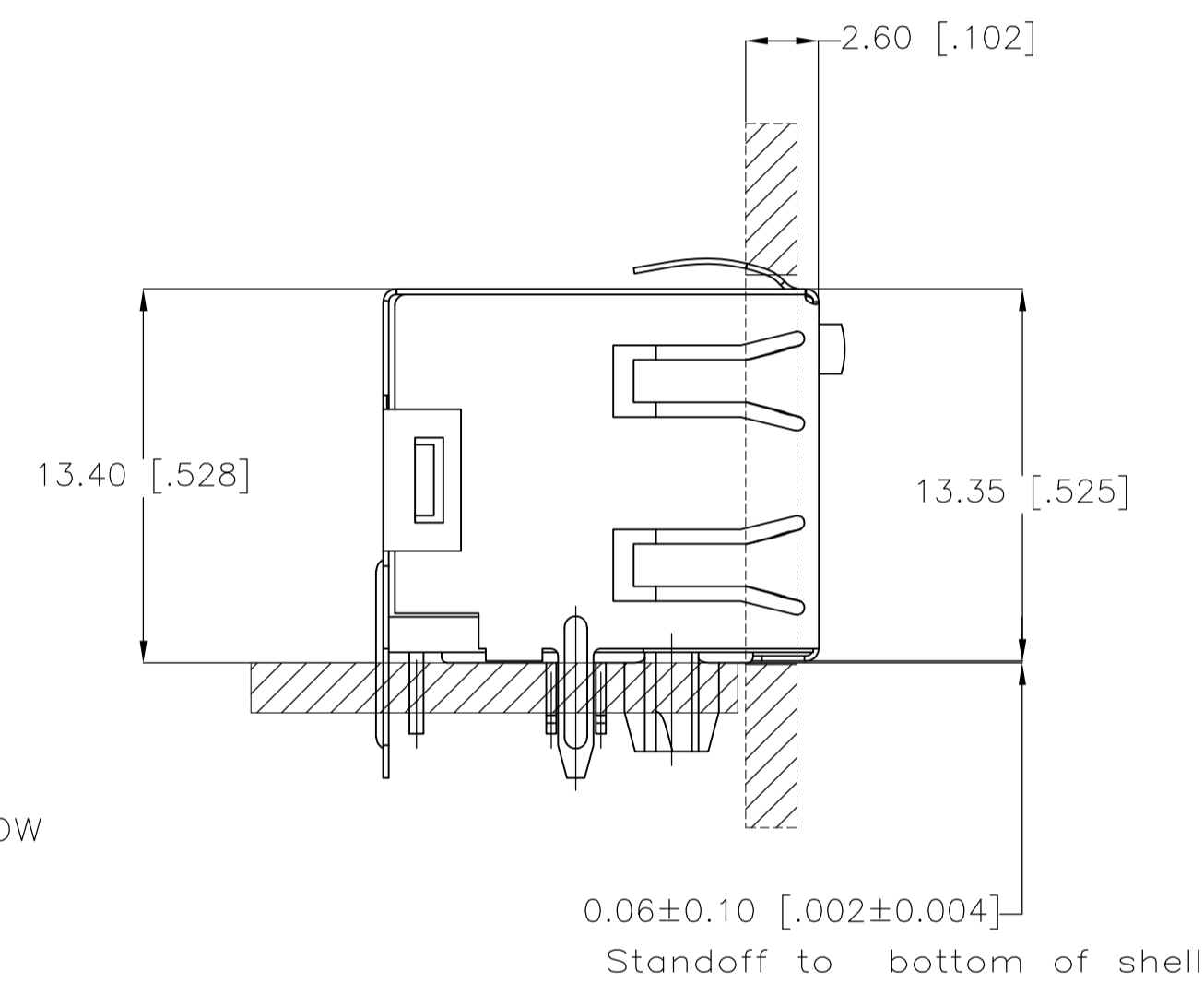
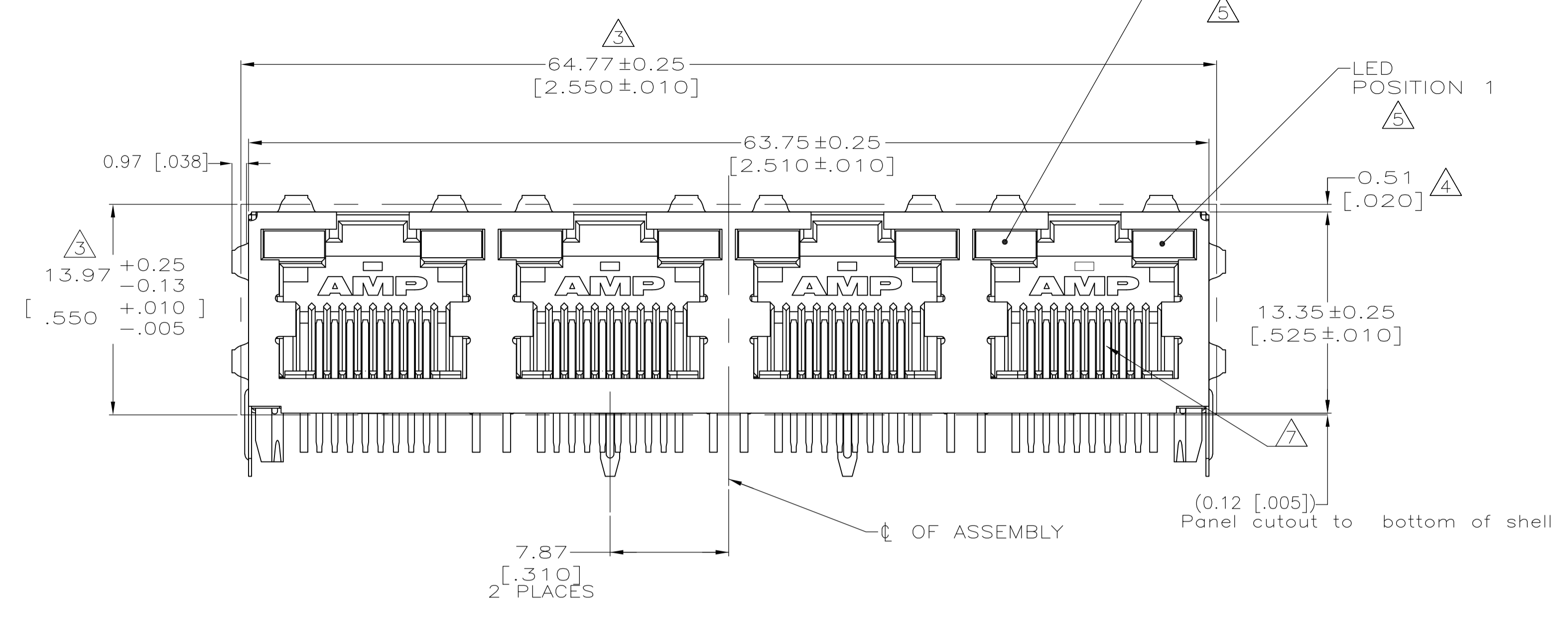
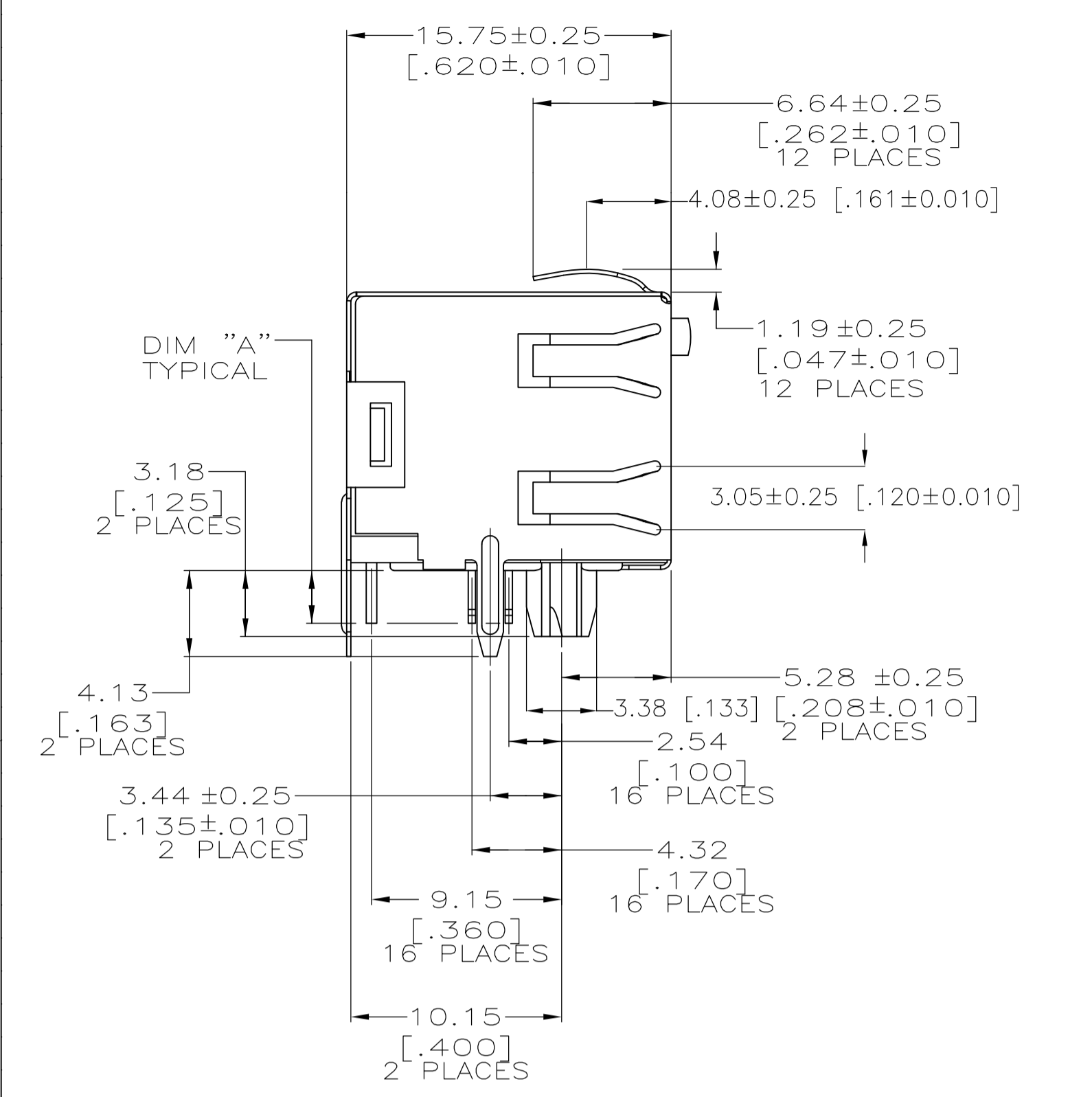
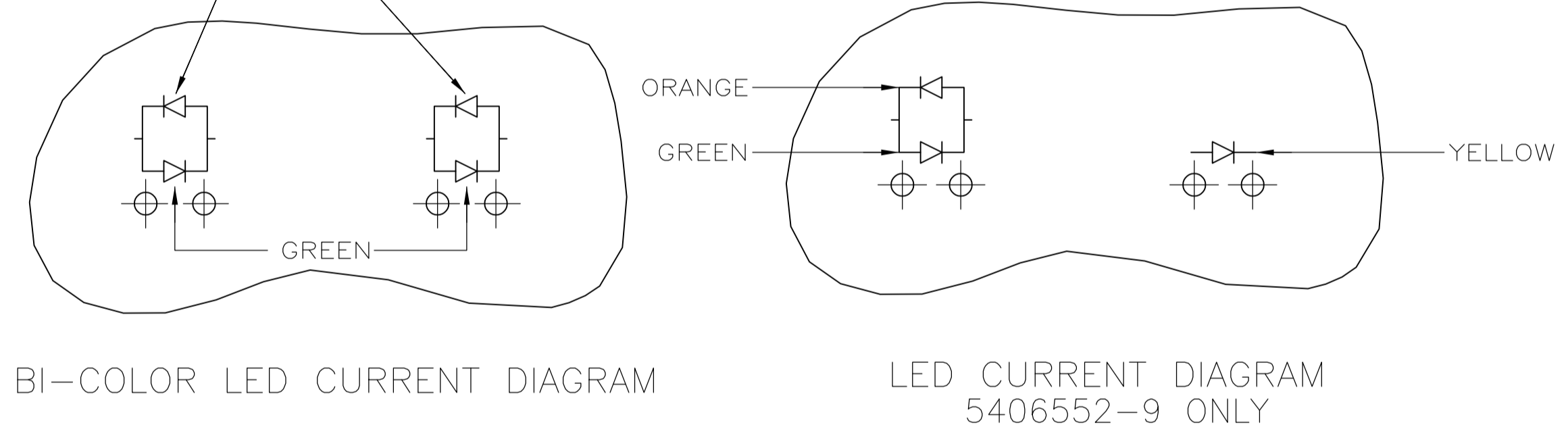


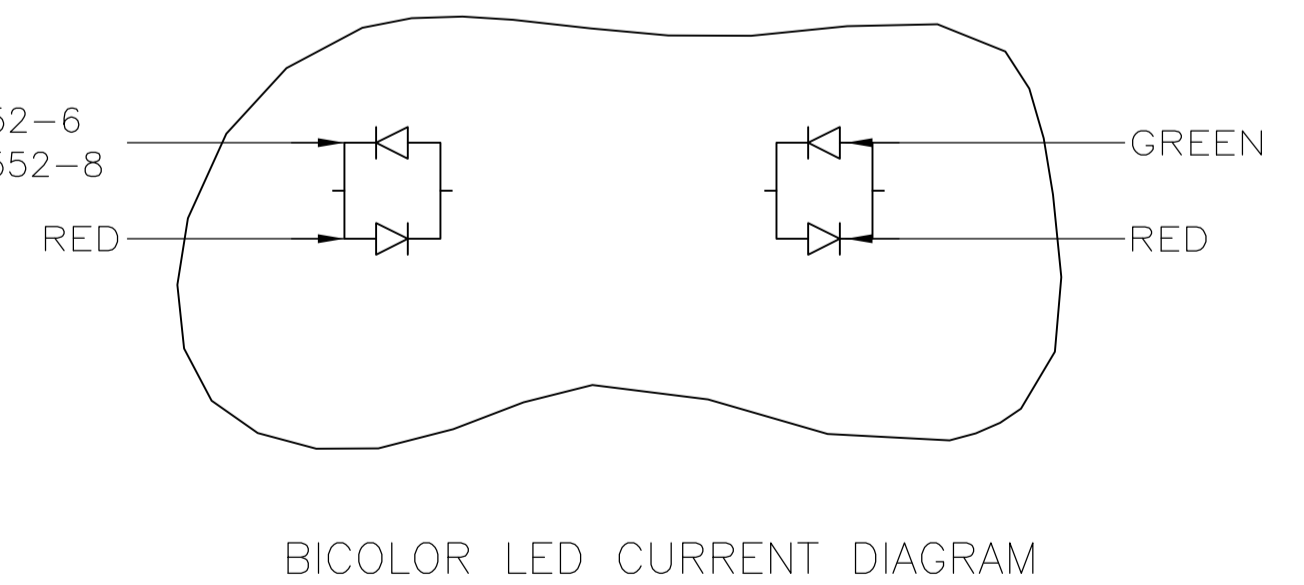
LOC	DIST	REVISIONS				
AA	00	REV	DESCRIPTION	DATE	BY	APPV
F1	ECR-14-016571			4NOV2014	CW	SH



RED FOR 1-5406552-3
 YELLOW FOR 5406552-8
 AND 2-5406552-0
 ORANGE FOR 5406552-7



GREEN FOR 1-5406552-6
 YELLOW FOR 1-5406552-8



- MATERIAL:
 HOUSING - HIGH TEMPERATURE THERMOPLASTIC, BLACK, UL94V-0.
 TERMINALS - 0.36[.014] THICK PHOS BRONZE PLATED WITH 3.81µm[.000150] MINIMUM THICK MATTE TIN IN SOLDER AREA. 1.27µm[.000050] MINIMUM GOLD IN LOCALIZED PLATE AREA. ENTIRE TERMINAL PLATED WITH 1.27µm[.000050] MINIMUM THICK NICKEL.
 SHIELD - 0.196[.0077] THICK COPPER ZINC ALLOY PREPLATED WITH 1.27µm[.000050] MINIMUM SATIN NICKEL WITH 2.03µm[.000080] MINIMUM TIN POST DIPPED ON PCB GROUND TABS.
 LIGHT EMITTING DIODE (LED) - DIFFUSED EPOXY LENS, 0.51 x 0.51[.020 x .020] CARBON STEEL WIREFRAME LEADS PREPLATED WITH 8.89 µm THICK Sn/Cu OVER 2.03 µm THICK Ag OVER 1.02 µm THICK Cu OVER 3.56 µm THICK Ni OVER 1.02 µm THICK Cu UNDERPLATE
- JACK CAVITY CONFORMS TO FCC RULES AND REGULATIONS PART 68, SUBPART F.
- SUGGESTED PANEL OPENING DIMENSIONS.
- SUGGESTED CLEARANCE BETWEEN TOP OF CONNECTOR AND TOP PANEL OPENING.
- SEE TABLE FOR COLOR OF LEDS AND NUMBER REQUIRED.
- THIS MODULAR JACK WITH INTEGRATED LED IS NOT IR REFLOW SOLDERING PROCESS COMPATIBLE.
- CONTACT AREA LUBRICATED WITH BELLCORE APPROVED LUBRICANT. TECHNICAL REFERENCE GR-1217-CORE, ISSUE 1. NOVEMBER 1995. ONLY FOR 1-5406552-7
- THE PART IS PRELIMINARY
- OBsolete PARTS: OBSOLETE CIS STREAMLINING PER D.RENAUD/D.SINISI

INDICATOR COLOR FOR EACH HOUSING	INDICATOR COLOR FOR EACH HOUSING	INDICATOR COLOR FOR EACH HOUSING	PART NUMBER
.162	YELLOW	GREEN	2-5406552-1
.132	GREEN/YELLOW	GREEN/YELLOW	2-5406552-0
.146	RED/GREEN	RED/GREEN	1-5406552-9
.100	RED/YELLOW	RED/GREEN	1-5406552-8
.100	GREEN	-	1-5406552-7
.126	RED/GREEN	RED/GREEN	1-5406552-6
.100	SEE VIEW A (SHEET 2)	SEE VIEW A (SHEET 2)	1-5406552-5
.100	RED	GREEN	1-5406552-4
.100	GREEN/RED	GREEN/RED	1-5406552-3
.120	YELLOW	GREEN	1-5406552-1
.100	GREEN/ORANGE	YELLOW	5406552-9
.100	GREEN/YELLOW	GREEN/YELLOW	5406552-8
.100	GREEN/ORANGE	GREEN/ORANGE	5406552-7
OBsolete	.100	YELLOW	5406552-6
.100	GREEN	GREEN	5406552-5
.100	GREEN	YELLOW	5406552-4
OBsolete	.100	YELLOW	5406552-3
.100	-	GREEN	5406552-2
.100	YELLOW	GREEN	5406552-1
DIM A	POSITION 2	POSITION 1	
SOLDERTAIL LENGTH	INDICATOR COLOR FOR EACH HOUSING		PART NUMBER

THIS DRAWING IS A CONTROLLED DOCUMENT.

DIMENSIONS: mm

TOLERANCES UNLESS OTHERWISE SPECIFIED:

0 PLC	±	-
1 PLC	±	-
2 PLC	±	0.25[.01]
3 PLC	±	0.13[.005]
4 PLC	±	-
ANGLES	±	-

MATERIAL: SEE NOTE 1

FINISH: SEE NOTE 1

APPROVED: T. SPRINKLE / L.A. MAYER (10MAY2005)

CHK: J. WESTMAN (10MAY2005)

APPROVED: S. FLICKINGER (10MAY2005)

NAME: INVERTED MODULAR JACK ASSEMBLY, 1X4, SHIELDED, PANEL GROUND, WITH LED

PRODUCT SPEC: 108-1163-4

APPLICATION SPEC: 114-2154

SIZE: A1

SCALE: 4:1

SHEET: 1 OF 2

REV: F1

CUSTOMER DRAWING

Mouser Electronics

Authorized Distributor

Click to View Pricing, Inventory, Delivery & Lifecycle Information:

[TE Connectivity:](#)

[5406552-8](#)