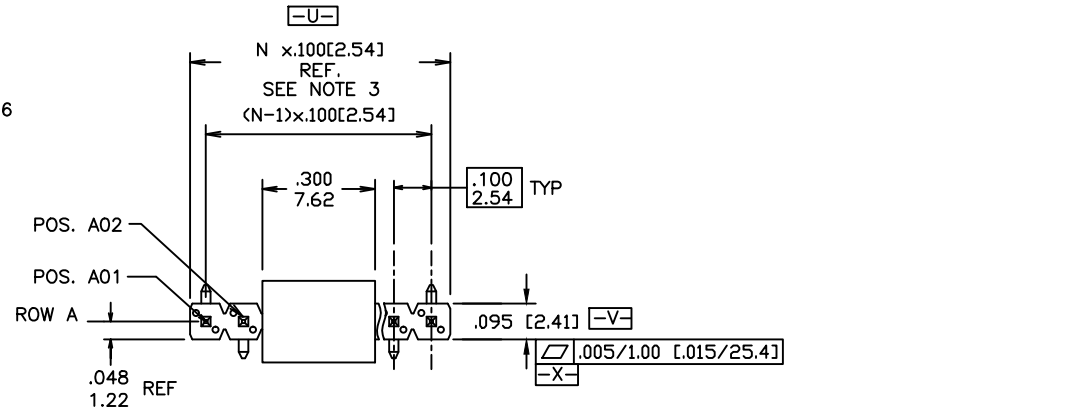


PRODUCT NUMBER  
54201 - X XX - XX - XXX

PLATING  
S=15μ"/0.38μm GOLD ON CONTACT AREA (NOTE 13) 100u"/2.54μm TIN ON TAIL  
G=30μ"/0.76μm GOLD ON CONTACT AREA (NOTE 13) 100u"/2.54μm TIN ON TAIL  
T=100μ"/2.54μm TIN ON CONTACT AREA & ON TAIL (SEE NOTE 8 & 12)  
F=2μ"/0.05μm] GOLD ON CONTACT AREA & ON TAIL

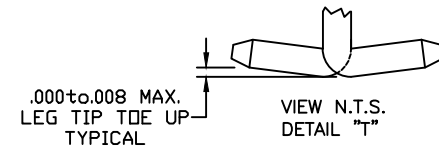
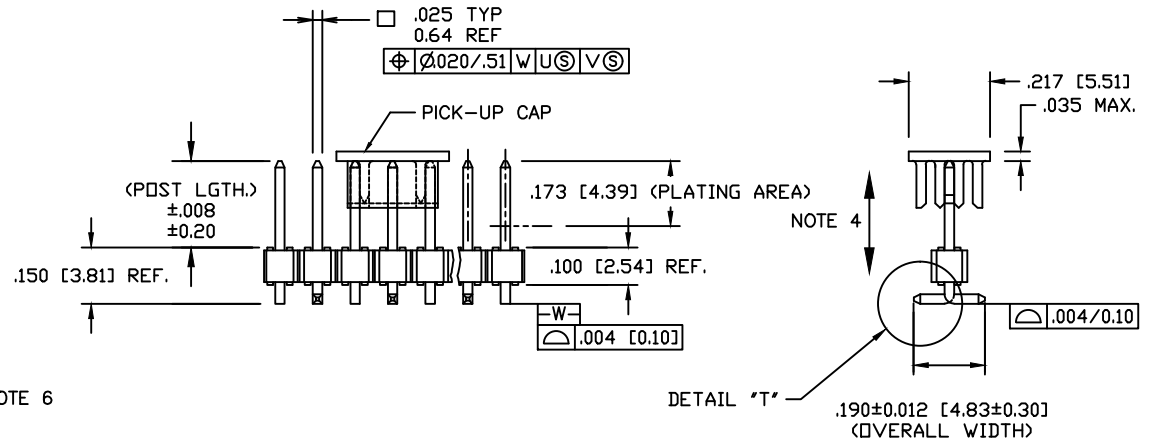
LEAD STYLE	POST LGTH.
08	0.230/5.84
30	0.318/8.08



LEAD FREE PRODUCT NUMBER  
54201 - X XX XX - XXX LF

PLATING  
S=15μ"/0.38μm GOLD ON CONTACT AREA (NOTE 13) 100u"/2.54μm TIN ON TAIL  
G=30μ"/0.76μm GOLD ON CONTACT AREA (NOTE 13) 100u"/2.54μm TIN ON TAIL  
T=100μ"/2.54μm TIN ON CONTACT AREA & ON TAIL (SEE NOTE 8 & 12)  
F=2μ"/0.05μm] GOLD ON CONTACT AREA & ON TAIL

LEAD STYLE	POST LGTH.
08	0.230/5.84
30	0.318/8.08



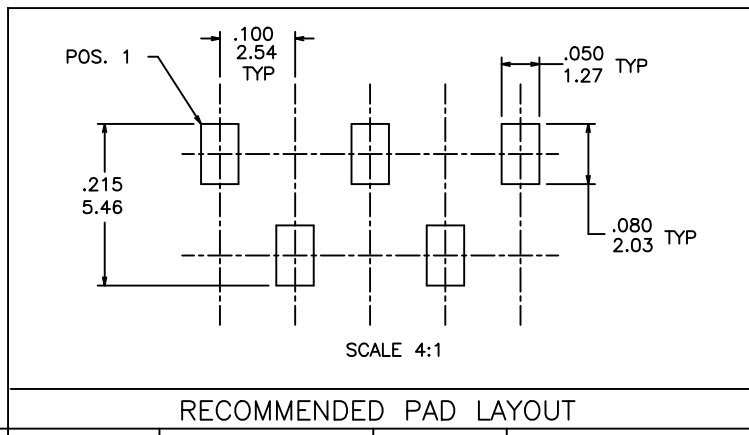
mat'l. code SEE NOTES 1 & 2		surface ISO 1302 ✓		tolerance ISO 406 ISO 1101		projection INCH/MM		product family BERGSTIK	
ltr	ecn no	dr	date	tolerances unless otherwise specified		title		sheet 1 of 3 size	
S	ELX-N-14294	DCS	2013-03-19	linear	.XX±.01/.X±0.3	.100 UNSHROUDED HDR. S/R VERT. SURF. MNT.		A3	
L	M07-0192	MHT	4/18/07	0°±2'	.XXX±.005/.XXX±0.13	scale 1:1		dwg no	
M	M08-0129	MHT	4/30/08	dr	.XXXX±.0020/.XXX±0.05	FCI		54201	
N	M08-0165	MHT	6/06/08	enr				Product Customer Drawing	
P	M08-0237	MHT	8/25/08	chr					
R	M08-0279	MHT	9/30/08	appd					
sheet	revision	S	S	S					
index	sheet	1	2	3					

TAPE AND REEL PACKAGING

SIZE	LEAD STYLE 08 POST (0.230 [5.84])	LEAD STYLE 30 POST (0.318 [8.08])
1X2	YES	NONE
1X3	↑	↑
1X4		
1X5		
1X6		
1X7		
1X8		
1X9		
1X10		
1X11		
1X12		
1X13		
1X14		
1X15		
1X16	↓	
1X17	YES	
1X18	NONE	
1X19	NONE	↓
1X20	NONE	NONE

NOTES:

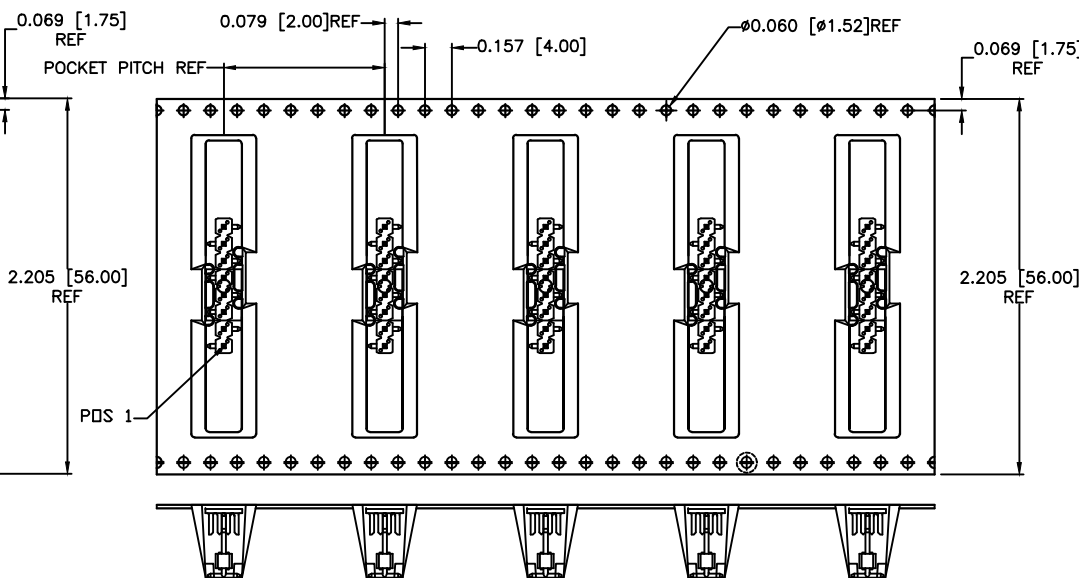
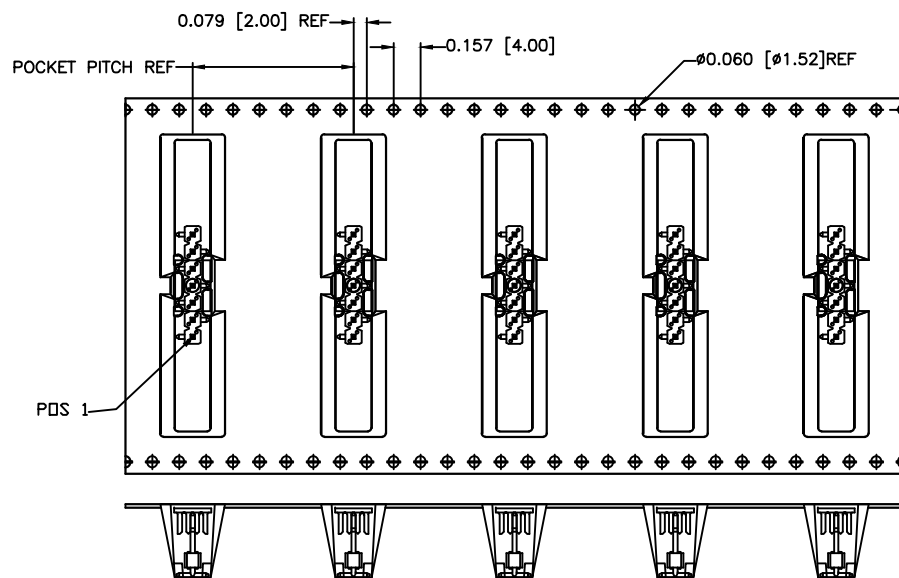
- HOUSING MAT'L: HIGH TEMPERATURE THERMOPLASTIC. UL94V-0  
COLOR: BLACK  
OR  
MINERAL FILLED LCP FLAME RETARDENT  
PER UL-94V-0. COLOR: BLACK.
- PIN MATERIAL: PHOSPHOR-BRONZE
- TO DETERMINE DIMENSIONS:  
N = NUMBER OF POSITIONS PER ROW.  
EXAMPLE: 10 POS., N x .100/2.54=1.00/25.4
- 2LBS/0.9KG MIN. PIN RETENTION IN EITHER DIRECTION.
- PACKAGING: - = POLY BAGS  
P = TUBES WITH PICKUP CAPS.  
A = TAPE AND REEL WITH PICKUP CAPS.
- FOR POLARIZATION, SPECIFY POSITION NUMBER (i.e. A03=ROW A POS. 3)  
TO OMIT PIN. IF THIS FEATURE IS NOT APPLICABLE, OMIT FROM PROD. NO..  
PRODUCT MANAGEMENT APPROVAL IS REQUIRED PRIOR TO THE  
RELEASE OR SALE OF POLARIZED PRODUCTS.
- UNDERPLATING: 50μ"/1.27μm Ni.
- PIN TIPS ON Sn PLATED PRODUCT MAY HAVE BARE METAL ON TOW SIDES,  
BOTH ENDS.
- PART NUMBERS WITH "LF" AT THE END ARE LEAD FREE.
- THIS PRODUCT MEETS EUROPEAN UNION DIRECTIVES AND OTHER  
COUNTRY REGULATION AS DESCRIBED IN GS-22-008.
- THE HOUSING WILL WITHSTAND EXPOSURE TO 260°C PEAK TEMPERATURE  
FOR 20 SECONDS IN A CONVECTION, INFRA-RED OR VAPOR PHASE REFLOW  
OVEN. SEE APPLICATION NOTES/PROCEDURES IF THEY ARE AVAILABLE.
- "THIS PRODUCT HAS 100% PURE TIN PLATING IN THE INTERFACE AND  
HAS NOT BEEN TESTED FOR WHISKER GROWTH IN ALL INTERCONNECT  
ENVIRONMENTS."
- PLATING OPTIONS:  
MAY BE EITHER GOLD OR GXT PLATED AT MANUFACTURER'S OPTION.



mat'l. code		surface ISO 1302	tolerance ISO 406 ISO 1101	projection 	product family BERGSTIK
ltr	ecn no	dr	date	tolerances unless otherwise specified	title
S				linear XXX±.01/XXX.03 XXX±.005/XXX±0.13 XXX±.0020/XXX±0.05	.100 UNSHROUDED HDR. S/R VERT. SURF. MNT.
				angles 0°±2'	INCH/MM
				dr	scale 1:1
				engr	
				chr	
				appd	
sheet index	revision sheet				dwg no 54201
					sheet 2 of 3 size A3
					type Product Customer Drawing

CARRIER FOR ODD NUMBERS OF ROWS

CARRIER FOR EVEN NUMBERS OF ROWS



UN-REELING DIRECTION OF FEED

UN-REELING DIRECTION OF FEED



Copyright FCI

mat'l. code		surface ISO 1302	tolerance ISO 406 ISO 1101	projection 	product family BERGSTIK
ltr	ecn no	dr	date	tolerances unless otherwise specified	title
S				linear XXX±.01/XX±0.3 XXX±.005/XXX±0.13 XXX±.0020/XXX±0.05	.100 UNSHROUDED HDR. S/R VERT. SURF. MNT.
				angles 0°±2'	INCH/MM
				dr	scale 1:1
				enr	
				chr	
				appd	
sheet index	revision sheet				dwg no 54201
					sheet 3 of 3 size A3
					type Product Customer Drawing

# Mouser Electronics

Authorized Distributor

Click to View Pricing, Inventory, Delivery & Lifecycle Information:

[FCI:](#)

[54201-S08-04](#) [54201-S08-05](#) [54201-S08-17](#) [54201-T0803ALF](#) [54201-T08-04](#) [54201-T0805ALF](#) [54201-T08-06](#)  
[54201-T0806ALF](#) [54201-T08-16](#) [54201-G0804ALF](#) [54201-S0804ALF](#) [54201-T08-03](#) [54201-G0803ALF](#) [54201-G08-](#)  
[14](#) [54201-T3005LF](#) [54201-S30-13](#) [54201-S3006LF](#) [54201-S08-05ALF](#) [54201-T0802LF](#)