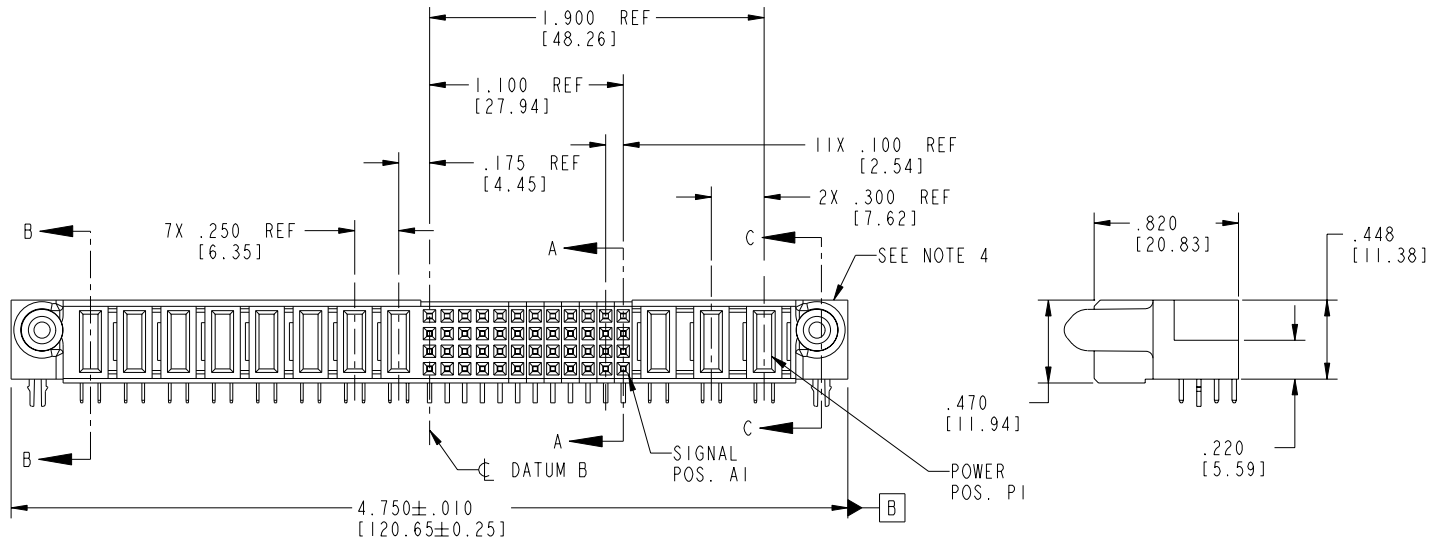


Tous droits strictement réservés. Reproduction ou communication a des tiers interdite sous quelque forme que ce soit sans autorisation écrite du propriétaire. Propriété de c FCI. Droits de reproduction FCI.

All rights strictly reserved. Reproduction or issue to third parties in any form whatever is not permitted without written authority from the proprietor. Property of FCI. Copyright FCI.

PRODUCT NO.	ROWS	POWER								SIGNAL								POWER								
		E2	P11	P10	P9	P8	P7	P6	P5	P4	12	11	10	9	8	7	6	5	4	3	2	1	P3	P2	P1	E1
51915-026-- NOTE:3	D C B A		PA	PA	PA	PA	PA	PA	PA	PA	H	H	H	H	H	H	H	H	H	H	H	H	PA	PA	PA	
		G	G	G	G	G	G	G	G	G	F	F	F	F	F	F	F	F	F	F	F	F	F	F	F	F
		E	E	E	E	E	E	E	E	E	E	E	E	E	E	E	E	E	E	E	E	E	E	E	E	E



CODE	DIM "M" MATING LENGTH	CONTACT TYPE
E	N/A [N/A]	SIGNAL
F	N/A [N/A]	SIGNAL
G	N/A [N/A]	SIGNAL
H	N/A [N/A]	SIGNAL
PA	.042 [1.07]	POWER
HA	N/A [N/A]	HOLD-DOWN

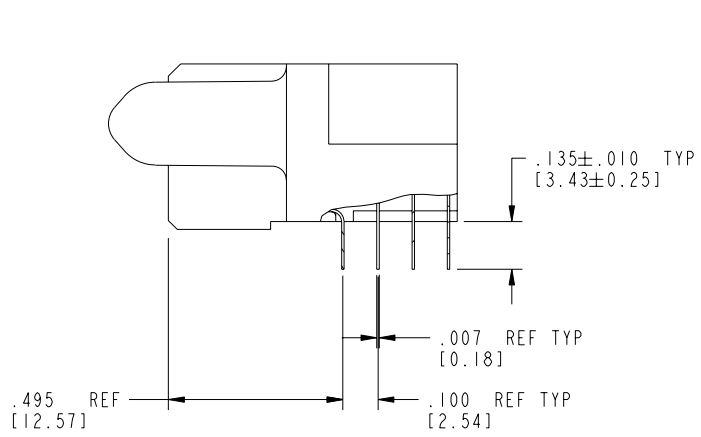
mat'l code SEE NOTE 2				tolerances unless otherwise specified		CUSTOMER		 www.fciconnect.com	
ltr	ecn no.	dr	date	linear	projection	COPY		title	
A	V03-0530	TAB	05/09/03	.XX±.01/0.X±0.3	⊕			3ACP + 48S + 8P	
B	V03-0715	MEM	6/27/03	.XXX±.005/0.XX±0.13	⊕			R/A SOLDER RECEPTACLE	
C	DG05-0365	CS	09/28/05	.XXXX±.0020/0.XXX±0.051	⊕			product family PwrBlade code 213	
				angles	scale			size dwg no	
				dr	1:1			A 51915-026	
				enrg					sheet 1 of 4
				chr					
				appd					
sheet index		revision	C	C	C	C	C		
		sheet	1	2	3	4			

cage code 22526 4

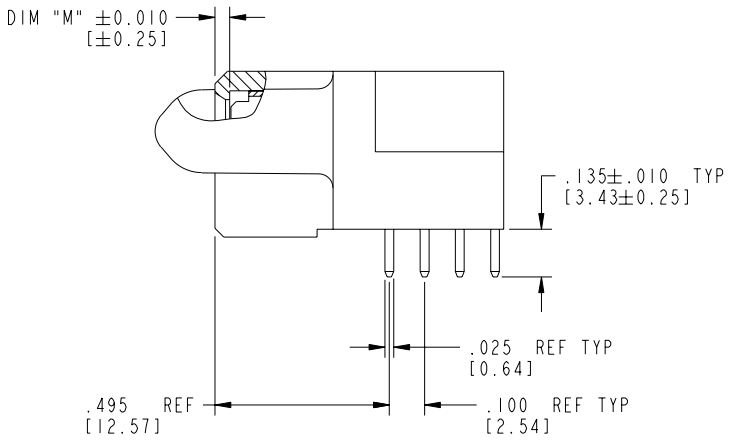
Tous droits strictement réservés. Reproduction ou communication a des tiers interdite sous quelque forme que ce soit sans autorisation écrite du propriétaire. Propriété de c FCI. Droits de reproduction FCI.

All rights strictly reserved. Reproduction or issue to third parties in any form whatever is not permitted without written authority from the proprietor. Property of FCI. Copyright FCI.

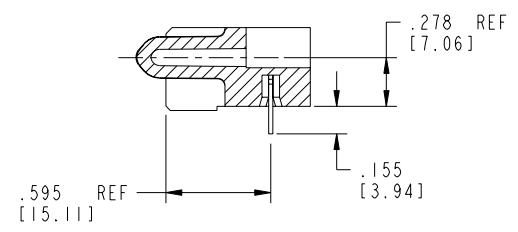
PRODUCT NUMBER
51915-026__
NOTE: 3



BROKEN-OUT SECTION A-A
SCALE 2:1



BROKEN-OUT SECTION B-B
SCALE 2:1



SECTION C-C

mat'l code		SEE NOTE 2		tolerances unless otherwise specified		CUSTOMER		 www.fciconnect.com	
ltr	ecn no.	dr	date	linear	.XX±.01/0.X±0.3	COPY		projection	title
C				angles	.XXX±.005/0.XX±0.13	INCH/MM			3ACP + 48S + 8P R/A SOLDER RECEPTACLE
				dr	.XXX±.0020/0.XXX±0.051	scale		product family	code
				enrg	0°±2°	1:1		PwrBlade	213
				chr				size	sheet
				appd				A	2 of 4
								dwg no	
								51915-026	
sheet index	revision sheet								

cage code 22526

Pro/E

PDM: Rev:C

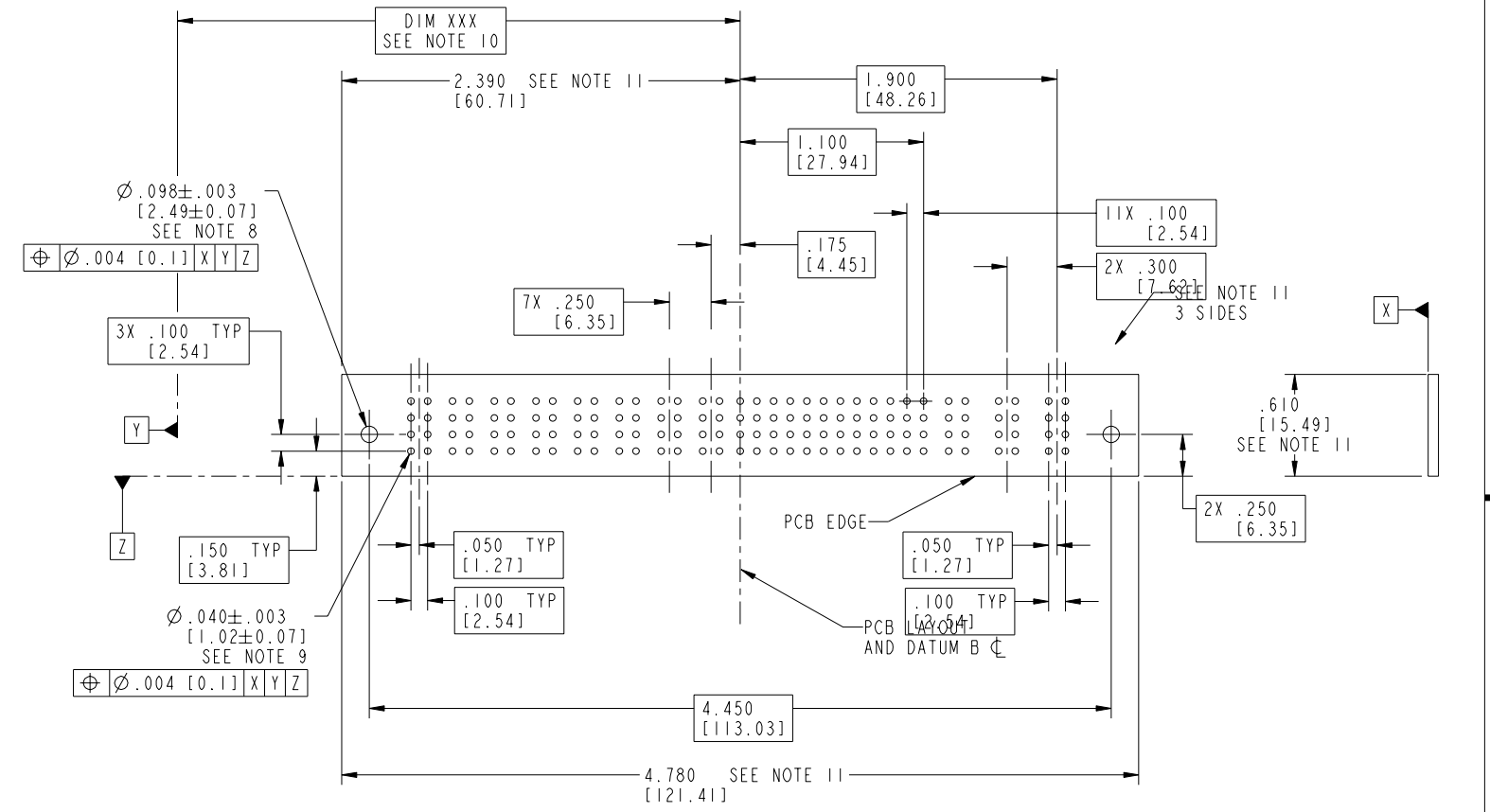
STATUS: Released

Printed: Dec 20, 2010

Tous droits strictement réservés. Reproduction ou communication à des tiers interdite sous quelque forme que ce soit sans autorisation écrite du propriétaire. Propriété de c FCI. Droits de reproduction FCI.

All rights strictly reserved. Reproduction or issue to third parties in any form whatever is not permitted without written authority from the proprietor. Property of FCI. Copyright FCI.

PRODUCT NUMBER
51915-026__
NOTE: 3



mat'l code		SEE NOTE 2		tolerances unless otherwise specified		CUSTOMER		 www.fciconnect.com	
ltr	ecn no.	dr	date	linear	.XX±.01/0.X±0.3	COPY		projection	
C					.XXX±.005/0.XX±0.13			title	
				angles	.XXX±.002/0.XX±0.051			3ACP + 48S + 8P	
				dr	0°±2°			R/A SOLDER RECEPTACLE	
				enrg	T. BRUNGARD 05/09/03	INCH/MM		product family	
				chr	M. MOSTOLLER 05/09/03	1:1		PwrBlade	
				appd	M. MOSTOLLER 05/09/03			code	
sheet index	revision sheet							213	
								sheet 3 of 4	

cage code 22526 4

Pro/E

PDM: Rev:C

STATUS: Released

Printed: Dec 20, 2010

Tous droits strictement réservés. Reproduction ou communication à des tiers interdite sous quelque forme que ce soit sans autorisation écrite du propriétaire. Propriété de c FCI. Droits de reproduction FCI.

FCI

All rights strictly reserved. Reproduction or issue to third parties in any form whatever is not permitted without written authority from the proprietor. Property of FCI. Copyright FCI.

1 | 2

3 |

4

PRODUCT NUMBER
51915-026__
NIOTE:3

NOTES:

1. DIMENSIONS AND TOLERANCES ARE IN ACCORDANCE WITH ASME Y14.5M, 1994 UNLESS OTHERWISE SPECIFIED.

CONNECTOR NOTES:

(2) HOUSING MATERIAL: UL 94 V-0 GLASS FILLED
HIGH-TEMP THERMOPLASTIC
POWER CONTACT MATERIAL: COPPER ALLOY
SIGNAL PIN MATERIAL: COPPER ALLOY

3. PLATING:

51915-026 Singal Pin: 30u"/0.76um Au OVER 50u"/1.27um Ni ON THE CONTACT AREA,
AND 100u"/2.54um SnPb PLATING OVER 50u"/1.27um Ni ON THE TERMINATION SECTION.
Power Pin: 30u"/0.76um Au OVER 50u"/1.27um Ni ON THE CONTACT AREA,
AND 100u"/2.54um SnPb PLATING OVER 50u"/1.27um Ni ON THE TERMINATION SECTION.

51915-026LF Singal Pin: 30u"/0.76um Au OVER 50u"/1.27um Ni ON THE CONTACT AREA,
AND 78u"/2.00um Sn PLATING OVER 50u"/1.27um Ni ON THE TERMINATION SECTION.
Power Pin: 30u"/0.76um Au OVER 50u"/1.27um Ni ON THE CONTACT AREA,
AND 78u"/2.00um Sn PLATING OVER 50u"/1.27um Ni ON THE TERMINATION SECTION.

PART NUMBER 51915-026LF MEETS EUROPEAN UNION DIRECTIVE AND OTHER COUNTRY REGULATIONS AS DESCRIBED IN GS-22-008.

THE HOUSING WILL WITHSTAND EXPOSURE TO 260° PEAK TEMPERATURE FOR 10 SECONDS IN A WAVE SOLDER APPLICATION WITH A CIRCUIT BOARD.

(4) MANUFACTURER'S NAME, P/N, AND DATE CODE TO APPEAR ON THIS SURFACE.

5. PRODUCT SPECIFICATION GS-12-149.
APPLICATION SPECIFICATION BUS-20-067.

6. PACKAGED IN TRAYS.

PCB NOTES:

7. ALL HOLE DIAMETERS ARE FINISHED HOLE SIZE.

(8) MOUNTING HOLES, WHERE APPLICABLE, ARE UNPLATED.

(9) Ø .0453±.0010 [1.151±0.025] DRILLED HOLES PLATED WITH .0003 [0.008] MIN SnPb OVER .001 [0.03] TO .003 [0.08] Cu PLATING TO ACHIEVE Ø .040±.003 [1.02±.07] HOLE.

(10) "DIM XXX" TO BE DETERMINED BY THE CUSTOMER.

(11) CONNECTOR KEEP-OUT ZONE.

mat'l code		SEE NOTE 2		tolerances unless otherwise specified		CUSTOMER		FCI www.fciconnect.com	
ltr	ecn no.	dr	date	linear	.XX±.01/0.X±0.3	COPY		projection	title
C					.XXX±.005/0.XX±0.13				3ACP + 48S + 8P
				angles	.XXX±.0020/0.XXX±0.051				R/A SOLDER RECEPTACLE
				dr	0° ± 2°				product family
				enr	T. BRUNGARD 05/09/03	INCH/MM			PwrBlade
				chr	M. MOSTOLLER 05/09/03	scale		A	code
				appd	M. MOSTOLLER 05/09/03	1:1		size	213
								dwg no	4 of 4
								51915-026	sheet
sheet index	revision sheet								4 of 4

1 | 2

3 |

4

Pro/E

cage code 22526

PDM: Rev:C

STATUS: Released

Printed: Dec 20, 2010

Mouser Electronics

Authorized Distributor

Click to View Pricing, Inventory, Delivery & Lifecycle Information:

[FCI:](#)

[51915-026](#)