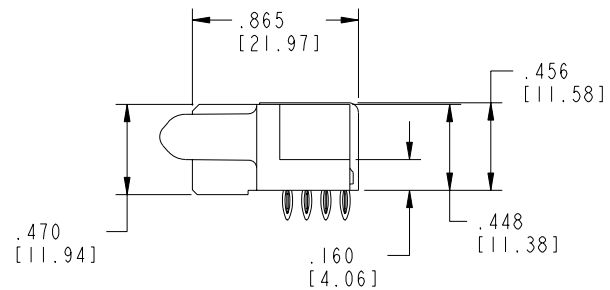
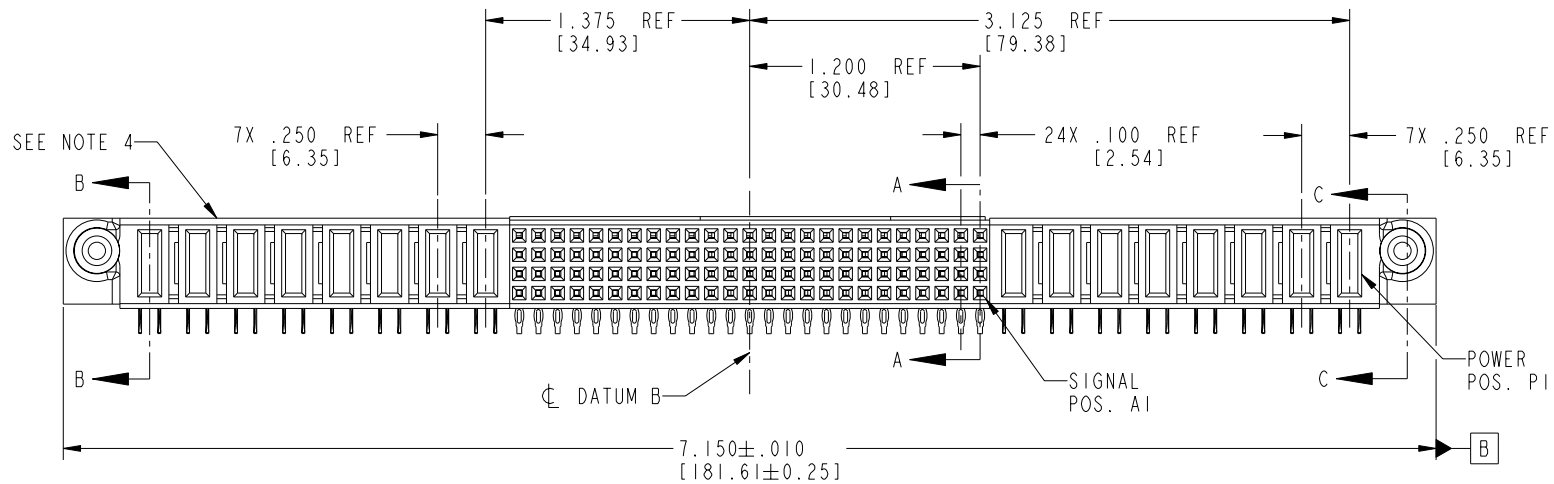
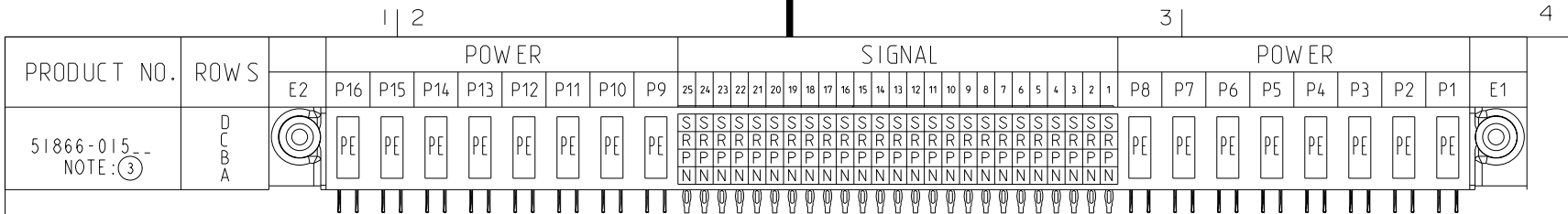


Tous droits strictement réservés. Reproduction ou communication a des tiers interdite sous quelque forme que ce soit sans autorisation écrite du propriétaire. Propriété de c FCI. Droits de reproduction FCI.

All rights strictly reserved. Reproduction or issue to third parties in any form whatever is not permitted without written authority from the proprietor. Property of FCI. Copyright FCI.

FCI



CODE	DIM "M" MATING LENGTH	CONTACT TYPE
N	N/A [N/A]	SIGNAL
P	N/A [N/A]	SIGNAL
R	N/A [N/A]	SIGNAL
S	N/A [N/A]	SIGNAL
PE	.042 [1.07]	POWER

mat'l code				SEE NOTE 2		tolerances unless otherwise specified		CUSTOMER		 www.fciconnect.com	
ltr	ecn no.	dr	date	linear	.XX±.01/0.X±0.3	projection		COPY		title	
A	V21914	CGD	12/31/02		.XX±.005/0.XX±0.13			A		8P + 100S + 8P	
B	DG05-0201	GuoJM	07/04/05	angles	.XXX±.0020/0.XXX±0.051			INCH/MM		R/A PRESS-FIT RECEPTACLE	
					0° ± 2°	scale		1:1		product family	
				dr	C. DAILY 12/31/02			A		PwrBlade	
				engr	M. MOSTOLLER 12/31/02			size		code	
				chr	M. MOSTOLLER 12/31/02			A		213	
				appd	M. MOSTOLLER 12/31/02			51866-015		sheet	
sheet index	revision sheet	B 1	B 2	B 3	B 4					1 of 4	

Pro/E

PDM: Rev: B

STATUS: **Released**

Printed: Oct 08, 2006

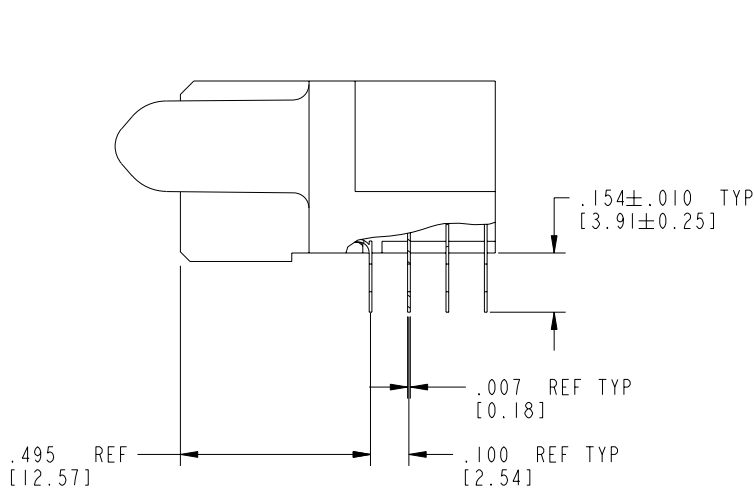
code code 22526

Tous droits strictement réservés. Reproduction ou communication a des tiers interdite sous quelque forme que ce soit sans autorisation écrite du propriétaire. Propriété de c FCI. Droits de reproduction FCI.

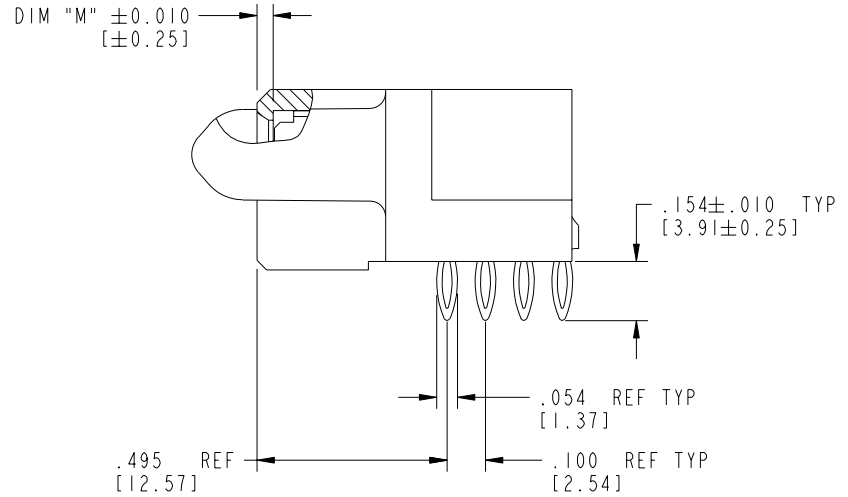
All rights strictly reserved. Reproduction or issue to third parties in any form whatever is not permitted without written authority from the proprietor. Property of FCI. Copyright FCI.

FCI

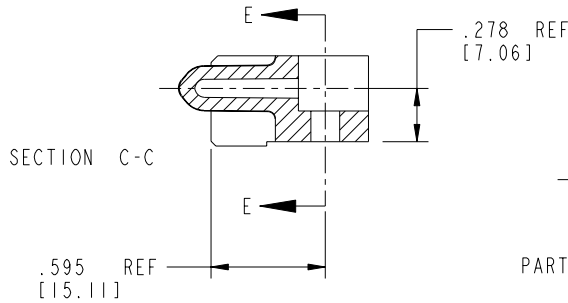
PRODUCT NUMBER
51866-015__
NOTE: ③



BROKEN-OUT SECTION A-A
SCALE 2:1



BROKEN-OUT SECTION B-B
SCALE 2:1



PARTIAL SECTION E-E

mat'l code		SEE NOTE 2		tolerances unless otherwise specified		CUSTOMER		FCI		www.fciconnect.com	
ltr	ecn no.	dr	date	linear	.XX±.01/0.X±0.3	COPY		projection		title	
B					.XXY±.005/0.XX±0.13	INCH/MM		R/A		8P + 100S + 8P	
				angles	.XXX±.0020/0.XXX±0.051	scale		product family		code	
				dr	0°±2°	1:1		PwrBlade		213	
				engr				size		sheet	
				chr				A		2 of 4	
				appd				51866-015			
sheet index	revision sheet										

Pro/E

PDM: Rev: B

STATUS: **Released**

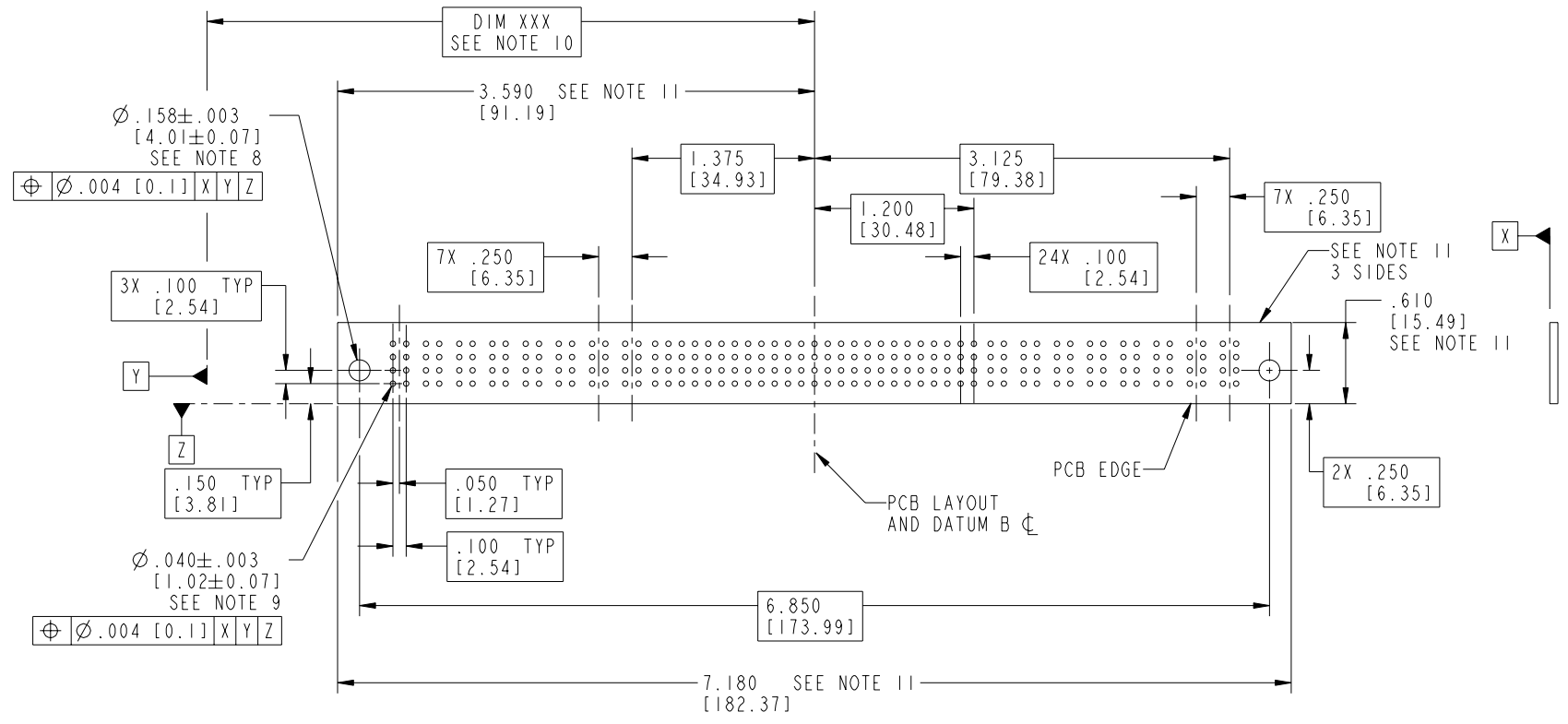
Printed: Oct 08, 2006

Tous droits strictement réservés. Reproduction ou communication a des tiers interdite sous quelque forme que ce soit sans autorisation écrite du propriétaire. Propriété de c FCI. Droits de reproduction FCI.

All rights strictly reserved. Reproduction or issue to third parties in any form whatever is not permitted without written authority from the proprietor. Property of FCI. Copyright FCI.

FCI

PRODUCT NUMBER
51866-015__
NOTE:③



mat'l code		SEE NOTE 2		tolerances unless otherwise specified		CUSTOMER		FCI		www.fciconnect.com	
ltr	ecn no.	dr	date	linear	.XX±.01/0.X±0.3	projection	COPY		title		
B					.XX±.005/0.XX±0.13				8P + 100S + 8P		
				angles	.XXX±.0020/0.XXX±0.051				R/A PRESS-FIT RECEPTACLE		
				dr	0°+2°	INCH/MM	product family		PwrBlade		
				engr	C. DAILY 12/31/02	scale	size		code		
				chr	M. MOSTOLLER 12/31/02	3:4	dwg no		213		
				appd	M. MOSTOLLER 12/31/02		A		sheet		
sheet index		revision sheet						51866-015		3 of 4	

Pro/E

PDM: Rev:B

STATUS: **Released**

Printed: Oct 08, 2006

1 | 2

3 |

4

A

A

B

B

1 | 2

code code 22526

4

PRODUCT NUMBER

51866-015__
NOTE:③

NOTES:

1. DIMENSIONS AND TOLERANCES ARE IN ACCORDANCE WITH ASME Y14.5M, 1994 UNLESS OTHERWISE SPECIFIED.

CONNECTOR NOTES:

② HOUSING MATERIAL: UL 94 V-0 GLASS FILLED
HIGH-TEMP THERMOPLASTIC
POWER CONTACT MATERIAL: COPPER ALLOY
SIGNAL PIN MATERIAL: COPPER ALLOY

3. PLATING:

51866-015 Singal Pin:30u"/0.76um Au OVER 50u"/1.27um Ni ON THE CONTACT AREA,
AND 100u"/2.54um SnPb PLATING OVER 50u"/1.27um Ni ON THE TERMINATION SECTION.
Power Pin:30u"/0.76um Au OVER 50u"/1.27um Ni ON THE CONTACT AREA,
AND 100u"/2.54um SnPb PLATING OVER 50u"/1.27um Ni ON THE TERMINATION SECTION.

51866-015LF Singal Pin:30u"/0.76um Au OVER 50u"/1.27um Ni ON THE CONTACT AREA,
AND 78u"/2.00um Sn PLATING OVER 50u"/1.27um Ni ON THE TERMINATION SECTION.
Power Pin:30u"/0.76um Au OVER 50u"/1.27um Ni ON THE CONTACT AREA,
AND 78u"/2.00um Sn PLATING OVER 50u"/1.27um Ni ON THE TERMINATION SECTION.

PART NUMBER 51866-015LF MEETS EUROPEAN UNION DIRECTIVE AND OTHER COUNTRY REGULATIONS AS DESCRIBED IN GS-22-008.

THE HOUSING WILL WITHSTAND EXPOSURE TO 260° PEAK TEMPERATURE FOR 10 SECONDS IN A WAVE SOLDER APPLICATION WITH A CIRCUIT BOARD.

④ MANUFACTURER'S NAME, P/N, AND DATE CODE TO APPEAR ON THIS SURFACE.

5. PRODUCT SPECIFICATION GS-12-149.
APPLICATION SPECIFICATION BUS-20-067.

6. PACKAGED IN TRAYS.

PCB NOTES:

7. ALL HOLE DIAMETERS ARE FINISHED HOLE SIZE.


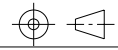
⑧ MOUNTING HOLES, WHERE APPLICABLE, ARE UNPLATED.

⑨ $\varnothing .0453 \pm .0010$ [1.151 \pm 0.025] DRILLED HOLES PLATED WITH .0003 [0.008] MIN SnPb OVER .001 [0.03] TO .003 [0.08] Cu PLATING TO ACHIEVE $\varnothing .040 \pm .003$ [1.02 \pm .07] HOLE.

⑩ "DIM XXX" TO BE DETERMINED BY THE CUSTOMER.

⑪ CONNECTOR KEEP-OUT ZONE.

12. USE FCI CAM TOOL 430140-XXX TO APPLY CONNECTOR TO PCB.

mat'l code				SEE NOTE 2		tolerances unless otherwise specified		CUSTOMER		 www.fciconnect.com		
ltr	ecn no.	dr	date	linear	.XX±.01/0.X±0.3		COPY		title			
B					.XXX±.005/0.XX±0.13		projection		8P + 100S + 8P			
				angles	.XXX±.0020/0.XXX±0.051				R/A PRESS-FIT RECEPTACLE			
					0° ± 2°		INCH/MM		product family		code	
				dr	C. DAILY	12/31/02	scale		PwrBlade		213	
				engr	M. MOSTOLLER	12/31/02	1:1		size		sheet	
				chr	M. MOSTOLLER	12/31/02	A		51866-015		4 of 4	
				appd	M. MOSTOLLER	12/31/02						
sheet index		revision sheet										

Tous droits strictement réservés. Reproduction ou communication a des tiers interdite sous quelque forme que ce soit sans autorisation écrite du propriétaire. Propriete de c FCI. Droits de reproduction FCI.

FCI

All rights strictly reserved. Reproduction or issue to third parties in any form whatever is not permitted without written authority from the proprietor. Property of FCI. Copyright FCI.

A

A

B

B

Mouser Electronics

Authorized Distributor

Click to View Pricing, Inventory, Delivery & Lifecycle Information:

[FCI:](#)

[51866-015](#)