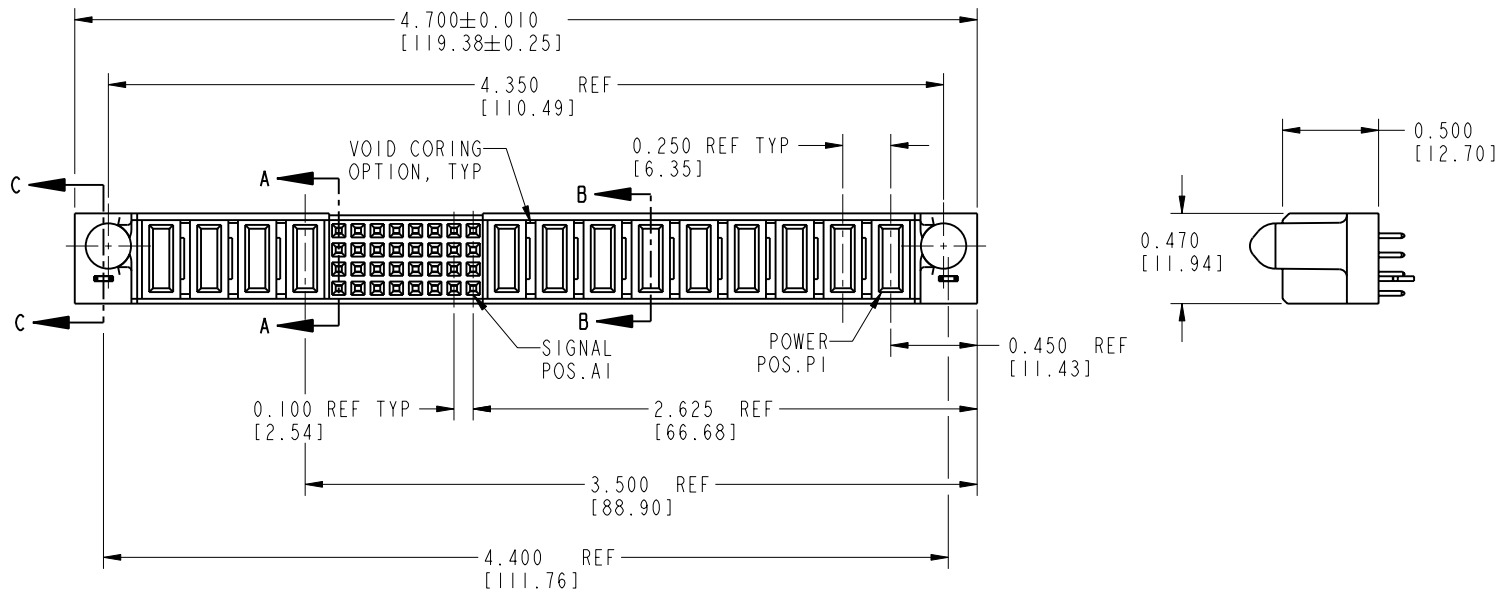


Tous droits strictement réservés. Reproduction ou communication o des liers interalle sous quelque forme que ce soit sans autorisation écrite du propriétaire. Propriete de c FCI. Droits de reproduction FCI.

All rights strictly reserved. Reproduction or issue to third parties in any form, whenever is not permitted without written authority from the proprietor. Property of FCI. Copyright FCI.



PRODUCT No.	ROWS	POWER				SIGNAL								POWER										
51633-001-- NOTE: 2	D C B A	F2	P13	P12	P11	P10	8	7	6	5	4	3	2	1	P9	P8	P7	P6	P5	P4	P3	P2	P1	F1
			PA	PA	PA	PA	E	E	E	E	E	E	E	E	PA	PA	PA	PA	PA	PA	X	PA	PA	



CODE	CONTACT TYPE
E	SIGNAL
PA	POWER
HA	HOLD-DOWN
X	OMITTED

mat'l code				NOTE 1		tolerances unless otherwise specified		CUSTOMER COPY		 www.fciconnect.com				
lfr	ecn no.	dr	date	linear	.XX±.01/.X±.3		projection		title					
H	DG05-0375	GuoJM	10/07/05		.XXX±.005/.XX±.13				9P + 32S + 4P VERTICAL SOLDER RECEPTACLE					
					angles	.XXX±.0020/.XXX±.050		INCH / MM		product family		code		
						0°±2°		 1:1		PwrBlade		213		
sheet index		revision sheet	H	H	H					size		dwg no	SHEET	
		1	2	3							A		1 OF 3	

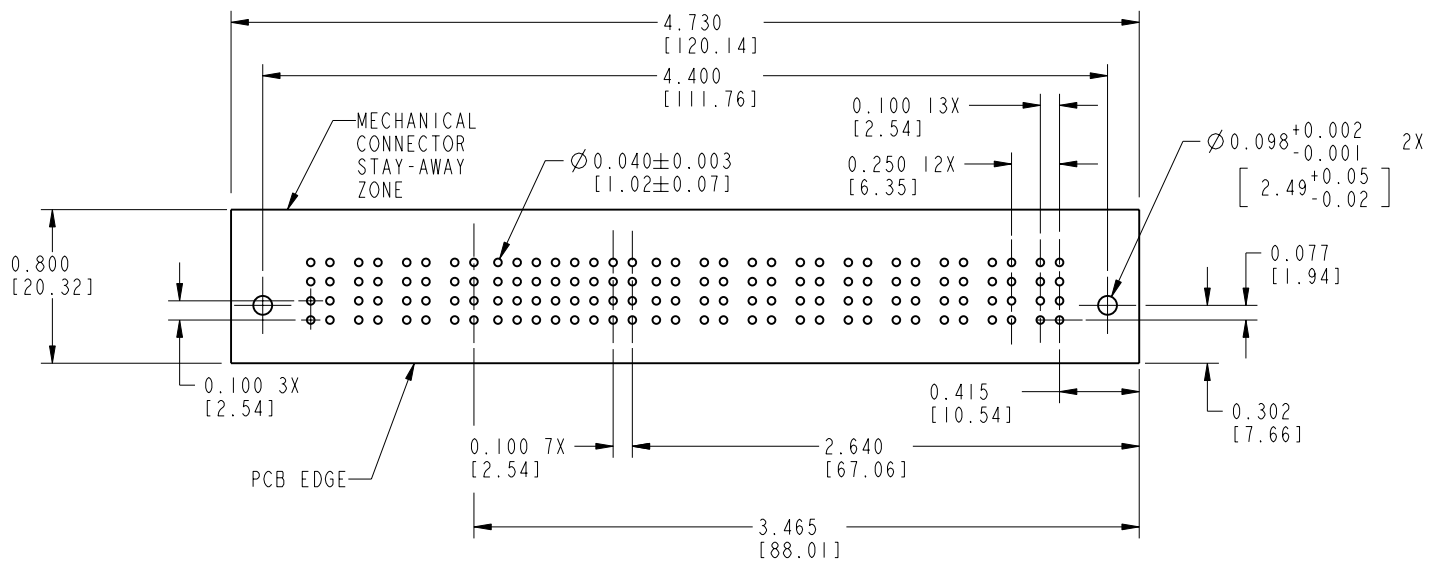
form no. 7530-001-103

code code 22526

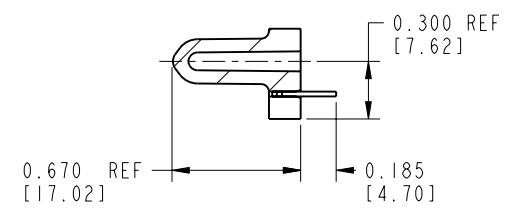
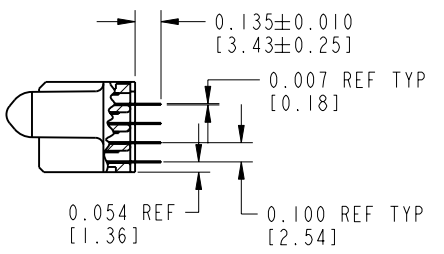
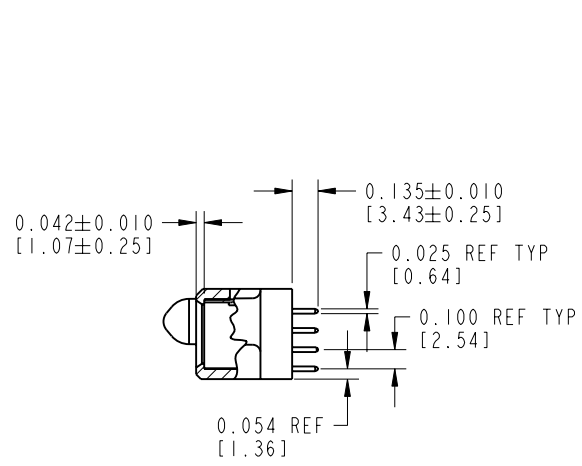
Tous droits strictement réservés. Reproduction ou communication o des liens interdite sous quelque forme que ce soit sans autorisation écrite du propriétaire. Propriete de c FCI. Droits de reproduction FCI.

All rights strictly reserved. Reproduction or issue to third parties in any form, whomever is not permitted without written authority from the proprietor. Property of FCI. Copyright FCI.

PRODUCT NUMBER  
51633-001--  
NOTE: 2



RECOMMENDED PCB LAYOUT



mat'l code				tolerances unless otherwise specified		CUSTOMER COPY	FCI www.fciconnect.com		
lfr	ecr no.	dr	date	linear	.XX±.01/.X±.3	projection	title		
H					.XXX±.005/.XX±.13		INCH / MM	9P + 32S + 4P	
				angles	.XXX±.0020/.XXX±.050			VERTICAL SOLDER RECEPTACLE	
				dr	C. BAROT 03/08/99	scale	product family	Pwr Blade	
				engr	J. BROWN 03/08/99	1:1	size	51633	
				chr	J. BROWN 03/08/99		dwg no	213	
				appd	J. BROWN 03/08/99		A	SHEET 2	
sheet index	revision sheet								

Tous droits strictement réservés. Reproduction ou communication o des liers interdite sous quelque forme que ce soit sans autorisation écrite du propriétaire. Propriete de c FCI. Droits de reproduction FCI.



All rights strictly reserved. Reproduction or issue to third parties in any form, whenever is not permitted without written authority from the proprietor. Property of FCI. Copyright FCI.

PRODUCT NUMBER		51633-001 --	
NOTE: 2			
CONNECTOR NOTES:			
1. HOUSING MATERIAL: GLASS FILLED HIGH TEMP THERMOPLASTIC, UL94 V-0 SIGNAL CONTACT MATERIAL: COPPER ALLOY POWER CONTACT MATERIAL: COPPER ALLOY			
2. PLATING:			
51633-001 Singal Pin: 30u"/0.76um Au OVER 50u"/1.27um Ni ON THE CONTACT AREA, AND 100u"/2.54um SnPb PLATING OVER 50u"/1.27um Ni ON THE TERMINATION SECTION. Power Pin: 30u"/0.76um Au OVER 50u"/1.27um Ni ON THE CONTACT AREA, AND 100u"/2.54um SnPb PLATING OVER 50u"/1.27um Ni ON THE TERMINATION SECTION.			
51633-001LF Singal Pin: 30u"/0.76um Au OVER 50u"/1.27um Ni ON THE CONTACT AREA, AND 78u"/2.00um Sn PLATING OVER 50u"/1.27um Ni ON THE TERMINATION SECTION. Power Pin: 30u"/0.76um Au OVER 50u"/1.27um Ni ON THE CONTACT AREA, AND 78u"/2.00um Sn PLATING OVER 50u"/1.27um Ni ON THE TERMINATION SECTION.			
PART NUMBER 51633-001LF MEETS EUROPEAN UNION DIRECTIVE AND OTHER COUNTRY REGULATIONS AS DESCRIBED IN GS-22-008.			
THE HOUSING WILL WITHSTAND EXPOSURE TO 260° PEAK TEMPERATURE FOR 10 SECONDS IN A WAVE SOLDER APPLICATION WITH A CIRCUIT BOARD.			
3. MANUFACTURER NAME, P/N, AND DATE CODE TO APPEAR ON THIS SURFACE.			
PCB NOTES:			
4. ALL DIMENSIONS ARE BASIC UNLESS OTHERWISE SPECIFIED.			
5. ALL THROUGH HOLES ARE LOCATED WITH A TRUE POSITION OF 0.004 [0.10]			
6. ALL HOLE DIAMETERS ARE FINISHED HOLE SIZE			
7. Ø0.098 [2.49] THROUGH HOLES ARE UNPLATED			
8. Ø0.0453±0.0010 [1.151±0.025] DRILLED HOLES PLATED WITH 0.0003 [0.008] MIN SnPb OVER 0.001 [0.03] TO 0.003 [0.08] Cu PLATING TO ACHIEVE A Ø0.040±0.003 [1.02±0.07] HOLE.			
mat'l code		tolerances unless otherwise specified	
lfr	ecn no.	dr	date
H			
		linear	.XX±.01/.X±.3
			.XXX±.005/.XX±.13
			.XXX±.0020/.XXX±.050
		angles	0°±2°
		dr	C. BAROT 03/08/99
		engr	J. BROWN 03/08/99
		chr	J. BROWN 03/08/99
		appd	J. BROWN 03/08/99
sheet index	revision sheet		
CUSTOMER		www.fciconnect.com	
COPY		title 9P + 32S + 4P	
projection		VERTICAL SOLDER RECEPTACLE	
INCH / MM		product family PWRBLADE	
scale 1:1		code 213	
		size dwg no	
		A 51633	
		SHEET 3	

form no. 7530-001-103

cage code 22526

# Mouser Electronics

Authorized Distributor

Click to View Pricing, Inventory, Delivery & Lifecycle Information:

[FCI:](#)

[51633-001](#)