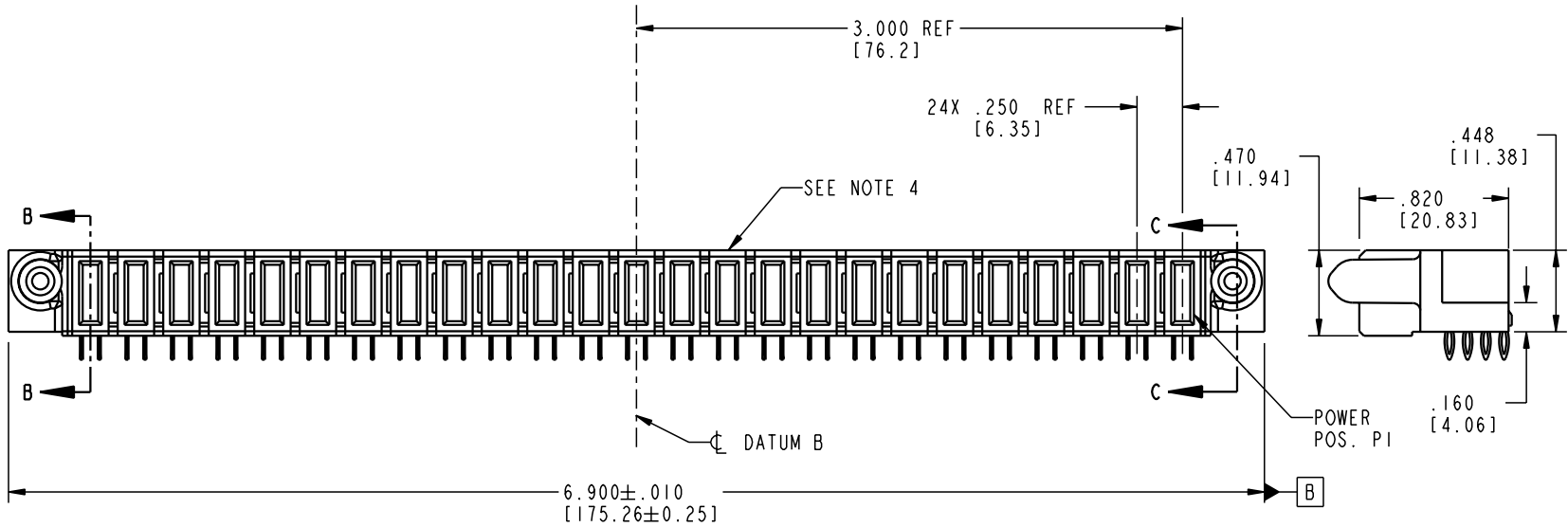


Tous droits strictement reserves. Reproduction ou communication o des liers interdite sous quelque forme que ce soit sans autorisation ecrite du proprietaire. Propriete de c FCI. Droits de reproduction FCI.

All rights strictly reserved. Reproduction or issue to third parties in any form whenever is not permitted without written authority from the proprietor. Property of FCI. Copyright FCI.

PRODUCT NO.	POWER																										
	E2	P25	P24	P23	P22	P21	P20	P19	P18	P17	P16	P15	P14	P13	P12	P11	P10	P9	P8	P7	P6	P5	P4	P3	P2	P1	E1
51866-016		PE	PE	PE	PE	PE	PE	PE	PE	PE	PE	PE	PE	PE	PE	PE	PE	PE	PE	PE	PE	PE	PE	PE	PE	PE	



CODE	DIM "M" MATING LENGTH	CONTACT TYPE
PE	.042 [1.07]	POWER

mat'l code SEE NOTE 2				tolerances unless otherwise specified				CUSTOMER				
ltr	ecn no.	dr	date	linear	.XX±.01/0.X±0.3			COPY		www.fciconnect.com		
A	V03-0011	TAB	01/09/03		.XXX±.005/0.XX±0.13			projection		title 25P		
					.XXX±.0020/0.XXX±0.051					R/A PRESS-FIT RECEPTACLE		
				angles	0° ± 2°			INCH/MM		product family PwrBlade code 213		
				dr	T. BRUNGARD	01/09/03	scale 1:1		size		sheet 1 of 4	
				enr	M. MOSTOLLER	mm/dd/yy			dwg no			
				chr	M. MOSTOLLER	01/09/03			A		51866-016	
				appd	M. MOSTOLLER	01/09/03						
sheet index	revision sheet	A	A	A	A							
		1	2	3	4							

1 | 2 Pro/E 3 | cage code 22526 4

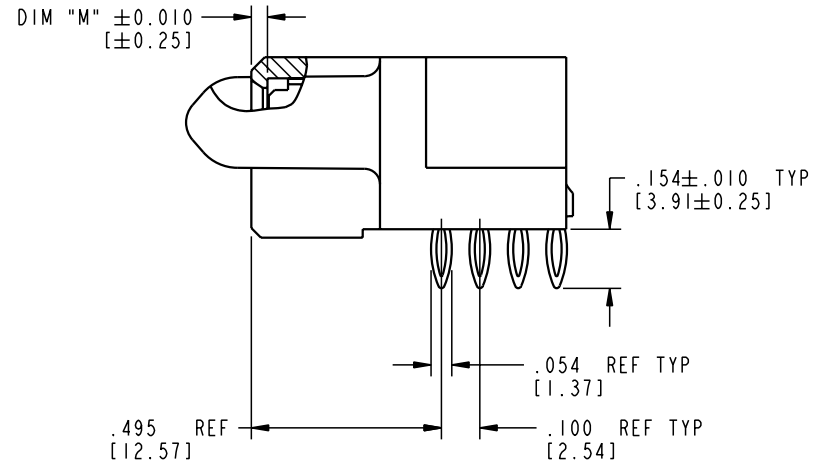
Tous droits strictement reserves. Reproduction ou communication a des tiers interdite sous quelque forme que ce soit sans autorisation écrite du propriétaire. Propriete de c FCI. Droits de reproduction FCI.

**A** **FCI**

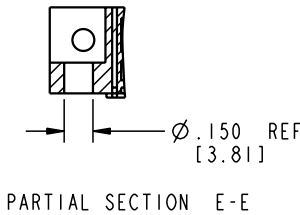
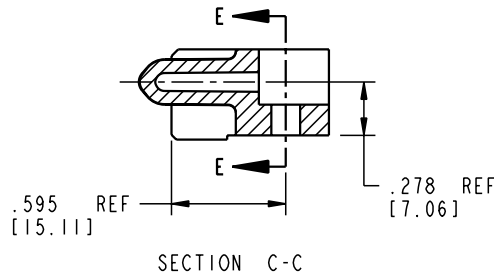
All rights strictly reserved. Reproduction or issue to third parties in any form whatever is not permitted without written authority from the proprietor. Property of FCI. Copyright FCI.

**B**

PRODUCT NUMBER  
51866-016



BROKEN-OUT SECTION B-B  
SCALE 2:1



mat'l code				SEE NOTE 2		tolerances unless otherwise specified		CUSTOMER		<b>A</b> <b>FCI</b> www.fciconnect.com	
ltr	ecr no.	dr	date	linear	.XX ± .01 / 0.X ± 0.3		COPY		projection	title	
A					.XXX ± .005 / 0.XX ± 0.13		INCH/MM			25P	
					.XXX ± .0020 / 0.XXX ± 0.051		1:1			R/A PRESS-FIT RECEPTACLE	
				angles	° ± 2°		scale		product family		
				dr	T. BRUNGARD	01/09/03	INCH/MM		PwrBlade		code
				enr	M. MOSTOLLER	mm/dd/yy	1:1		size		213
				chr	M. MOSTOLLER	01/09/03	1:1		dwg no		sheet
				appd	M. MOSTOLLER	01/09/03	1:1		A		2 of 4
sheet index		revision sheet									

**B**

1 | 2

Pro/E

3 |

cage code 22526

4

**PDM: Rev:A**

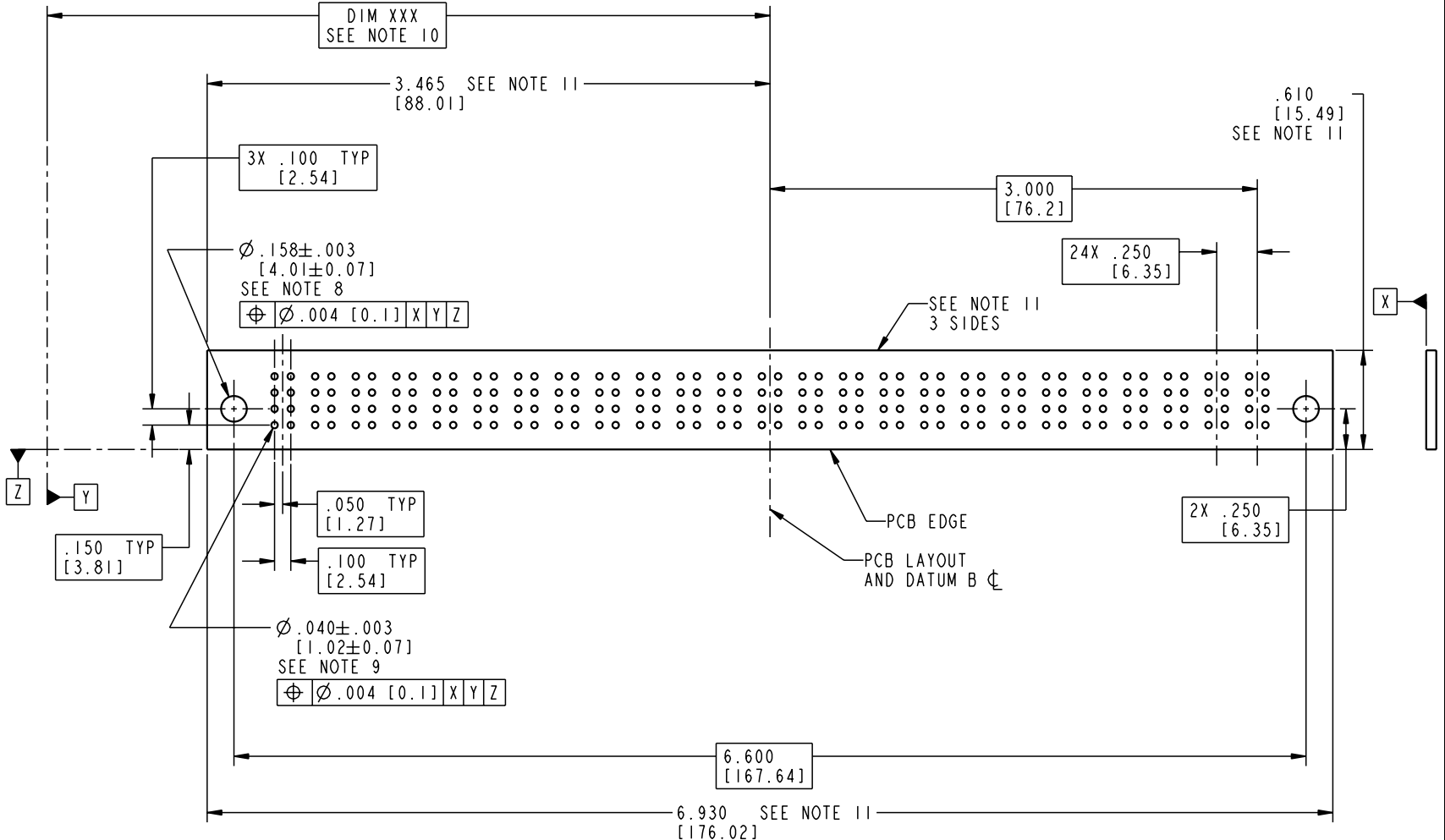
STATUS: **Released**

Printed: Dec 20, 2010

Tous droits strictement réservés. Reproduction ou communication o des tiers interdite sous quelque forme que ce soit sans autorisation écrite du propriétaire. Propriété de c FCI. Droits de reproduction FCI.

All rights strictly reserved. Reproduction or issue to third parties in any form whatever is not permitted without written authority from the proprietor. Property of FCI. Copyright FCI.

PRODUCT NUMBER  
51866-016



mat'l code				SEE NOTE 2		tolerances unless otherwise specified		CUSTOMER		 www.fciconnect.com	
ltr	ecn no.	dr	date	linear	.XX±.01/0.X±0.3		COPY		title		
A					.XXX±.005/0.XX±0.13		projection		25P		
				angles	.XXX±.0020/0.XX±0.051				R/A PRESS-FIT RECEPTACLE		
					0° ± 2°		INCH/MM		product family		code
				dr	T. BRUNGARD	01/09/03	scale		PwrBlade		213
				enr	M. MOSTOLLER	mm/dd/yy	1:1		size		dwg no
				chr	M. MOSTOLLER	01/09/03			A		51866-016
				appd	M. MOSTOLLER	01/09/03					sheet
sheet index		revision sheet								3 of 4	

Pro/E

cage code 22526

PDM: Rev:A

STATUS: Released

Printed: Dec 20, 2010

Tous droits strictement réservés. Reproduction ou communication o des tiers interdite sous quelque forme que ce soit sans autorisation écrite du propriétaire. Propriete de c FCI. Droits de reproduction FCI.

**A**  
**FCI**

All rights strictly reserved. Reproduction or issue to third parties in any form whatever is not permitted without written authority from the proprietor. Property of FCI. Copyright FCI.

**B**

PRODUCT NUMBER

**51866-016**

NOTES:

1. DIMENSIONS AND TOLERANCES ARE IN ACCORDANCE WITH ASME Y14.5M, 1994 UNLESS OTHERWISE SPECIFIED.

CONNECTOR NOTES:

- 2. HOUSING MATERIAL: UL 94 V-0 GLASS FILLED  
HIGH-TEMP THERMOPLASTIC  
POWER CONTACT MATERIAL: COPPER ALLOY  
SIGNAL PIN MATERIAL: COPPER ALLOY
- 3. PLATING:  
SIGNAL PINS: 30u"/0.76um Au OVER 50u"/1.27um Ni  
POWER CONTACTS: 50u"/1.27um Ni UNDER ALL  
WITH 30u"/0.76um Au ON CONTACT AREA  
AND SnPb ON PCB INTERFACE
- 4. MANUFACTURER'S NAME, P/N, AND DATE CODE TO APPEAR ON THIS SURFACE.
- 5. PRODUCT SPECIFICATION GS-12-149.  
APPLICATION SPECIFICATION BUS-20-067.


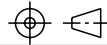
6. PACKAGED IN TRAYS.

PCB NOTES:

- 7. ALL HOLE DIAMETERS ARE FINISHED HOLE SIZE.
- 8. MOUNTING HOLES, WHERE APPLICABLE, ARE UNPLATED.
- 9.  $\varnothing .0453 \pm .0010$  [1.151  $\pm$  0.025] DRILLED HOLES PLATED WITH .0003 [0.008] MIN SnPb OVER .001 [0.03] TO .003 [0.08] Cu PLATING TO ACHIEVE  $\varnothing .040 \pm .003$  [1.02  $\pm$  .07] HOLE.
- 10. "DIM XXX" TO BE DETERMINED BY THE CUSTOMER.

11. CONNECTOR KEEP-OUT ZONE.

12. USE FCI CAM TOOL 430140-XXX TO APPLY CONNECTOR TO PCB.

mat'l code		SEE NOTE 2		tolerances unless otherwise specified		CUSTOMER		 <b>FCI</b> www.fciconnect.com				
ltr	ecm no.	dr	date	linear	.XX±.01/0.X±0.3	COPY						
A				linear	.XXX±.005/0.XX±0.13	projection		title	25P			
				angles	.XXX±.0020/0.XX±0.051 0°+?°			R/A PRESS-FIT RECEPTACLE				
		dr	T. BRUNGARD	01/09/03	INCH/MM		product family		PwrBlade	code		
		enr	M. MOSTOLLER	mm/dd/yy	scale		size	dwg no	A	51866-016	sheet	213
		chr	M. MOSTOLLER	01/09/03	1:1		sheet		4 of 4			
		appd	M. MOSTOLLER	01/09/03								
sheet index	revision sheet											

**A**

**B**

1 | 2

3 |

4

1 | 2

Pro/E

3 |

cage code 22526

4

**PDM: Rev:A**

STATUS: **Released**

Printed: Dec 20, 2010

# Mouser Electronics

Authorized Distributor

Click to View Pricing, Inventory, Delivery & Lifecycle Information:

FCI:

[51866-016](#)