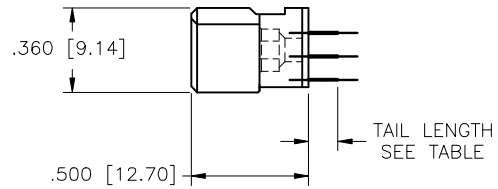
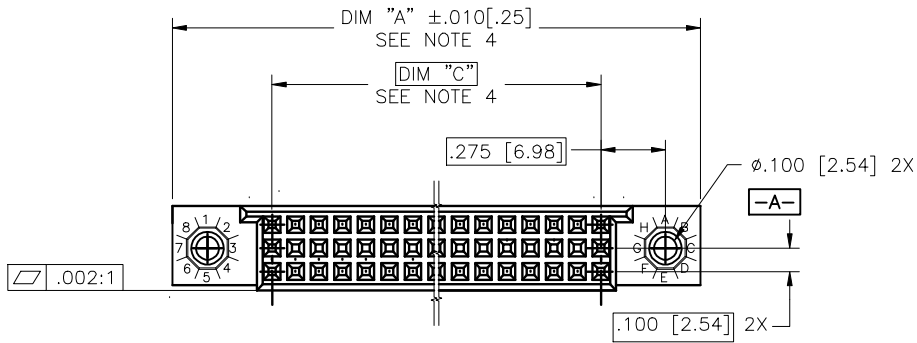
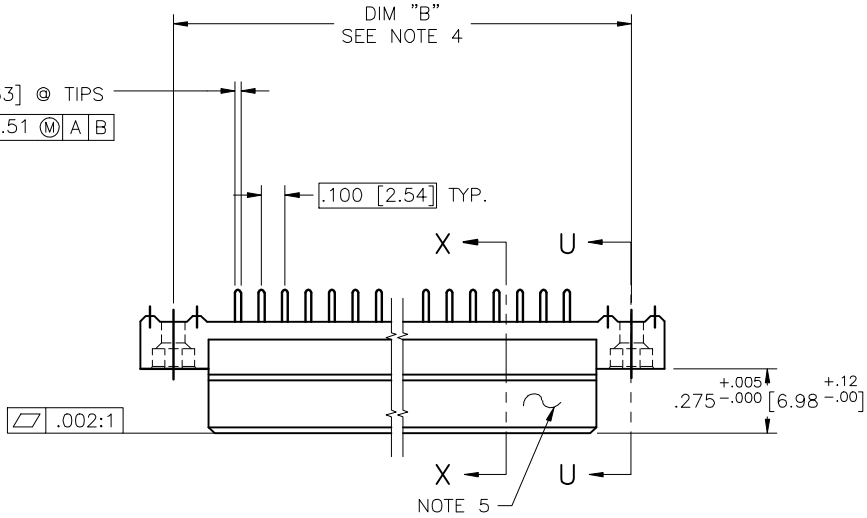


PRODUCT NUMBER
SEE TABLE



mat'l. code				surface	tolerance	projection	product family
NOTE 3				ISO 1302	ISO 406 ISO 1101	ISO 1001	HPC
ltr	ecn no	dr	date	tolerances unless otherwise specified		INCH/MM	title
G	V40716	PDP	4/05/94	angles	.XX±.01/XX±0.3		
H	V41216	MDF	9/08/94	linear	.XXX±.006/XX±0.13	scale 1:1	3 ROW VERTICAL RECEPTACLE SOLDER TO BOARD, 0 GUIDE PIN
J	V90140	HTB	2/16/99	σ±z	.XXX±.0020/XXX±0.051		
K	V00258	JWS	1/21/00	dr	S. ROYER 8/08/91	FCJ	dwg no
L	V05-0744	DAI	10/15/05	engr	S. CLARK 8/14/91		sheet 1 of 3
M	M06-0255	AEA	7/07/06	chr	S. CLARK 8/14/91		size
N	M08-0308	MHT	10/22/08	appd	S. CLARK 8/14/91		A3
sheet	revision	N	N	N			type
index	sheet	1	2	3			Product Customer Drawing

FCJ
FCJconnect.com

Copyright FCJ

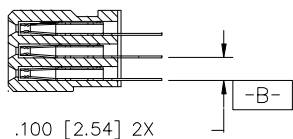
form: A3

PRODUCT NUMBER
SEE TABLE

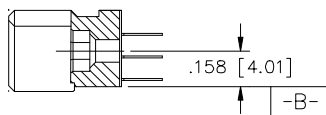
NOTES:

① PRODUCT NUMBERING CODE:
50332 - X YYY Z LF
LEAD FREE (OPTIONAL)
TAIL LENGTH SEE TABLE
NO. OF POSITIONS SEE NOTE 2
PLATING SEE TABLE
BASE NUMBER

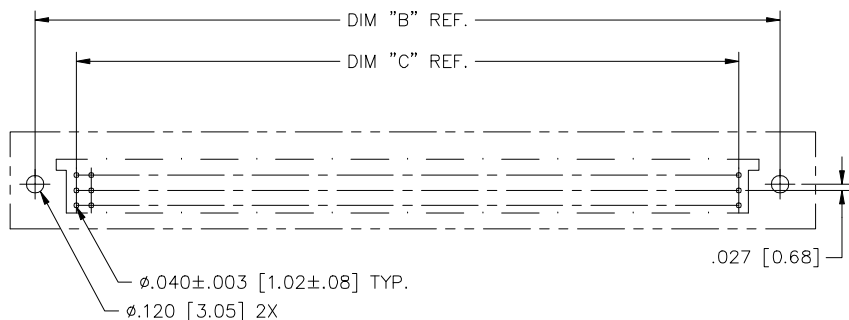
PRODUCT NUMBERING CODE FOR
SELECT LOAD PART NUMBERS:
50332 - XYYYY LF
LEAD FREE (OPTIONAL)
SEQUENCE NUMBER
ALWAYS 'XX'
BASE NUMBER



SECTION X-X



SECTION U-U



RECOMMENDED PCB LAYOUT
(ALL HOLES LOCATED ON .100/2.54 GRID
UNLESS OTHERWISE SPECIFIED)

- ② THIS PRODUCT IS CONFIGURED IN SIZES OF 10 THRU 80 COLUMNS IN INCREMENTS OF ONE. i.e.: 10,11,12,13,.....79,80.
- ③ HOUSING MATERIAL: GLASS AND MINERAL FILLED HIGH TEMP. THERMOPLASTIC. FLAME RETARDANT PER UL94V-0. COLOR: BLACK. CONTACT MATERIAL: BeCu
- ④ LENGTH FORMULAS
DIM A = $.100/2.54 \times \text{NO. OF COLUMNS} + .75/19.1$
DIM B = $.100/2.54 \times \text{NO. OF COLUMNS} + .45/11.4$
DIM C = $.100/2.54 \times \text{NO. OF COLUMNS} - .10/2.5$
- ⑤ MANUFACTURE'S NAME, P/N AND LOT CODE TO APPEAR ON THIS SURFACE AS PER BUS-12-108.
6. THIS PRODUCT (WITH "LF" SUFFIX) MEETS EUROPEAN UNION DIRECTIVES AND OTHER COUNTRY REGULATIONS AS DESCRIBED IN GS-22-008.
7. THIS HOUSING WILL WITHSTAND EXPOSURE TO 260° C PEAK TEMPERATURE FOR 10-30 SECONDS IN A CONVECTION INFRA-RED OR VAPOR PHASE REFLOW OVEN.
- ⑧ PLATING OPTIONS:
MAYBE EITHER GOLD OR GXT PLATED AT MANUFACTURER CHOICE

mat'l. code		surface		tolerance	projection	product family	
-		ISO 1302		ISO 406		HPC	
				ISO 1101			
ltr	ec'n no	dr	date		title		
N					3 ROW VERTICAL RECEPTACLE		
				tolerances unless otherwise specified		SOLDER TO BOARD, 0 GUIDE PIN	
				angles	linear	INCH/MM	
						scale 1:1	
				dr	S. ROYER	8/08/91	
				enr	S. CLARK	8/14/91	
				chr	S. CLARK	8/14/91	
				appd	S. CLARK	8/14/91	
sheet	revision					dwg no	sheet 2 of 3 size
index	sheet					50332	A3
				type		Product Customer Drawing	

PRODUCT NUMBER	NUMBER OF POSITIONS SEE NOTE 2	TAIL LENGTH	CONTACT PLATING NOTE 8
50332-1YYE	YYY	.125±.010/3.18±0.25	30u"/.76u Au OR GXT
50332-1YYF	YYY	.145±.010/3.68±0.25	30u"/.76u Au OR GXT
50332-1YYH	YYY	.180±.010/4.57±0.25	30u"/.76u Au OR GXT
50332-3YYE	YYY	.125±.010/3.18±0.25	50u"/1.25u Au OR GXT
50332-3YYF	YYY	.145±.010/3.68±0.25	50u"/1.25u Au OR GXT
50332-3YYH	YYY	.180±.010/4.57±0.25	50u"/1.25u Au OR GXT
50332-5YYE	YYY	.125±.010/3.18±0.25	30u"/.76u Au OR GXT
50332-5YYELF	YYY	.125±.010/3.18±0.25	30u"/.76u Au OR GXT
50332-5YYF	YYY	.145±.010/3.68±0.25	30u"/.76u Au OR GXT
50332-5YYFLF	YYY	.145±.010/3.68±0.25	30u"/.76u Au OR GXT
50332-5YYH	YYY	.180±.010/4.57±0.25	30u"/.76u Au OR GXT
50332-5YYHLF	YYY	.180±.010/4.57±0.25	30u"/.76u Au OR GXT



FCJconnect.com

Copyright FCJ

mat'l. code		surface		tolerance		projection		product family	
-		ISO 1302		ISO 406				HPC	
N		ecn no		dr		date		title	
								3 ROW VERTICAL RECEPTACLE	
								SOLDER TO BOARD, 0 GUIDE PIN	
								scale 1:1	
								dwg no	
								sheet 3 of 3	
								size	
								A3	
								type	
								Product Customer Drawing	
sheet		revision							
index		sheet							

form: A3

Mouser Electronics

Authorized Distributor

Click to View Pricing, Inventory, Delivery & Lifecycle Information:

FCI:

[50332-1162H](#)