

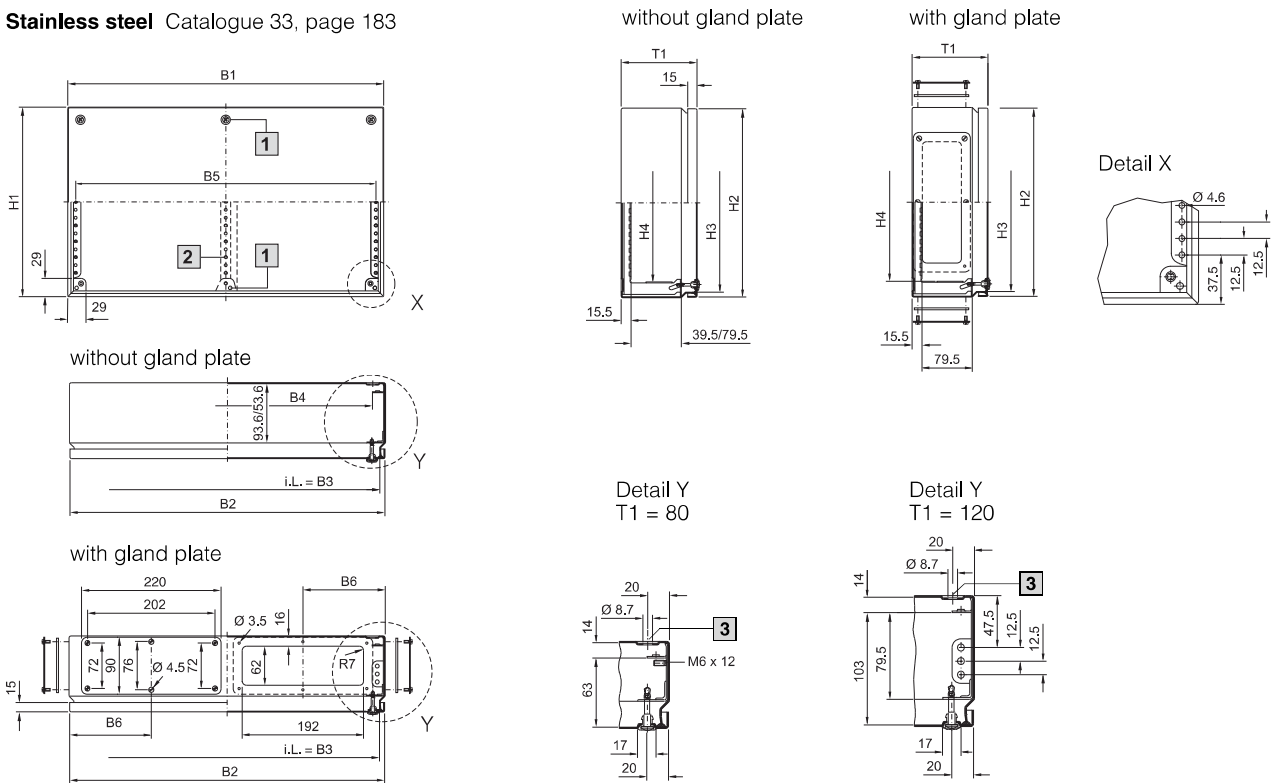
# Enclosures

## Small enclosures

### Terminal boxes KL

**Spray-finished** Catalogue 33, page 34

**Stainless steel** Catalogue 33, page 183



B1 = Overall width  
 B2 = Cover width  
 B3 = Clearance width of enclosure  
 B4 = Clearance frame/width between profile strips  
 B5 = Distance between axes of the mounting holes in the profile strips  
 B6 = Distance from outer edge of enclosure – centre of gland plate

H1 = Overall height  
 H2 = Cover height  
 H3 = Clearance height of enclosure  
 H4 = Clearance frame/height between profile strips  
 T1 = Overall depth

- 1** Only with  $W \geq 600$  mm
- 2** Only with  $W = 800$  mm
- 3** Drilled hole does not apply to stainless steel version

Model No. KL			Width dimensions mm						Height dimensions mm				Depth dimensions mm
without gland plate	with gland plate	Stainless steel without gland plate	B1	B2	B3	B4	B5	B6	H1	H2	H3	H4	T1
1514.510	–	1521.010	150	148	132	109	125	–	150	148	132	–	80
1528.510	–	–	200	198	182	159	175	–	150	148	132	–	80
1516.510	–	1523.010	200	198	182	159	175	–	200	198	182	–	80
1515.510	–	1522.010	300	298	282	259	275	–	150	148	132	–	80
1517.510	–	1524.010	300	298	282	259	275	–	200	198	182	–	80
1518.510	–	–	400	398	382	359	375	–	200	198	182	–	80
1519.510	–	–	600	598	582	559	575	–	200	198	182	–	80
1500.510	–	–	150	148	132	109	125	–	150	148	132	100	120
1529.510	–	–	200	198	182	159	175	–	150	148	132	100	120
1502.510	–	–	200	198	182	159	175	–	200	198	182	150	120
1501.510	1530.510	–	300	298	282	259	275	150	150	148	132	100	120
1503.510	1531.510	–	300	298	282	259	275	150	200	198	182	150	120
1507.510	1535.510	1526.010	300	298	282	259	275	150	300	298	282	250	120
1589.510	–	–	400	398	382	359	375	–	150	148	132	100	120
1504.510	1532.510	1525.010	400	398	382	359	375	200	200	198	182	150	120
1508.510	1536.510	–	400	398	382	359	375	200	300	298	282	250	120
1511.510	1539.510	–	400	398	382	359	375	200	400	398	382	350	120
1505.510	1533.510	–	500	498	482	459	475	130	200	198	182	150	120
1509.510	1537.510	–	500	498	482	459	475	130	300	298	282	250	120
1506.510	1534.510	–	600	598	582	559	575	150	200	198	182	150	120
1510.510	1538.510	–	600	598	582	559	575	150	300	298	282	250	120
1512.510	1540.510	–	600	598	582	559	575	150	400	398	382	350	120
1527.510	1542.510	–	800	798	782	759	775	150	200	198	182	150	120
1513.510	1541.510	–	800	798	782	759	775	150	400	398	382	350	120