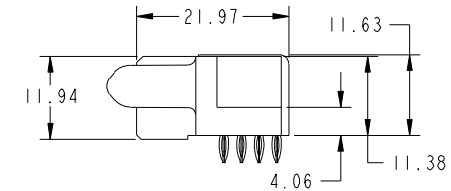
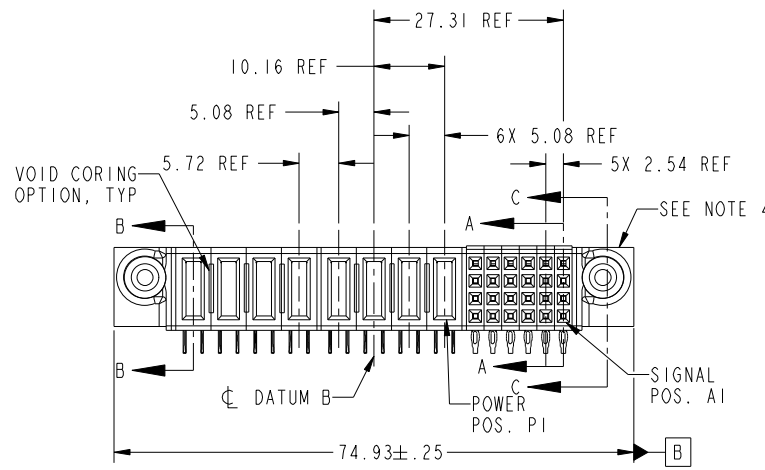
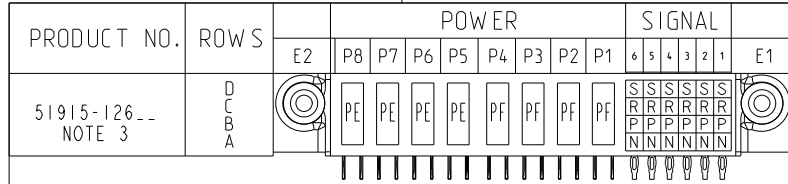


Tous droits strictement réservés. Reproduction ou communication a des tiers interdite sous quelque forme que ce soit sans autorisation écrite du propriétaire. Propriete de c FCI. Droits de reproduction FCI.



All rights strictly reserved. Reproduction or issue to third parties in any form whatever is not permitted without written authority from the proprietor. Property of FCI. Copyright FCI.



CODE	DIM "M" MATING LENGTH	CONTACT TYPE
S	[N/A]	SIGNAL
R	[N/A]	SIGNAL
P	[N/A]	SIGNAL
N	[N/A]	SIGNAL
PF	[2.34]	POWER
PE	[1.07]	POWER

mat'l code				SEE NOTE 2		tolerances unless otherwise specified		CUSTOMER	
ltr	ecn no.	dr	date	linear	0.X ± 0.3	projection		COPY	
A	DG07-0120	JMG	03/30/07	angles	0.XX ± 0.13	MIM		title	
				dr	0.XXX ± 0.051	scale		24S + 8P	
				enr	0° ± 2°	1:1		R/A PRESS-FIT RECEPTACLE	
				chr	JM GUO 03/30/07			product family	
				appd	RYAN YUAN 03/30/07			PwrBlade	
					GARY HSIEH 03/30/07			code	
					JOSEPH HSIA 03/30/07			213	
sheet index	revision sheet	A 1	A 2	A 3	A 4			size	
								dwg no	
								A 51915-126	
								sheet	
								1 of 4	

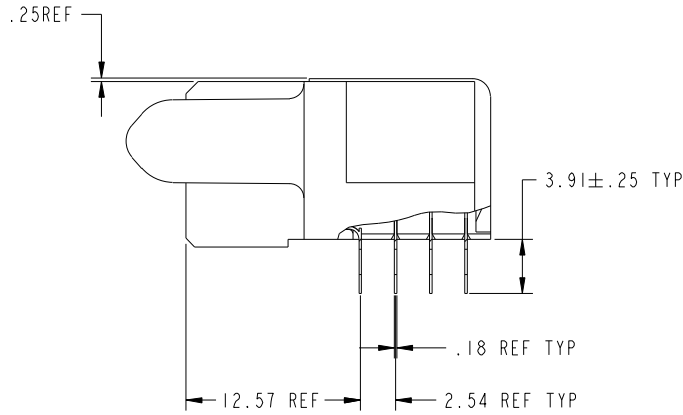
www.fciconnect.com
FCI
 title: 24S + 8P R/A PRESS-FIT RECEPTACLE
 product family: PwrBlade code: 213
 size: A dwg no: 51915-126 sheet: 1 of 4
 cage code: 22526

Tous droits strictement reserves. Reproduction ou communication a des tiers interdite sous quelque forme que ce soit sans autorisation ecrite du proprietaire. Propriete de c FCI. Droits de reproduction FCI.

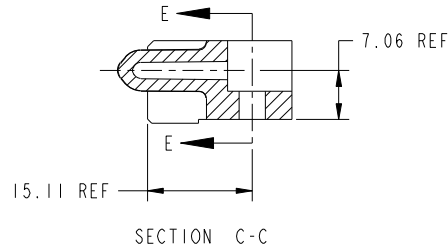
All rights strictly reserved. Reproduction or issue to third parties in any form whatever is not permitted without written authority from the proprietor. Property of FCI. Copyright FCI.



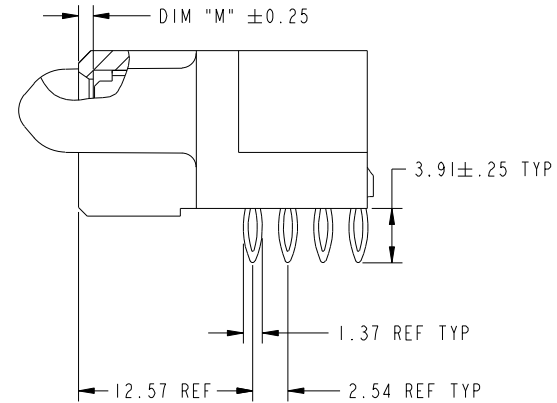
PRODUCT NUMBER
51915-126--
NOTE 3



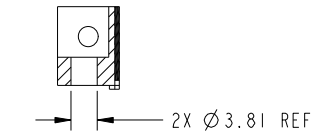
BROKEN-OUT SECTION A-A
SCALE 2:1



SECTION C-C



BROKEN-OUT SECTION B-B
SCALE 2:1



PARTIAL SECTION E-E

mat'l code				SEE NOTE 2		tolerances unless otherwise specified		CUSTOMER		 www.fciconnect.com		
ltr	ecn no.	dr	date	linear	0.X ± 0.3	projection	COPY		 title 24S + 8P R/A PRESS-FIT RECEPTACLE	product family PwrBlade code		
A					0.XX ± 0.13		 scale 1:1	size		213		
					0.XXX ± 0.051			dwg no		sheet		
					angles			51915-126		2 of 4		
				dr	JM GUO 03/30/07	A						
				enr	RYAN YUAN 03/30/07							
				chr	GARY HSIEH 03/30/07							
				appd	JOSEPH HSIA 03/30/07							
sheet index		revision sheet										

cage code 22526

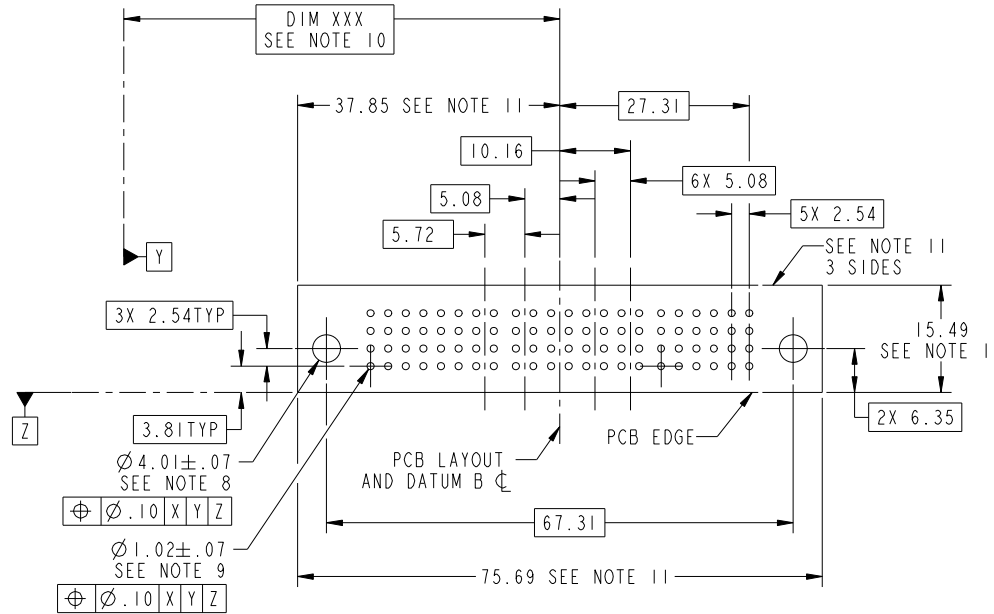
Pro/E

Tous droits strictement reserves. Reproduction ou communication a des tiers interdite sous quelque forme que ce soit sans autorisation écrite du propriétaire. Propriete de c FCI. Droits de reproduction FCI.



All rights strictly reserved. Reproduction or issue to third parties in any form whatever is not permitted without written authority from the proprietor. Property of FCI. Copyright FCI.

PRODUCT NUMBER
51915-126--
NOTE 3



mat'l code		SEE NOTE		tolerances unless otherwise specified		CUSTOMER		FCI	
ltr	ecn no.	dr	date	linear	0.X ± 0.3	COPY		www.fciconnect.com	
A					0.XX ± 0.13	projection		title 24S + 8P R/A PRESS-FIT RECEPTACLE	
				angles	0.XXX ± 0.051	MIM		product family PwrBlade code 213	
				dr	0 ± 2°	scale 1:1		size dwg no 213	
				enrg	JM GUO 03/30/07			sheet 3 of 4	
				chr	RYAN YUAN 03/30/07			51915-126	
				appd	GARY HSIEH 03/30/07				
					JOSEPH HSIA 03/30/07				
sheet index	revision sheet								

cage code 22526

Pro/E

Tous droits strictement réservés. Reproduction ou communication a des tiers interdite sous quelque forme que ce soit sans autorisation écrite du propriétaire. Propriete de c FCI. Droits de reproduction FCI.

All rights strictly reserved. Reproduction or issue to third parties in any form whatever is not permitted without written authority from the proprietor. Property of FCI. Copyright FCI.

PRODUCT NUMBER
51915-126--
NOTE 3

NOTES:

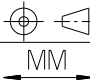
1. DIMENSIONS AND TOLERANCES ARE IN ACCORDANCE WITH ASME Y14.5M, 1994 UNLESS OTHERWISE SPECIFIED.

CONNECTOR NOTES:

- 2. HOUSING MATERIAL: UL 94 V-0 GLASS FILLED
HIGH-TEMP THERMOPLASTIC
POWER CONTACT MATERIAL: COPPER ALLOY
SIGNAL PIN MATERIAL: COPPER ALLOY
- 3. PLATING:
51915-126, 51915-126LF PLATING SPEC. WAS SHOWN IN THE PRINT OF 10064183.
- 4. MANUFACTURER'S NAME, P/N, AND DATE CODE TO APPEAR ON THIS SURFACE.
- 5. PRODUCT SPECIFICATION GS-12-149.
APPLICATION SPECIFICATION BUS-20-067.
- 6. PACKAGED IN TRAYS.

PCB NOTES:

- 7. ALL HOLE DIAMETERS ARE FINISHED HOLE SIZE.
- 8. MOUNTING HOLES, WHERE APPLICABLE, ARE UNPLATED.
- 9. $\varnothing 1.151 \pm 0.025$ DRILLED HOLES PLATED WITH
0.008 MIN SnPb OR Sn OVER 0.03
TO 0.08 Cu PLATING TO ACHIEVE
 $\varnothing 1.02 \pm .07$ HOLE.
- 10. "DIM XXX" TO BE DETERMINED BY THE CUSTOMER.
- 11. CONNECTOR KEEP-OUT ZONE.
- 12. USE FCI CAM TOOL 430140-XXX
TO APPLY CONNECTOR TO PCB.

mat'l code		SEE NOTE 2		tolerances unless otherwise specified		CUSTOMER		FCI		www.fciconnect.com	
ltr	ecr no.	dr	date	linear	0.X ± 0.3	COPY		title 24S + 8P R/A PRESS-FIT RECEPTACLE			
A					0.XX ± 0.13	projection					
				angles	0.XXX ± 0.051			product family		PwrBlade	code
				dr	0° ± 2°			size		dwg no	213
				engr	JM GUO 03/30/07	scale		A		51915-126	sheet
				chr	RYAN YUAN 03/30/07	1:1				4 of 4	
				appd	GARY HSIEH 03/30/07						
					JOSEPH HSIA 03/30/07						
sheet index	revision sheet										

cage code 22526

Pro/E