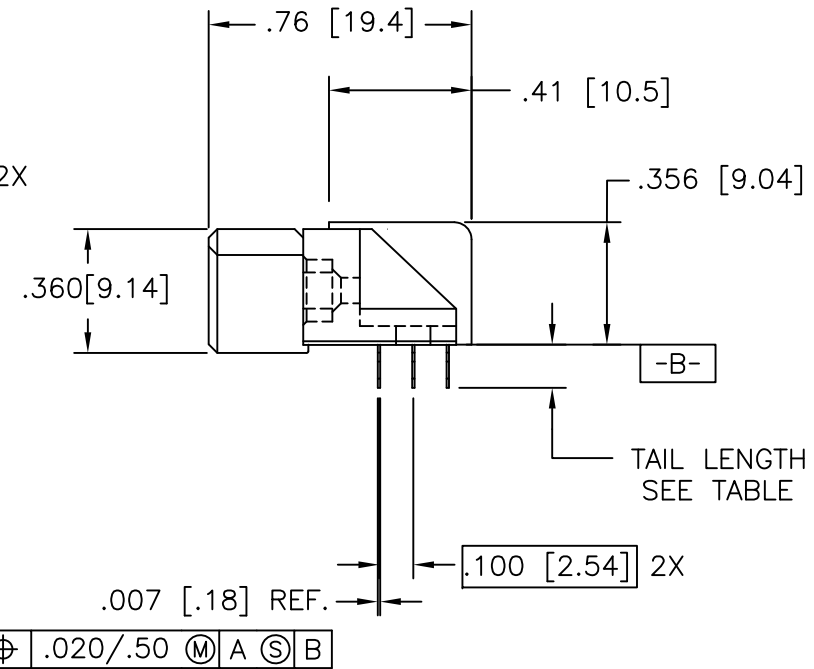
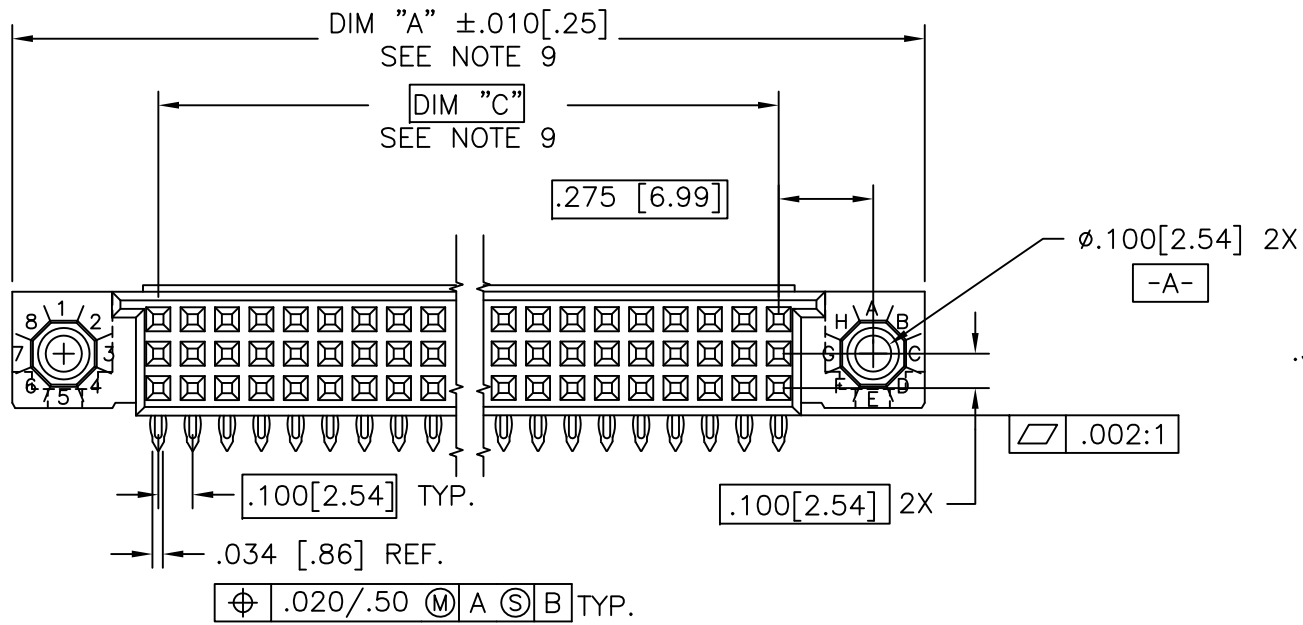
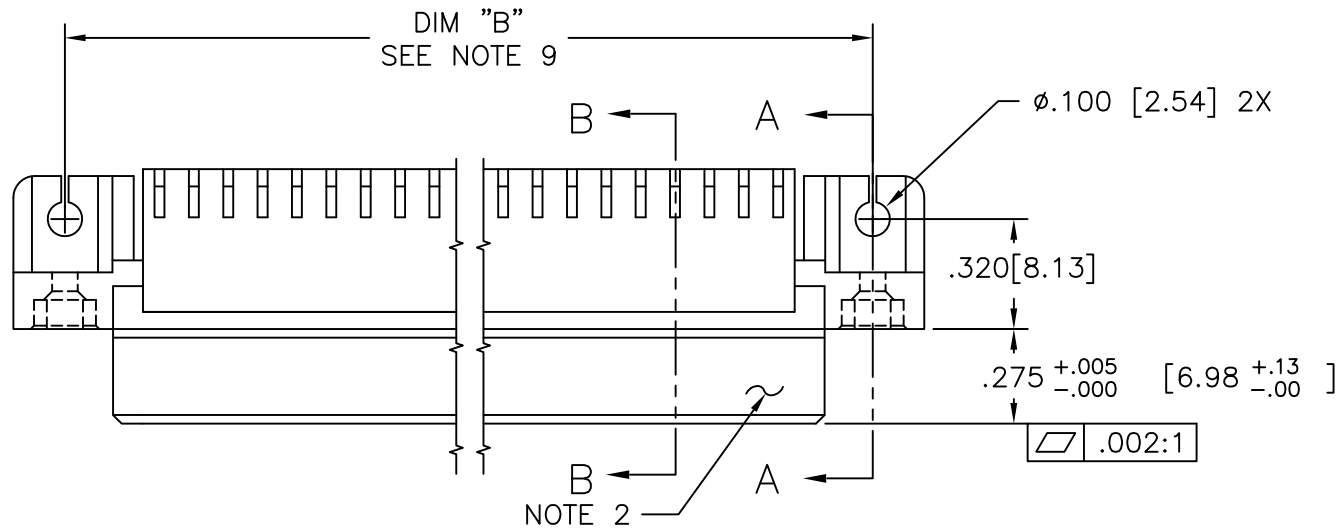


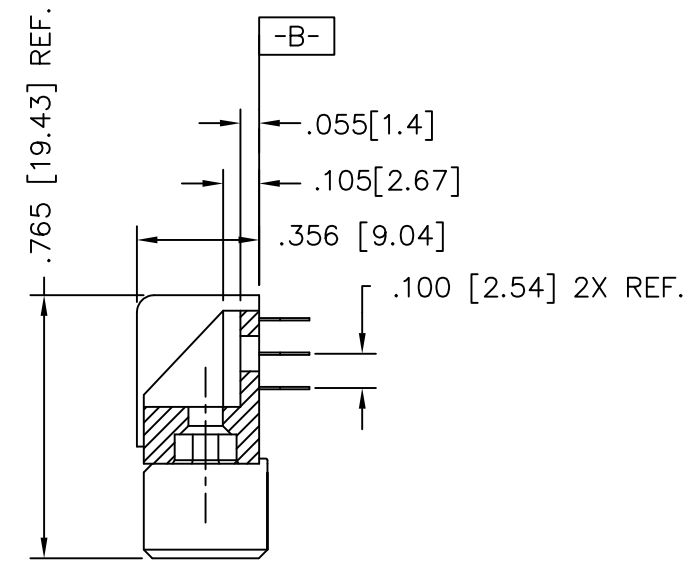
PRODUCT NUMBER
SEE TABLE



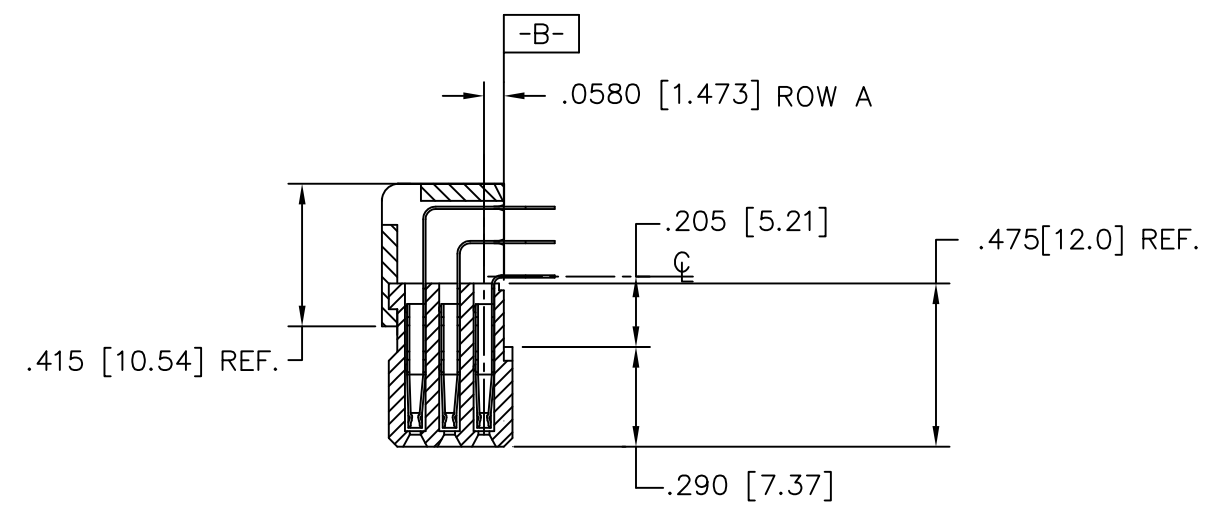
Copyright FCI

mat'l. code SEE NOTE 4				surface ISO 1302 \checkmark		tolerance ISO 406 ISO 1101		projection 		product family HPC	
ltr	ecn no	dr	date	tolerances unless otherwise specified		linear		INCH/MM		title 3 ROW R/A RECEPT. PRESS FIT, 0 GUIDE PIN	
T	ELX-I-24450	MJA	07/06/16	angles	.XX \pm .01/.3						
M	V10826	JRW	2/7/01	0 $^{\circ}$ \pm 2 $^{\circ}$.XXX \pm .005/.13		scale 1:1				
N	V05-0511	DAI	8/15/05	dr	G.PETERS	6/19/93		dwg no		sheet 1 of 4	size
P	V05-1054	HTB	11/17/05	enr	S.CLARK	6/19/93		50645		A3	
R	M06-0255	MHT	7/06/06	chr	M JACOB	07/06/16		type		Product Customer Drawing	
S	M07-0099	AGS	2/08/07	appd	BIJU K PAUL	07/06/16					
sheet	revision	T	S	S	S						
index	sheet	1	2	3	4						

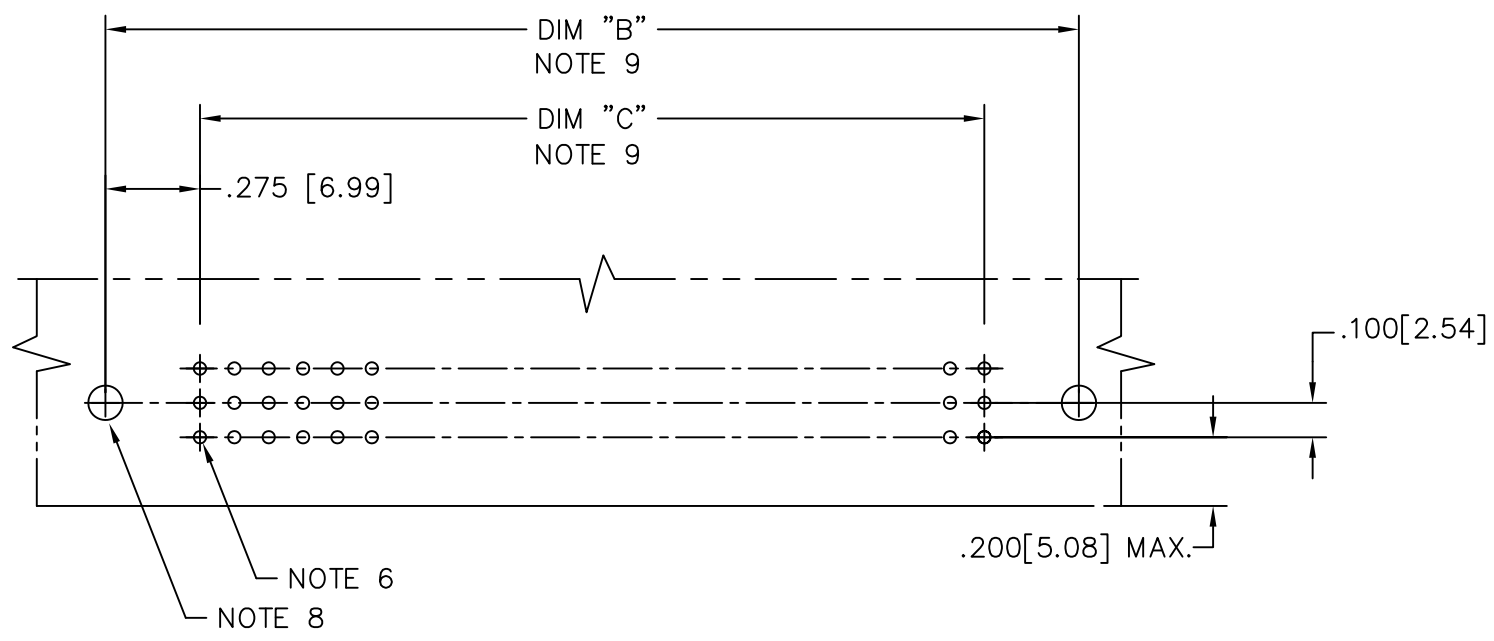
PRODUCT NUMBER
SEE TABLE



SECTION A-A



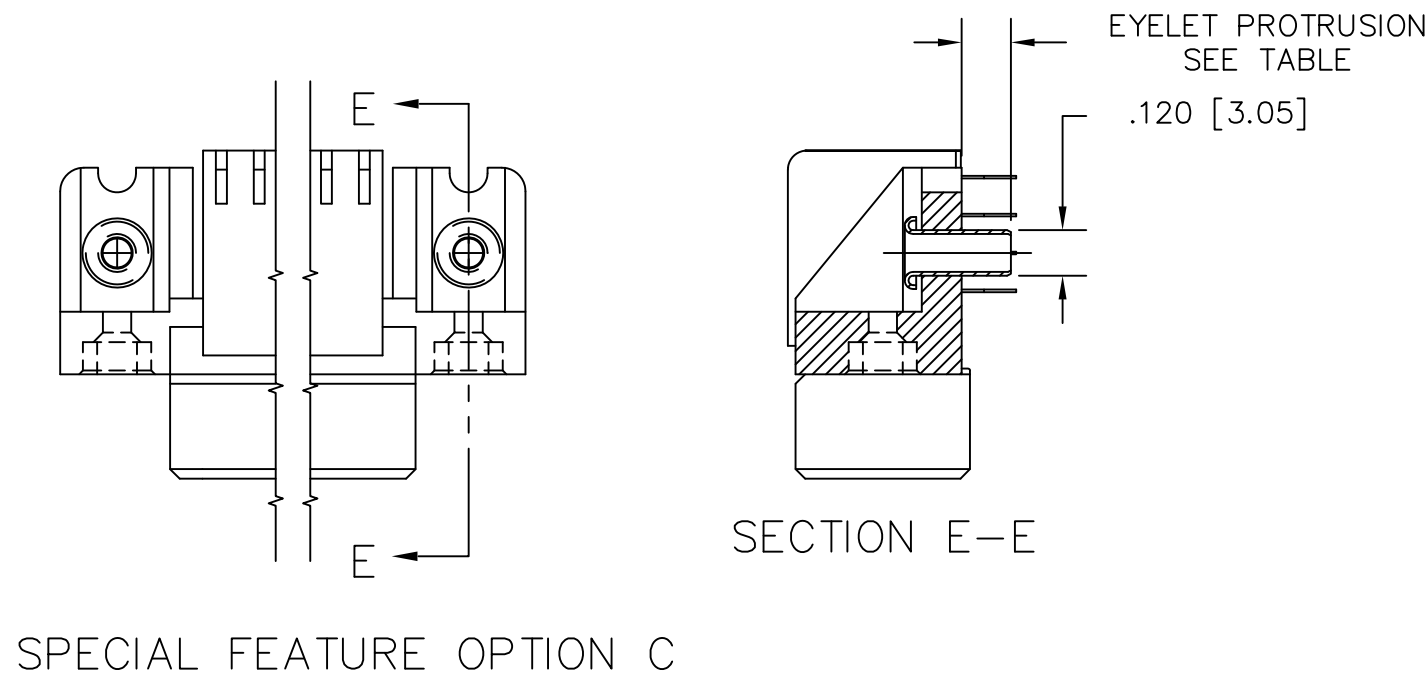
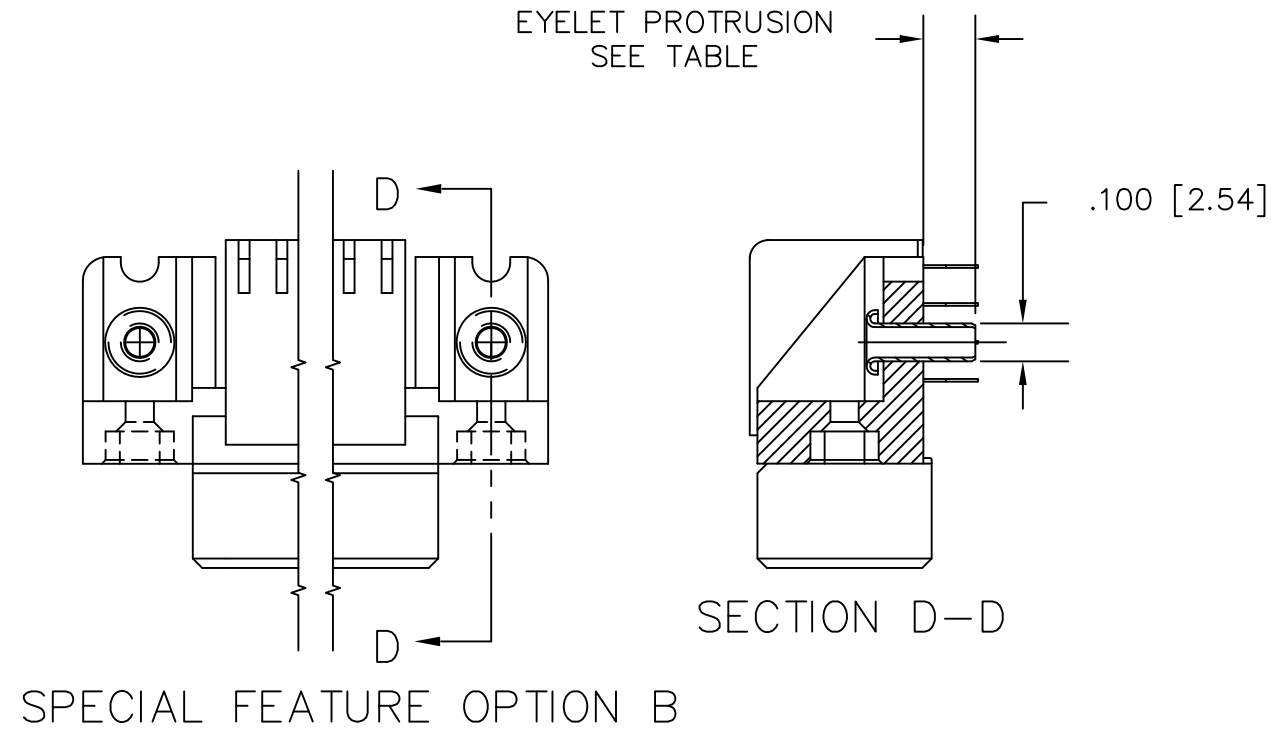
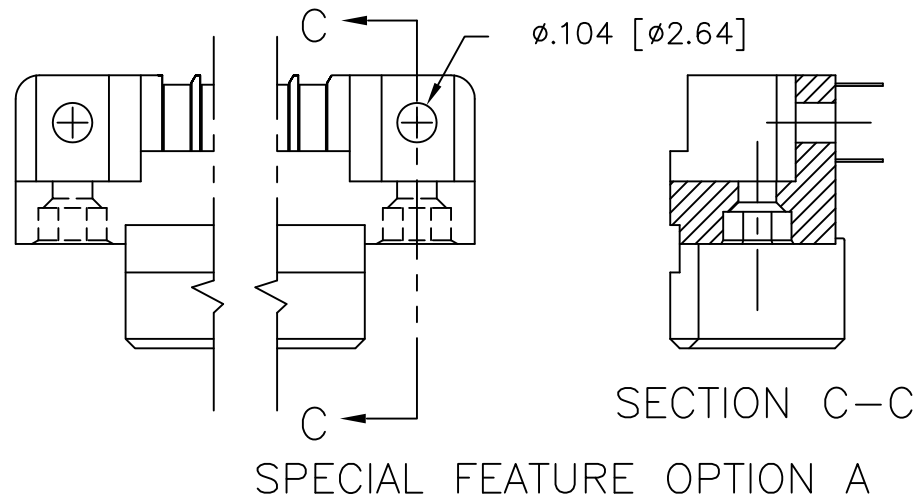
SECTION B-B



RECOMMENDED PCB LAYOUT
(ALL HOLES LOCATED ON .100 [2.54] GRID
UNLESS OTHERWISE SHOWN.)

mat'l. code SEE NOTE 4				surface ISO 1302 ✓		tolerance ISO 406 ISO 1101		projection INCH/MM		product family HPC			
ltr				ecn no		dr		date		tolerances unless otherwise specified		title	
S										.XX±.01/.3		3 ROW R/A RECEPT. PRESS FIT, 0 GUIDE PIN	
										.XXX±.005/.13		dwg no	
										.XXX±.0020/.051		sheet 2 of 4 size	
										scale 1:1		50645 A3	
										FCJ		type Product Customer Drawing	
sheet index		revision sheet											

PRODUCT NUMBER
SEE TABLE



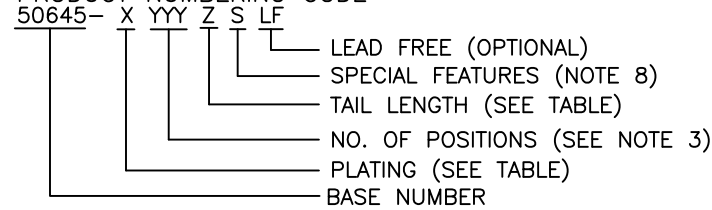
Copyright FCI

mat'l. code SEE NOTE 4				surface ISO 1302 ✓		tolerance ISO 406 ISO 1101		projection INCH/MM		product family HPC			
ltr	ecn no	dr	date	tolerances unless otherwise specified						title 3 ROW R/A RECEPT. PRESS FIT, 0 GUIDE PIN			
S				angles	linear	.XX±.01/.3		scale 1:1		dwg no 50645		sheet 3 of 4 size A3	
				0°±2°		.XXX±.005/.13							
				dr	G.PETERS	6/19/93		FCI		type Product Customer Drawing			
				enr	S.CLARK	6/19/93							
				chr	S.CLARK	6/19/93							
				appd	S.CLARK	6/19/93							
sheet index		revision sheet											

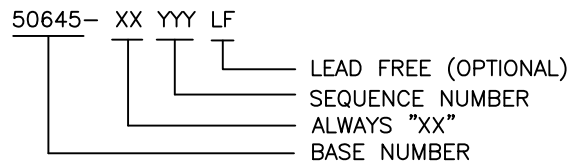
PRODUCT NUMBER NOTE 1	NUMBER OF POSITIONS NOTE 3	TAIL LENGTH ±.010/0.25	SPECIAL FEATURES SEE NOTE 8	SOLDER TAIL PLATING	CONTACT PLATING	EYELET PROTRUSION
50645-1YYYE	YYY	.125/3.18	NONE	TIN-LEAD	30u"/.76u Au	N/A
50645-1YYYELF	YYY	.125/3.18	NONE	TIN	30u"/.76u GXT	N/A
50645-1YYYEA	YYY	.125/3.18	"A"	TIN-LEAD	30u"/.76u Au	N/A
50645-1YYYEALF	YYY	.125/3.18	"A"	TIN	30u"/.76u GXT	N/A
50645-1YYYEB	YYY	.125/3.18	"B"	TIN-LEAD	30u"/.76u Au	.137/3.48
50645-1YYYEBLF	YYY	.125/3.18	"B"	TIN	30u"/.76u GXT	.137/3.48
50645-1YYYEC	YYY	.125/3.18	"C"	TIN-LEAD	30u"/.76u Au	.115/2.92
50645-1YYYECLF	YYY	.125/3.18	"C"	TIN	30u"/.76u GXT	.115/2.92
50645-1YYYF	YYY	.145/3.68	NONE	TIN-LEAD	30u"/.76u Au	N/A
50645-1YYYFLF	YYY	.145/3.68	NONE	TIN	30u"/.76u GXT	N/A
50645-1YYYFA	YYY	.145/3.68	"A"	TIN-LEAD	30u"/.76u Au	N/A
50645-1YYYFALF	YYY	.145/3.68	"A"	TIN	30u"/.76u GXT	N/A
50645-1YYYFC	YYY	.145/3.68	"C"	TIN-LEAD	30u"/.76u Au	.170/4.32
50645-1YYYFCLF	YYY	.145/3.68	"C"	TIN	30u"/.76u GXT	.170/4.32

NOTES:

①. PRODUCT NUMBERING CODE



PRODUCT NUMBERING CODE FOR SELECT LOAD



- ②. MANUFACTURE'S LOGO, PART NUMBER, AND LOT CODE TO APPEAR ON THIS SURFACE.
- ③. THIS PRODUCT IS CONFIGURED IN SIZES OF 6 THRU 80 COLUMNS IN INCREMENTS OF ONE, i.e. 6, 7, 8, 9,79, 80.
- ④. MATERIAL: PRESS BLOCK - HIGH TEMP THERMOPLASTIC HOUSING: GLASS AND MINERAL FILLED HIGH TEMPERATURE THERMOPLASTIC, FLAME RETARDANT PER UL94V-0. COLOR-BLACK CONTACT: BeCu
- ⑤. PLATING:
CONTACT AREA: 30μ"/0.76 μm Au OR 30μ"/0.76μm GXT (FOR LEAD-FREE OPTION)
TAILS: EITHER TIN OR TIN LEAD, SEE TABLE.
- ⑥. DRILLED HOLE DIA OF .0453±.0010 [1.151±0.025] FINISHED TO .0400±.0030 [1.016±0.076] BY PLATING SnPb OR OTHER PLATING .0003 [0.008] TO .0006 [0.015] THICK WITH A COPPER UNDERPLATE AS NEEDED.
- ⑦. INFORMATION DOCUMENT: FOR PCB STAY-AWAY ZONE, SEE TA-0954.

⑧. SPECIAL FEATURES:

- = IF NO SPECIAL FEATURE CODE IS SELECTED, CONNECTOR WILL APPEAR AS SHOWN. PCB MOUNTING HOLE DIMENSION TO BE $\phi.120\pm.003$ [3.05±0.07]
- "A" = IF SPECIFIED, CONNECTOR WILL APPEAR AS SHOWN ON SHEET 3. PCB MOUNTING HOLE DIMENSION TO BE $\phi.100\pm.003$ [2.54±0.07].
- "B" = IF SPECIFIED, CONNECTOR WILL HAVE PRE-INSTALLED EYELET FOR P.C.B. ATTACHMENT IN A $\phi.100\pm.003$ [2.54±0.07] MOUNTING HOLE. SEE SHEET 3. (AVAILABLE IN "E" TAIL LENGTH. ONLY).
- "C" = IF SPECIFIED, CONNECTOR WILL HAVE PRE-INSTALLED EYELET FOR P.C.B. ATTACHMENT IN A $\phi.120\pm.003$ [3.05±0.07] MOUNTING HOLE. SEE SHEET 3.

- ⑨. DIMENSION "A" CALCULATION = .100 (2.54) X NO. OF COLUMNS +.75 (19.1)
DIMENSION "B" CALCULATION = .100 (2.54) X NO. OF COLUMNS +.450 (11.43)
DIMENSION "C" CALCULATION = .100 (2.54) X NO. OF COLUMNS -.100 (2.54)
- ⑩. ALL POSITIONS ARE LOADED EXCEPT FOR -XXYYY ASSEMBLIES WHICH HAVE SELECTIVE LOADING.
- ⑪. THIS PRODUCT (WITH "LF" SUFFIX) MEETS EUROPEAN UNION DIRECTIVES AND OTHER COUNTRY REGULATIONS AS DESCRIBED IN GS-22-008.
- ⑫. THIS HOUSING WILL WITHSTAND EXPOSURE TO 260°C PEAK TEMPERATURE FOR 10-30 SECONDS IN A CONVECTION, INFRA-RED OR VAPOR PHASE REFLOW OVEN.

mat'l. code SEE NOTE 4				surface ISO 1302 ✓		tolerance ISO 406 ISO 1101		projection 		product family HPC			
ltr	ecn no	dr	date	tolerances unless otherwise specified						title			
S				angles		linear		INCH/MM		3 ROW R/A RECEPT. PRESS FIT, 0 GUIDE PIN			
				0°±2°		.xxx±.005/.13		scale 1:1		dwg no 50645 sheet 4 of 4 size A3			
				dr	G.PETERS	6/19/93			type Product Customer Drawing				
				enr	S.CLARK	6/19/93							
				chr	S.CLARK	6/19/93							
				appd	S.CLARK	6/19/93							
sheet index	revision sheet												

Mouser Electronics

Authorized Distributor

Click to View Pricing, Inventory, Delivery & Lifecycle Information:

[FCI / Amphenol:](#)

[50645-1018ELF](#) [50645-1180EBLF](#) [50645-1072EC](#) [50645-1180EB](#) [50645-2150EBLF](#) [50645-1018E](#) [50645-1240EBLF](#)