

注記 NOTES

1. 使用材料 MATERIAL

ハウジング : 液晶ポリマー (LCP)UL94V-0 (黒)
HOUSING : LIQUID CRYSTAL POLYMER(LCP), UL94V-0.(COLOR: BLACK)

ターミナル : 銅合金
TERMINAL : COPPER ALLOY

補強金具 : 銅合金
FITTING NAIL : COPPER ALLOY

2. メッキ仕様 PLATING

ターミナル TERMINAL

金メッキ
GOLD

下地 : ニッケルメッキ
UNDER PLATING : NICKEL

※コンタクト部とテール部はニッケルメッキによって分断されている金メッキです。
DIVIDE INTO PARTS THE GOLD PLATING OF THE CONTACT AND THE TAIL PART BY THE NICKEL PLATING.

補強金具 FITTING NAIL

金メッキ(テール部のみ)
GOLD(ONLY TAIL PART)

下地 : ニッケルメッキ
UNDER PLATING : NICKEL OVERALL

△ (全極数 / 2) = 偶数の場合に適用。
APPLY FOR (CIRCUIT/2)=EVEN.

4. 嵌合相手 : 504208 シリーズ
MATE WITH : 504208 SERIES.

5. テール平坦度は、0.08 以下。
テール及び金具の平坦度は、0.1 以下。
TAIL COPLANARITY TO BE 0.08MAXIMUM.
TAIL AND FITTING NAIL COPLANARITY TO BE 0.1MAXIMUM.

6. ELV 及び RoHS 適合品
ELV AND RoHS COMPLIANT.

9.6	11.26	504248-5010	o	---	50
5.6	7.26	504248-3010	o	---	30
4.4	6.06	504248-2410	o	---	24
3.6	5.26	504248-2010	o	---	20
2.8	4.46	504248-1610	o	---	16
2.0	3.66	504248-1210	o	---	12
1.6	3.26	504248-1010	o	---	10
B	A	EMBOSSSED TAPE PACKAGE --- オーダー番号 ORDER NO.	最製品 MASS PRODUCTION	試作対応可 LOW VOL. TOOL	極数 CIRCUIT

CONNECTOR SERIES No. : 504248-**09

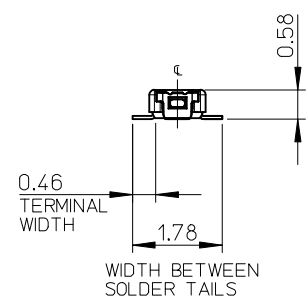
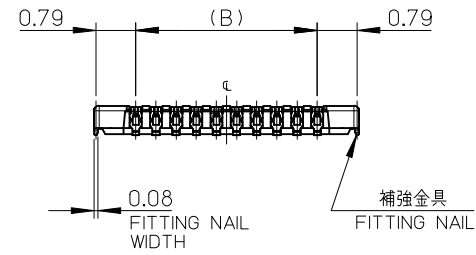
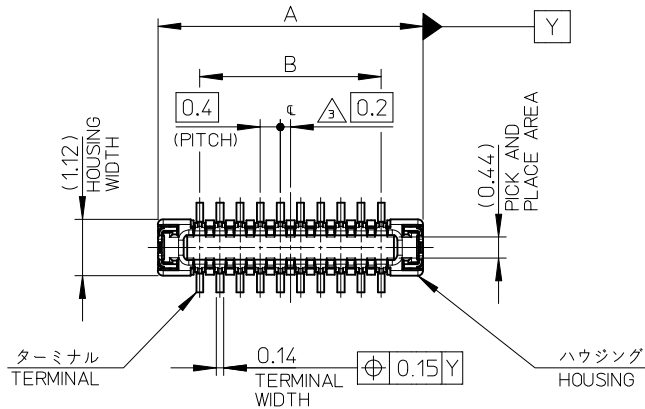
SCALE 10:1 DESIGN UNITS METRIC THIRD ANGLE PROJECTION

0.4 BB CONN. H=0.8
ST8 PLUG ASSY.

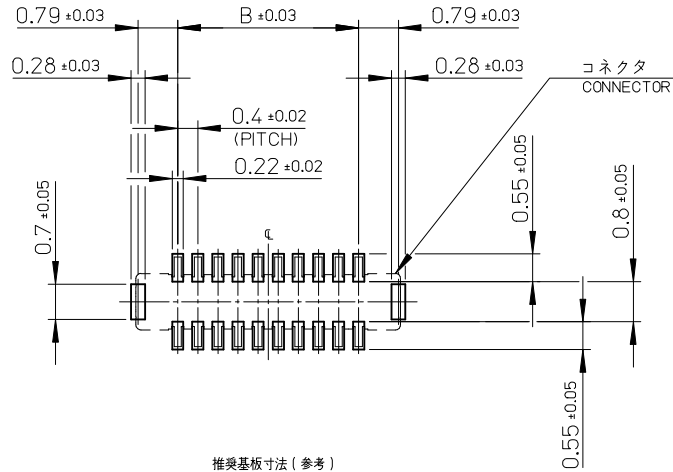
molex

MATERIAL NO. SEE CHART DOCUMENT NO. SD-504248-001 SHEET NO. 1 OF 2

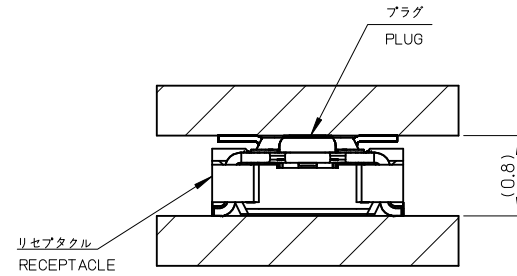
SIZE A3 THIS DRAWING CONTAINS INFORMATION THAT IS PROPRIETARY TO MOLEX INCORPORATED AND SHOULD NOT BE USED WITHOUT WRITTEN PERMISSION



REVISED EC NO: J2014-1162 DRWN:KAMINO 2014/01/24 CHKD:TASAKAWA 2014/01/27 APPR:KMORIKAWA 2014/01/28	DESCRIPTION	GENERAL TOLERANCES (UNLESS SPECIFIED)		DIMENSION STYLE MM ONLY		SCALE 10:1		DESIGN UNITS METRIC		THIRD ANGLE PROJECTION		
		10 UNDER	±0.2	DRAWN BY	DATE	TITLE						
		10 OVER 30 UNDER	±0.25	KAMINO	2013/05/23	0.4 BB CONN. H=0.8 ST8 PLUG ASSY.						
		30 OVER	±0.3	CHECKED BY	DATE	molex						
		ANGULAR ±1 °		RTAKEUCHI	2013/05/23							
DRAFT WHERE APPLICABLE MUST REMAIN WITHIN DIMENSIONS		APPROVED BY	DATE	MATERIAL NO. SEE CHART		DOCUMENT NO. SD-504248-001		SHEET NO. 1 OF 2				
		MSASAO	2013/05/30	THIS DRAWING CONTAINS INFORMATION THAT IS PROPRIETARY TO MOLEX INCORPORATED AND SHOULD NOT BE USED WITHOUT WRITTEN PERMISSION								



推奨基板寸法 (参考)
P.W.BOARD PATTERN LAYOUT (REFERENCE)

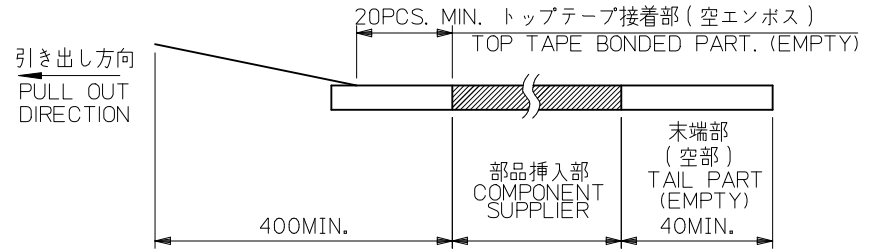
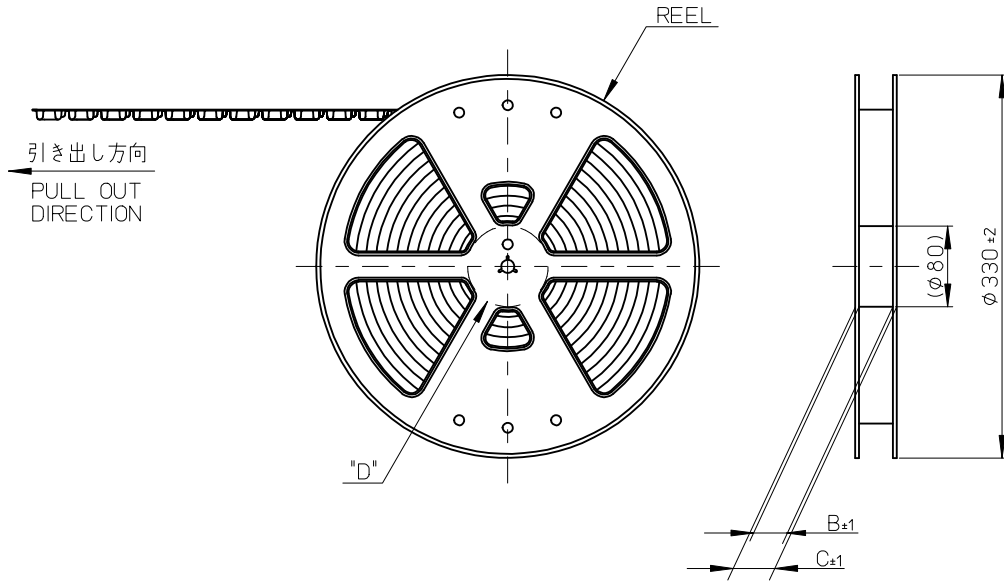


嵌合形状図 (参考)
MATED DRAWING (REFERENCE)

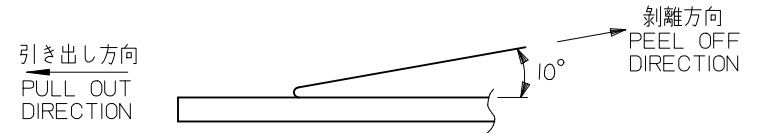
SEE SHEET 1 OF 2 EC NO: J2014-1162 TDR: KAMINO 2014/01/24 CHKD: TASAKAWA 2014/01/27 APPR: KMORIKAWA 2014/01/28	GENERAL TOLERANCES (UNLESS SPECIFIED)		DIMENSION STYLE MM ONLY		SCALE 10:1	DESIGN UNITS METRIC	THIRD ANGLE PROJECTION	
	10 UNDER	± 0.2	DRAWN BY KAMINO	DATE 2013/05/23	TITLE 0.4 BB CONN. H=0.8 ST8 PLUG ASSY.			
	10 OVER 30 UNDER	± 0.25	CHECKED BY RTAKEUCHI	DATE 2013/05/23				
	30 OVER	± 0.3	APPROVED BY MSASAO	DATE 2013/05/30	molex DOCUMENT NO. SD-504248-001 SHEET NO. 2 OF 2			
ANGULAR ±1 °		MATERIAL NO. SEE SHEET 1						
DRAFT WHERE APPLICABLE MUST REMAIN WITHIN DIMENSIONS		SIZE A3		THIS DRAWING CONTAINS INFORMATION THAT IS PROPRIETARY TO MOLEX INCORPORATED AND SHOULD NOT BE USED WITHOUT WRITTEN PERMISSION				

注記 NOTES

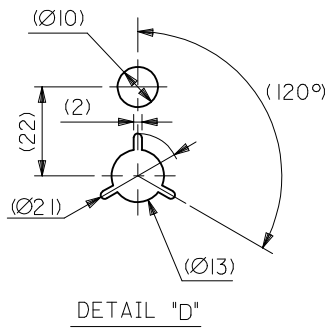
- 製品詳細寸法については製品単体図面を参照下さい。
RE DETAILED DIMENSION, SEE PRODUCT DRAWING.
- 梱包数量: 3000 個/リール
NUMBER OF CONNECTORS : 3000PCS/REEL
- リードテープ長さ LEAD TAPE LENGTH



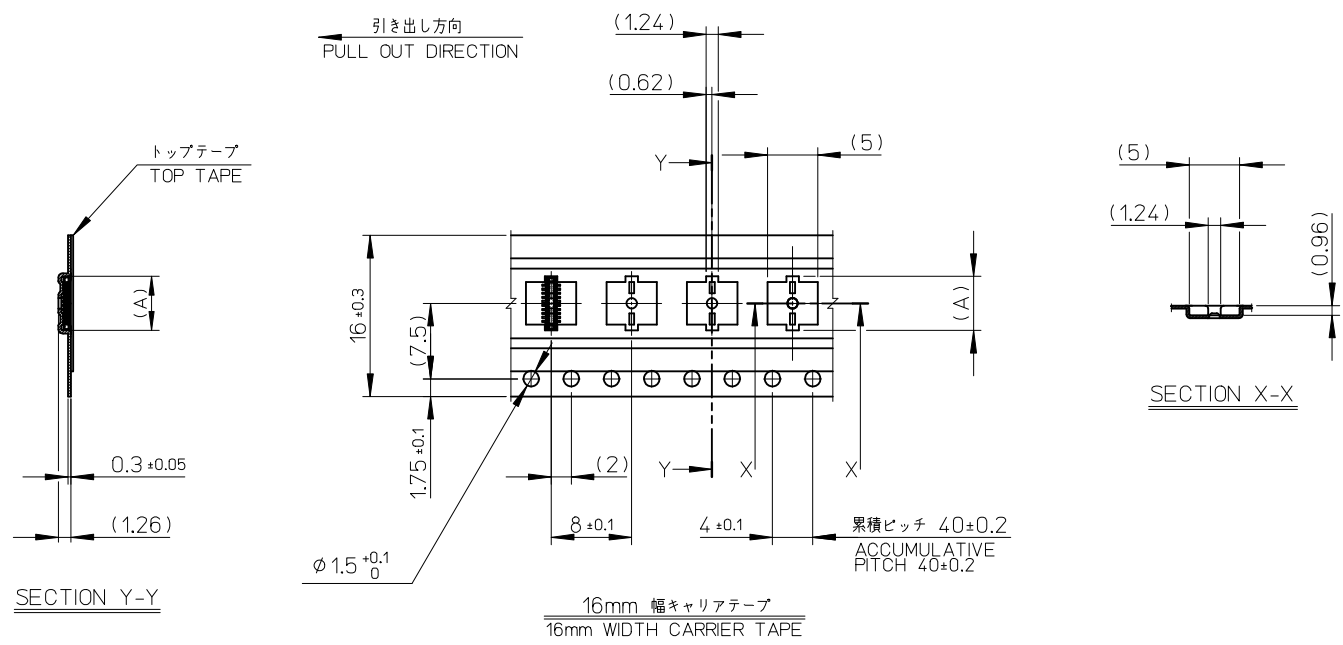
- トップテープの剥離強度: 0.1N~1.3N(10gf~130gf)
(剥離方向は下図参照)
尚、本規格値は出荷時に適用。(但し、輸送時に剥離が発生しないこと。)
PEELING OFF FORCE OF TOP TAPE : 0.1N~1.3N(10gf~130gf)
(PEELING DIRECTION AS SHOWN IN FOLLOWING FIG.)
THIS REQUIREMENT SHOULD BE APPLIED AT SHIPMENT.
PEEL OFF SHOULD NOT BE ALLOWED, DURING TRANSPORTION.



- 材料 MATERIAL
キャリアテープ (CARRIER TAPE): ポリスチレン (POLYSTYRENE)
トップテープ (TOP TAPE): PET, OTHER
リール (REEL): ポリスチレン (PS) <リサイクル材を含む>
POLYSTYRENE (PS) <RECYCLE MATERIAL CONTAINED>
- ELV 及び RoHS適合品
ELV AND RoHS COMPLIANT

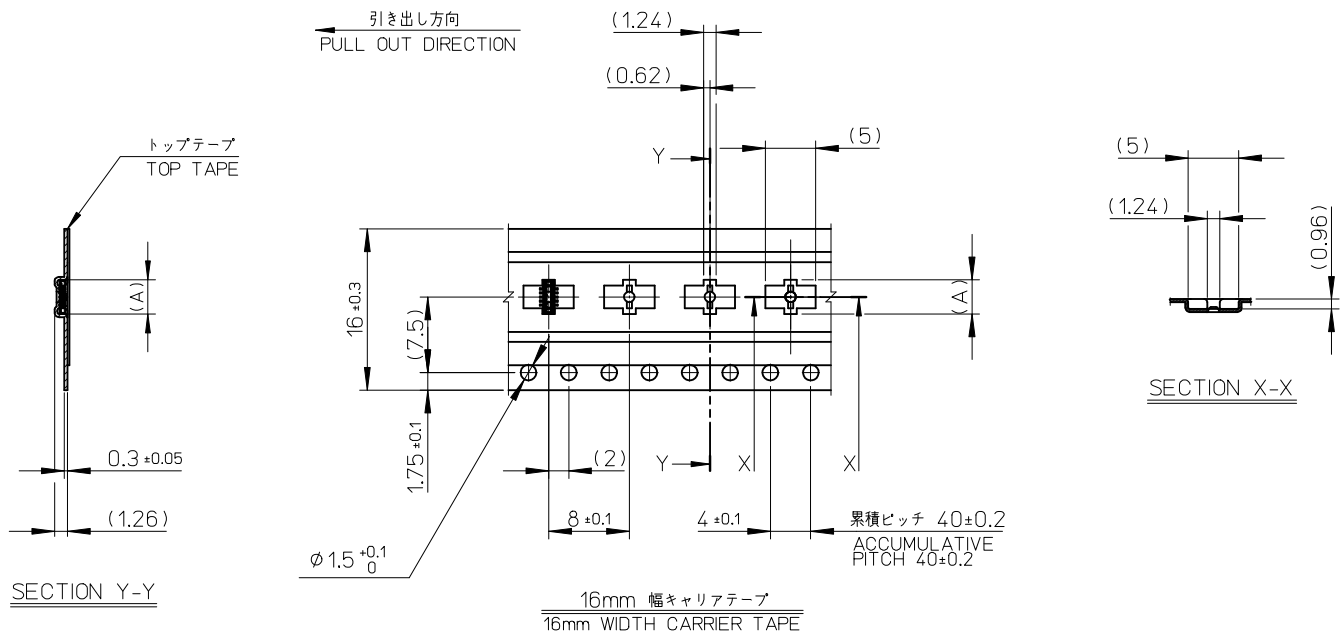


REVISED EC NO: J2014-1162 DRWN: KAMINO 2014/01/27 CHKD: TASAKAWA 2014/01/27 APPR: KMORIKAWA 2014/01/28	DESCRIPTION REV	GENERAL TOLERANCES (UNLESS SPECIFIED)		DIMENSION STYLE MM ONLY		SCALE ---	DESIGN UNITS METRIC	THIRD ANGLE PROJECTION		
		10 UNDER	±0.2	DRAWN BY KAMINO	DATE 2013/05/23	TITLE 0.4 BB CONN. H=0.8 ST8 PLUG ASSY. EMBSTP. PKG				
		10 OVER 30 UNDER	±0.25	CHECKED BY RTAKEUCHI	DATE 2013/05/23					
		30 OVER	±0.3	APPROVED BY MSASAO	DATE 2013/05/30					
ANGULAR ±1 °		DRAFT WHERE APPLICABLE MUST REMAIN WITHIN DIMENSIONS		MATERIAL NO. SEE SHEET 2,3 & 4	DOCUMENT NO. SD-504248-002		SHEET NO. 1 OF 4			
THIS DRAWING CONTAINS INFORMATION THAT IS PROPRIETARY TO MOLEX INCORPORATED AND SHOULD NOT BE USED WITHOUT WRITTEN PERMISSION										



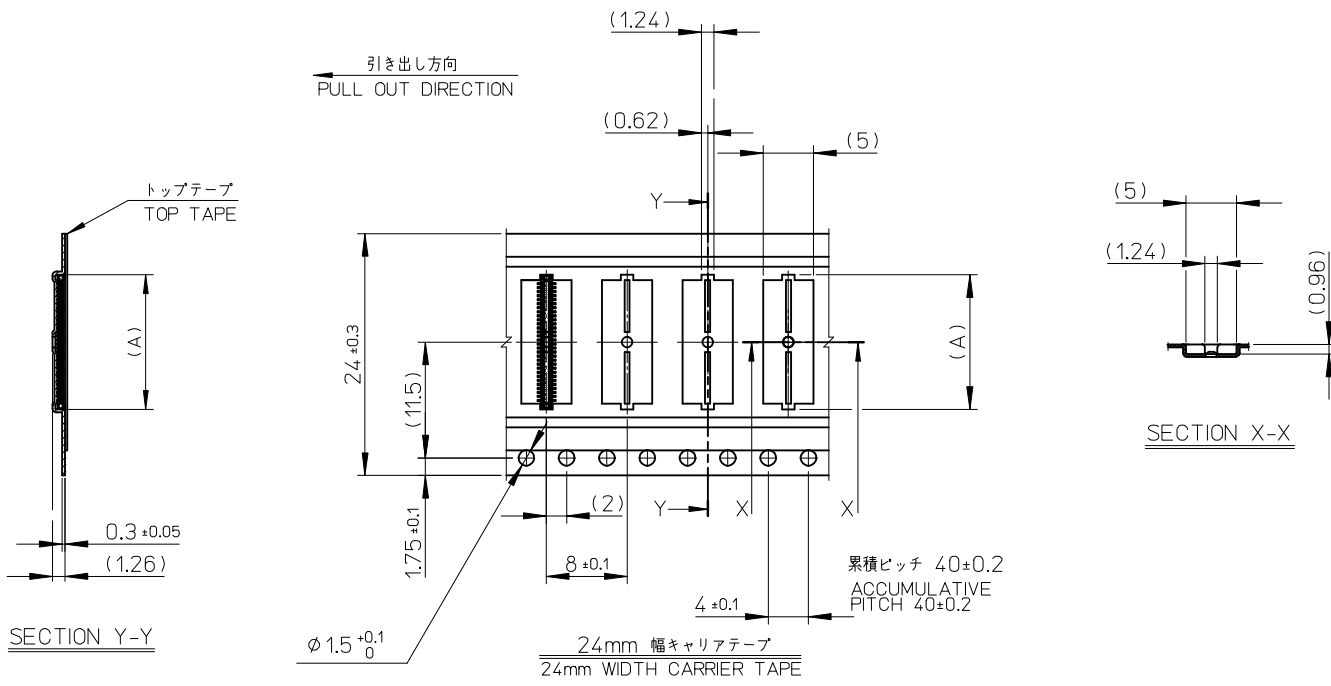
16	21.4	17.4	6.18	504248-2410	○	---	24
			5.38	504248-2010	○	---	20
			4.58	504248-1610	○	---	16
			3.78	504248-1210	○	---	12
キャリアテープ幅 CARRIER TAPE WIDTH	C	B	(A)	MATERIAL No.	量産品 MASS PRODUCTION	試作対応 LOW VOL. TOOL	極数 CIRCUIT
				MODEL No.	504248-**-10		

SEE SHEET 1 OF 4 EC NO: J2014-1162 DRW:KAMINO 2014/01/27 CHKD:TASAKAWA 2014/01/27 APPR:KMORIKAWA 2014/01/28	GENERAL TOLERANCES (UNLESS SPECIFIED)	DIMENSION STYLE MM ONLY	SCALE ---	DESIGN UNITS METRIC	THIRD ANGLE PROJECTION
	10 UNDER ±0.2	DRAWN BY KAMINO	DATE 2013/05/23	TITLE	
	10 OVER 30 UNDER ±0.25	CHECKED BY RTAKEUCHI	DATE 2013/05/23	0.4 BB CONN. H=0.8 ST8 PLUG ASSY. EMBSTP. PKG	
	30 OVER ±0.3	APPROVED BY MSASAO	DATE 2013/05/30		
ANGULAR ±1°	MATERIAL NO.	SEE CHART	DOCUMENT NO.	SD-504248-002	
DRAFT WHERE APPLICABLE MUST REMAIN WITHIN DIMENSIONS	SIZE A3	THIS DRAWING CONTAINS INFORMATION THAT IS PROPRIETARY TO MOLEX INCORPORATED AND SHOULD NOT BE USED WITHOUT WRITTEN PERMISSION			



16	21.4	17.4	3.38	504248-1010	○	---	10
キャリアテープ幅 CARRIER TAPE WIDTH				C	B	(A)	MATERIAL No.
				MODEL No.	504248-**-10		
				量産品 MASS PRODUCTION	試作対応 LOW VOL. TOOL	極数 CIRCUIT	
				サンプル供給 SAMPLE PREPARATION			

SEE SHEET 1 OF 4 EC NO: J2014-1162 DRWN: KAMINO 2014/01/27 CHKD: TASAKAWA 2014/01/27 APPR: KMORIKAWA 2014/01/28 REV D	GENERAL TOLERANCES (UNLESS SPECIFIED)		DIMENSION STYLE MM ONLY		SCALE ---	DESIGN UNITS METRIC	THIRD ANGLE PROJECTION
	10 UNDER	±0.2	DRAWN BY KAMINO	DATE 2013/05/23	TITLE 0.4 BB CONN. H=0.8 ST8 PLUG ASSY. EMBSTP. PKG		
	10 OVER 30 UNDER	±0.25	CHECKED BY RTAKEUCHI	DATE 2013/05/23	molex DOCUMENT NO. SD-504248-002 SHEET NO. 3 OF 4		
	30 OVER	±0.3	APPROVED BY MSASAO	DATE 2013/05/30			
	ANGULAR ±1 °		MATERIAL NO.		THIS DRAWING CONTAINS INFORMATION THAT IS PROPRIETARY TO MOLEX INCORPORATED AND SHOULD NOT BE USED WITHOUT WRITTEN PERMISSION		
DRAFT WHERE APPLICABLE MUST REMAIN WITHIN DIMENSIONS		SEE CHART					

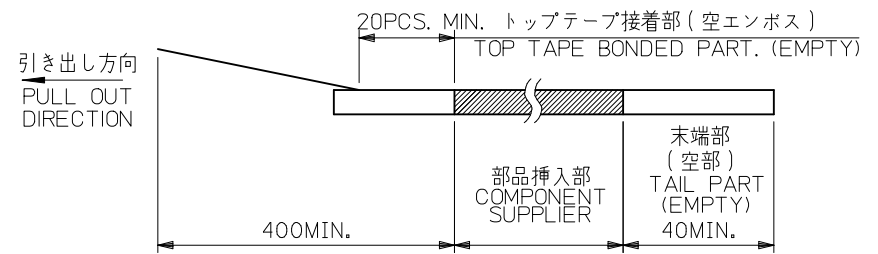
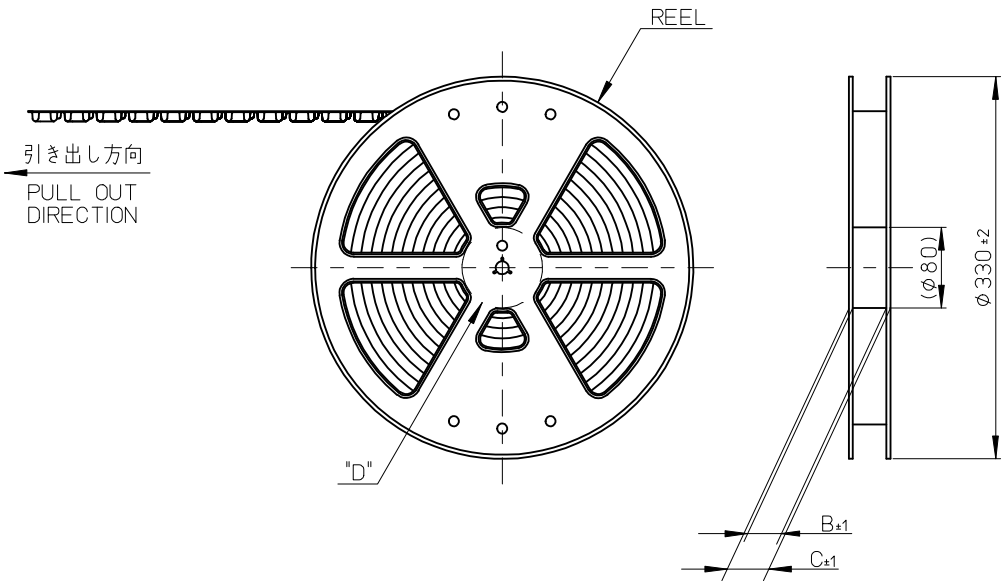


24	29.4	25.4	11.38	504248-5010	○	---	50	
			9.38	504248-4010	○	---	40	
			8.18	504248-3410	○	---	34	
			7.38	504248-3010	○	---	30	
キャリアテープ幅 CARRIER TAPE WIDTH		C	B	(A)	MATERIAL No.	量産品 MASS PRODUCTION	試作対応 LOW VOL. TOOL	極数 CIRCUIT
				MODEL No.	504248-**-10			

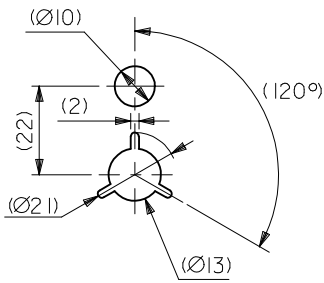
SEE SHEET 1 OF 4 EC NO: J2014-1162 DRWN: KAMINO 2014/01/27 CHKD: TASAKAWA 2014/01/27 APPR: KMORIKAWA 2014/01/28	GENERAL TOLERANCES (UNLESS SPECIFIED)		DIMENSION STYLE MM ONLY		SCALE ---	DESIGN UNITS METRIC	THIRD ANGLE PROJECTION	
	10 UNDER	± 0.2	DRAWN BY KAMINO	DATE 2013/05/23	TITLE 0.4 BB CONN. H=0.8 ST8 PLUG ASSY. EMBSTP. PKG			
	10 OVER 30 UNDER	± 0.25	CHECKED BY RTAKEUCHI	DATE 2013/05/23				
	30 OVER	± 0.3	APPROVED BY MSASAO	DATE 2013/05/30				
ANGULAR ± 1 °		DRAFT WHERE APPLICABLE MUST REMAIN WITHIN DIMENSIONS		MATERIAL NO. SEE CHART		DOCUMENT NO. SD-504248-002	SHEET NO. 4 OF 4	

注記 NOTES

- 製品詳細寸法については製品単体図面を参照下さい。
RE DETAILED DIMENSION, SEE PRODUCT DRAWING.
- 梱包数量：3000 個／リール
NUMBER OF CONNECTORS : 3000PCS/REEL
- リードテープ長さ LEAD TAPE LENGTH

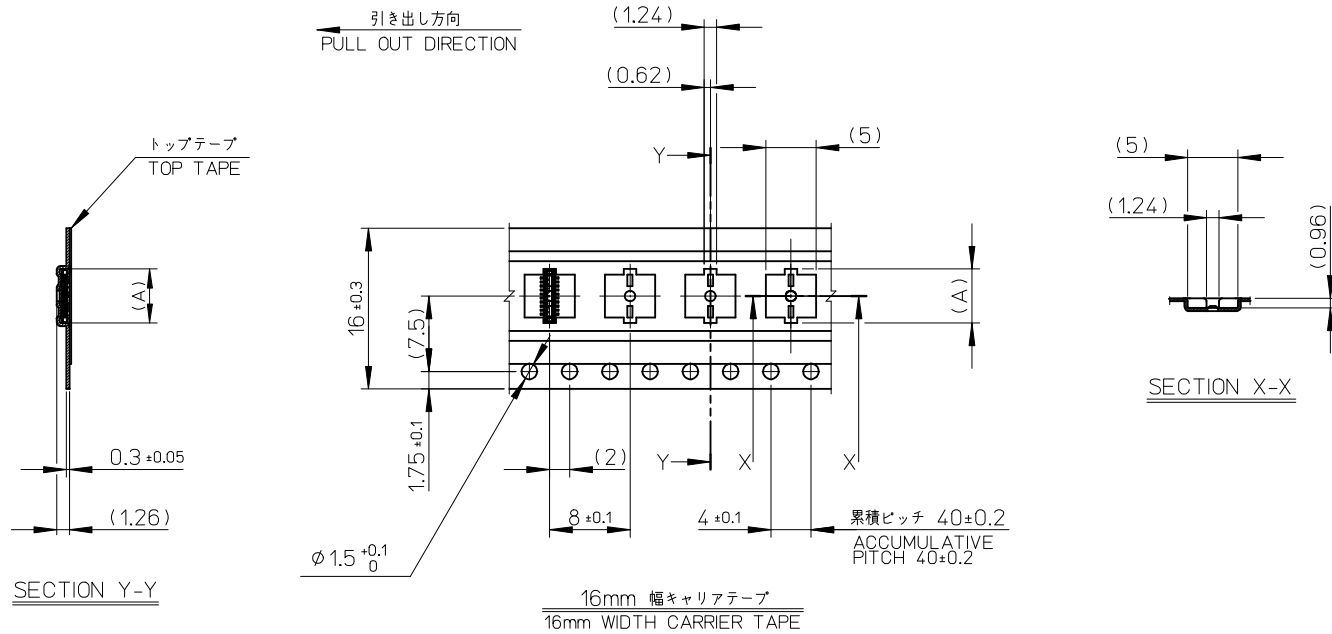


- トップテープの剥離強度については、IEC60286-3に準拠
TOP TAPE PEEL FORCE IS DEFINED BY IEC60286-3.
- 材料 MATERIAL
キャリアテープ (CARRIER TAPE) : ポリスチレン (POLYSTYRENE)
トップテープ (TOP TAPE) : PET , OTHER
リール (REEL) : ポリスチレン (PS) <リサイクル材を含む>
POLYSTYRENE (PS) <RECYCLE MATERIAL CONTAINED>
- ELV 及び RoHS適合品
ELV AND RoHS COMPLIANT



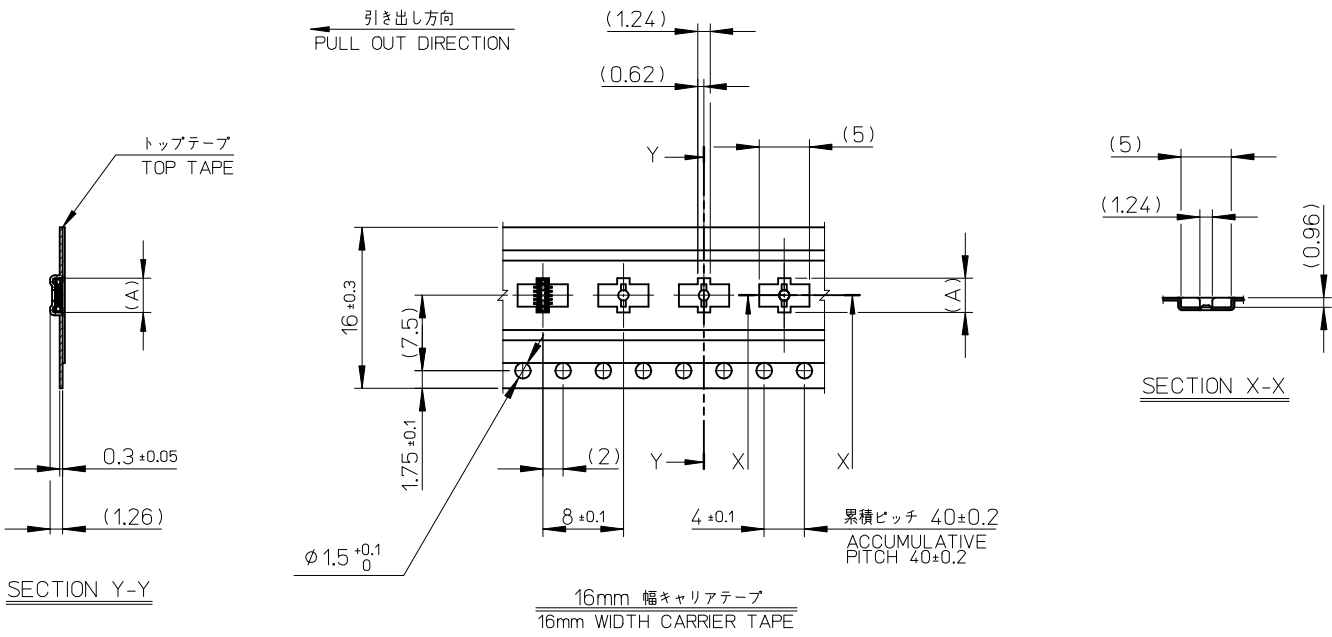
DETAIL "D"

REVISED	EC NO: J2015-0809	DRWN: JFURUKAWA 2014/12/15	CHKD: TASAKAWA 2014/12/15	APPR: KMORIKAWA 2014/12/19	GENERAL TOLERANCES (UNLESS SPECIFIED)		DIMENSION STYLE		SCALE	DESIGN UNITS	THIRD ANGLE PROJECTION
	0.25 UNDER		±0.03		MM ONLY		1:1	METRIC	TITLE 0.4 BB CONN. H=0.8 PLUG ASSY. FOR CHECKER EMBSTP. PKG molex		
	0.25 OVER 0.5 UNDER		±0.05		DRAWN BY DATE		KAMINO 2014/05/13				
	0.5 OVER 1.0 UNDER		±0.1		CHECKED BY DATE		TASAKAWA 2014/05/14				
	1.0 OVER 10 UNDER		±0.2		APPROVED BY DATE		KMORIKAWA 2014/05/15				
30 OVER		±0.3		MATERIAL NO.		DOCUMENT NO.		SHEET NO.			
ANGULAR ±1 °		DRAFT WHERE APPLICABLE MUST REMAIN WITHIN DIMENSIONS		SEE SHEET 2,3 & 4		SD-504248-004		1 OF 4			



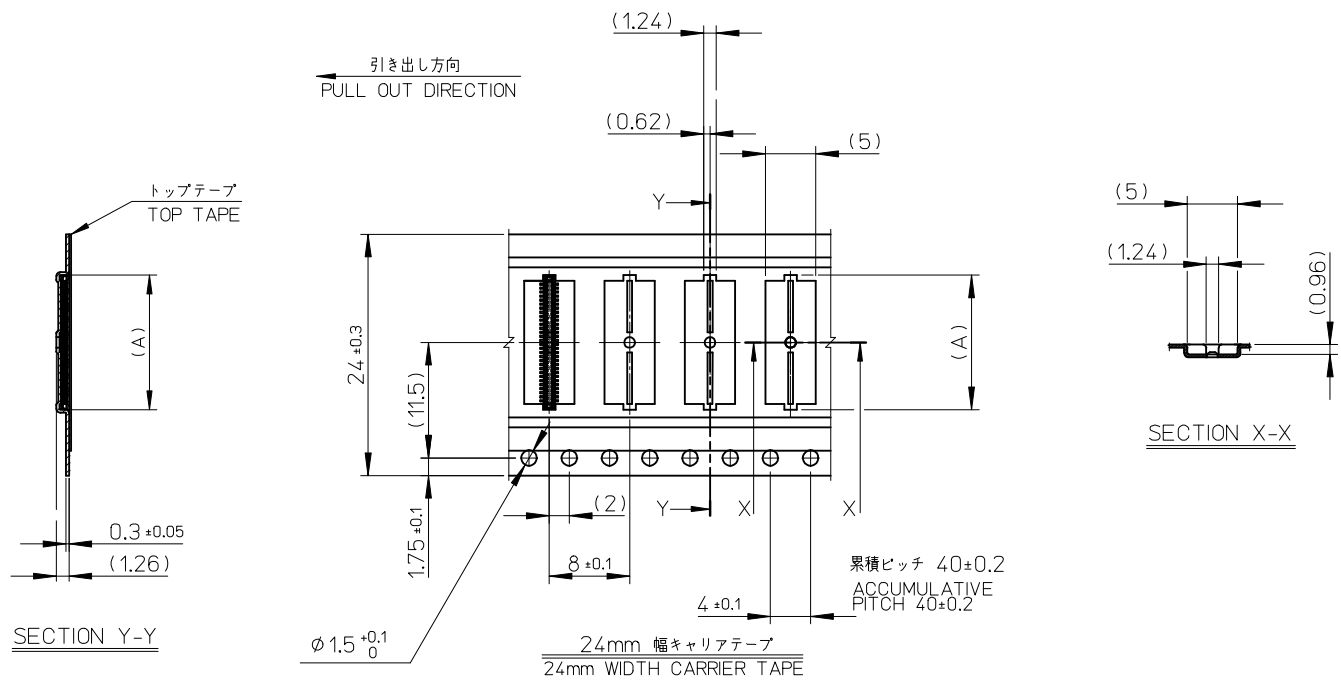
16	21.4	17.4	6.18	504248-2480	o	---	24
キャリアテープ幅 CARRIER TAPE WIDTH				C	B	(A)	MATERIAL No.
				MODEL No.	504248-**-80		
				量産品 MASS PRODUCTION	試作対応 LOW VOL. TOOL	極数 CIRCUIT	24
				サンプル供給 SAMPLE PREPARATION			

SEE SHEET 1 OF 4 EC NO: J2015-0809 DRWN: JURUKAWA 2014/12/15 CHKD: TASAKAWA 2014/12/15 APPR: KMORIKAWA 2014/12/19	GENERAL TOLERANCES (UNLESS SPECIFIED)		DIMENSION STYLE MM ONLY		SCALE ---	DESIGN UNITS METRIC	THIRD ANGLE PROJECTION
	0.25 UNDER	±0.03	DRAWN BY	DATE	TITLE		
	0.25 OVER 0.5 UNDER	±0.05	KAMINO	2014/05/13	0.4 BB CONN. H=0.8 PLUG ASSY. FOR CHECKER EMBSTP. PKG		
	0.5 OVER 1.0 UNDER	±0.1	CHECKED BY	DATE	molex		
	1.0 OVER 10 UNDER	±0.2	TASAKAWA	2014/05/14			
10 OVER 30 UNDER	±0.25	APPROVED BY	DATE	DOCUMENT NO.	SHEET NO.		
30 OVER	±0.3	KMORIKAWA	2014/05/15	SD-504248-004	2 OF 4		
ANGULAR ±1 °		MATERIAL NO.	SEE CHART	THIS DRAWING CONTAINS INFORMATION THAT IS PROPRIETARY TO MOLEX INCORPORATED AND SHOULD NOT BE USED WITHOUT WRITTEN PERMISSION			
DRAFT WHERE APPLICABLE MUST REMAIN WITHIN DIMENSIONS		SIZE A3					



16	21.4	17.4	3.38	504248-1080	o	---	10
キャリアテープ幅 CARRIER TAPE WIDTH	C	B	(A)	MATERIAL No.	量産品 MASS PRODUCTION	試作対応 LOW VOL. TOOL	極数 CIRCUIT
				MODEL No.	504248-**80		

SEE SHEET 1 OF 4 EC NO: J2015-0809 DRWN: JFURUKAWA 2014/12/15 CHKD: TASAKAWA 2014/12/15 APPR: KMORIKAWA 2014/12/19	GENERAL TOLERANCES (UNLESS SPECIFIED)		DIMENSION STYLE MM ONLY		SCALE ---	DESIGN UNITS METRIC	THIRD ANGLE PROJECTION
	0.25 UNDER	±0.03	DRAWN BY	DATE	TITLE		
	0.25 OVER 0.5 UNDER	±0.05	KAMINO	2014/05/13	0.4 BB CONN. H=0.8 PLUG ASSY. FOR CHECKER EMBSTP. PKG		
	0.5 OVER 1.0 UNDER	±0.1	TASAKAWA	2014/05/14	molex DOCUMENT NO. SD-504248-004 SHEET NO. 3 OF 4		
	1.0 OVER 3.0 UNDER	±0.2	APPROVED BY	DATE			
3.0 OVER	±0.3	KMORIKAWA	2014/05/15	SEE CHART			
ANGULAR ±1 °		MATERIAL NO.		THIS DRAWING CONTAINS INFORMATION THAT IS PROPRIETARY TO MOLEX INCORPORATED AND SHOULD NOT BE USED WITHOUT WRITTEN PERMISSION			
DRAFT WHERE APPLICABLE MUST REMAIN WITHIN DIMENSIONS		SIZE A3					



24	29.4	25.4	11.38	504248-5080	o	---	50
			9.38	504248-4080	o	---	40
			8.18	504248-3480	o	---	34
			7.38	504248-3080	o	---	30
キャリアテープ幅 CARRIER TAPE WIDTH	C	B	(A)	MATERIAL No.	最製品 PRODUCTION	試作対応 LOW VOL. TOOL	極数 CIRCUIT
				MODEL No.	サンプル供給 SAMPLE PREPARATION		504248-**-80

SEE SHEET 1 OF 4 EC NO: J2015-0809 DRWN: JFURUKAWA 2014/12/15 CHKD: TASAKAWA 2014/12/15 APPR: KMORIKAWA 2014/12/19	GENERAL TOLERANCES (UNLESS SPECIFIED)		DIMENSION STYLE MM ONLY		SCALE ---	DESIGN UNITS METRIC	THIRD ANGLE PROJECTION
	0.25 UNDER	±0.03	DRAWN BY	DATE	TITLE		
	0.25 OVER 0.5 UNDER	±0.05	KAMINO	2014/05/13	0.4 BB CONN. H=0.8 PLUG ASSY. FOR CHECKER EMBSTP. PKG		
	0.5 OVER 1.0 UNDER	±0.1	CHECKED BY	DATE	molex		
	1.0 OVER 10 UNDER	±0.2	TASAKAWA	2014/05/14			
10 OVER 30 UNDER	±0.25	APPROVED BY	DATE	DOCUMENT NO.	SHEET NO.		
30 OVER	±0.3	KMORIKAWA	2014/05/15	SD-504248-004	4 OF 4		
ANGULAR ±1 °		MATERIAL NO.		SEE CHART			
DRAFT WHERE APPLICABLE MUST REMAIN WITHIN DIMENSIONS		SIZE A3	THIS DRAWING CONTAINS INFORMATION THAT IS PROPRIETARY TO MOLEX INCORPORATED AND SHOULD NOT BE USED WITHOUT WRITTEN PERMISSION				