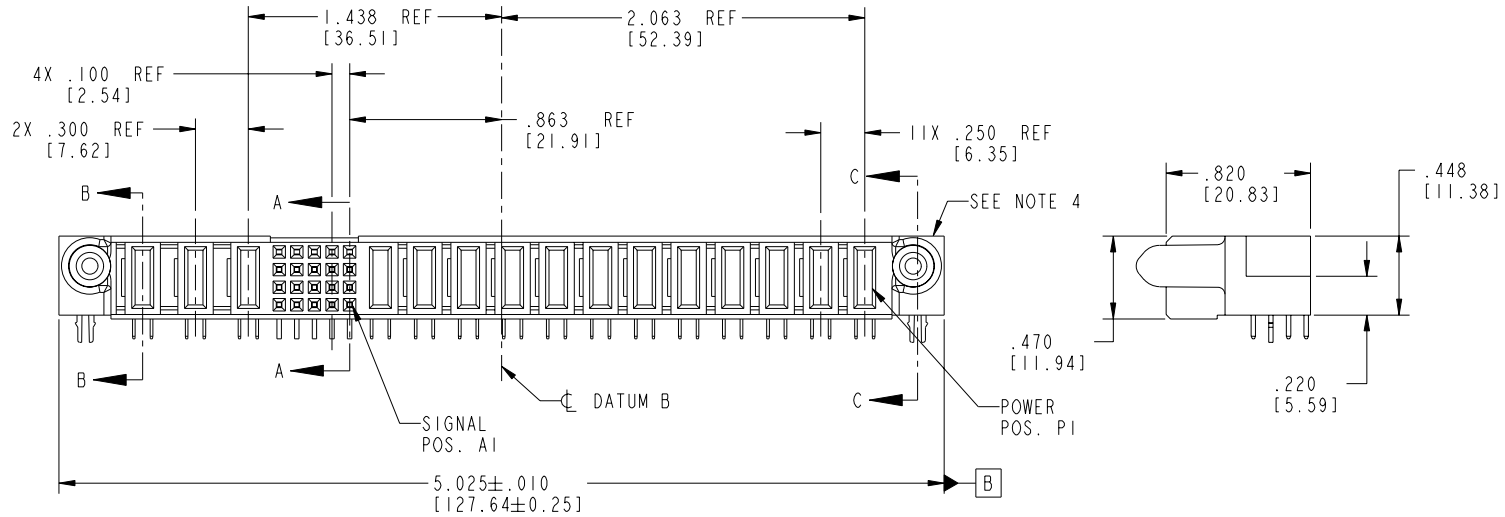


Tous droits strictement réservés. Reproduction ou communication a des tiers interdite sous quelque forme que ce soit sans autorisation écrite du propriétaire. Propriété de c FCI. Droits de reproduction FCI.

All rights strictly reserved. Reproduction or issue to third parties in any form whatever is not permitted without written authority from the proprietor. Property of FCI. Copyright FCI.

PRODUCT NO.	ROWS	POWER			SIGNAL					POWER										E1			
		E2	P15	P14	P13	5	4	3	2	1	P12	P11	P10	P9	P8	P7	P6	P5	P4		P3	P2	P1
51915-033-- NOTE:3	D C B A		PC	PC	PA	H G F E	H G F E	H G F E	H G F E	PC	PC	PC	PC	PC	PC	PC	PC	PC	PC	PC	PC	PC	



CODE	DIM "M" MATING LENGTH	CONTACT TYPE
E	N/A [N/A]	SIGNAL
F	N/A [N/A]	SIGNAL
G	N/A [N/A]	SIGNAL
H	N/A [N/A]	SIGNAL
PA	.042 [1.07]	POWER
PC	.092 [2.34]	POWER
HA	N/A [N/A]	HOLD-DOWN

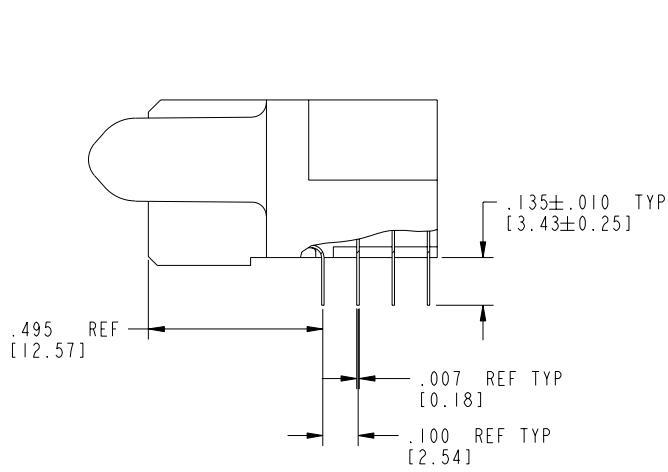
mat'l code SEE NOTE 2				tolerances unless otherwise specified		CUSTOMER		<b>FCI</b> www.fciconnect.com		
ltr	ecn no.	dr	date	linear	projection	COPY		title		
A	V03-0959	TAB	08/28/03	.XXX±.005/0.XX±0.13		12P + 20S + 3ACP		R/A SOLDER RECEPTACLE		
B	DG05-0370	CS	09/30/05	.XXX±.0020/0.XX±0.051		product family PwrBlade		code 213		
				angles	INCH/MM		size		sheet	
				dr	scale 1:1		dwg no		1 of 4	
				enr			51915-033			
				chr						
				appd						
sheet index		revision	B B	B B						
		sheet	1 2	3 4						

cage code 22526 4

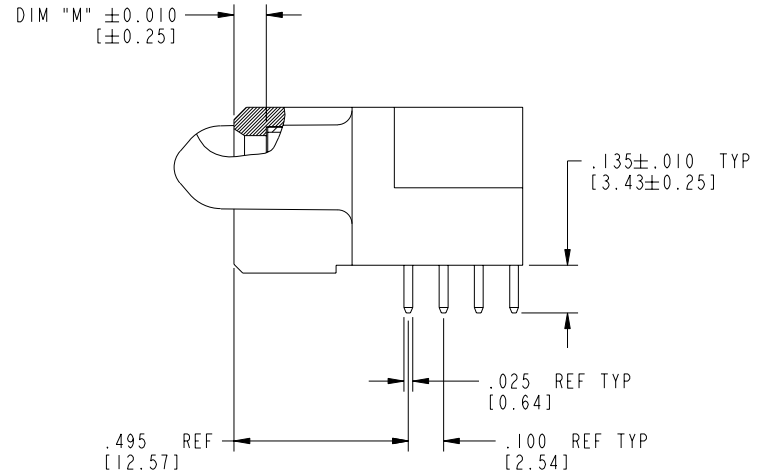
Tous droits strictement réservés. Reproduction ou communication a des tiers interdite sous quelque forme que ce soit sans autorisation écrite du propriétaire. Propriété de c FCI. Droits de reproduction FCI.

All rights strictly reserved. Reproduction or issue to third parties in any form whatever is not permitted without written authority from the proprietor. Property of FCI. Copyright FCI.

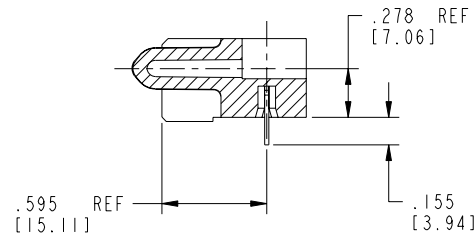
PRODUCT NUMBER  
51915-033\_\_  
NOTE: 3



BROKEN-OUT SECTION A-A  
SCALE: 2:1



BROKEN-OUT SECTION B-B  
SCALE: 2:1



SECTION C-C

mat'l code		SEE NOTE 2		tolerances unless otherwise specified		CUSTOMER		 www.fciconnect.com	
ltr	ecn no.	dr	date	linear	.XX±.01/0.XX±0.3	COPY		projection	
B				angles	.XXX±.005/0.XX±0.13	INCH/MM		title	
				dr	.XXX±.0020/0.XXX±0.051	1:1		12P + 20S + 3ACP	
				enr	0° ± 2°	A		R/A SOLDER RECEPTACLE	
				chr	T. BRUNGARD 08/28/03	scale		product family	
				appd	M. MOSTOLLER 08/28/03	1:1		PwrBlade	
					M. MOSTOLLER 08/28/03	A		code	
sheet index	revision sheet							213	
								sheet	
								2 of 4	

cage code 22526

Pro/E

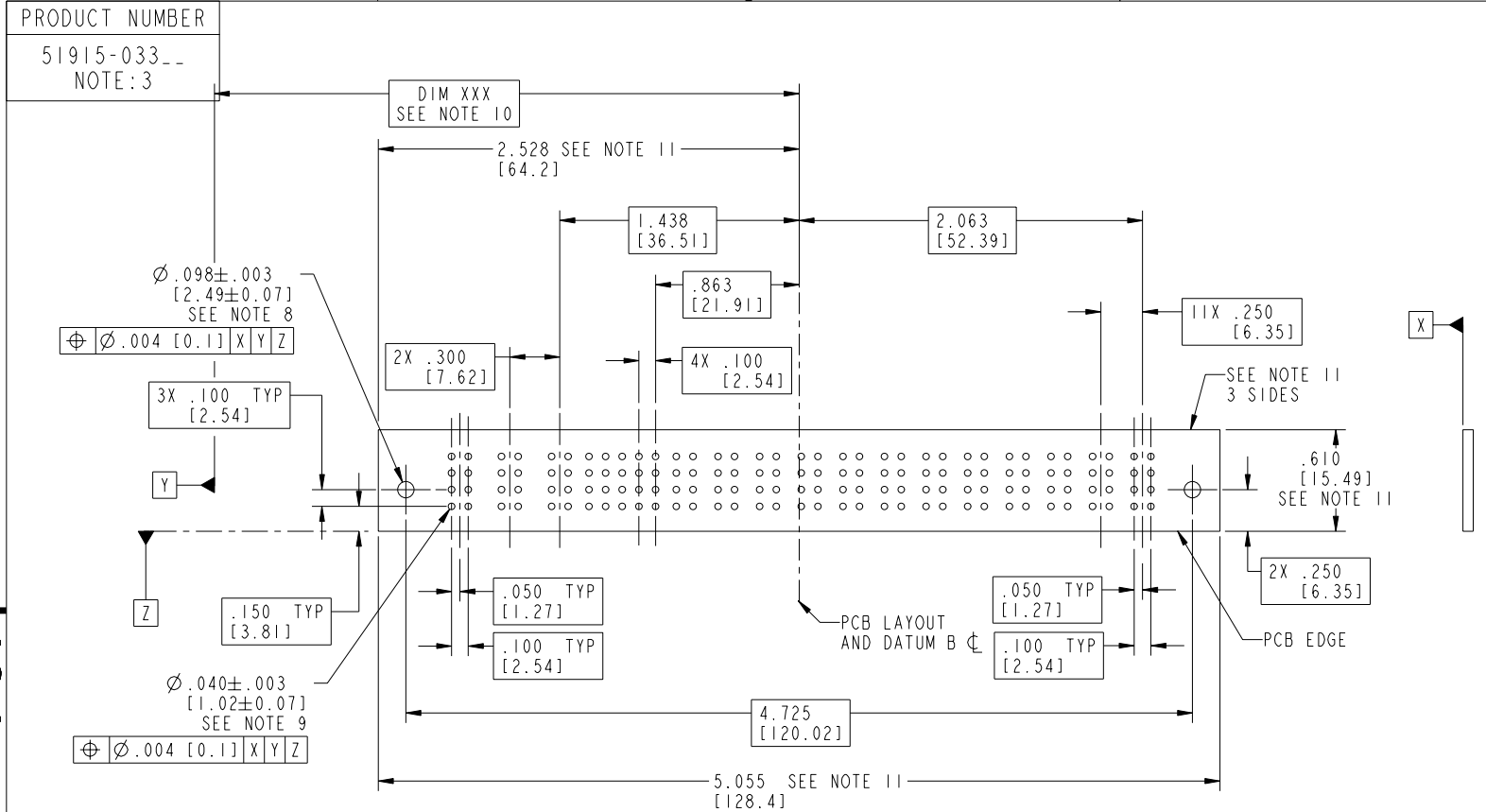
PDM: Rev:B

STATUS: Released

Printed: Dec 20, 2010

Tous droits strictement réservés. Reproduction ou communication a des tiers interdite sous quelque forme que ce soit sans autorisation écrite du propriétaire. Propriété de c FCI. Droits de reproduction FCI.

All rights strictly reserved. Reproduction or issue to third parties in any form whatever is not permitted without written authority from the proprietor. Property of FCI. Copyright FCI.



mat'l code SEE NOTE 2				tolerances unless otherwise specified		CUSTOMER		 www.fciconnect.com	
ltr	ecn no.	dr	date	linear	.XX±.01/0.X±0.3	COPY		title	
B				projection	.XXX±.005/0.XX±0.13			12P + 20S + 3ACP R/A SOLDER RECEPTACLE	
				angles	.XXX±.0020/0.XX±0.051			product family	
				dr	0°±2°	INCH/MM		PwrBlade	
				enrg	T. BRUNGARD 08/28/03	scale		code	
				chr	M. MOSTOLLER 08/28/03	1:1		213	
				appd	M. MOSTOLLER 08/28/03			sheet	
sheet index	revision sheet							3 of 4	

cage code 22526 4

Tous droits strictement réservés. Reproduction ou communication à des tiers interdite sous quelque forme que ce soit sans autorisation écrite du propriétaire. Propriété de c FCI. Droits de reproduction FCI.

All rights strictly reserved. Reproduction or issue to third parties in any form whatever is not permitted without written authority from the proprietor. Property of FCI. Copyright FCI.

PRODUCT NUMBER  
51915-033\_  
NOTE: 3

NOTES:

1. DIMENSIONS AND TOLERANCES ARE IN ACCORDANCE WITH ASME Y14.5M, 1994 UNLESS OTHERWISE SPECIFIED.

CONNECTOR NOTES:

② HOUSING MATERIAL: UL 94 V-0 GLASS FILLED  
HIGH-TEMP THERMOPLASTIC  
POWER CONTACT MATERIAL: COPPER ALLOY  
SIGNAL PIN MATERIAL: COPPER ALLOY

3. PLATING:  
51915-033 Singal Pin: 30u"/0.76um Au OVER 50u"/1.27um Ni ON THE CONTACT AREA,  
AND 100u"/2.54um SnPb PLATING OVER 50u"/1.27um Ni ON THE TERMINATION SECTION.  
Power Pin: 30u"/0.76um Au OVER 50u"/1.27um Ni ON THE CONTACT AREA,  
AND 100u"/2.54um SnPb PLATING OVER 50u"/1.27um Ni ON THE TERMINATION SECTION.  
51915-033LF Singal Pin: 30u"/0.76um Au OVER 50u"/1.27um Ni ON THE CONTACT AREA,  
AND 78u"/2.00um Sn PLATING OVER 50u"/1.27um Ni ON THE TERMINATION SECTION.  
Power Pin: 30u"/0.76um Au OVER 50u"/1.27um Ni ON THE CONTACT AREA,  
AND 78u"/2.00um Sn PLATING OVER 50u"/1.27um Ni ON THE TERMINATION SECTION.

PART NUMBER 51915-033LF MEETS EUROPEAN UNION DIRECTIVE AND OTHER COUNTRY REGULATIONS AS DESCRIBED IN GS-22-008.  
THE HOUSING WILL WITHSTAND EXPOSURE TO 260° PEAK TEMPERATURE FOR 10 SECONDS IN A WAVE SOLDER APPLICATION WITH A CIRCUIT BOARD.

④ MANUFACTURER'S NAME, P/N, AND DATE CODE TO APPEAR ON THIS SURFACE.  
5. PRODUCT SPECIFICATION GS-12-149.  
APPLICATION SPECIFICATION BUS-20-067.

6. PACKAGED IN TRAYS.

PCB NOTES:




7. ALL HOLE DIAMETERS ARE FINISHED HOLE SIZE.

⑧ MOUNTING HOLES, WHERE APPLICABLE, ARE UNPLATED.

⑨  $\varnothing .0453 \pm .0010$  [1.151 ± 0.025] DRILLED HOLES PLATED WITH .0003 [0.008] MIN SnPb OVER .001 [0.03] TO .003 [0.08] Cu PLATING TO ACHIEVE  $\varnothing .040 \pm .003$  [1.02 ± .07] HOLE.

⑩ "DIM XXX" TO BE DETERMINED BY THE CUSTOMER.

⑪ CONNECTOR KEEP-OUT ZONE.

mat'l code				SEE NOTE 2		tolerances unless otherwise specified		CUSTOMER		 www.fciconnect.com	
ltr	ecn no.	dr	date	linear	.XX±.01/0.X±0.3		COPY		projection	title	
B					.XXX±.005/0.XX±0.13					12P + 20S + 3ACP R/A SOLDER RECEPTACLE	
				angles	.XXXX±.0020/0.XXX±0.051		INCH/MM			product family	
				dr	0° ± 2°		1:1			PwrBlade	
				enr	T. BRUNGARD 08/28/03		A		code		
				chr	M. MOSTOLLER 08/28/03		size		213		
				appd	M. MOSTOLLER 08/28/03		dwg no		sheet		
sheet index		revision sheet						51915-033		4 of 4	

cage code 22526 4

# Mouser Electronics

Authorized Distributor

Click to View Pricing, Inventory, Delivery & Lifecycle Information:

[FCI:](#)

[51915-033](#)