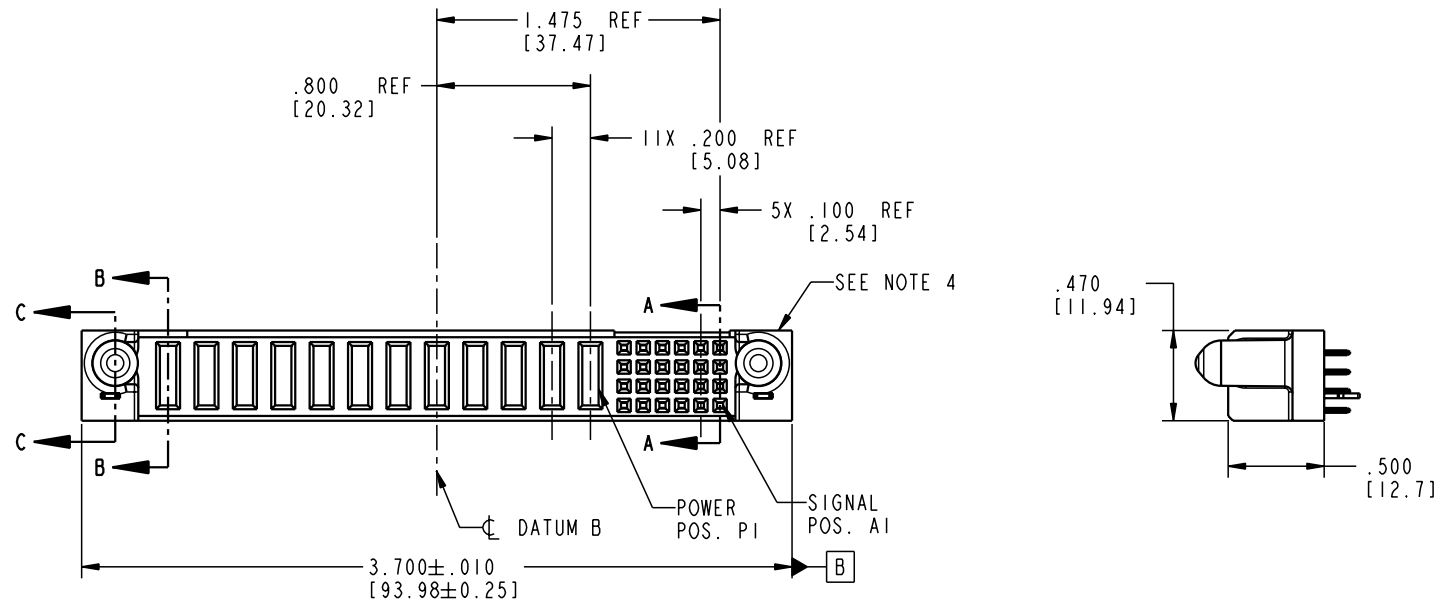


Tous droits strictement réservés. Reproduction ou communication o des liens interdite sous quelque forme que ce soit sans autorisation écrite du propriétaire. Propriete de c FCI. Droits de reproduction FCI.

All rights strictly reserved. Reproduction or issue to third parties in any form whenever is not permitted without written authority from the proprietor. Property of FCI. Copyright FCI.



PRODUCT NO.	ROWS	POWER														SIGNAL						
		E2	P12	P11	P10	P9	P8	P7	P6	P5	P4	P3	P2	P1	6	5	4	3	2	1	E1	
51940-073	D C B A		PA	PA	PA	PA	PA	PA	PA	PA	PA	PA	PA	PA	E	E	E	E	E	E	E	E



CODE	DIM "M" MATING LENGTH	CONTACT TYPE
E	N/A [N/A]	SIGNAL
PA	.042 [1.07]	POWER
HA	N/A [N/A]	HOLD-DOWN

mat'l code				SEE NOTE 2		tolerances unless otherwise specified		CUSTOMER		www.fciconnect.com	
ltr	ecm no.	dr	date	linear	.XX±.01/0.X±0.3		COPY		title		
A	V04-0092	TAB	01/30/04		.XXX±.005/0.XX±0.13		projection		24S + 12P		
					.XXX±.0020/0.XXX±0.051				VERTICAL SOLDER RECEPT		
				angles	0°±		INCH/MM		product family		code
				dr	T. BRUNGARD	01/30/04	scale		PwrBlade		213
				engr	M. GRAY	01/30/04	1:1		size		sheet
				chr	M. GRAY	01/30/04			A		51940-073
				appd	M. GRAY	01/30/04					1 of 4
sheet index	revision sheet	A	A	A	A						
		1	2	3	4						

cage code 22526

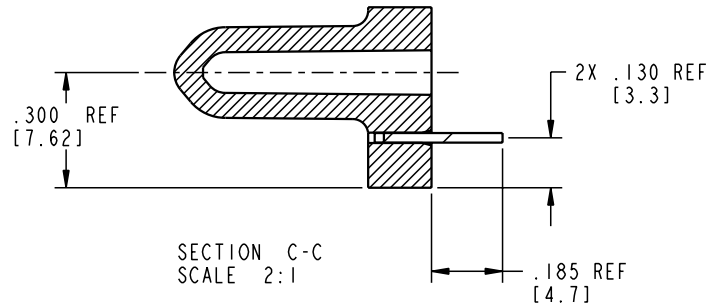
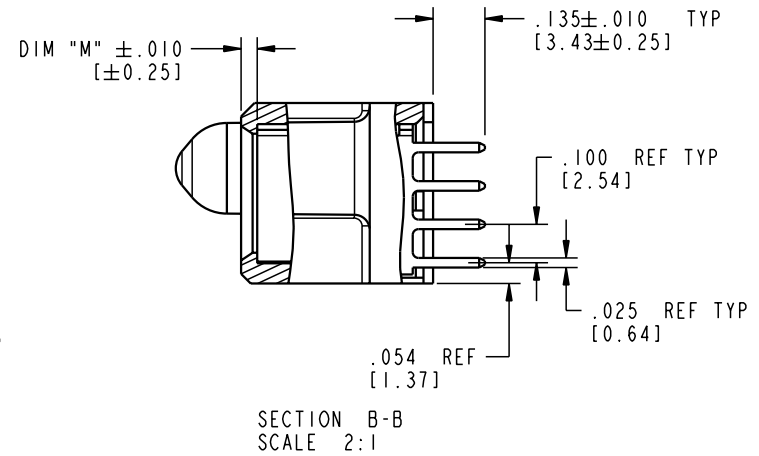
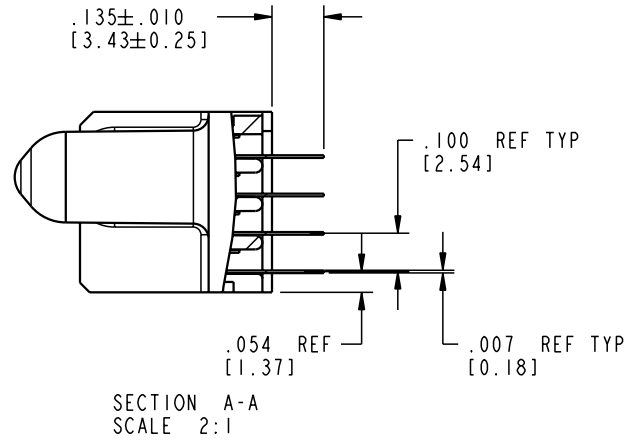
Pro/E

Tous droits strictement réservés. Reproduction ou communication o des tiers interdite sous quelque forme que ce soit sans autorisation écrite du propriétaire. Propriete de c FCI. Droits de reproduction FCI.

FCI

All rights strictly reserved. Reproduction or issue to third parties in any form, whatever is not permitted without written authority from the proprietor. Property of FCI. Copyright FCI.

PRODUCT NUMBER
51940-073



mat'l code				SEE NOTE 2		tolerances unless otherwise specified		CUSTOMER		 www.fciconnect.com	
ltr	ecn no.	dr	date	linear	.XX±.01/0.X±0.3		COPY		title		
A					.XXX±.005/0.XX±0.13		projection		24S + 12P		
					.XXX±.0020/0.XXX±0.051				VERTICAL SOLDER RECEIPT		
				angles	0° ± 2°		INCH/MM		product family		code
				dr	T. BRUNGARD	01/30/04	scale		PwrBlade		213
				enr	M. GRAY	01/30/04	1:1		size		sheet
				chr	M. GRAY	01/30/04			A		51940-073
				appd	M. GRAY	01/30/04					2 of 4
sheet index		revision sheet									

Pro/E

cage code 22526

PDM: Rev:A

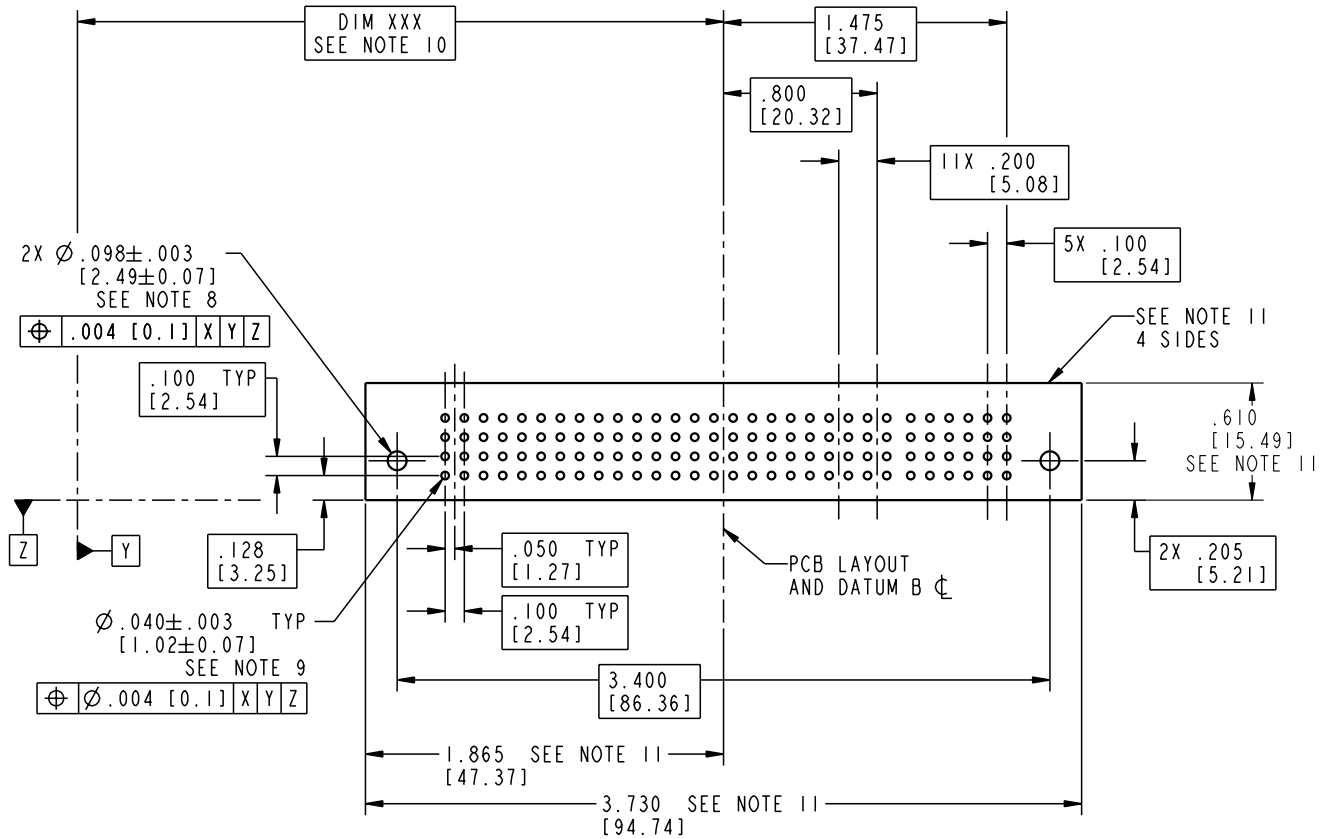
STATUS: Released

Printed: Dec 20, 2010

Tous droits strictement réservés. Reproduction ou communication o des tiers interdite sous quelque forme que ce soit sans autorisation écrite du propriétaire. Propriete de c FCI. Droits de reproduction FCI.

All rights strictly reserved. Reproduction or issue to third parties in any form whatever is not permitted without written authority from the proprietor. Property of FCI. Copyright FCI.

PRODUCT NUMBER
51940-073



mat'l code				SEE NOTE 2		tolerances unless otherwise specified		CUSTOMER		 www.fciconnect.com	
ltr	ecn no.	dr	date	linear	.XX ± .01/0.X ± 0.3	projection	COPY		title		
A				angles	.XXX ± .005/0.XX ± 0.13				24S + 12P		
				dr	.XXX ± .0020/0.XXX ± 0.051	INCH/MM			VERTICAL SOLDER RECEIPT		
				enr	0° ± 2°	scale	product family		PwrBlade		
				chr	T. BRUNGARD 01/30/04	1:1	size		code		
				appd	M. GRAY 01/30/04		dwg no		213		
sheet index		revision sheet						A		51940-073	
										3 of 4	

Pro/E

cage code 22526

PDM: Rev:A

STATUS: Released

Printed: Dec 20, 2010

Tous droits strictement réservés. Reproduction ou communication o des tiers interdite sous quelque forme que ce soit sans autorisation écrite du propriétaire. Propriete de c FCI. Droits de reproduction FCI.

A
FCI

All rights strictly reserved. Reproduction or issue to third parties in any form, whatever is not permitted without written authority from the proprietor. Property of FCI. Copyright FCI.

A

B

PRODUCT NUMBER
51940-073

NOTES:

1. DIMENSIONS AND TOLERANCES ARE IN ACCORDANCE WITH ASME Y14.5M, 1994 UNLESS OTHERWISE SPECIFIED.

CONNECTOR NOTES:

2 HOUSING MATERIAL: UL 94 V-0 GLASS FILLED

HIGH-TEMP THERMOPLASTIC
POWER CONTACT MATERIAL: COPPER ALLOY
SIGNAL PIN MATERIAL: COPPER ALLOY

3. PLATING:
SIGNAL PINS: 30u"/0.76um Au OVER 50u"/1.27um Ni
POWER CONTACTS: 50u"/1.27um Ni UNDER ALL WITH 30u"/0.76um Au ON CONTACT AREA AND SnPb ON PCB INTERFACE

4 MANUFACTURER'S NAME, P/N, AND DATE CODE TO APPEAR ON THIS SURFACE.

5. PRODUCT SPECIFICATION GS-12-149.
APPLICATION SPECIFICATION BUS-20-067.

6. PACKAGED IN TRAYS.

PCB NOTES:


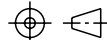
7. ALL HOLE DIAMETERS ARE FINISHED HOLE SIZE.

8 MOUNTING HOLES, WHERE APPLICABLE, ARE UNPLATED.

9 $\varnothing .0453 \pm .0010$ [1.151 \pm 0.025] DRILLED HOLES PLATED WITH .0003 [0.008] MIN SnPb OVER .001 [0.03] TO .003 [0.08] Cu PLATING TO ACHIEVE $\varnothing .040 \pm .003$ [1.02 \pm .07] HOLE.

10 "DIM XXX" TO BE DETERMINED BY THE CUSTOMER.

11 CONNECTOR KEEP-OUT ZONE.

mat'l code				SEE NOTE 2		tolerances unless otherwise specified		CUSTOMER		 www.fciconnect.com	
ltr	ecn no.	dr	date	linear	.XX±.01/0.X±0.3		COPY		title		
A					.XXX±.005/0.XX±0.13		projection		24S + 12P		
					.XXX±.0020/0.XXX±0.051				VERTICAL SOLDER RECEPT		
				angles	$0^{\circ} \pm 2^{\circ}$		INCH/MM		product family		code
				dr	T. BRUNGARD	01/30/04	scale		PwrBlade		213
				enr	M. GRAY	01/30/04	1:1		size		sheet
				chr	M. GRAY	01/30/04			A		4 of 4
				appd	M. GRAY	01/30/04			51940-073		
sheet index		revision sheet							cage code		
									22526		

A

B

1 | 2

3 |

4

1 | 2

Pro/E

3 |

cage code 22526

4

Mouser Electronics

Authorized Distributor

Click to View Pricing, Inventory, Delivery & Lifecycle Information:

[FCI / Amphenol:](#)

[51940-073](#)