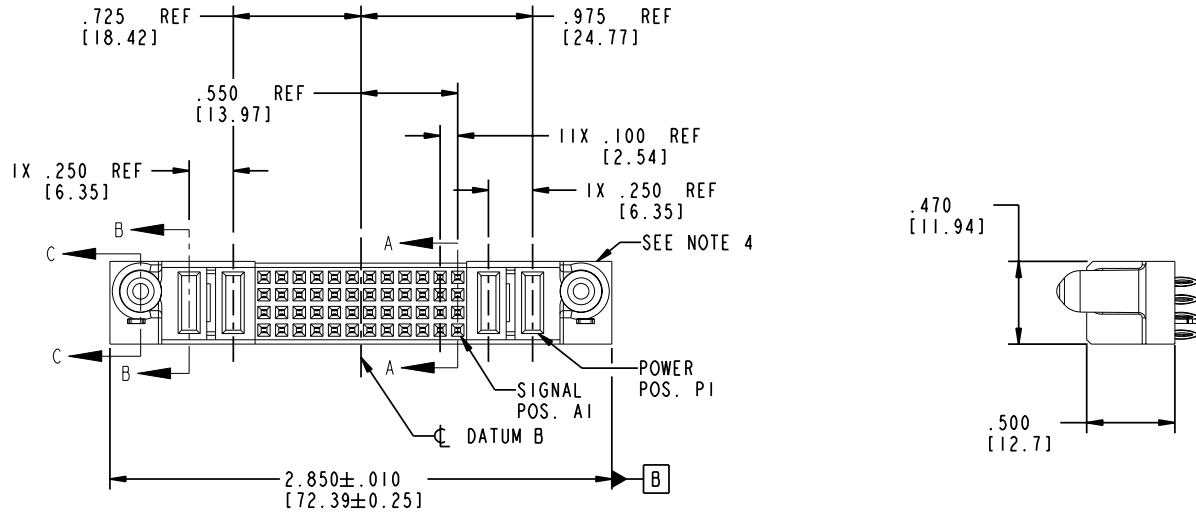


Tous droits strictement réservés. Reproduction ou communication à des tiers interdite sous quelque forme que ce soit sans autorisation écrite du propriétaire. Propriété de FCI. Droits de reproduction FCI.

All rights strictly reserved. Reproduction or issue to third parties in any form whatever is not permitted without written authority from the proprietor. Property of FCI. Copyright FCI.

PRODUCT NO.	ROWS	POWER				SIGNAL												POWER		
		E2	P4	P3		12	11	10	9	8	7	6	5	4	3	2	1	P2	P1	E1
51750-044 Note: ③	DCBA					F	F	F	F	F	F	F	F	F	F	F	F	F	F	F
						F	F	F	F	F	F	F	F	F	F	F	F	F	F	F
						F	F	F	F	F	F	F	F	F	F	F	F	F	F	F



CODE	DIM "M" MATING LENGTH	CONTACT TYPE
F	N/A [N/A]	SIGNAL
PC	.042 [1.07]	POWER
PF	.092 [2.34]	POWER
HA	N/A [N/A]	HOLD-DOWN

mat'l code				SEE NOTE 2		tolerances unless otherwise specified		CUSTOMER		 www.fciconnect.com	
ltr	ecn no.	dr	date	linear		.XX±.01/0.X±0.3		COPY		title	
A	V03-0160	CGD	02/06/03			.XXX±.005/0.XX±0.13		projection		2P + 48S + 2P	
B	DG05-0112	GvoJM	05/18/05			.XXX±.0020/0.XX±0.051				VERTICAL PRESS FIT RECEPT	
				angles		0°±2°				product family	
				dr		C. DAILY 02/06/03		INCH/MM		PwrBlade	
				enrg		M. MOSTOLLER 02/06/03		size		code	
				chr		M. MOSTOLLER 02/06/03		scale		213	
				appd		M. MOSTOLLER 02/06/03		1:1		sheet	
sheet index		revision	B	B	B	B		A		1 of 4	
		sheet	1	2	3	4		51750-044			

Pro/E

cage code 22526

PDM: Rev:B

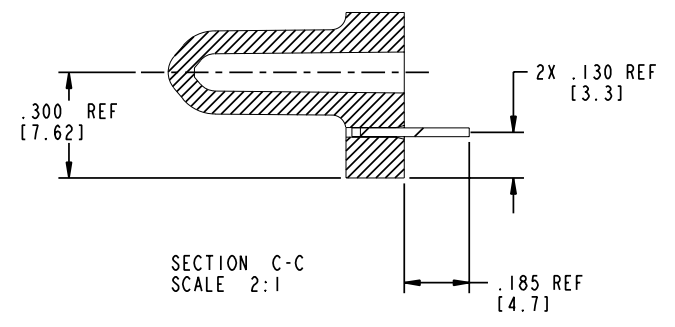
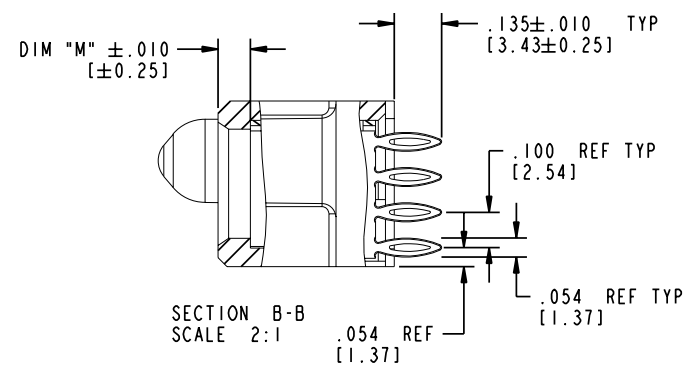
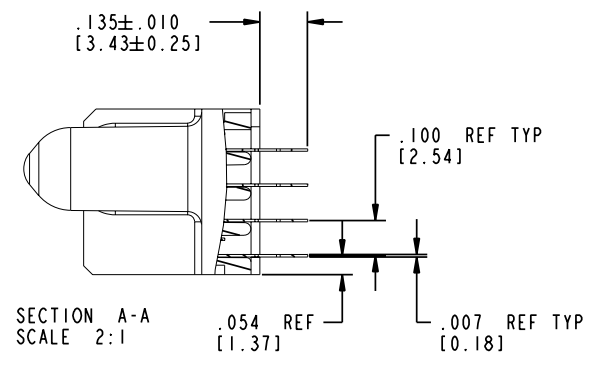
STATUS: Released

Printed: Dec 20, 2010

Tous droits strictement réservés. Reproduction ou communication a des tiers interdite sous quelque forme que ce soit sans autorisation écrite du propriétaire. Propriété de c FCI. Droits de reproduction FCI.

All rights strictly reserved. Reproduction or issue to third parties in any form whatever is not permitted without written authority from the proprietor. Property of FCI. Copyright FCI.

PRODUCT NUMBER
51750-044..
 Note: ③



mat'l code		SEE NOTE 2		tolerances unless otherwise specified		CUSTOMER		 www.fciconnect.com	
ltr	ecn no.	dr	date	linear	.XX±.01/0.X±0.3	COPY		projection	title
B					.XXX±.005/0.XX±0.13				2P + 48S + 2P
				angles	.XXX±.0020/0.XX±0.051				VERTICAL PRESS FIT RECEIPT
				dr	0°±2°	C. DAILY 02/06/03			product family
				engr		M. MOSTOLLER 02/06/03		size	PwrBlade
				chr		M. MOSTOLLER 02/06/03		scale	code
				appd		M. MOSTOLLER 02/06/03		1:1	213
sheet index	revision sheet							A	51750-044
									2 of 4

Pro/E

cage code **22526**

PDM: Rev:B

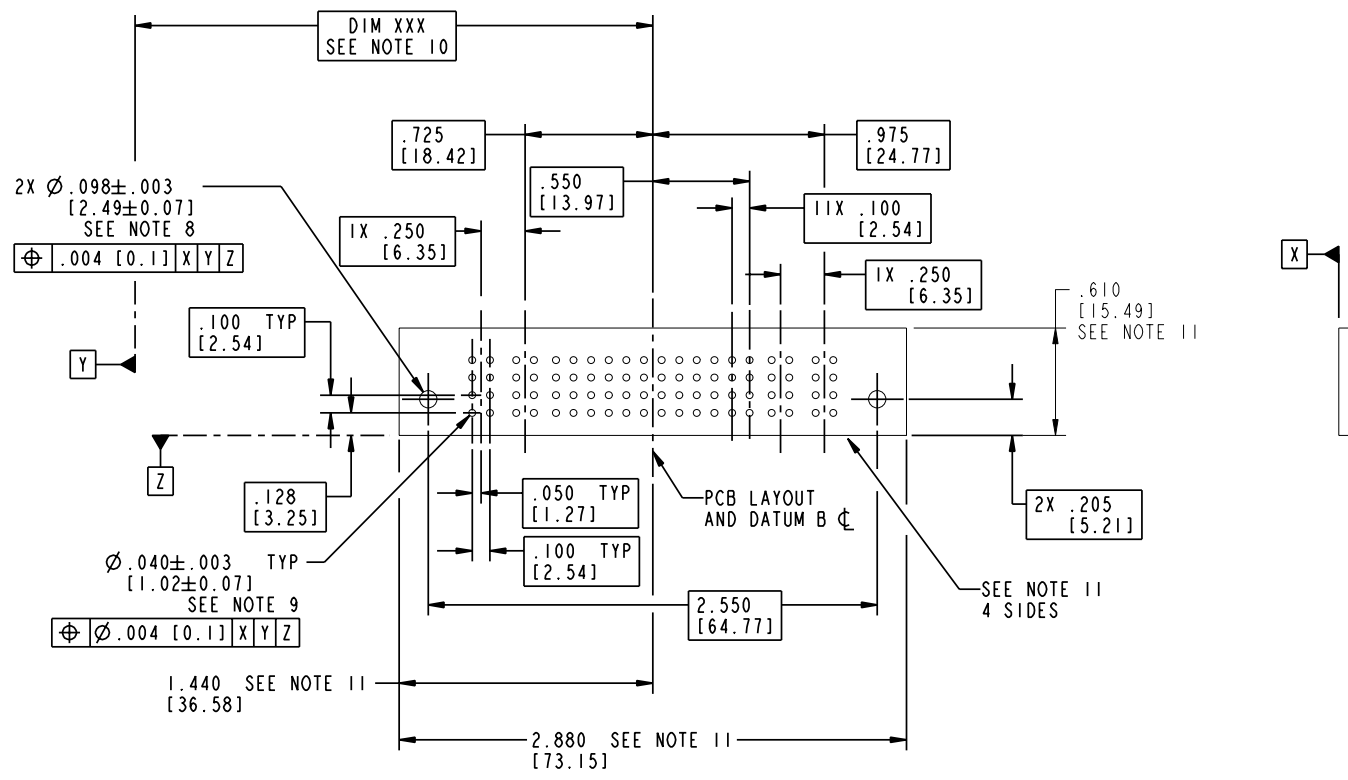
STATUS: Released

Printed: Dec 20, 2010

Tous droits strictement réservés. Reproduction ou communication a des tiers interdite sous quelque forme que ce soit sans autorisation écrite du propriétaire. Propriété de c FCI. Droits de reproduction FCI.

All rights strictly reserved. Reproduction or issue to third parties in any form whatever is not permitted without written authority from the proprietor. Property of FCI. Copyright FCI.

PRODUCT NUMBER
51750-044..
 Note: ③



mat'l code		SEE NOTE 2		tolerances unless otherwise specified		CUSTOMER		 www.fciconnect.com	
ltr	ecn no.	dr	date	linear	.XX±.01/0.X±0.3		COPY		title 2P + 48S + 2P
B				angles	.XXX±.005/0.XX±0.13		projection		
				dr	.XXX±.0020/0.XXX±0.051		INCH/MM		product family
				enrg	0° ± 2°		scale		PwrBlade
				chr	C. DAILY 02/06/03		1:1		code
				appd	M. MOSTOLLER 02/06/03				213
					M. MOSTOLLER 02/06/03				sheet
sheet index	revision sheet								3 of 4

Pro/E 3 cage code **22526** 4

Tous droits strictement réservés. Reproduction ou communication a des tiers interdite sous quelque forme que ce soit sans autorisation écrite du propriétaire. Propriété de c FCI. Droits de reproduction FCI.

A
FCI

All rights strictly reserved. Reproduction or issue to third parties in any form whatever is not permitted without written authority from the proprietor. Property of FCI. Copyright FCI.

B

PRODUCT NUMBER
51750-044..
Note:③

NOTES:

1. DIMENSIONS AND TOLERANCES ARE IN ACCORDANCE WITH ASME Y14.5M, 1994 UNLESS OTHERWISE SPECIFIED.

CONNECTOR NOTES:

② HOUSING MATERIAL: UL 94 V-0 GLASS FILLED HIGH-TEMP THERMOPLASTIC
POWER CONTACT MATERIAL: COPPER ALLOY
SIGNAL PIN MATERIAL: COPPER ALLOY

3. PLATING:
51750-044 Singal Pin:30u"/0.76um Au OVER 50u"/1.27um Ni ON THE CONTACT AREA, AND 100u"/2.54um SnPb PLATING OVER 50u"/1.27um Ni ON THE TERMINATION SECTION.
Power Pin:30u"/0.76um Au OVER 50u"/1.27um Ni ON THE CONTACT AREA, AND 100u"/2.54um SnPb PLATING OVER 50u"/1.27um Ni ON THE TERMINATION SECTION.
51750-044LF Singal Pin:30u"/0.76um Au OVER 50u"/1.27um Ni ON THE CONTACT AREA, AND 78u"/2.00um Sn PLATING OVER 50u"/1.27um Ni ON THE TERMINATION SECTION.
Power Pin:30u"/0.76um Au OVER 50u"/1.27um Ni ON THE CONTACT AREA, AND 78u"/2.00um Sn PLATING OVER 50u"/1.27um Ni ON THE TERMINATION SECTION.

PART NUMBER 51750-044LF MEETS EUROPEAN UNION DIRECTIVE AND OTHER COUNTRY REGULATIONS AS DESCRIBED IN GS-22-008.

THE HOUSING WILL WITHSTAND EXPOSURE TO 260° PEAK TEMPERATURE FOR 10 SECONDS IN A WAVE SOLDER APPLICATION WITH A CIRCUIT BOARD.

④ MANUFACTURER'S NAME, P/N, AND DATE CODE TO APPEAR ON THIS SURFACE.

5. PRODUCT SPECIFICATION GS-12-149. APPLICATION SPECIFICATION BUS-20-067.

6. PACKAGED IN TRAYS.

PCB NOTES:

7. ALL HOLE DIAMETERS ARE FINISHED HOLE SIZE.

⑧ MOUNTING HOLES, WHERE APPLICABLE, ARE UNPLATED.

⑨ $\varnothing .0453 \pm .0010$ [1.151±0.025] DRILLED HOLES PLATED WITH .0003 [0.008] MIN SnPb OVER .001 [0.03] TO .003 [0.08] Cu PLATING TO ACHIEVE $\varnothing .040 \pm .003$ [1.02±.07] HOLE.

⑩ "DIM XXX" TO BE DETERMINED BY THE CUSTOMER.

⑪ CONNECTOR KEEP-OUT ZONE.

mat'l code				SEE NOTE 2				tolerances unless otherwise specified				CUSTOMER				A FCI www.fciconnect.com			
ltr	ecn no.	dr	date	linear	$.XX \pm .01 / 0.X \pm 0.3$			COPY				projection				title			
B					$.XXX \pm .005 / 0.XX \pm 0.13$											2P + 48S + 2P			
				angles	$0 \pm 2^\circ$											VERTICAL PRESS FIT RECEIPT			
				dr	C. DAILY	02/06/03	INCH/MM				product family				PwrBlade				
				enrg	M. MOSTOLLER	02/06/03	scale				size				dwg no				
				chr	M. MOSTOLLER	02/06/03	1:1				A				51750-044				
				appd	M. MOSTOLLER	02/06/03									code				
sheet index		revision sheet																213	
																		4 of 4	

cage code **22526**

Pro/E

PDM: Rev:B

STATUS:Released

Printed: Dec 20, 2010

Mouser Electronics

Authorized Distributor

Click to View Pricing, Inventory, Delivery & Lifecycle Information:

FCI:

[51750-044LF](#) [51750-044](#)