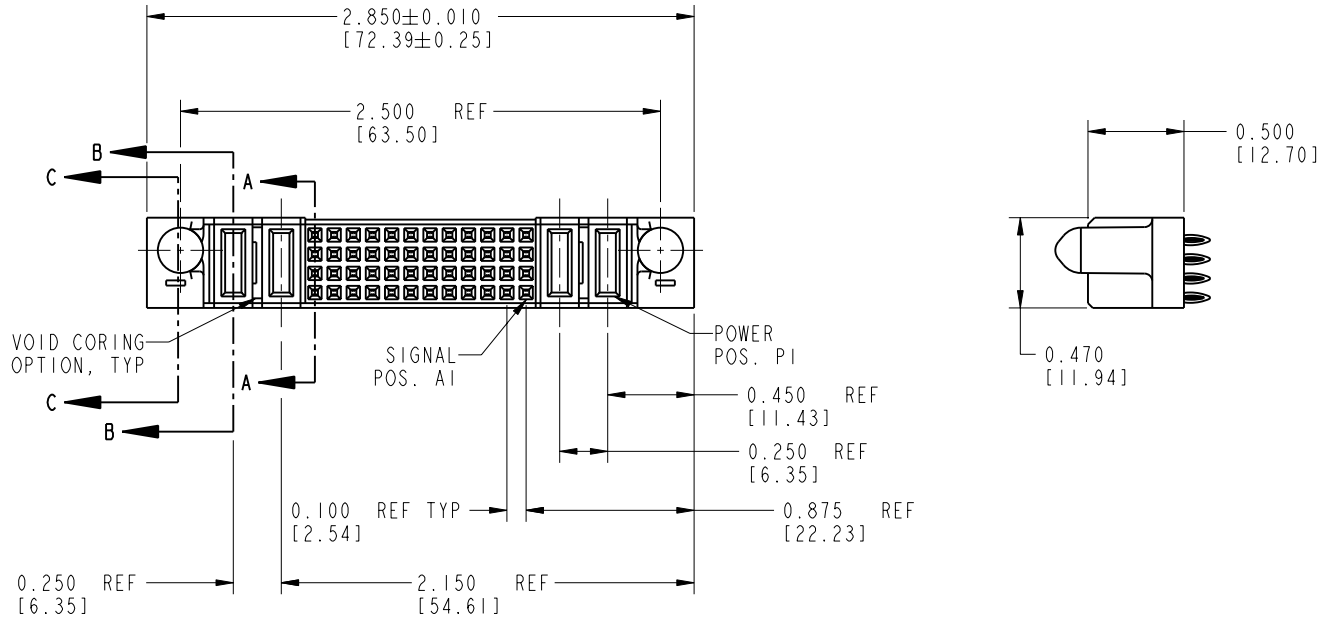


Tous droits strictement réservés. Reproduction ou communication o des liens interdite sous quelque forme que ce soit sans autorisation écrite du propriétaire. Propriété de c FCI. Droits de reproduction FCI.



All rights strictly reserved. Reproduction or issue to third parties in any form, whenever is not permitted without written authority from the proprietor. Property of FCI. Copyright FCI.

PRODUCT No.	ROWS	POWER			SIGNAL									POWER		E1					
		E2	P4	P3	12	11	10	9	8	7	6	5	4	3	2		1	P2	P1		
51750-014-- Note: ③	D C B A		PF	PC	F	F	F	F	F	F	F	F	F	F	F	F	F	F	PC	PF	



CODE	DIM "M"		CONTACT TYPE
	±0.010 [0.25]		
F	N/A	[N/A]	SIGNAL
PC	0.042	[1.07]	POWER
PF	0.092	[2.34]	POWER

mat'l code				NOTE 1		tolerances unless otherwise specified		CUSTOMER		FCI	
ltr	ecn no.	dr	date	linear	.XX±.01/0.X±0.3		COPY		www.fciconnect.com		
A	V10899	JWS	02-22-01		.XXX±.005/0.XX±0.13		projection		title 2P + 48S + 2P VERTICAL PRESS-FIT RECEPTACLE		
B	V10982	JWS	03-08-01		.XXX±.0020/.XXX±.051		INCH/MM		product family PwrBlade code 213		
C	DG05-0181	SJ	06/21/05	angles	0°±2°		scale 1:1		size dwg no A 51750-014 sheet 1 of 4		
D	DG06-0265	JMG	07/03/06	dr	J. SHAFFER	02-22-01					
				engr	J. DODDS	02-22-01					
				chr	J. DODDS	02-22-01					
				appd	J. DODDS	02-22-01					
sheet index	revision sheet	D	D	D	D	D					
		1	2	3	4						

1 | 2

3 |

4

1 | 2

Pro/E

3 |

cage code 22526

4

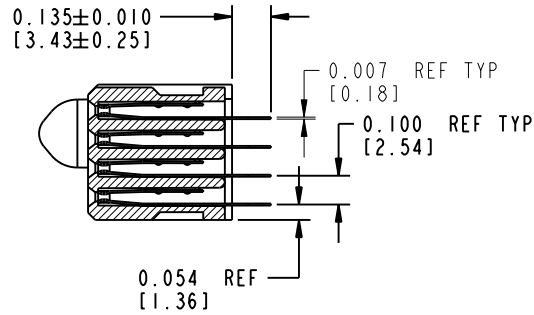
Tous droits strictement réservés. Reproduction ou communication o des liers interdite sous quelque forme que ce soit sans autorisation écrite du propriétaire. Propriete de c FCI. Droits de reproduction FCI.



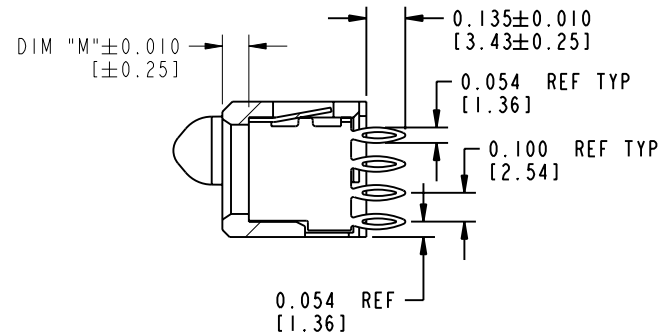
All rights strictly reserved. Reproduction or issue to third parties in any form, whatever is not permitted without written authority from the proprietor. Property of FCI. Copyright FCI.

PRODUCT NUMBER

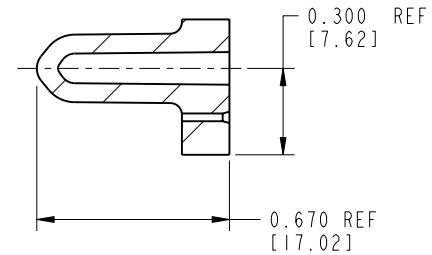
51750-014__
Note: ③



SECTION A-A
SCALE 3:2



SECTION B-B
SCALE 3:2



SECTION C-C
SCALE 3:2

mat'l code		NOTE 1		tolerances unless otherwise specified		CUSTOMER		FCI	
lfr	ecn no.	dr	date	linear	.XX±.01/0.X±0.3	projection	COPY	www.fciconnect.com	
D				angles	.XXX±.005/0.XX±0.13			title	
				dr	.XXX±.0020/.XXX±.051			2P + 48S + 2P	
				enrg	0°±2°	INCH/MM	product family	PwrBlade	code
				chr	J. SHAFFER 02-22-01	scale	size	dwg no	213
				appd	J. DODDS 02-22-01	1:1	A	51750-014	sheet
sheet index	revision sheet								2

Pro/E

cage code 22526

PDM: Rev:D

STATUS: Released

Printed: Dec 20, 2010

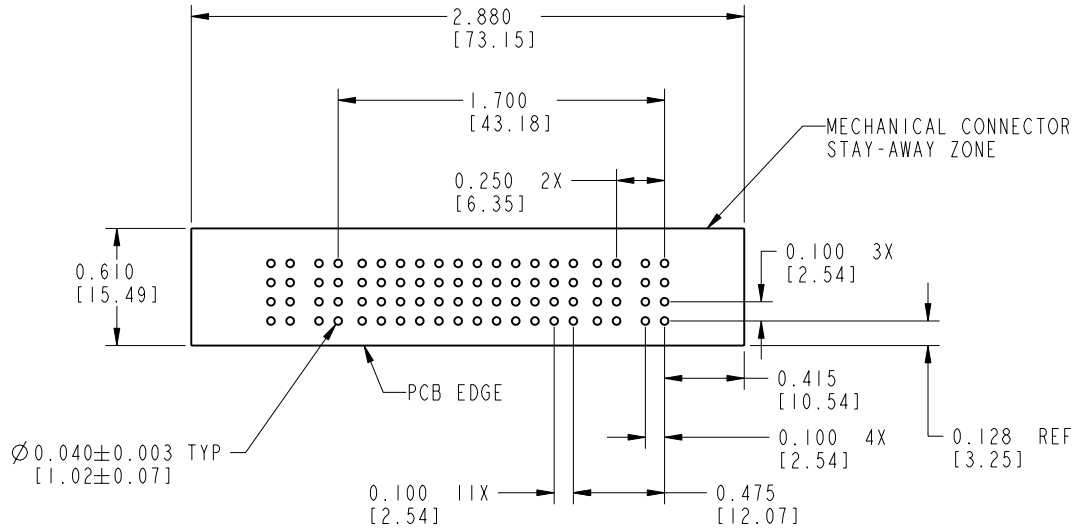
Tous droits strictement réservés. Reproduction ou communication o des liens interdite sous quelque forme que ce soit sans autorisation écrite du propriétaire. Propriété de c FCI. Droits de reproduction FCI.



All rights strictly reserved. Reproduction or issue to third parties in any form whatever is not permitted without written authority from the proprietor. Property of FCI. Copyright FCI.

PRODUCT NUMBER

51750-014__
Note: ③



RECOMMENDED PCB LAYOUT

mat'l code		NOTE 1		tolerances unless otherwise specified		CUSTOMER		FCI	
lfr	ecn no.	dr	date	linear	.XX±.01/0.X±0.3	COPY		www.fciconnect.com	
D				angles	.XXX±.005/0.XX±0.13	projection		title	
					.XXX±.0020/.XXX±.051	INCH/MM		2P + 48S + 2P	
				dr	0°±2°	scale		VERTICAL PRESS-FIT RECEPTACLE	
				enr	J. SHAFFER 02-22-01	1:1		product family	
				chr	J. DODDS 02-22-01			PwrBlade	
				appd	J. DODDS 02-22-01			code	
								213	
sheet index	revision sheet							size	
								dwg no	
								A 51750-014	
								sheet	
								3	

cage code 22526

Pro/E

PDM: Rev:D

STATUS: Released

Printed: Dec 20, 2010

Tous droits strictement réservés. Reproduction ou communication o des liers interdite sous quelque forme que ce soit sans autorisation écrite du propriétaire. Propriete de c FCI. Droits de reproduction FCI.



All rights strictly reserved. Reproduction or issue to third parties in any form whatever is not permitted without written authority from the proprietor. Property of FCI. Copyright FCI.

PRODUCT NUMBER

51750-014__
Note: ③

CONNECTOR NOTES:

1. FOR ADDITIONAL INFORMATION, REFER TO DRAWING NUMBER 51750.

PCB NOTES:

- ALL DIMENSIONS ARE BASIC UNLESS OTHERWISE SPECIFIED.
- 51750-014;51750-014LF;51750-014GLF PLATING SPEC. SEE PRINT:10064183
- ALL THROUGH HOLES ARE LOCATED WITH A TRUE POSITION OF 0.004 [0.10]
- ALL HOLE DIAMETERS ARE FINISHED HOLE SIZE
- $\varnothing 0.0453 \pm 0.0010$ [1.151 \pm 0.025] DRILLED HOLES PLATED WITH 0.0003 [0.008] MIN SnPb OVER 0.001 [0.03] TO 0.003 [0.08] Cu PLATING TO ACHIEVE A $\varnothing 0.040 \pm 0.003$ [1.02 \pm 0.07] HOLE.

CONFIDENTIAL

mat'l code		NOTE 1		tolerances unless otherwise specified		CUSTOMER		FCI		www.fciconnect.com	
lfr	ecr no.	dr	date	linear	.XX±.01/.X±.3	COPY		projection 	title		
D				angles	.XXX±.005/.XX±.13	INCH/MM			2P + 48S + 2P		
				dr	.XXX±.0020/.XXX±.051	scale			VERTICAL PRESS-FIT RECEPTACLE		
				engr	0°±2°	J. SHAFFER	02-22-01	product family		PwrBlade	code
				chr		J. DODDS	02-22-01	size	dwg no	213	
				appd		J. DODDS	02-22-01	A	51750-014	sheet	
				sheet index	revision sheet					4	

cage code 22526

Pro/E

PDM: Rev:D

STATUS: Released

Printed: Dec 20, 2010

Mouser Electronics

Authorized Distributor

Click to View Pricing, Inventory, Delivery & Lifecycle Information:

FCI:

[51750-014LF](#) [51750-014](#)