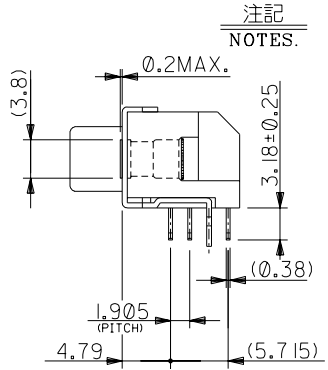
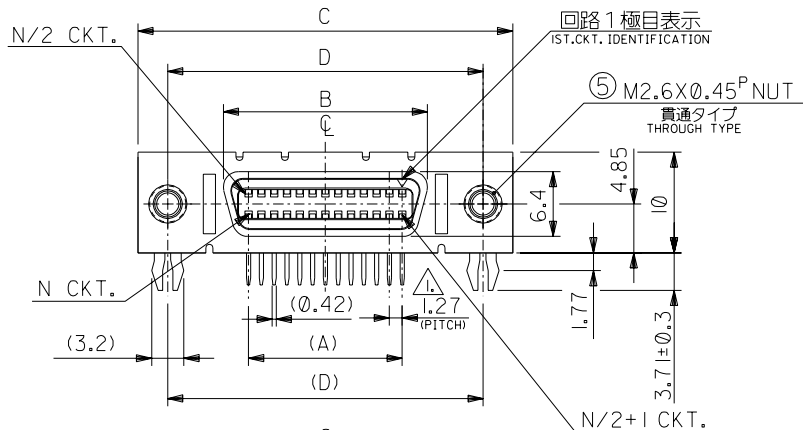
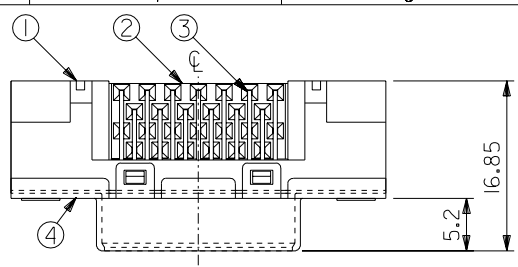


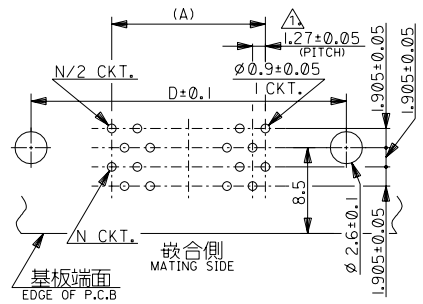
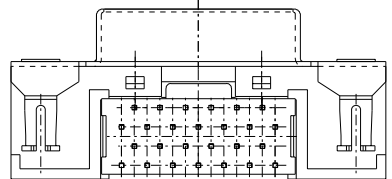
DWG. NO. SD-500815-001



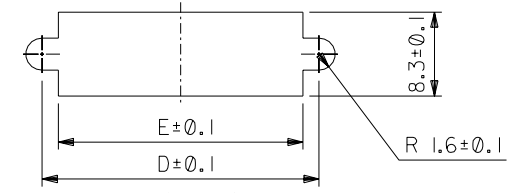
NO.	部品名 PART NAME	材質 MATERIAL	仕上げ FINISH
①	リセプタクル ハウジング RECEPTACLE HOUSING	ガラス入りPBT、黒色、UL94V-0 G.F. PBT, BLACK, UL94V-0	—
②	ガイドプレート GUIDE PLATE	ガラス入りPBT、黒色、UL94V-0 G.F. PBT, BLACK, UL94V-0	—
③	リセプタクル ターミナル RECEPTACLE TERMINAL	りん青銅 PHOSPHOR BRONZE	③
④	シェル SHELL	鋼材 STEEL	下地：ニッケルメッキ UNDER PLATING 仕上げ：半田メッキ FINISH PLATING: Sn-Pb
⑤	ロックナット LOCK NUT	黄銅 COPPER	—

注記
NOTES.

- ① 公差非累積
NON CUMULATIVE TOLERANCE
- 2. 推奨基板厚 $t=1.6\pm0.2$
RECOMMENDED P.C.B. THICKNESS: $t=1.6\pm0.2$
- ③ ターミナル メッキ仕様
TERMINAL PLATING
金メッキ: $0.3\ \mu\text{m}$ MIN. (接点部)
GOLD: $0.3\ \mu\text{m}$ MIN. (CONTACT AREA)
半田メッキ: $1.0\ \mu\text{m}$ MIN. (半田付け部)
TIN-LEAD: $1.0\ \mu\text{m}$ MIN. (SOLDER AREA)
ニッケルメッキ: $1.0\ \mu\text{m}$ MIN. (下地メッキ)
NICKEL: $1.0\ \mu\text{m}$ MIN. (UNDER PLATING)
- 4. パネル締め付けトルク: 29.4~39.2 N・cm (3~4 kgf・cm)
SCREW TIGHTENING TORQUE: 29.4~39.2 N・cm (3~4 kgf・cm)



基板穴推奨寸法 (部品実装側)
RECOMMENDED P.C.B LAYOUT (COMPONENT SIDE)



パネル取り付け穴推奨寸法
RECOMMENDED PANEL OPENING

43.3	46.5	52.4	35.48	30.48	500815-****	500815-5011	50
E	D	C	B	A	MODEL NO.	製品番号 MATERIAL NO.	極数 CKT.

DO NOT SCALE DRAWING

EC NO. DRWN: CHK: APPR:	REVISED EC NO. J2004-3487 DRWN: N.YOSHIDA '04/03/31 CHK: M.YAGI APPR: J.MIYAZAWA	REVISED EC NO. J2004-2516 DRWN: N.YOSHIDA '04/02/20 CHK: M.YAGI APPR: J.MIYAZAWA	REVISED EC NO. J2004-0939 DRWN: N.YOSHIDA '03/10/22 CHK: M.YAGI APPR: J.MIYAZAWA	RELEASED EC NO. J2003-**** DRWN: N.YOSHIDA '03/06/10 CHK: M.YAGI APPR: YO.IITO	DESCRIPTION
WIRE RANGE 適用層線範囲					
INS. RANGE 被覆外径					

MATERIAL 材料		
FINISH 仕上げ		
ANGLE 角度	30°	3°

GENERAL TOLERANCES: (UNLESS SPECIFIED) 一般公差	10 UNDER 未満	±0.2
	10 OVER 30 UNDER 未満	±0.25
	30 OVER 以上	±0.3
RELEASED		

SCALE 2=1	DESIGN UNITS <input checked="" type="checkbox"/> mm <input type="checkbox"/> INCH
DRAWN BY & DATE N. YOSHIDA '03/06/10	TITLE: 1.27 I/O R/A DIP REC. ASS'Y
CHECKED BY & DATE Y. Ito	
APPROVED BY & DATE	
CAD FILENAME SD-500815-001.S01	MATERIAL NO. SEE CHART

DIMENSIONS: <input type="checkbox"/> mm <input type="checkbox"/> INCH		SHT	REV
			REVISE ON CAD ONLY
MOLEX MOLEX INCORPORATED			
CAD FILENAME SD-500815-001.S01	DRAWING NO. SD-500815-001	SHEET NO. 1 OF 1	

THIS DRAWING CONTAINS INFORMATION THAT IS PROPRIETARY TO MOLEX INCORPORATED AND SHOULD NOT BE USED WITHOUT WRITTEN PERMISSION.

SD-500815-001.501