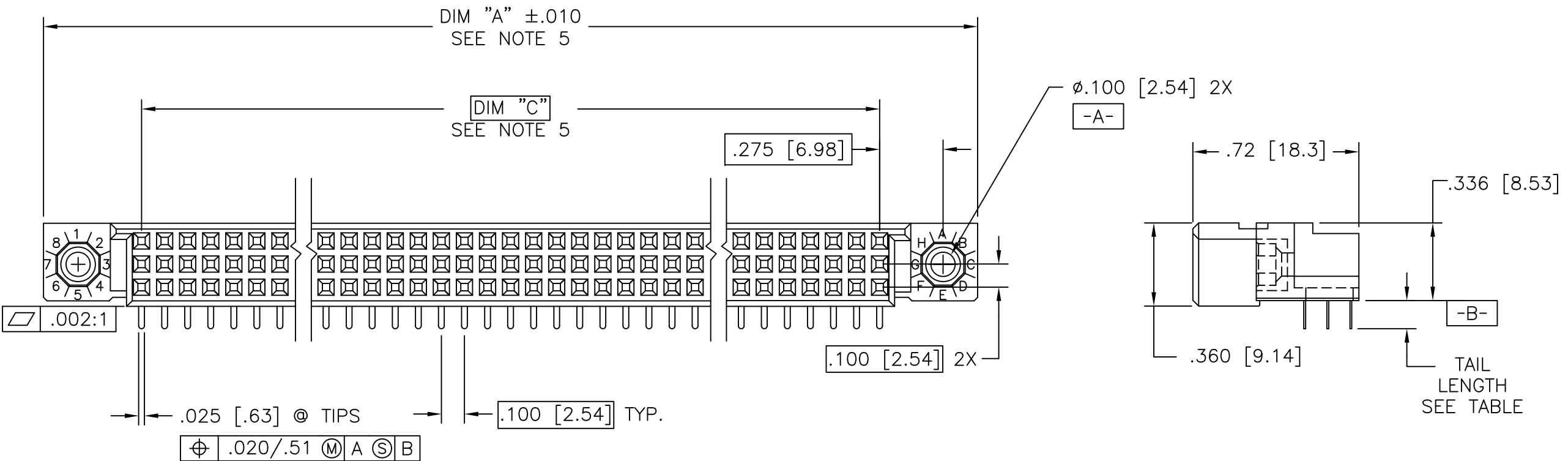
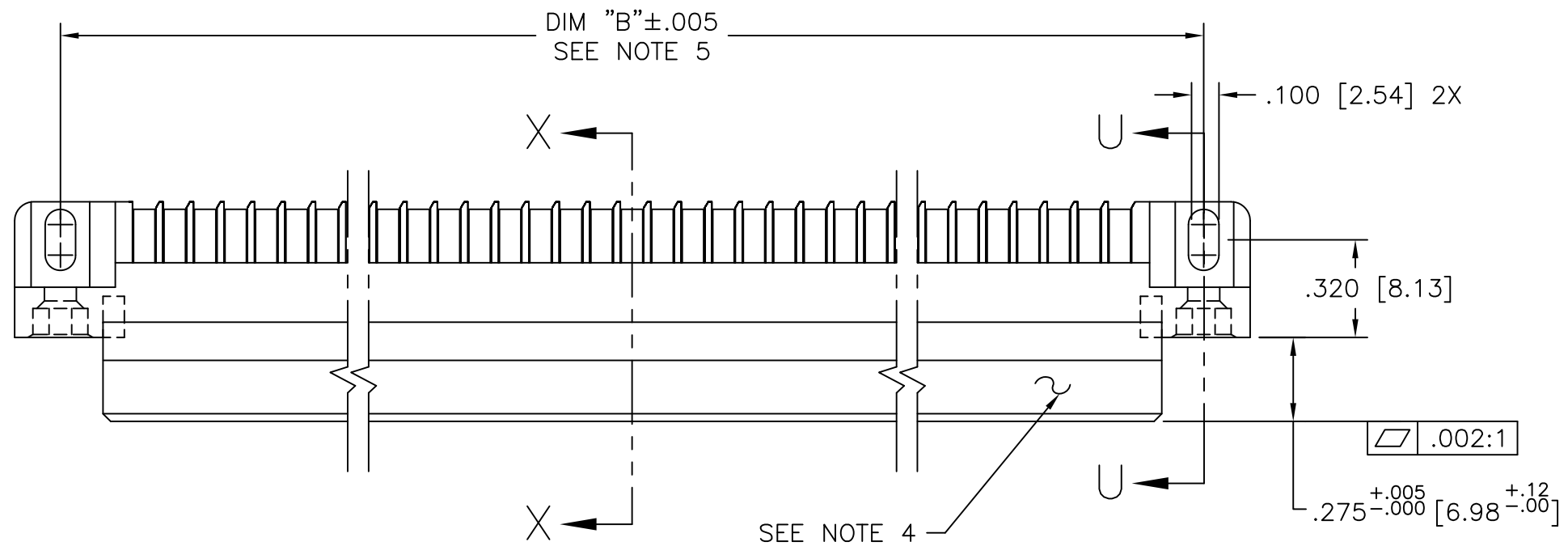
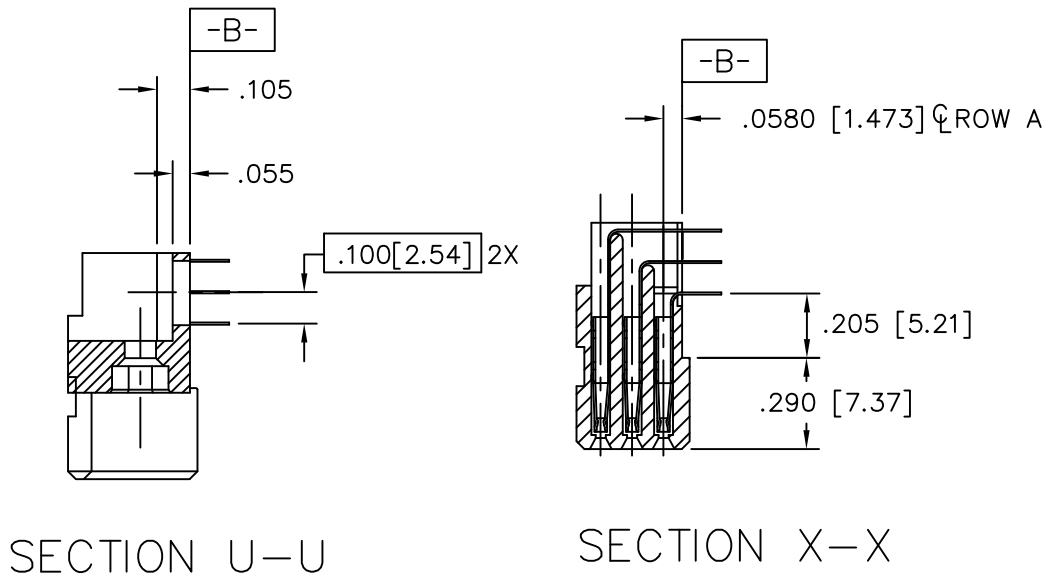


PRODUCT NUMBER  
SEE NOTE 1



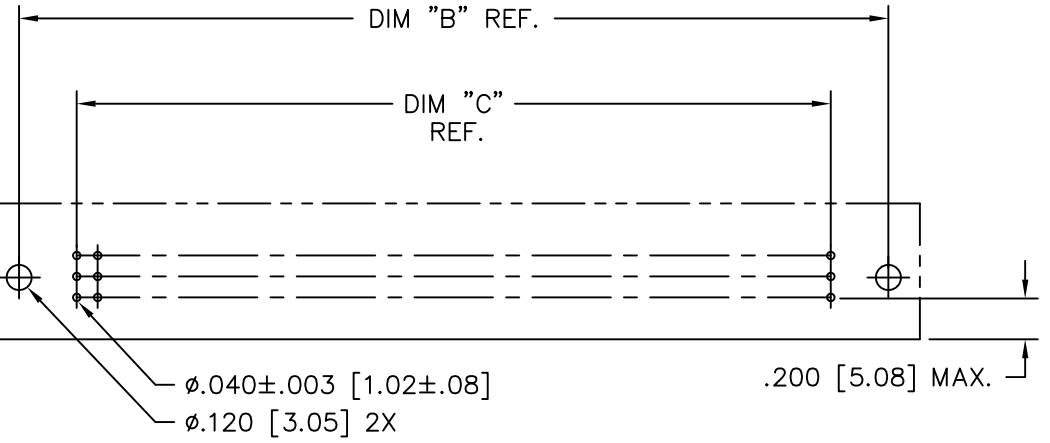
|                       |             |                       |          |                                       |             |   |  |  |  |
|-----------------------|-------------|-----------------------|----------|---------------------------------------|-------------|---|--|--|--|
| mat'l. code<br>NOTE 3 |             | surface<br>ISO 1302 ✓ |          | tolerance<br>ISO 406<br>ISO 1101      |             | projection<br>INCH/MM   |  | product family<br>HPC                            |  |
| ltr                   | ecn no      | dr                    | date     | tolerances unless otherwise specified |             | INCH/MM   |  | title  |  |
| U                     | ELX-I-25169 | MJA                   | 10/19/16 | angles                                | linear      | .XX ±.01/.XX±0.3<br>.XXX ±.005/.XXX±0.13<br>.XXXX ±.0020/.XXX±0.051 |  | 3 ROW R/A RECEPTACLE<br>SOLDER TAIL, 0 GUIDE PIN |  |
| N                     | v05-0700    | DAU                   | 8/25/05  | σ±2'                                  |             | scale 1:1   |  | dwg no<br>50000                                  |  |
| P                     | M06-0255    | AEA                   | 7/06/06  | dr                                    | D. SHEAFFER | 1/04/90   |  | sheet 1 of 4 size<br>A3                          |  |
| R                     | M07-0331    | AGS                   | 7/18/07  | enr                                   | S. CLARK    | 1/04/90   |  | type<br>Product Customer Drawing                 |  |
| S                     | M07-0183    | MHT                   | 7/02/08  | chr                                   | M JACOB     | 10/19/16  |  |  |  |
| T                     | M08-0280    | AGS                   | 30/09/08 | appd                                  | BIJU K PAUL | 10/19/16  |  |  |  |
| sheet                 | revision    | U                     | T        | U                                     | T           |   |  |  |  |
| index                 | sheet       | 1                     | 2        | 3                                     | 4           |   |  |  |  |

PRODUCT NUMBER  
SEE TABLE



SECTION U-U

SECTION X-X



RECOMMENDED PCB LAYOUT  
(ALL HOLES LOCATED ON .100 [2.54] GRID UNLESS OTHERWISE SPECIFIED)

NOTES:  
① PRODUCT NUMBERING CODE:  
50000 - X YYY Z LF  
LEAD FREE (OPTIONAL)  
TAIL LENGTH (SEE TABLE)  
NO. OF POSITIONS (SEE NOTE 2)  
PLATING (SEE TABLE)  
BASE NUMBER

PRODUCT NUMBERING CODE FOR SELECT LOAD PART NUMBERS:  
50000 - XXYYY LF  
LEAD FREE (OPTIONAL)  
SEQUENCE NUMBER  
ALWAYS 'XX'  
BASE NUMBER

- ② THIS PRODUCT IS CONFIGURED IN SIZES OF 6 THRU 80 COLUMNS IN INCREMENTS OF ONE. i.e.: 6,7,8,9.....79,80.
- ③ HOUSING MATERIAL: GLASS AND MINERAL FILLED THERMOPLASTIC. FLAME RETARDANT PER UL94V-O. COLOR: BLACK CONTACT MATERIAL: BeCu
- ④ COMPANY NAME, PART NUMBER AND LOT CODE TO APPEAR ON THIS SURFACE PER BUS-12-108.
- ⑤ LENGTH FORMULAS:  
DIM A =  $.100/2.54 \times \text{NO. OF COLUMNS} + .75/19.1$   
DIM B =  $.100/2.54 \times \text{NO. OF COLUMNS} + .450/11.43$   
DIM C =  $.100/2.54 \times \text{NO. OF COLUMNS} - .100/2.54$
- ⑥ PRODUCT WITH "LF" SUFFIX MEETS EUROPEAN UNION DIRECTIVES AND OTHER COUNTRY REGULATIONS AS DESCRIBED IN GS-22-008.
- 7. THIS HOUSING WILL WITHSTAND EXPOSURE TO 260° C PEAK TEMPERATURE FOR 10-30 SECONDS IN A CONVECTION, INFRA-RED OR VAPOR PHASE REFLOW OVEN.
- ⑧ PLATING OPTIONS:  
MAY BE EITHER GOLD OR GXT PLATED AT MANUFACTURE'S OPTION

|                       |        |                       |                                  |  |   |
|-----------------------|--------|-----------------------|----------------------------------|--|---|
| mat'l. code<br>NOTE 3 |        | surface<br>ISO 1302 ✓ | tolerance<br>ISO 406<br>ISO 1101 | projection<br>   | product family<br>HPC                                     |
| ltr                   | ecn no | dr                    | date                             | tolerances unless otherwise specified                                    | title<br>3 ROW R/A RECEPTACLE<br>SOLDER TAIL, 0 GUIDE PIN |
| T                     |        |                       |                                  | linear<br>XX ±.01/XX±0.3<br>XXX ±.005/XXX±0.13<br>XXXX ±.0020/XXXX±0.051 |   |
|                       |        |                       |                                  | angles<br>σ±2°   | INCH/MM<br>scale 1:1                                      |
| sheet index           |        | revision sheet        |                                  |  | dwg no<br>50000<br>sheet 2 of 4 size<br>A3                |
|                       |        |                       |                                  |  | type<br>Product Customer Drawing                          |
|                       |        |                       |                                  |  |   |

| PRODUCT NUMBER<br>NOTE 1 | NUMBER OF<br>POSITIONS<br>NOTE 2 | TAIL LENGTH         | SOLDER TAIL<br>PLATING | CONTACT<br>PLATING<br>(NOTE 8) |
|--------------------------|----------------------------------|---------------------|------------------------|--------------------------------|
| 50000-1YYYYE             | YYY                              | .125±.010/3.18±0.25 | TIN-LEAD               | 30u"/0.76um Au                 |
| 50000-1YYYYELF           | YYY                              | .125±.010/3.18±0.25 | TIN                    | 30u"/0.76um Au                 |
| 50000-1YYYYF             | YYY                              | .145±.010/3.68±0.25 | TIN-LEAD               | 30u"/0.76um Au                 |
| 50000-1YYYYH             | YYY                              | .180±.010/4.57±0.25 | TIN-LEAD               | 30u"/0.76um Au                 |
| 50000-1YYYYHLF           | YYY                              | .180±.010/4.57±0.25 | TIN                    | 30u"/0.76um Au                 |
| 50000-1YYYYZ             | YYY                              | .220±.010/5.59±0.25 | TIN-LEAD               | 30u"/0.76um Au                 |
| 50000-3YYYYE             | YYY                              | .125±.010/3.18±0.25 | TIN-LEAD               | 50u"/1.27um Au                 |
| 50000-3YYYYF             | YYY                              | .145±.010/3.68±0.25 | TIN-LEAD               | 50u"/1.27um Au                 |
| 50000-3YYYYH             | YYY                              | .180±.010/4.57±0.25 | TIN-LEAD               | 50u"/1.27um Au                 |
| 50000-3YYYYZ             | YYY                              | .220±.010/5.59±0.25 | TIN-LEAD               | 50u"/1.25um Au                 |
| 50000-5YYYYE             | YYY                              | .125±.010/3.18±0.25 | TIN-LEAD               | 30u"/0.76um GXT                |
| 50000-5YYYYELF           | YYY                              | .125±.010/3.18±0.25 | TIN                    | 30u"/0.76um GXT                |
| 50000-5YYYYF             | YYY                              | .145±.010/3.68±0.25 | TIN-LEAD               | 30u"/0.76um GXT                |
| 50000-5YYYYFLF           | YYY                              | .145±.010/3.68±0.25 | TIN                    | 30u"/0.76um GXT                |
| 50000-5YYYYH             | YYY                              | .180±.010/4.57±0.25 | TIN-LEAD               | 30u"/0.76um GXT                |
| 50000-5YYYYHLF           | YYY                              | .180±.010/4.57±0.25 | TIN                    | 30u"/0.76um GXT                |
| 50000-5YYYYZ             | YYY                              | .220±.010/5.59±0.25 | TIN-LEAD               | 30u"/0.76um GXT                |
| 50000-5YYYYZLF           | YYY                              | .220±.010/5.59±0.25 | TIN                    | 30u"/0.76um GXT                |

Amphenol  
FCi

Copyright AFci

|                       |                |                       |                                  |   |   |
|-----------------------|----------------|-----------------------|----------------------------------|---|---|
| mat'l. code<br>NOTE 3 |                | surface<br>ISO 1302 ✓ | tolerance<br>ISO 406<br>ISO 1101 | projection<br>  | product family<br>HPC                                     |
| ltr                   | ecn no         | dr                    | date                             | tolerances unless otherwise specified                                       | title<br>3 ROW R/A RECEPTACLE<br>SOLDER TAIL, 0 GUIDE PIN |
| U                     |                |                       |                                  | linear<br>.XX ±.01/.X±0.3<br>.XXX ±.005/.XX±0.13<br>.XXXX ±.0020/.XXX±0.051 |   |
|                       |                |                       |                                  | angles<br>σ±2°  |   |
|                       |                |                       |                                  | dr D. SHEAFFER 1/04/90  | scale 1:1   |
|                       |                |                       |                                  | enr S. CLARK 1/04/90  | Amphenol<br>FCi   |
|                       |                |                       |                                  | chr M JACOB 10/19/16  |   |
|                       |                |                       |                                  | appd BIJU K PAUL 10/19/16   | dwg no<br>50000   |
| sheet index           | revision sheet |                       |                                  |   | sheet 3 of 4 size<br>A3                                   |
|                       |                |                       |                                  |   | type Product Customer Drawing                             |

PRODUCT NUMBER  
SEE TABLE

# 50000-XX001 OR 50000-XX001LF ONLY

|          |    |   |    |   |    |   |    |   |    |
|----------|----|---|----|---|----|---|----|---|----|
|          | 55 |   | 50 |   | 45 |   | 40 |   | 36 |
| <u>C</u> | C  | C | C  | C | C  | C | C  | C | C  |
| <u>B</u> |    | B | B  | B | B  | B | B  | B | B  |
| <u>A</u> | A  | A | A  | A | A  | A | A  | A | A  |

|          |    |   |    |   |    |   |    |   |    |   |    |   |   |   |   |
|----------|----|---|----|---|----|---|----|---|----|---|----|---|---|---|---|
|          | 35 |   | 30 |   | 25 |   | 20 |   | 15 |   | 10 |   | 5 |   | 1 |
| <u>C</u> | C  | C | C  | C | C  | C | C  | C | C  | C | C  | C | C | C | C |
| <u>B</u> |    |   |    |   |    |   |    |   |    |   |    |   | B | B | B |
| <u>A</u> | A  | A | A  | A | A  | A | A  | A | A  | A | A  | A | A | A | A |

NOTES FOR 50000-XX001 OR 50000-XX001LF ONLY:

- ALL POSITIONS ARE LOADED AS SHOWN.
- COLUMN 1, ROW A IS DESIGNATED AS SIGNAL TERM. 1, AS VIEWED FROM THE MATING FACE.
- SIGNAL DATA FOR 50000-XX001 OR 50000-XX001LF  
 SIZE 3 X 55  
 TOTAL NUMBER OF POSITIONS: 165  
 TOTAL NUMBER OF POSITIONS LOADED: 107

| ITEM KEY | QTY. | TAIL LENGTH        |
|----------|------|--------------------|
| A        | 45   | .180±.010/4.57±.25 |
| B        | 17   | .180±.010/4.57±.25 |
| C        | 45   | .180±.010/4.57±.25 |

|                       |        |                       |                                  |  |   |
|-----------------------|--------|-----------------------|----------------------------------|--|---|
| mat'l. code<br>NOTE 3 |        | surface<br>ISO 1302 ✓ | tolerance<br>ISO 406<br>ISO 1101 | projection<br>   | product family<br>HPC                                     |
| ltr                   | ecn no | dr                    | date                             | tolerances unless otherwise specified                                    | title<br>3 ROW R/A RECEPTACLE<br>SOLDER TAIL, 0 GUIDE PIN |
| T                     |        |                       |                                  | linear<br>.XX ±.01/XX±0.3<br>.XXX ±.005/XX±0.13<br>.XXX ±.0020/XXX±0.051 |   |
|                       |        |                       |                                  | angles<br>σ±2°   | INCH/MM<br>scale 1:1                                      |
| sheet index           |        | revision sheet        | dr D. SHEAFFER 1/04/90           |  | dwg no 50000 sheet 4 of 4 size A3                         |
|                       |        |                       | enr S. CLARK 1/04/90             |  | Amphenol<br>FCi   |
|                       |        |                       | chr S. CLARK 1/04/90             |  |   |
|                       |        |                       | appd S. CLARK 1/04/90            |  | type Product Customer Drawing                             |

# Mouser Electronics

Authorized Distributor

Click to View Pricing, Inventory, Delivery & Lifecycle Information:

## [FCI / Amphenol:](#)

[50000-1096ELF](#) [50000-5096ELF](#) [50000-5150HLF](#) [50000-5195ELF](#) [50000-5225ELF](#) [50000-XX001LF](#) [50000-1096E](#)  
[50000-1225E](#) [50000-5096E](#) [50000-5048ELF](#) [50000-5120HLF](#) [50000-5147ELF](#) [50000-5153FLF](#) [50000-5165ELF](#)  
[50000-5195HLF](#) [50000-5225FLF](#) [50000-5240ELF](#) [50000-5240HLF](#) [50000-5252HLF](#) [50000-1036E](#) [50000-1048Z](#)  
[50000-1144E](#) [50000-5018E](#) [50000-5030H](#) [50000-5036E](#) [50000-5054E](#) [50000-1144Z](#) [50000-5030ELF](#)